



US00D868150S

(12) **United States Design Patent** (10) **Patent No.:** **US D868,150 S**
Inada et al. (45) **Date of Patent:** **** Nov. 26, 2019**

(54) **PRINTER**

D805,578 S * 12/2017 Mita D18/55
D822,760 S * 7/2018 Xia D18/50
D826,318 S * 8/2018 Brown D18/50

(Continued)

(71) Applicant: **BROTHER INDUSTRIES, LTD.**,
Nagoya-shi, Aichi-ken (JP)

FOREIGN PATENT DOCUMENTS

(72) Inventors: **Toshiya Inada**, Nagoya (JP);
Masayoshi Mita, Nagoya (JP)

JP D1542792 * 2/2016
WO D091749-005 * 7/2016

(73) Assignee: **BROTHER INDUSTRIES, LTD.**,
Nagoya (JP)

OTHER PUBLICATIONS

(**) Term: **15 Years**

PC World. Link: <https://www.pcworld.com/article/2067000/brother-mfc-j6920dw-review-a-fast-capable-mfp-stuck-with-mediocre-print-quality.html>. Dec. 5, 2013. Brother MFC-J6920dw review: a fast, capable MFP stuck with mediocre print quality. (Year: 2013).*

(21) Appl. No.: **29/664,734**

(22) Filed: **Sep. 27, 2018**

Primary Examiner — Susan Bennett Hattan

Assistant Examiner — Lauren D McVey

(30) **Foreign Application Priority Data**

Mar. 29, 2018 (JP) 2018-006860

(74) *Attorney, Agent, or Firm* — Oliff PLC

(51) **LOC (12) Cl.** **14-02**

(57) **CLAIM**

(52) **U.S. Cl.**
USPC **D18/55; D18/50**

The ornamental design for a printer, as shown and described.

(58) **Field of Classification Search**
USPC D18/55, 50, 53, 54, 56, 59, 36, 37, 38,
D18/39, 40, 41, 45, 49; D14/121, 301,
D14/307

DESCRIPTION

CPC H04N 1/00204; H04N 1/00249; H04N
1/00278; G06K 15/12; G06K 15/14; B41J
3/00; B41J 3/28; B41J 3/445; B41J 3/46
See application file for complete search history.

FIG. 1 is a left-side perspective view of the printer;
FIG. 2 is a front view thereof;
FIG. 3 is a top view thereof;
FIG. 4 is a left-side view thereof;
FIG. 5 is a right-side view thereof;
FIG. 6 is a rear view thereof;
FIG. 7 is a bottom view thereof; and,
FIG. 8 is a cross-section taken in the direction of line 8-8 in
FIG. 2.

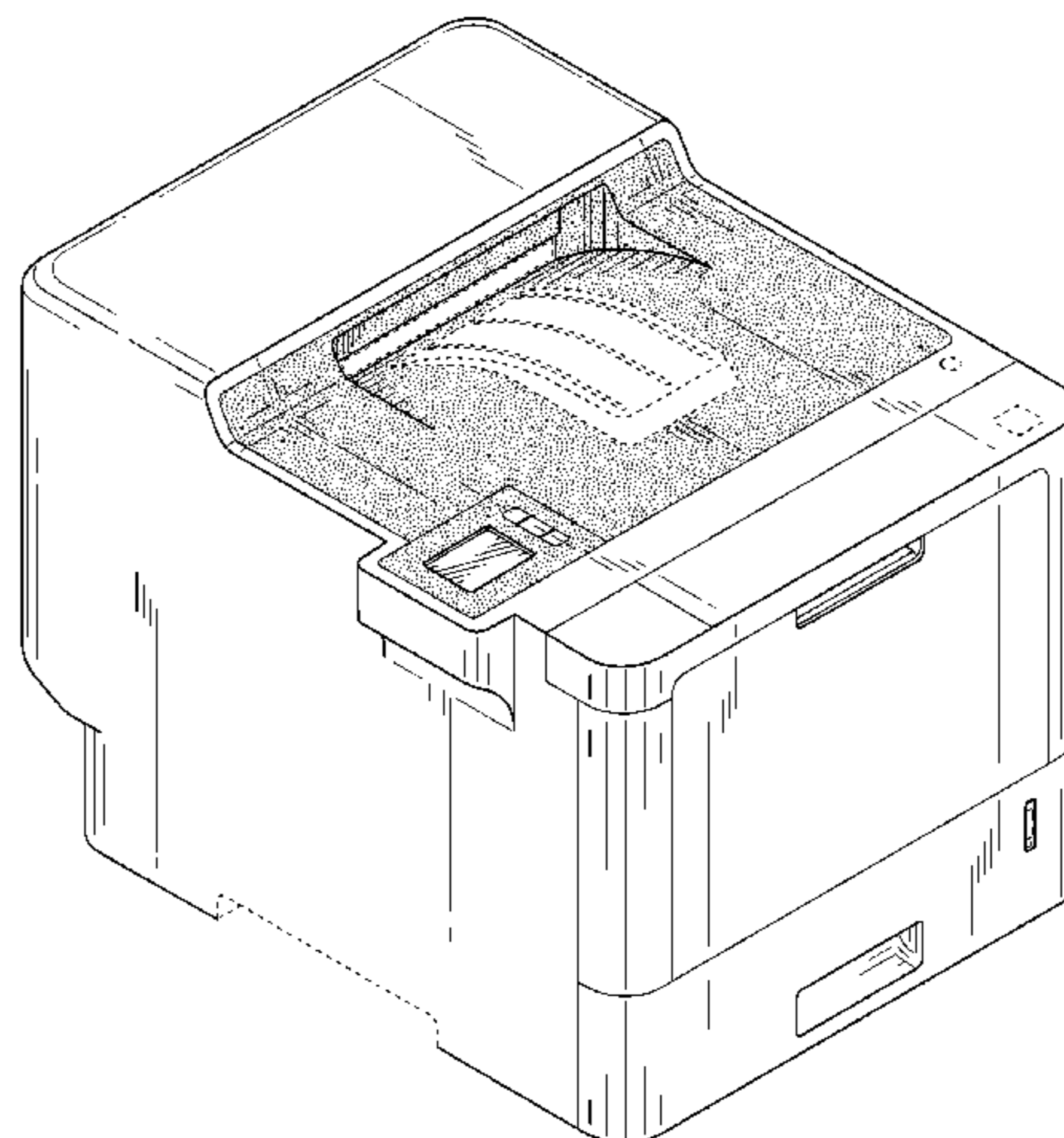
(56) **References Cited**

U.S. PATENT DOCUMENTS

D554,698 S * 11/2007 Miller D18/55
D653,704 S * 2/2012 Seki D18/55
D698,862 S * 2/2014 Nanno D18/55
D749,169 S * 2/2016 Kil D18/55
D749,170 S * 2/2016 Nakagawa D18/55
D749,172 S * 2/2016 Nakagawa D18/55
D786,343 S * 5/2017 Kil D18/55
D800,125 S * 10/2017 Yin D14/422

The broken lines immediately adjacent the shaded areas depict the bounds of the claimed design, while all other broken lines are directed to portions of the printer that form no part of the claim. The broken lines form no part of the claimed design. The stipple shading as used in this application is a drafting convention used to show a contrast with adjacent surfaces.

1 Claim, 8 Drawing Sheets



(56)

References Cited

U.S. PATENT DOCUMENTS

D826,319 S * 8/2018 Inada D18/50
2018/0060707 A1 * 3/2018 Yoshida B65H 5/062

* cited by examiner

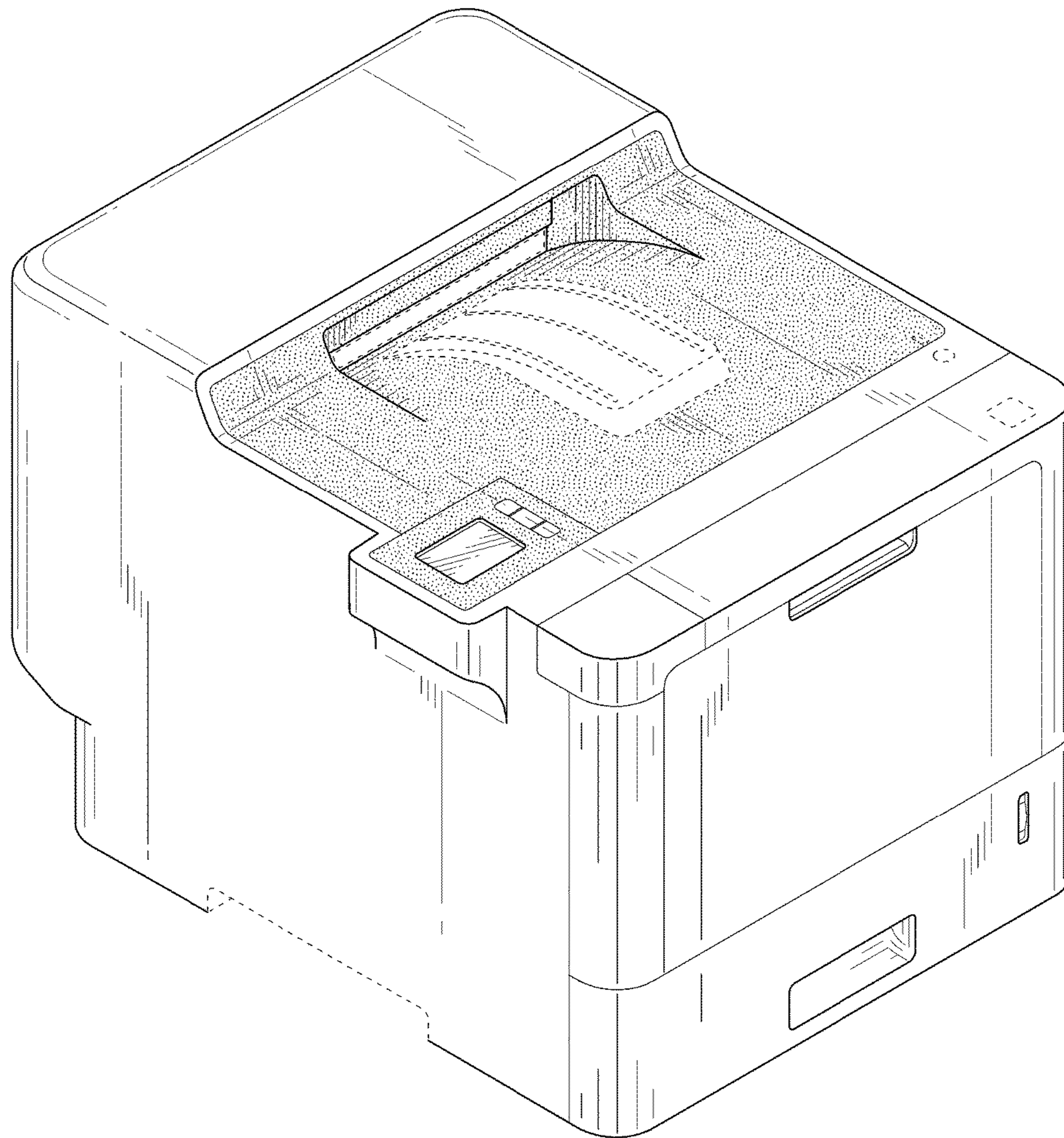


FIG. 1

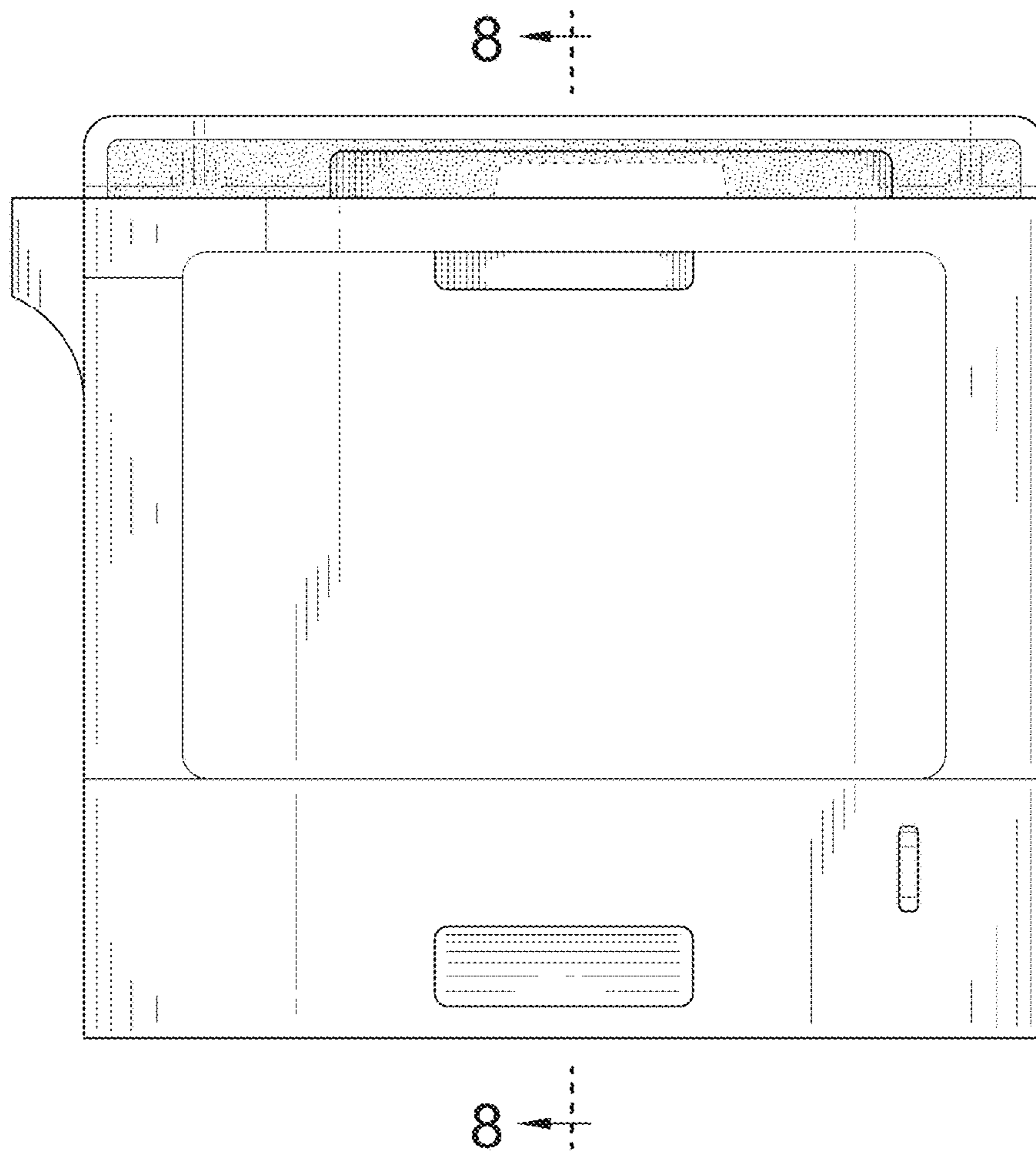


FIG. 2

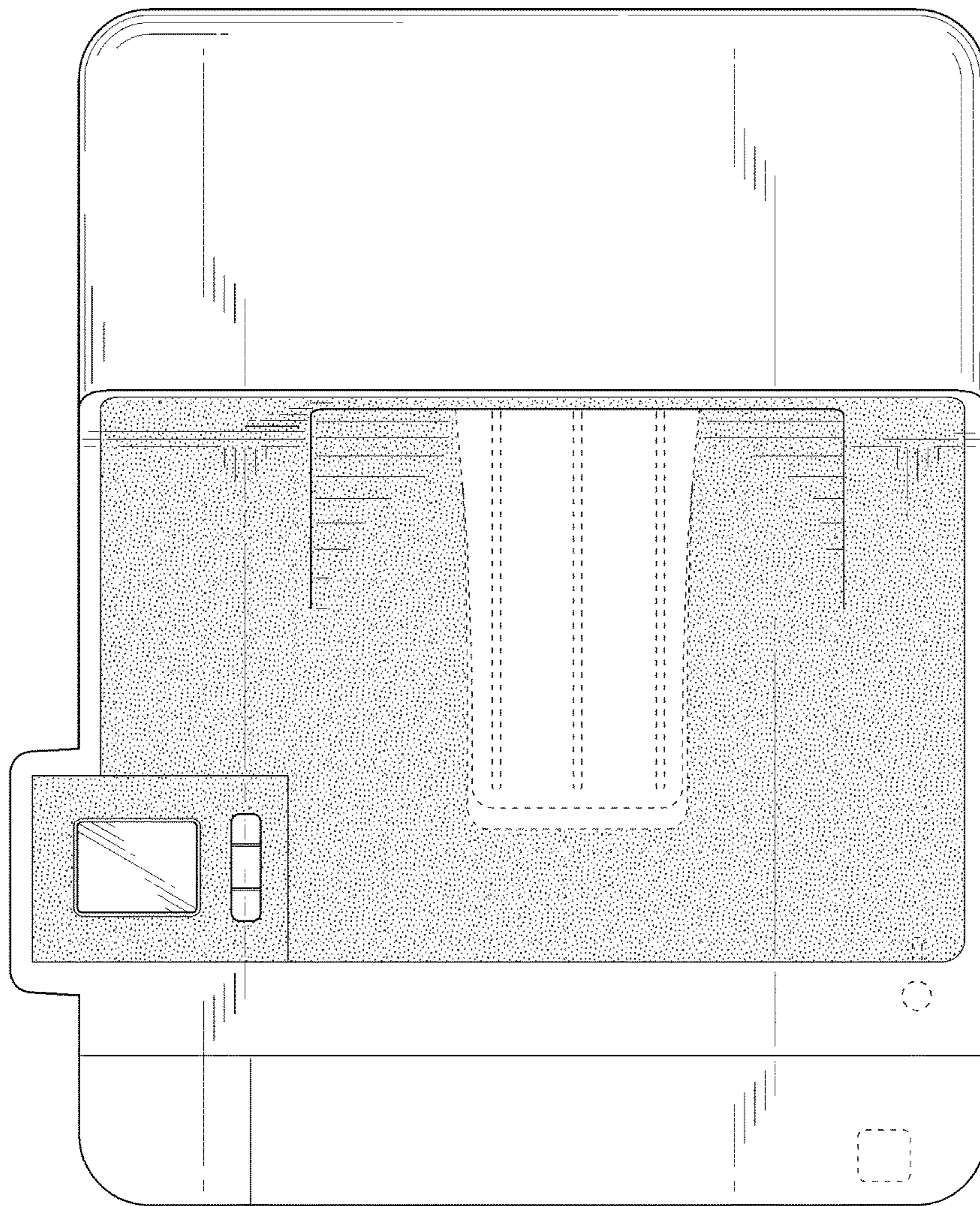


FIG. 3

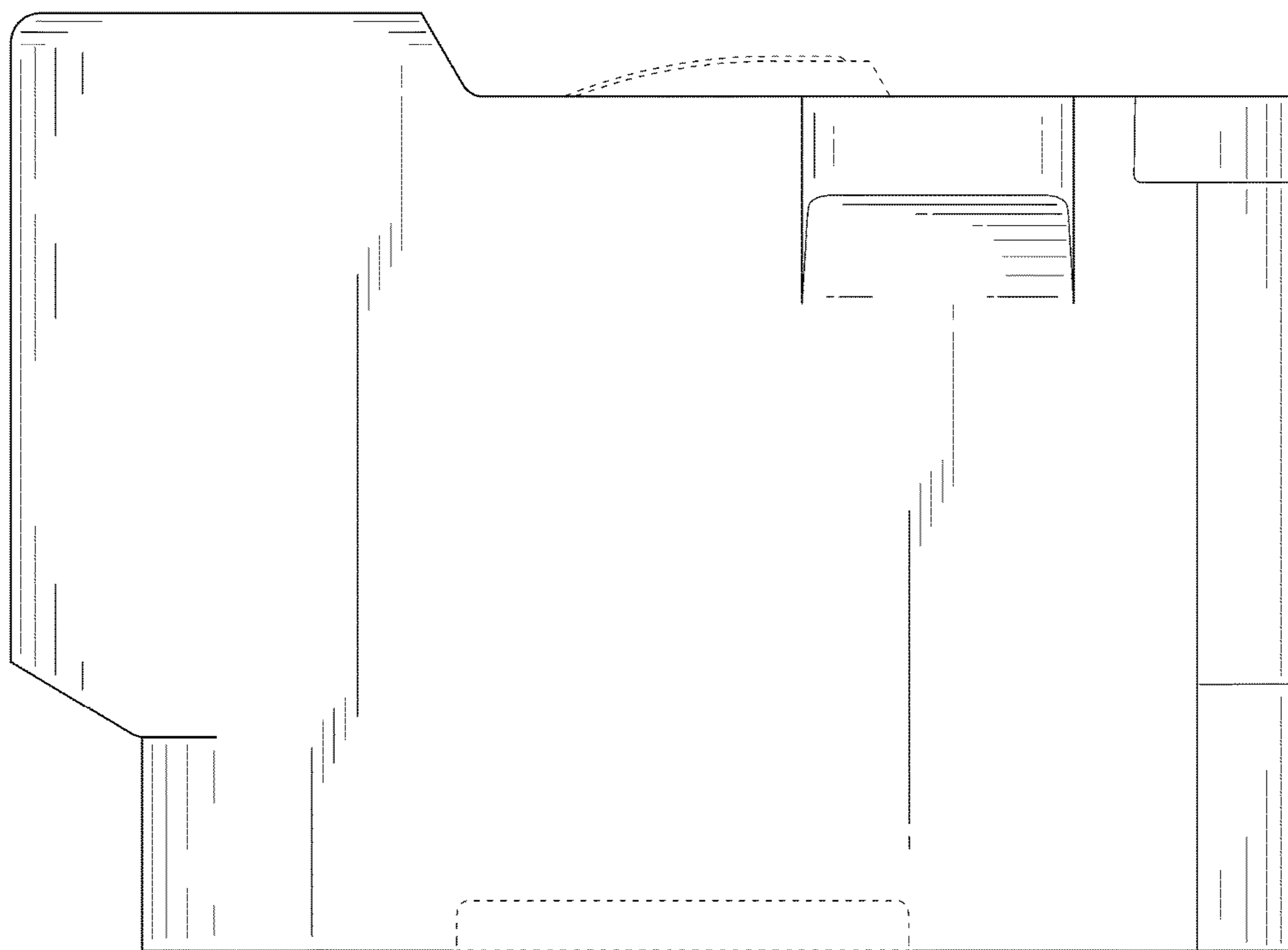


FIG. 4

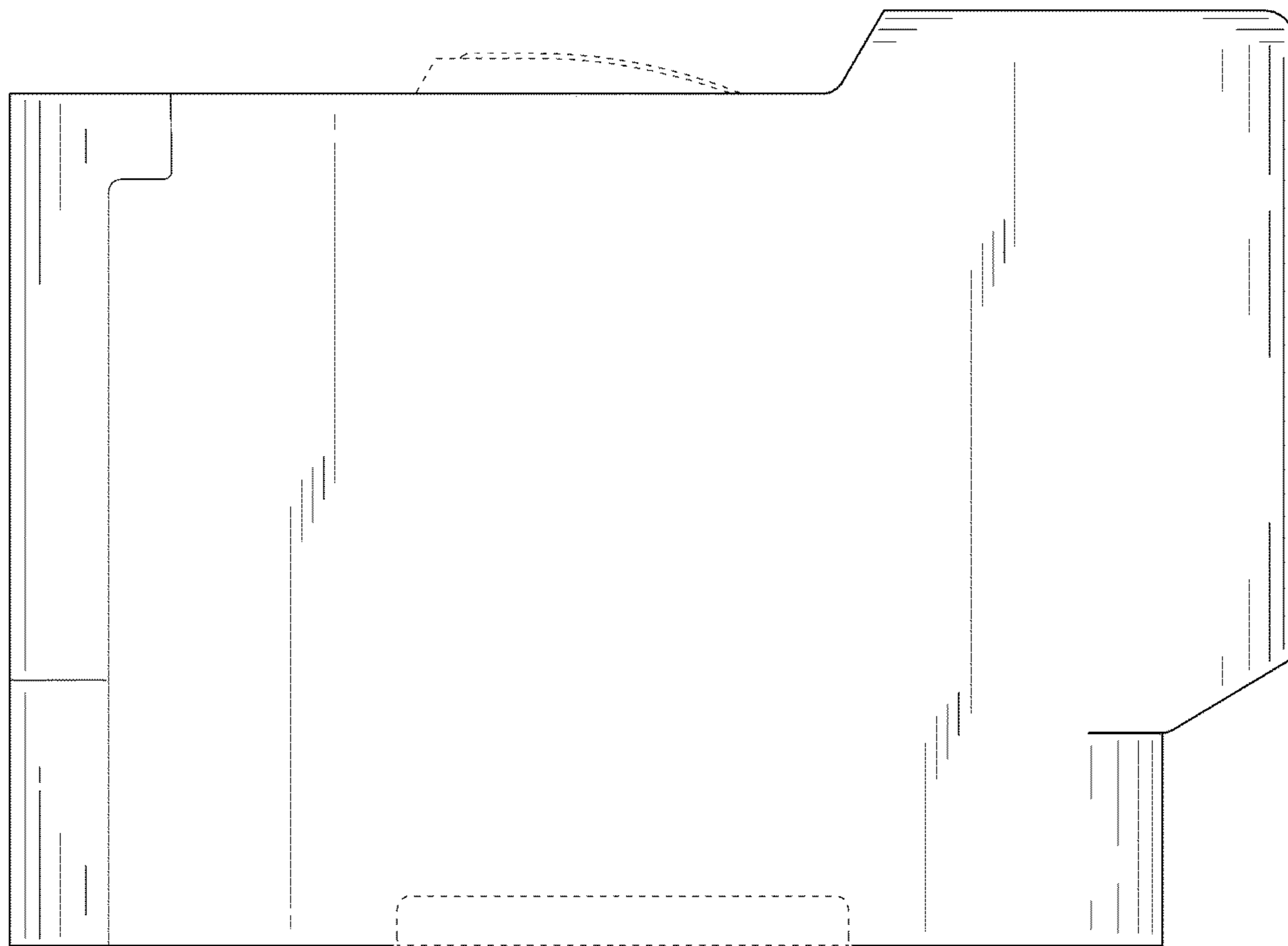


FIG. 5

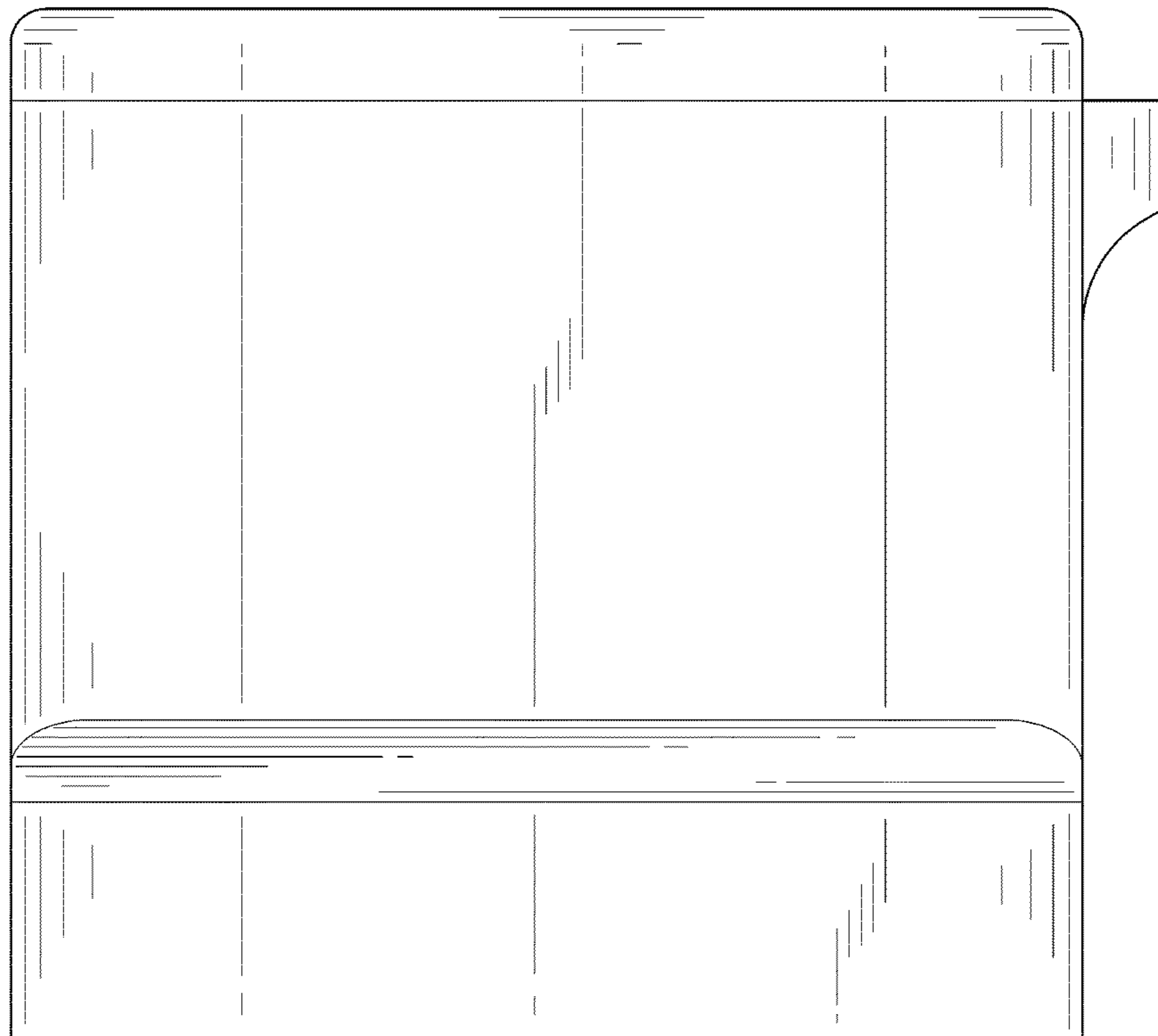


FIG. 6

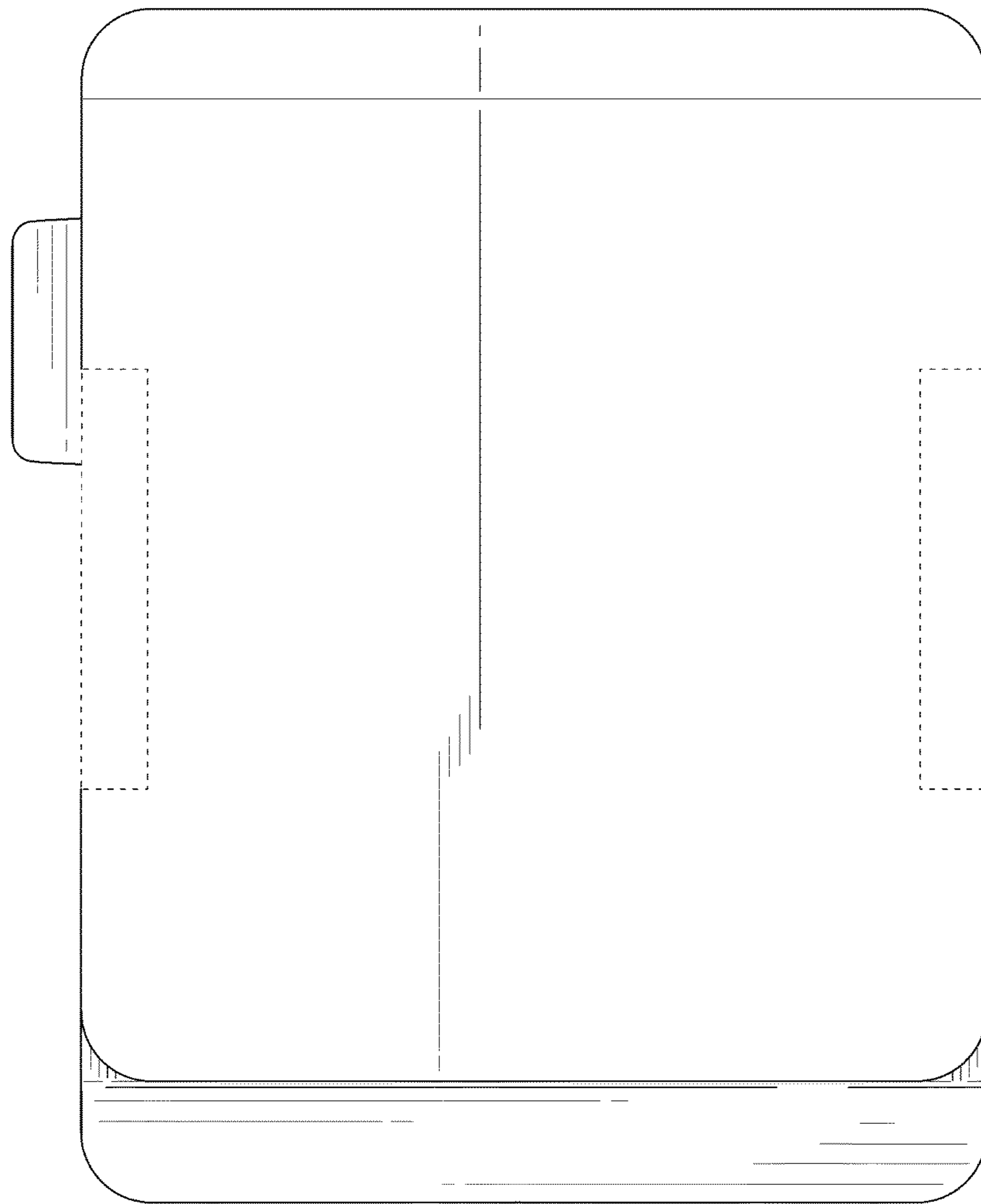


FIG. 7

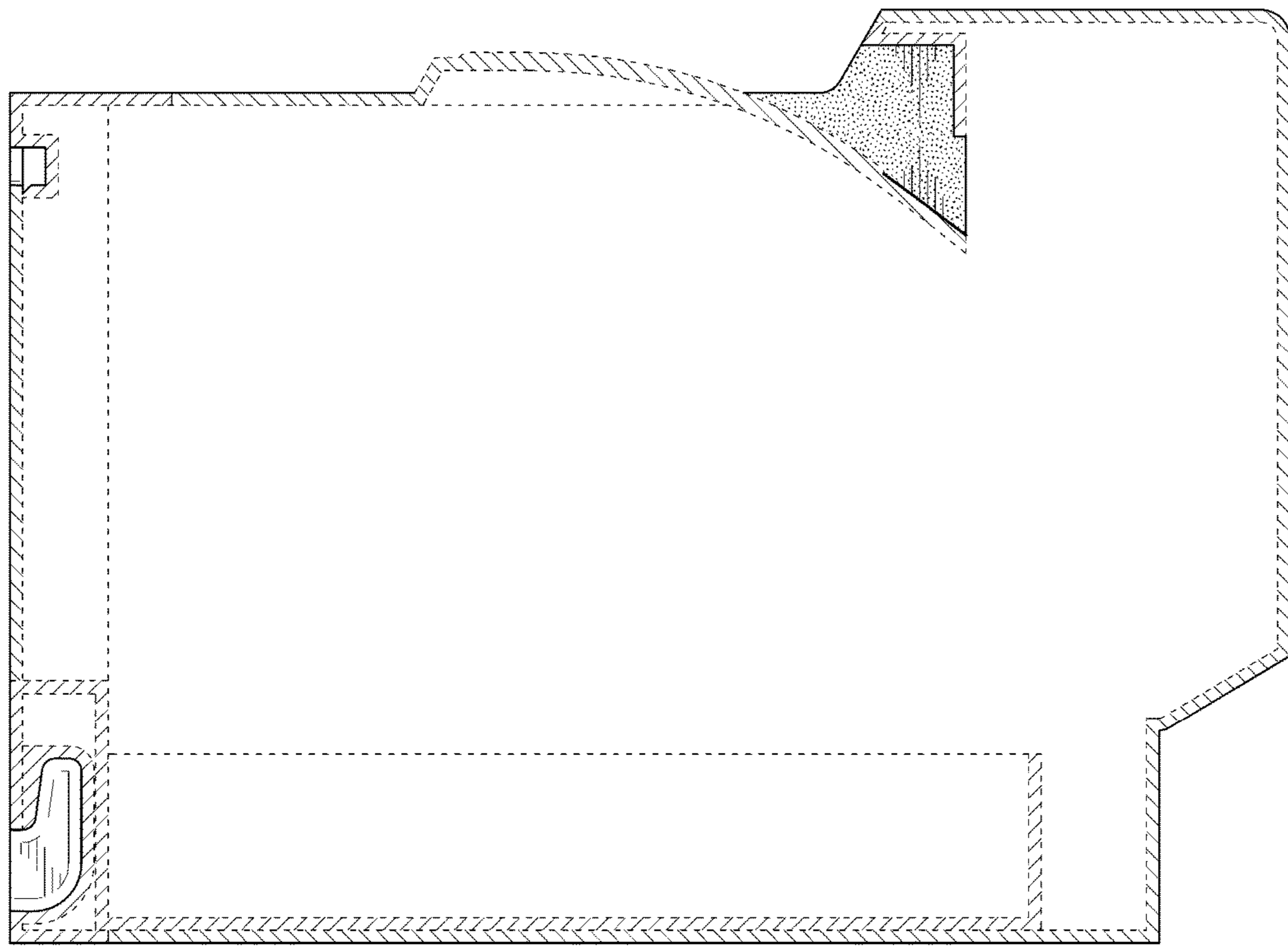


FIG. 8