



US00D868149S

(12) **United States Design Patent** (10) **Patent No.:** **US D868,149 S**  
**Mita et al.** (45) **Date of Patent:** **\*\* Nov. 26, 2019**

(54) **PRINTER**

D805,578 S \* 12/2017 Mita ..... D18/55  
D822,760 S \* 7/2018 Xia ..... D18/50  
D826,318 S \* 8/2018 Brown ..... D18/50

(Continued)

(71) Applicant: **BROTHER INDUSTRIES, LTD.**,  
Nagoya-shi, Aichi-ken (JP)

(72) Inventors: **Masayoshi Mita**, Nagoya (JP); **Toshiya Inada**, Nagoya (JP)

(73) Assignee: **BROTHER INDUSTRIES, LTD.**,  
Nagoya (JP)

(\*\*) Term: **15 Years**

(21) Appl. No.: **29/664,711**

(22) Filed: **Sep. 27, 2018**

(30) **Foreign Application Priority Data**

Mar. 29, 2018 (JP) ..... 2018-006862

(51) **LOC (12) Cl.** ..... **14-02**

(52) **U.S. Cl.**  
USPC ..... **D18/55**; D18/50

(58) **Field of Classification Search**  
USPC ..... D18/55, 50, 53, 54, 56, 59, 36, 37, 38,  
D18/39, 40, 41, 45; D14/301, 307, 121  
CPC ..... H04N 1/00204; H04N 1/00249; H04N  
1/00278; G06K 15/12; G06K 15/14; B41J  
3/00; B41J 3/28; B41J 3/445; B41J 3/46  
See application file for complete search history.

(56) **References Cited**

**U.S. PATENT DOCUMENTS**

D554,698 S \* 11/2007 Miller ..... D18/55  
D653,704 S \* 2/2012 Seki ..... D18/55  
D698,862 S \* 2/2014 Nanno ..... D18/55  
D749,169 S \* 2/2016 Kil ..... D18/55  
D749,170 S \* 2/2016 Nakagawa ..... D18/55  
D749,172 S \* 2/2016 Nakagawa ..... D18/55  
D786,343 S \* 5/2017 Kil ..... D18/55  
D800,125 S \* 10/2017 Yin ..... D14/422

**FOREIGN PATENT DOCUMENTS**

WO D091749-001 \* 7/2016  
WO D091749-005 \* 7/2016  
WO D098114-001 \* 11/2017

**OTHER PUBLICATIONS**

PC World. Link: <https://www.pcworld.com/article/2067000/brother-mfc-j6920dw-review-a-fast-capable-mfp-stuck-with-mediocre-print-quality.html>. Dec. 5, 2013. Brother MFC-J6920dw review: a fast, capable MFP stuck with mediocre print quality. (Year: 2013).\*

*Primary Examiner* — Susan Bennett Hattan

*Assistant Examiner* — Lauren D McVey

(74) *Attorney, Agent, or Firm* — Oliff PLC

(57) **CLAIM**

The ornamental design for a printer, as shown and described.

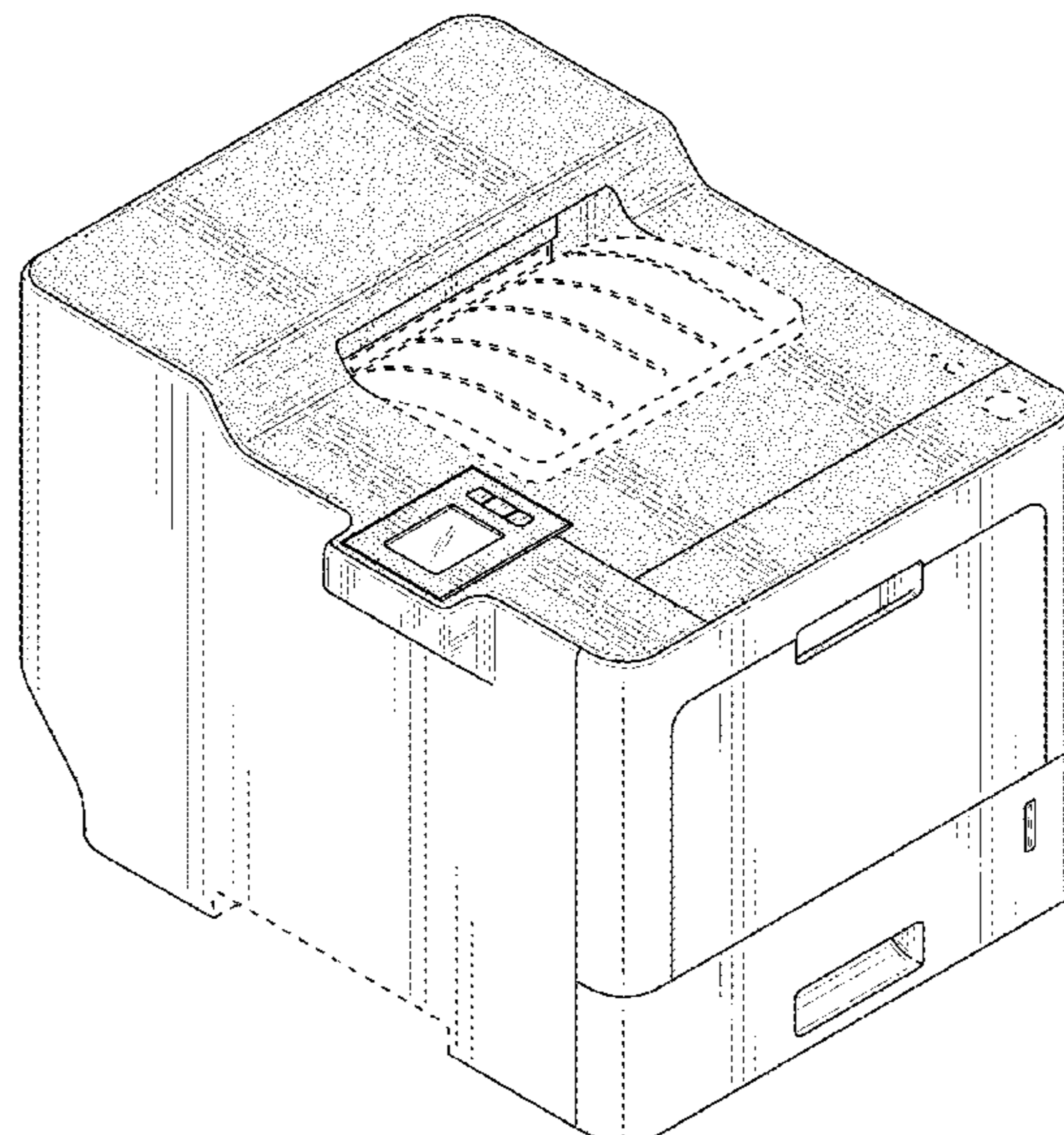
**DESCRIPTION**

FIG. 1 is a left-side perspective view of the printer;  
FIG. 2 is a front view thereof;  
FIG. 3 is a rear view thereof;  
FIG. 4 is a left-side view thereof;  
FIG. 5 is a right-side view thereof;  
FIG. 6 is a top view thereof; and,  
FIG. 7 is a bottom view thereof.

The broken lines immediately adjacent the shaded areas depict the bounds of the claimed design, while all other broken lines are directed to portions of the printer that form no part of the claim. The broken lines form no part of the claimed design.

The stipple shading as used in this application is a drafting convention used to show contrast with adjacent surfaces.

**1 Claim, 7 Drawing Sheets**



(56)

**References Cited**

U.S. PATENT DOCUMENTS

D826,319 S \* 8/2018 Inada ..... D18/50  
2018/0060707 A1\* 3/2018 Yoshida ..... B65H 5/062

\* cited by examiner

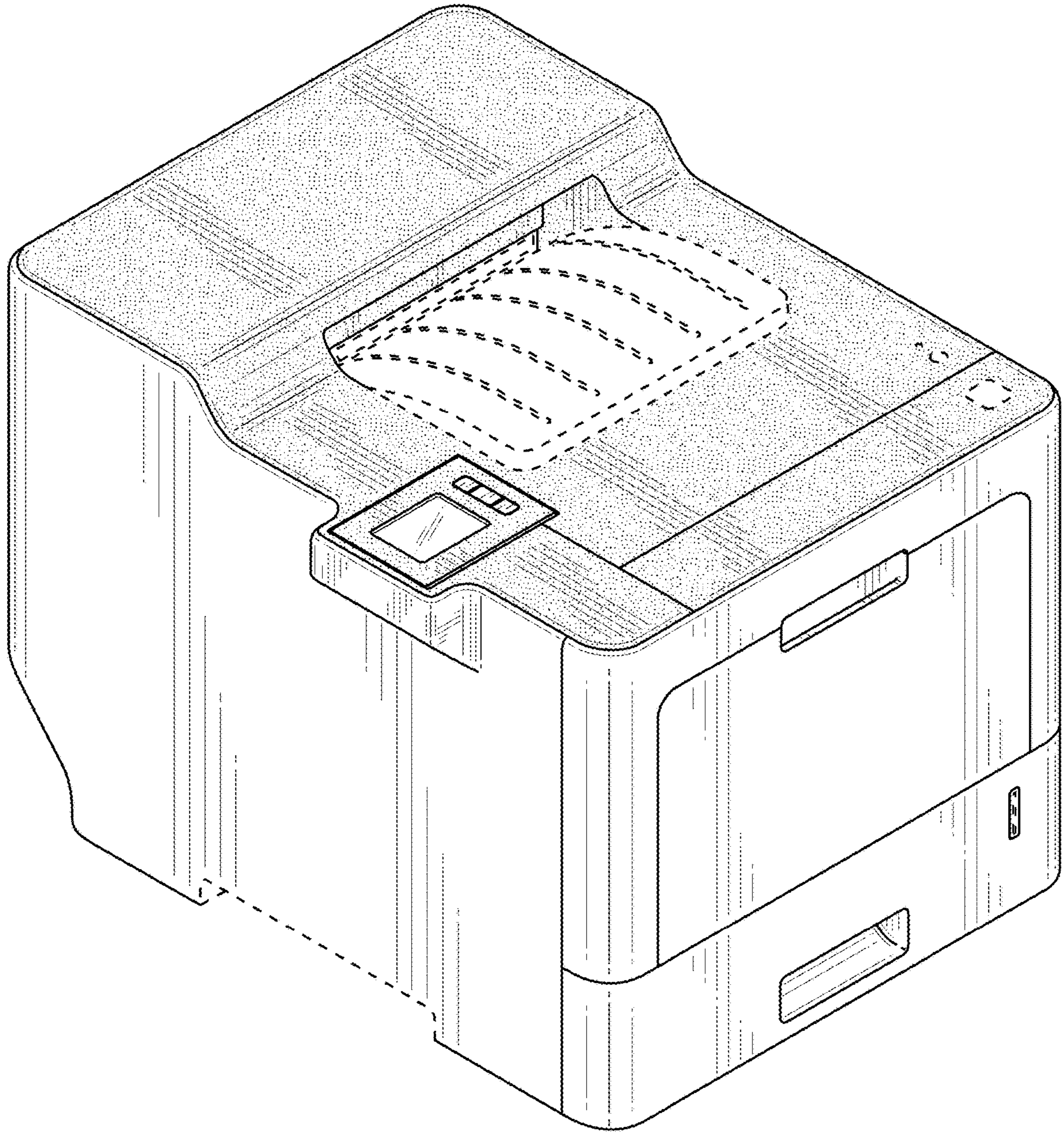


FIG. 1



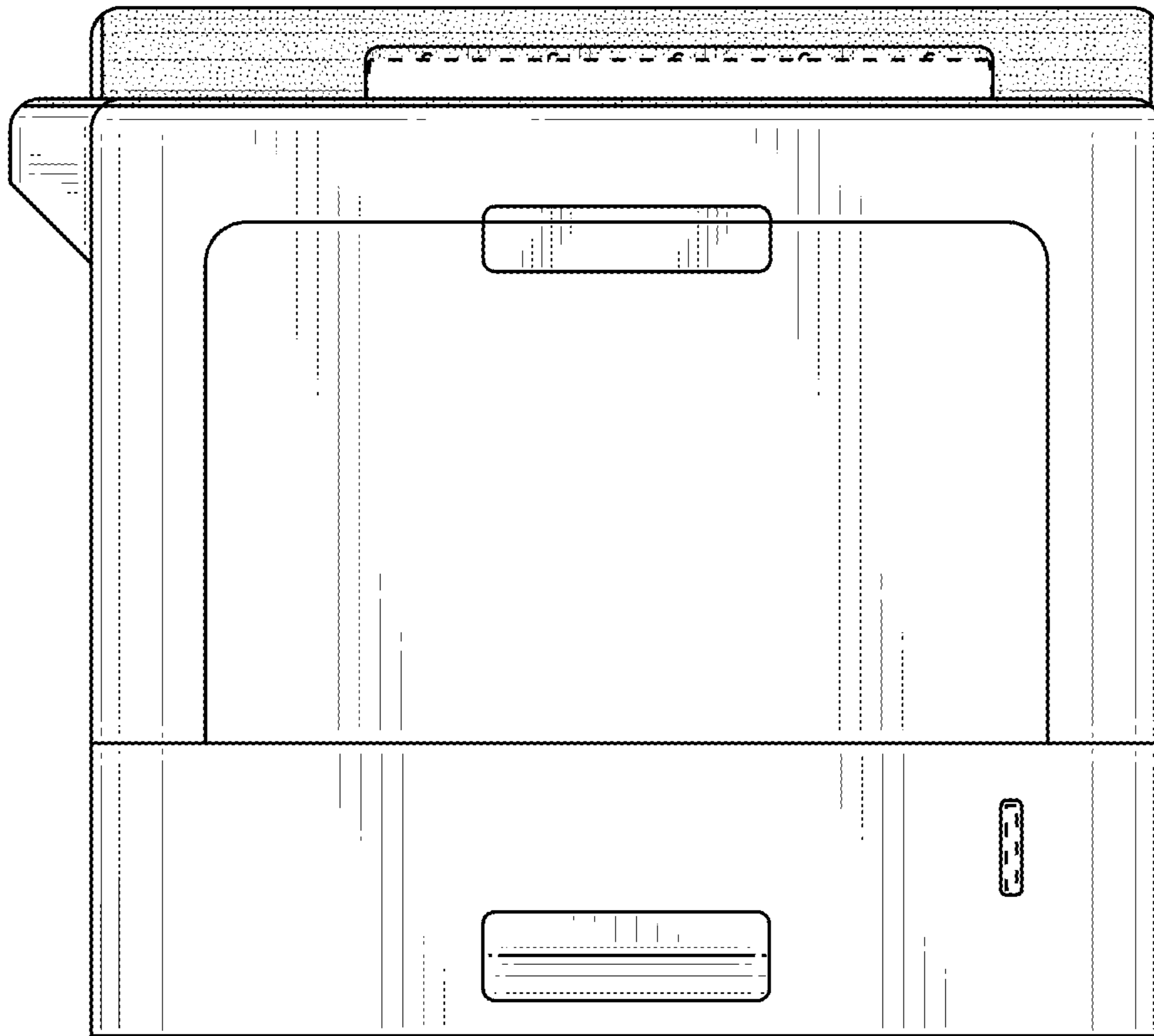


FIG. 2

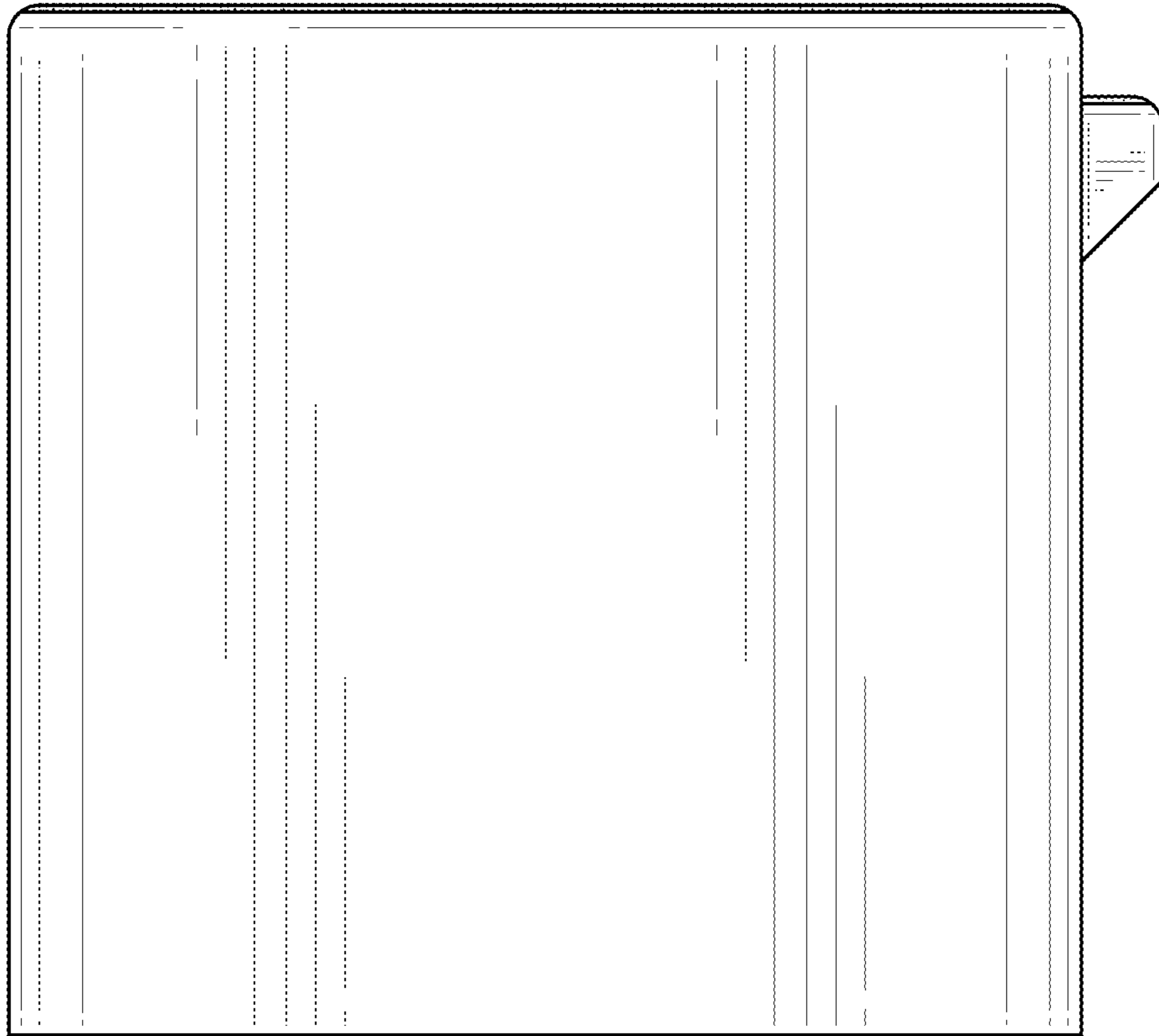


FIG. 3

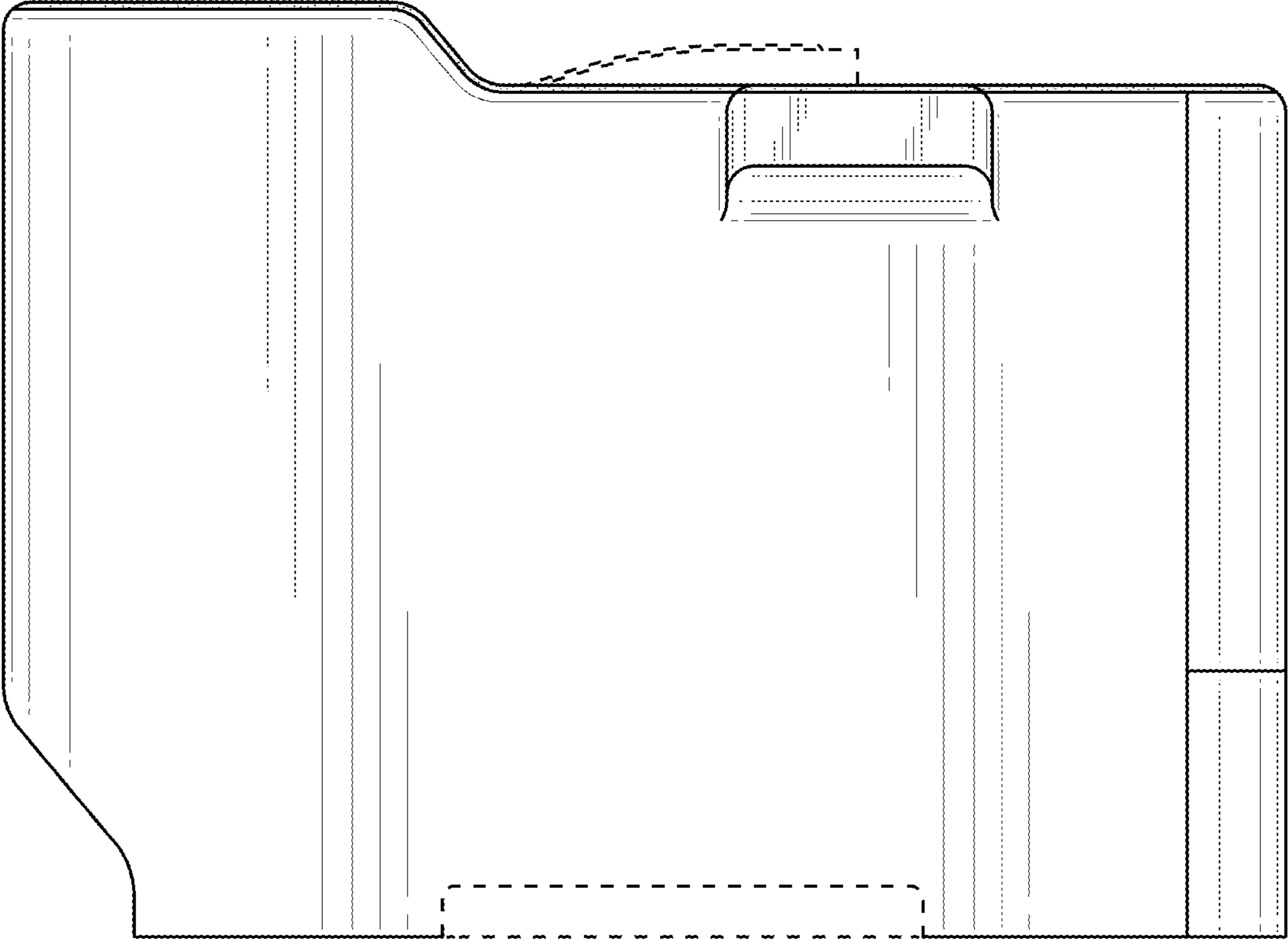


FIG. 4

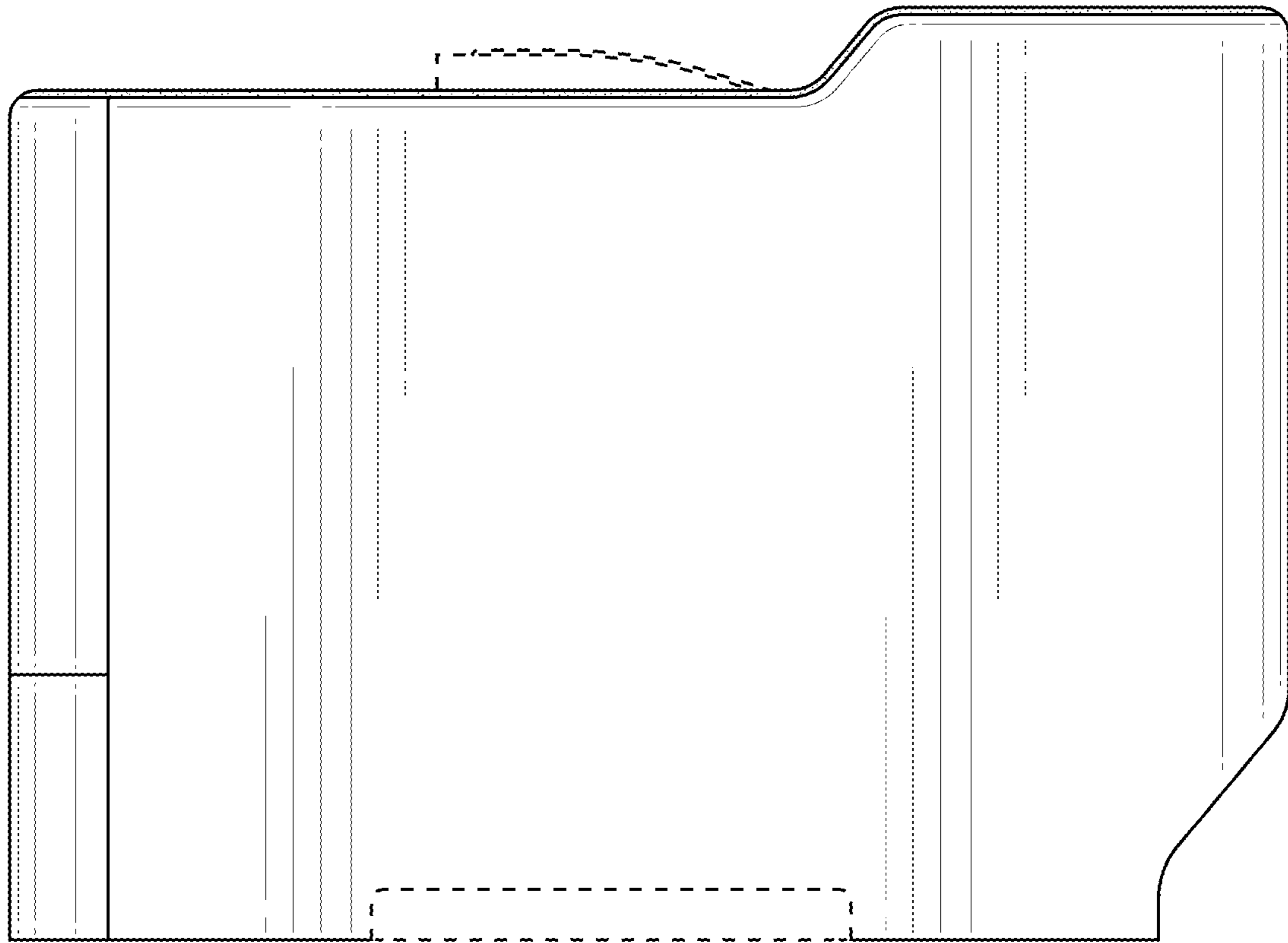


FIG. 5

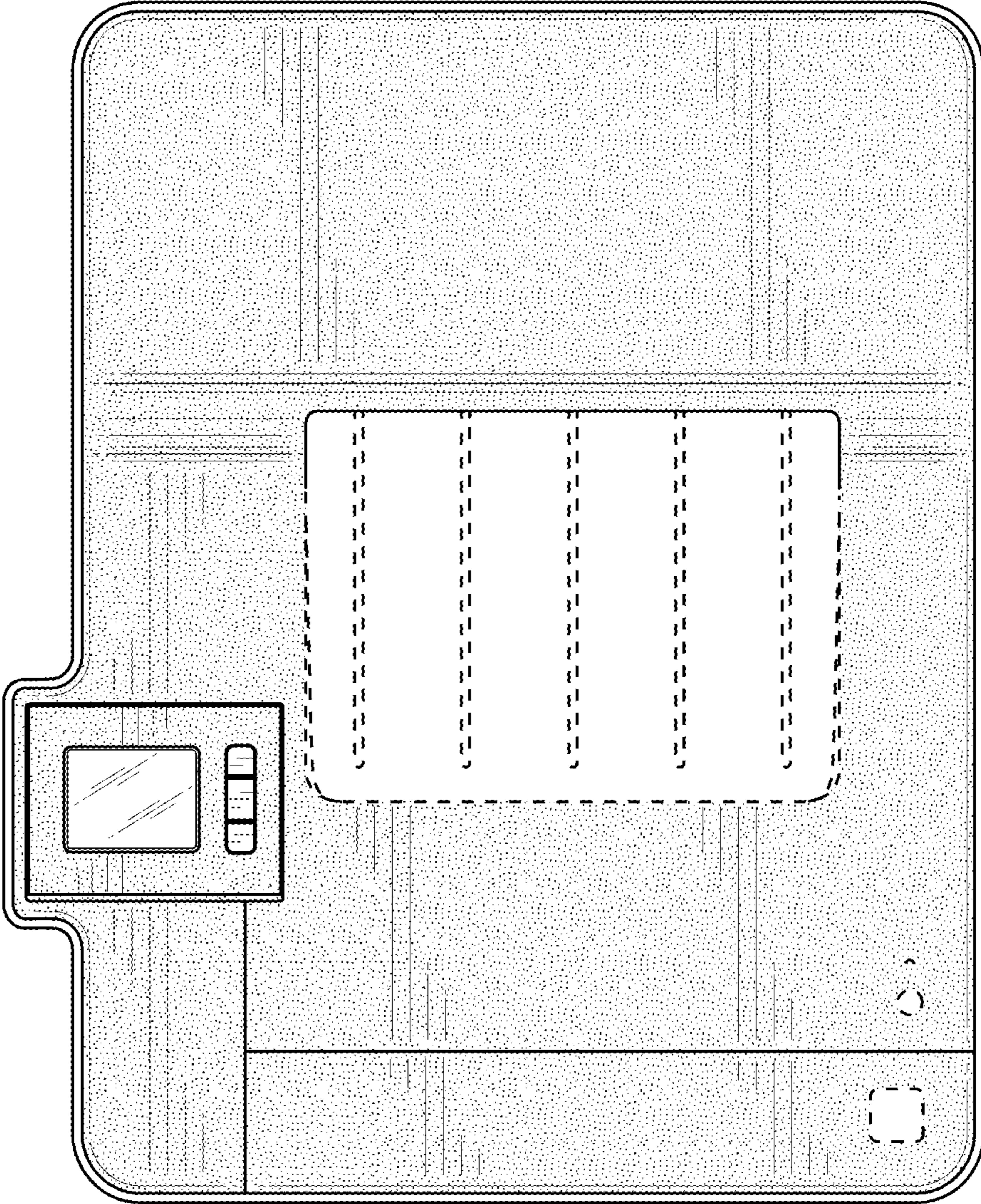


FIG. 6



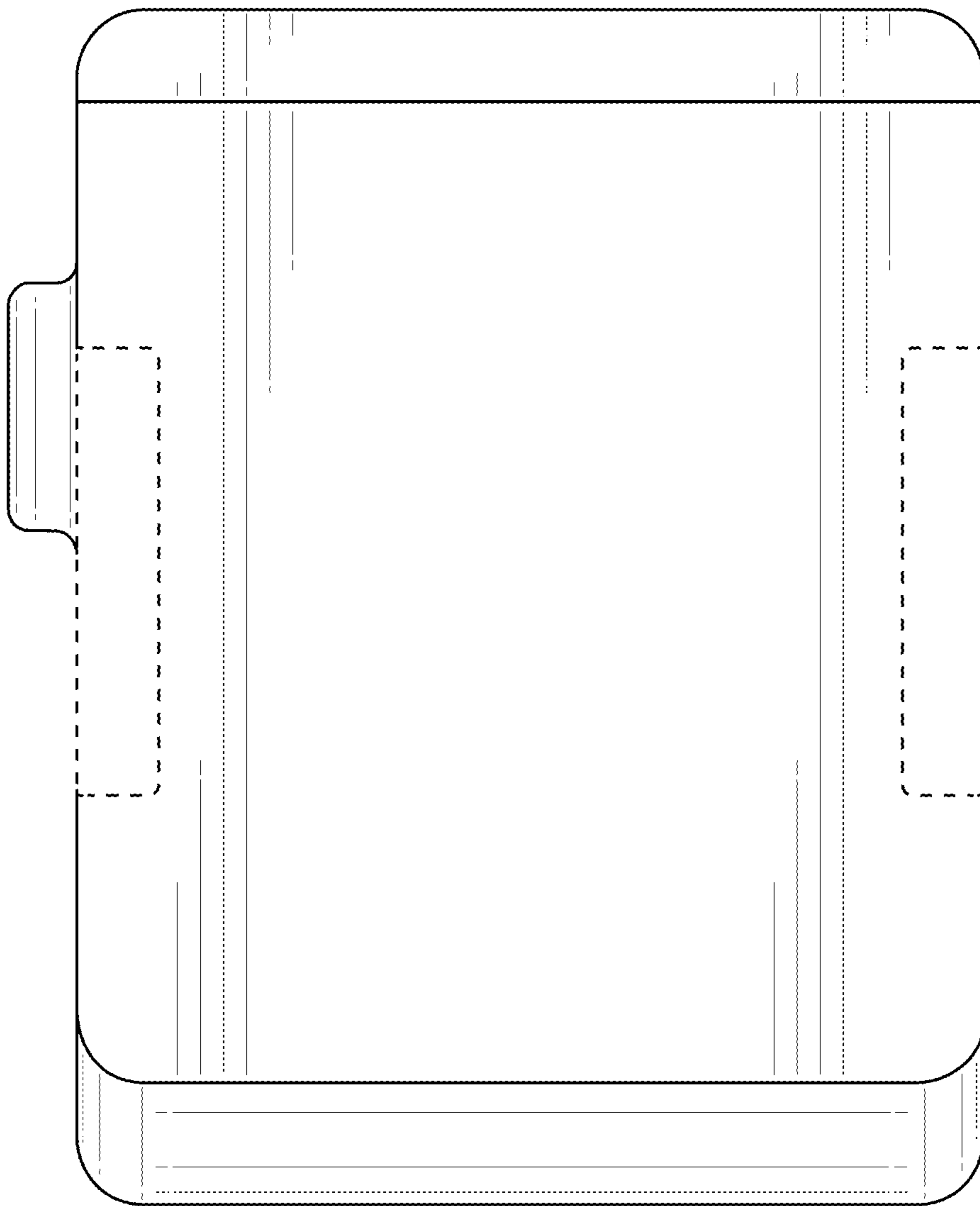


FIG. 7