



US00D868148S

(12) **United States Design Patent** (10) **Patent No.:** **US D868,148 S**  
**Cumming et al.** (45) **Date of Patent:** **\*\* Nov. 26, 2019**

(54) **DEBINDER**

(71) Applicant: **Desktop Metal, Inc.**, Burlington, MA (US)

(72) Inventors: **Justin Cumming**, Topsfield, MA (US);  
**Peter Schmitt**, Brookline, MA (US);  
**Alex Fishman**, Boston, MA (US); **Yves Behar**, San Francisco, CA (US);  
**Brandon Heiman**, San Francisco, CA (US)

(73) Assignee: **Desktop Metal, Inc.**, Burlington, MA (US)

(\*\*) Term: **15 Years**

(21) Appl. No.: **29/617,190**

(22) Filed: **Sep. 12, 2017**

(51) **LOC (12) Cl.** ..... **18-02**

(52) **U.S. Cl.**  
USPC ..... **D18/53**

(58) **Field of Classification Search**  
USPC ..... D18/53, 36, 37, 38, 39, 46, 47, 48, 49,  
D18/50, 57, 99; D15/199, 122  
CPC ..... G03G 15/6538; B65H 2408/118; G06M  
7/06; G06M 7/08; G06M 7/10; G06M  
9/00; G06M 9/02; G06M 9/025  
See application file for complete search history.

(56) **References Cited**

U.S. PATENT DOCUMENTS

- 3,369,743 A \* 2/1968 Glassman ..... B41K 3/263  
235/58 CW
- D236,547 S \* 8/1975 Clayton et al. .... D18/53
- D246,459 S \* 11/1977 Olson ..... D18/40
- D258,131 S \* 2/1981 Genaro ..... D18/53
- D265,909 S \* 8/1982 Hatanaka ..... 241/285.1
- D279,791 S \* 7/1985 Nishida ..... D18/3.3
- D280,513 S \* 9/1985 Fischer ..... D18/53

- D291,313 S \* 8/1987 Clark ..... D18/53
- D325,926 S \* 5/1992 Quedenfeld ..... D18/53
- D556,250 S \* 11/2007 Kent ..... D18/34.6
- D615,122 S \* 5/2010 Graves ..... D18/34.5
- D621,441 S \* 8/2010 Kim ..... D18/39
- D679,319 S \* 4/2013 Romanovich ..... D18/34.5

FOREIGN PATENT DOCUMENTS

JP 02000095574 A \* 4/1979 ..... C04B 35/64

OTHER PUBLICATIONS

Tech-labs. <URL:https://tech-labs.com/sites/default/files/DM-0007-US-Studio%20System%20Overview-TLS.pdf.> Visited Jul. 9, 2018. Studio debinder.\*

\* cited by examiner

*Primary Examiner* — Susan Moon Lee

*Assistant Examiner* — Lauren D McVey

(74) *Attorney, Agent, or Firm* — Wolf, Greenfield & Sacks, P.C.

(57) **CLAIM**

The ornamental design for a debinder, as shown and described.

**DESCRIPTION**

FIG. 1 is a front perspective view of a debinder, showing our new design;

FIG. 2 is a front elevation view thereof;

FIG. 3 is a right side elevation view thereof;

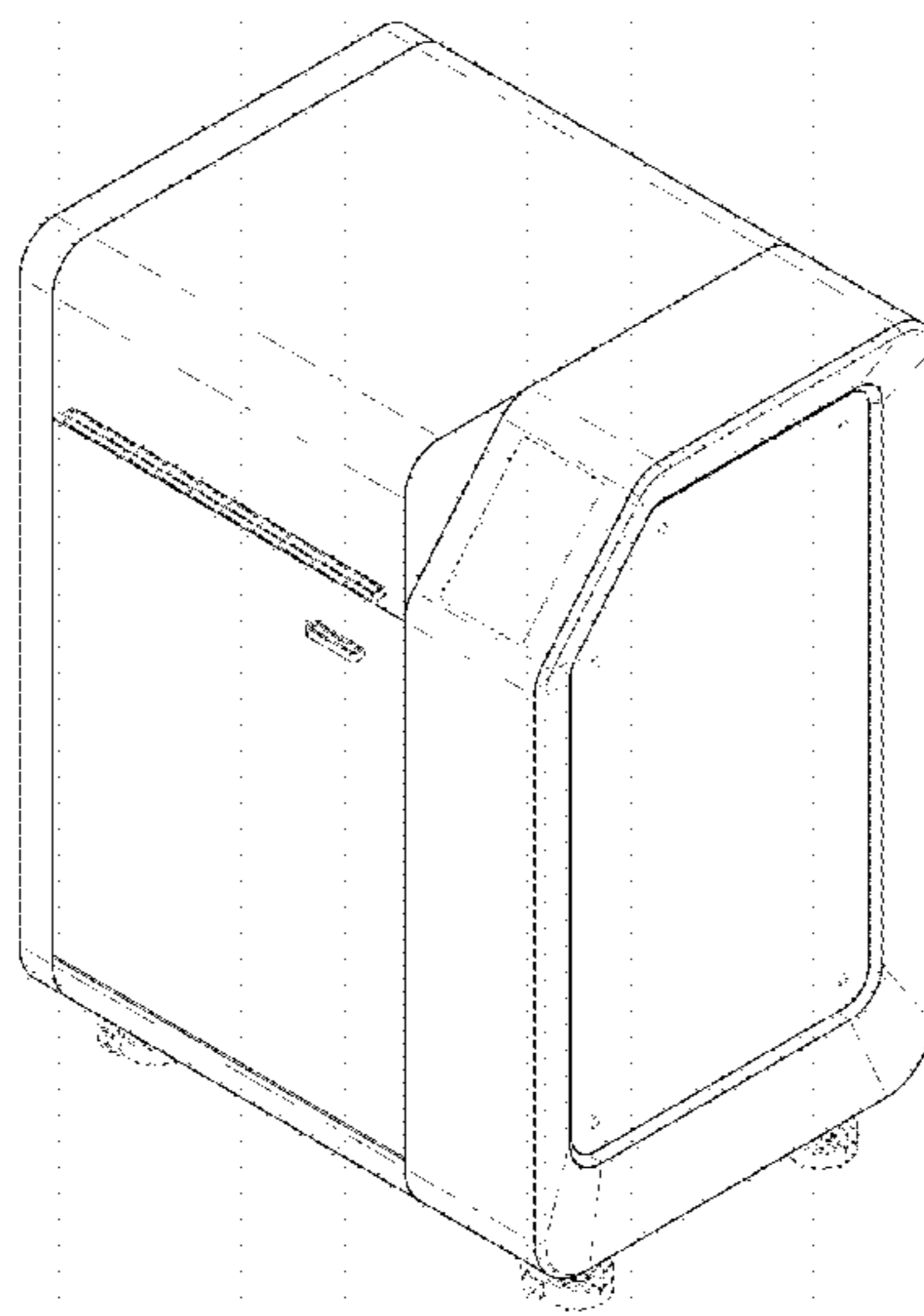
FIG. 4 is a rear elevation view thereof;

FIG. 5 is a left side elevation view thereof; and,

FIG. 6 is a top plan view thereof.

The broken lines immediately adjacent to the claim depict the bounds of the claimed design, while all other broken lines are directed to environment. The broken lines form no part of the claimed design.

**1 Claim, 6 Drawing Sheets**



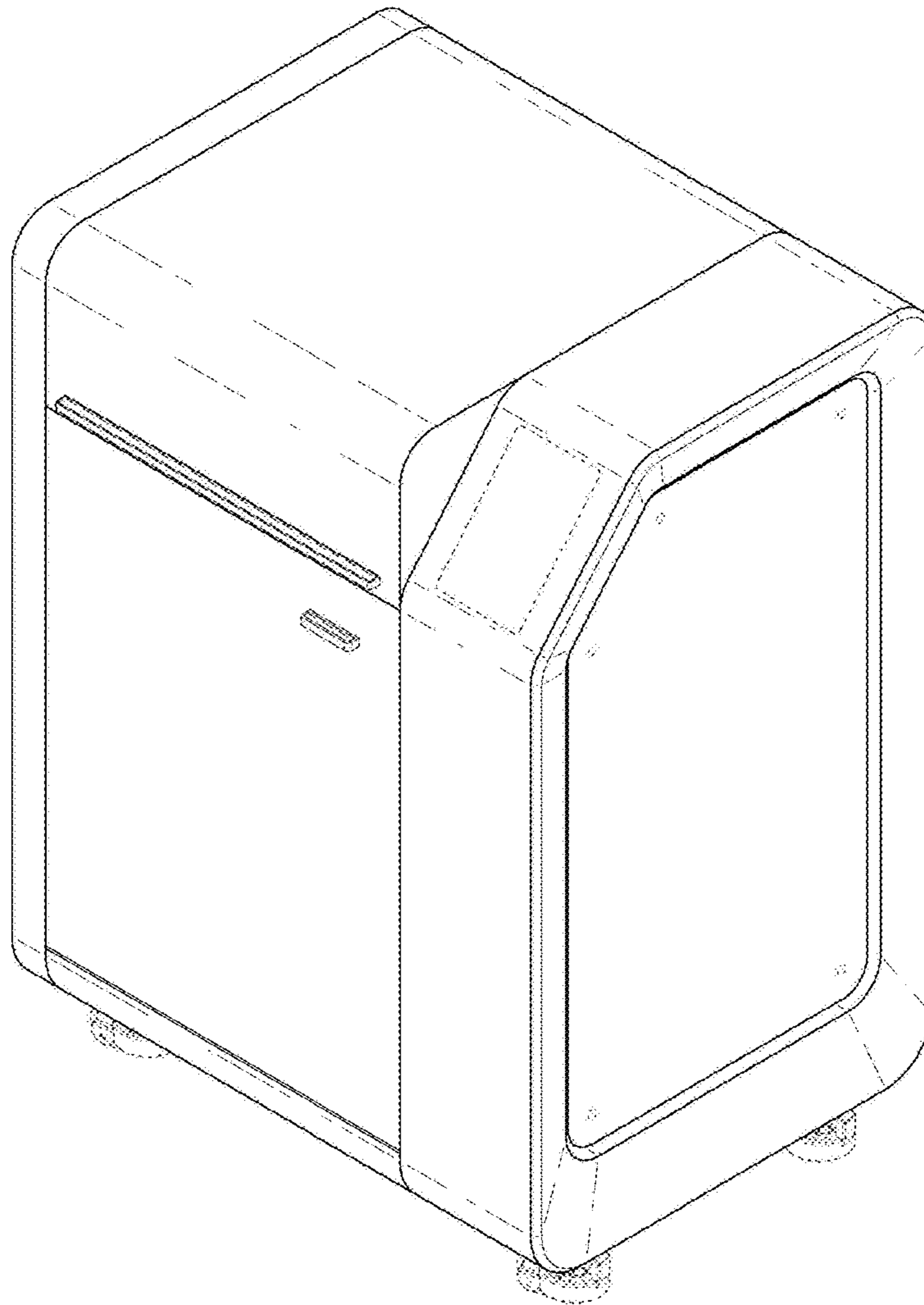


FIG. 1

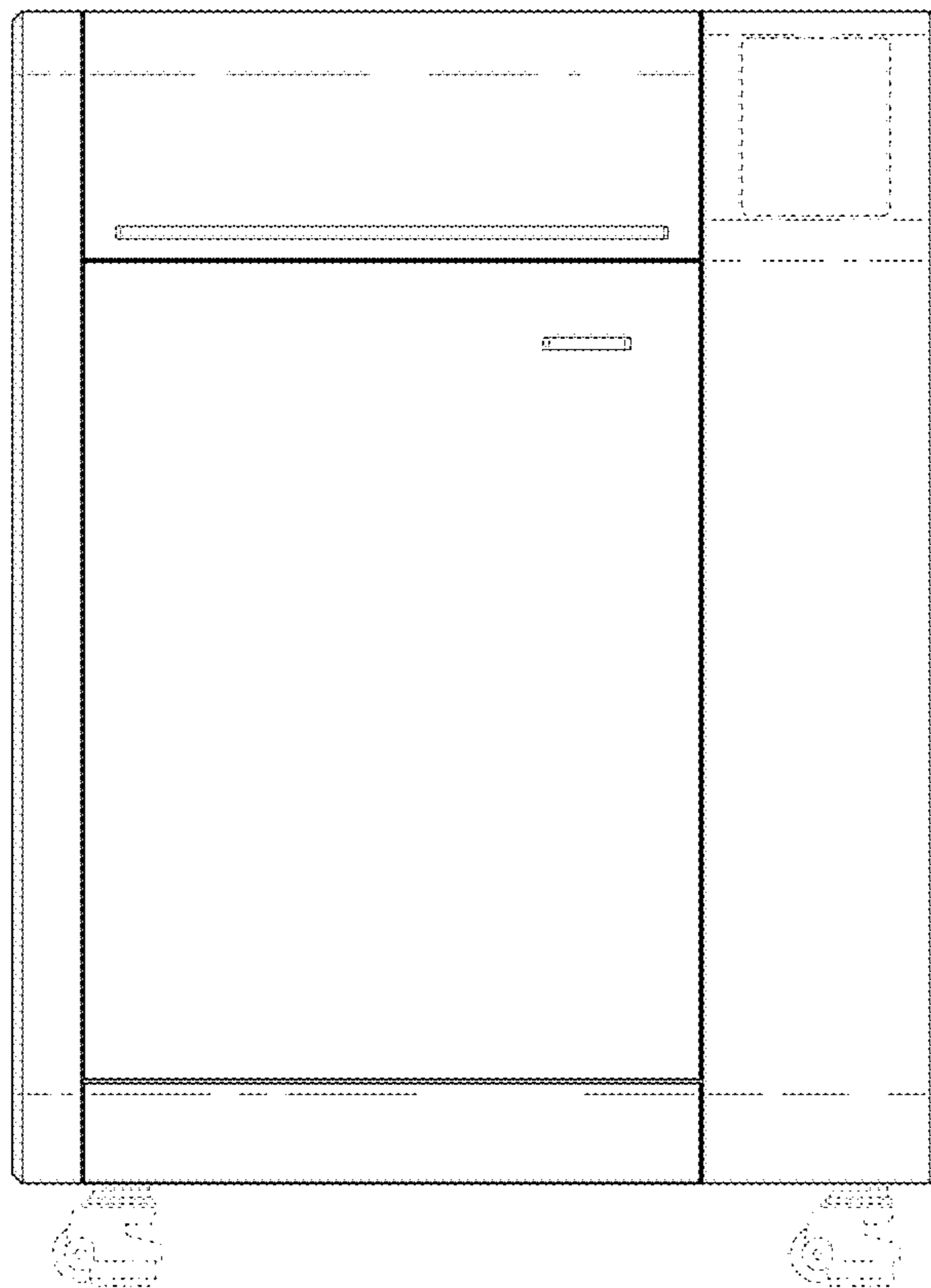


FIG. 2

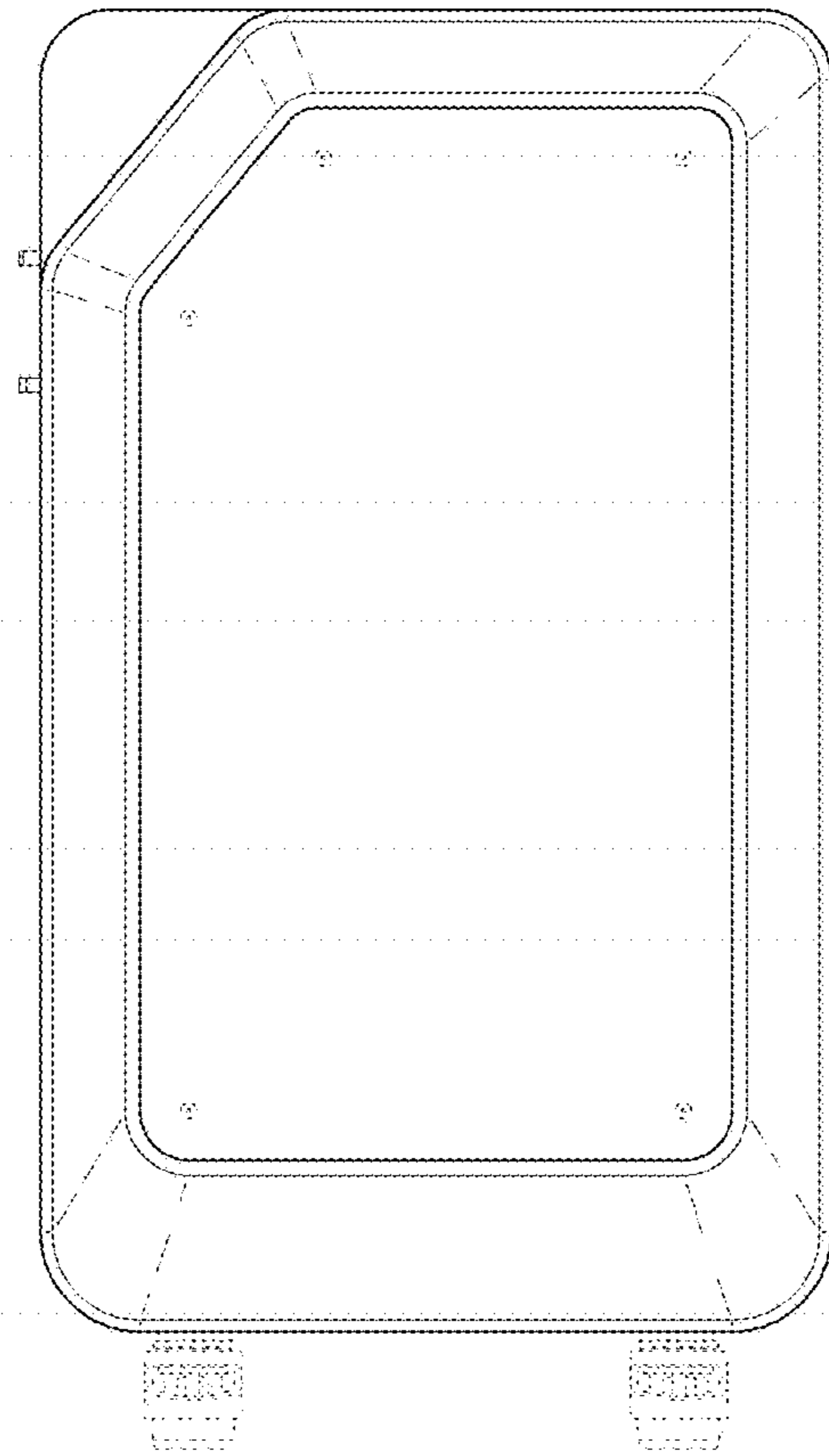


FIG. 3

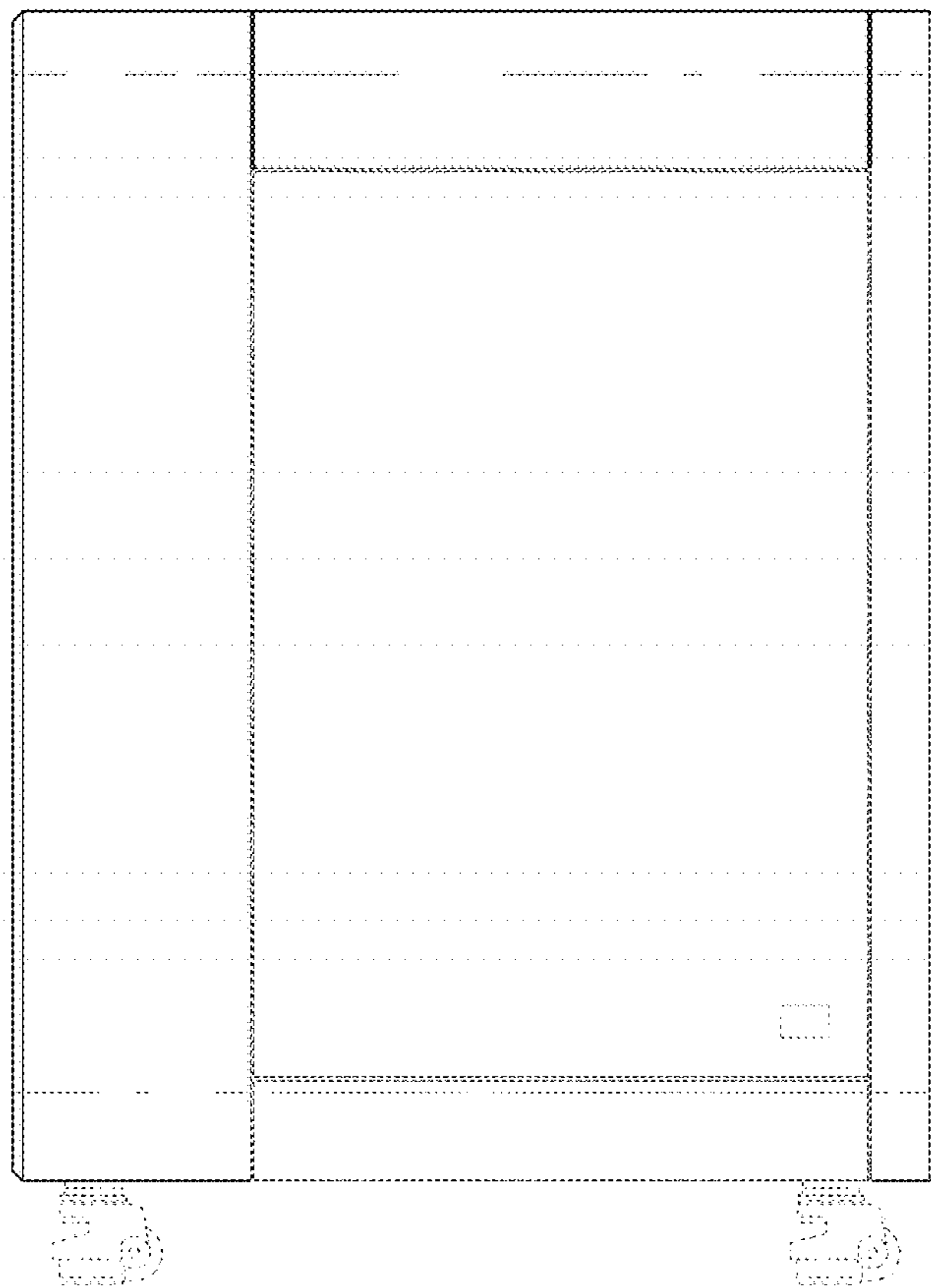


FIG. 4

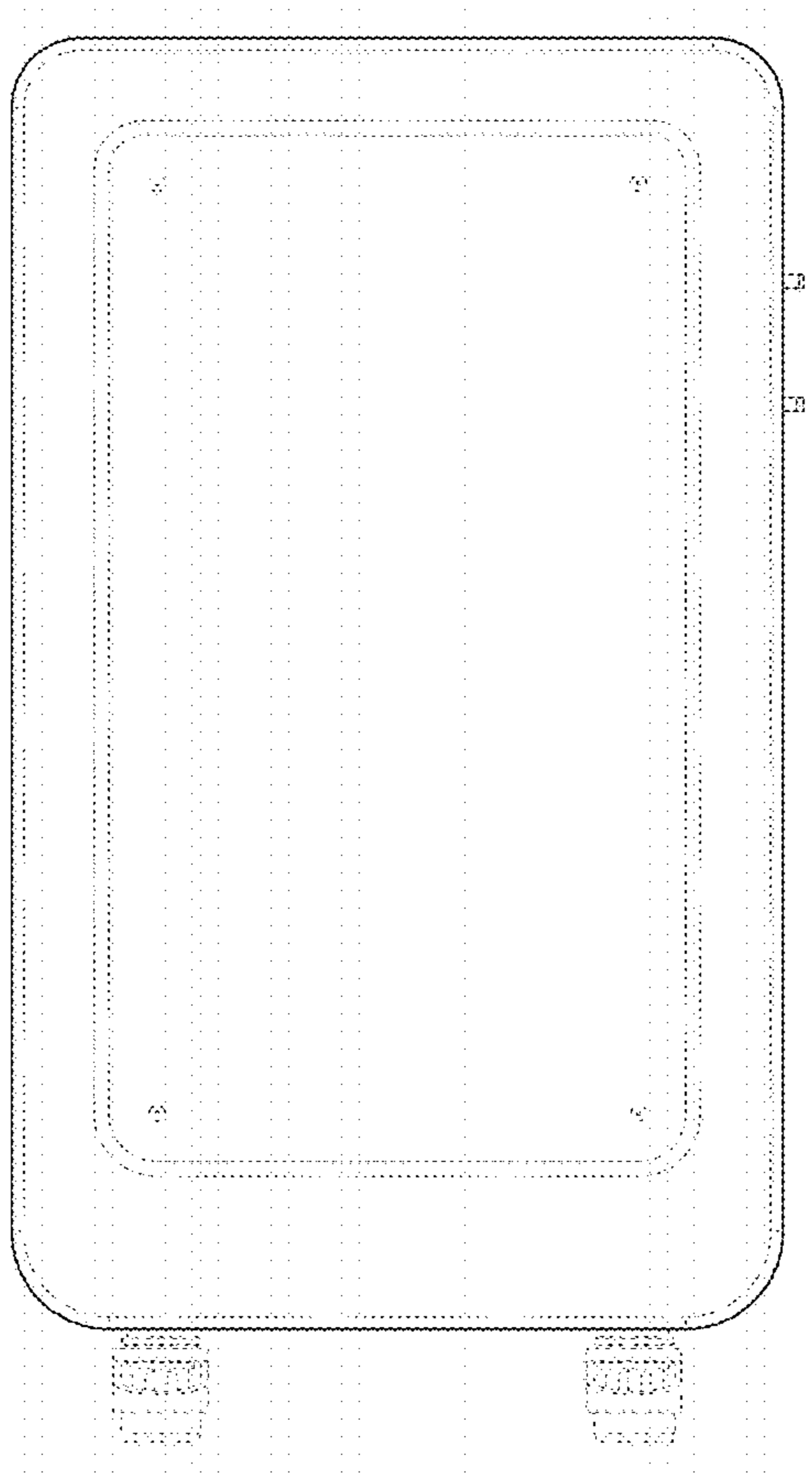


FIG. 5

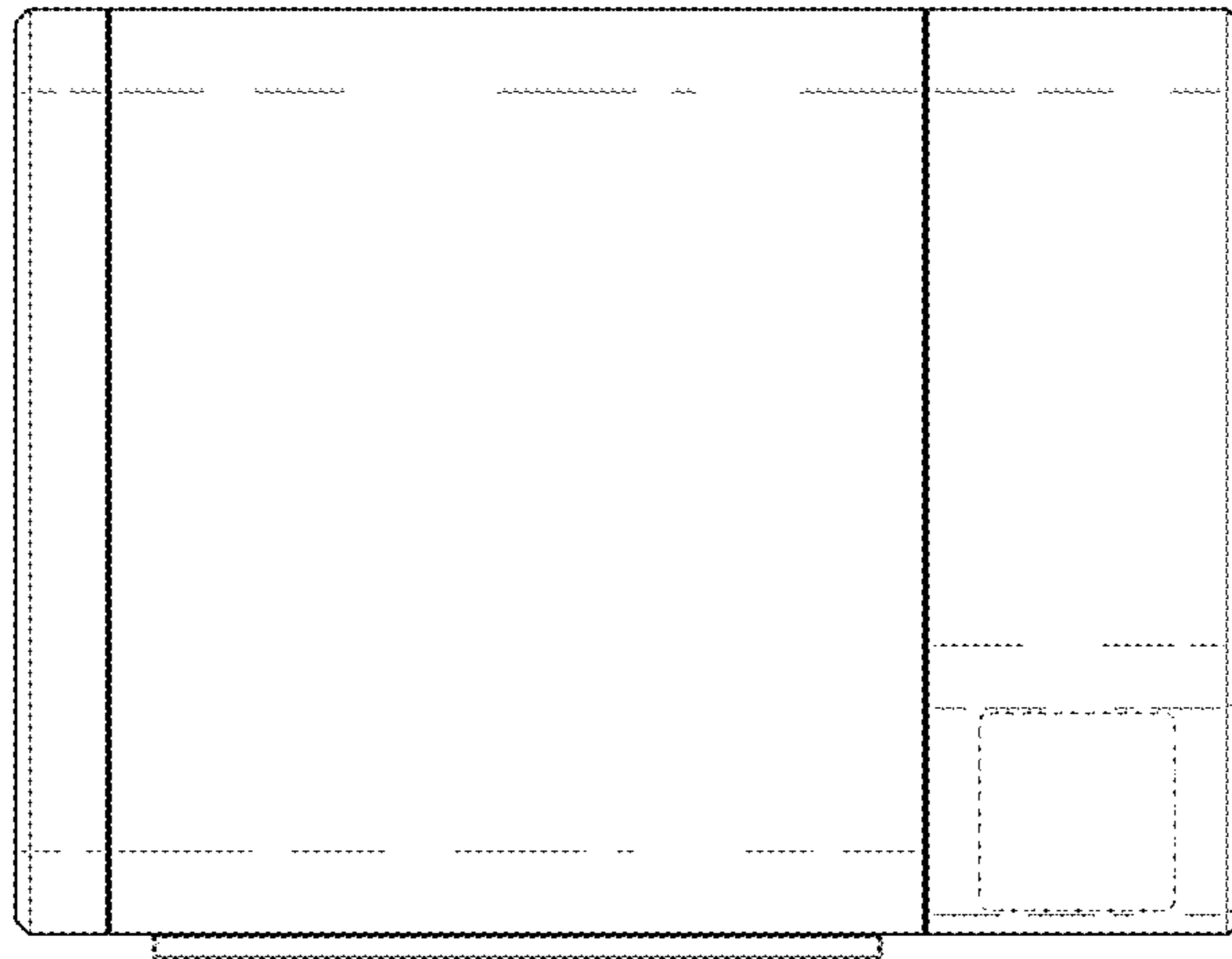


FIG. 6