

US00D868145S

(12) **United States Design Patent**
Pawlovich

(10) **Patent No.:** **US D868,145 S**

(45) **Date of Patent:** **** Nov. 26, 2019**

(54) **DRUM BODY**

5,587,544 A * 12/1996 Fujii G10D 13/02
84/411 R

(71) Applicant: **Daniel Pawlovich**, Costa Mesa, CA
(US)

6,380,468 B1 4/2002 Shigenaga et al.

6,462,262 B2 10/2002 Hagiwara

6,515,208 B2 2/2003 Cleland

7,361,823 B2 4/2008 Rush

7,692,082 B2 4/2010 Abe

7,812,236 B1 10/2010 Good

D649,080 S * 11/2011 Neary D11/1

8,399,754 B2 3/2013 Koks

8,629,340 B1 1/2014 Martin et al.

(Continued)

(72) Inventor: **Daniel Pawlovich**, Costa Mesa, CA
(US)

(**) Term: **15 Years**

(21) Appl. No.: **29/626,558**

(22) Filed: **Nov. 17, 2017**

(51) **LOC (12) Cl.** **17-04**

(52) **U.S. Cl.**

USPC **D17/22**

(58) **Field of Classification Search**

USPC D17/22, 23, 99; D21/405, 406; D11/1,
D11/3, 4, 26, 37, 38, 39, 11

CPC G10D 13/00; G10D 13/02; G10D 13/025;
G10D 13/06; G10D 13/08; G10D 13/024

See application file for complete search history.

(56) **References Cited**

U.S. PATENT DOCUMENTS

- 1,589,887 A 6/1926 Logan
- D165,622 S * 1/1952 Witmer D11/4
- 2,834,244 A * 5/1958 Willits G10D 13/04
84/411 R
- 3,139,783 A * 7/1964 Grant G10D 13/00
84/411 R
- 3,674,911 A * 7/1972 Phillips G10D 13/02
84/411 R
- 4,134,324 A * 1/1979 LeMert G10D 13/021
181/191
- 4,254,685 A * 3/1981 Rose G10D 13/027
84/411 R
- 4,475,434 A 10/1984 Willis
- 4,993,304 A 2/1991 Lovelet
- D316,090 S * 4/1991 Holloway D14/143
- 5,377,576 A 1/1995 Good et al.
- 5,544,561 A 8/1996 Isomi

OTHER PUBLICATIONS

SJC, Product Guide, Summer 2017 catalogue, [online], [visited Mar. 13, 2019]. Internet, <URL: https://cdn.shopify.com/s/files/1/0863/6884/files/SJC_Product_Guide_-_Summer_2017.pdf> (Year: 2017).*

(Continued)

Primary Examiner — Sheryl Lane

Assistant Examiner — Samantha N Wood

(74) *Attorney, Agent, or Firm* — Dorsey & Whitney LLP

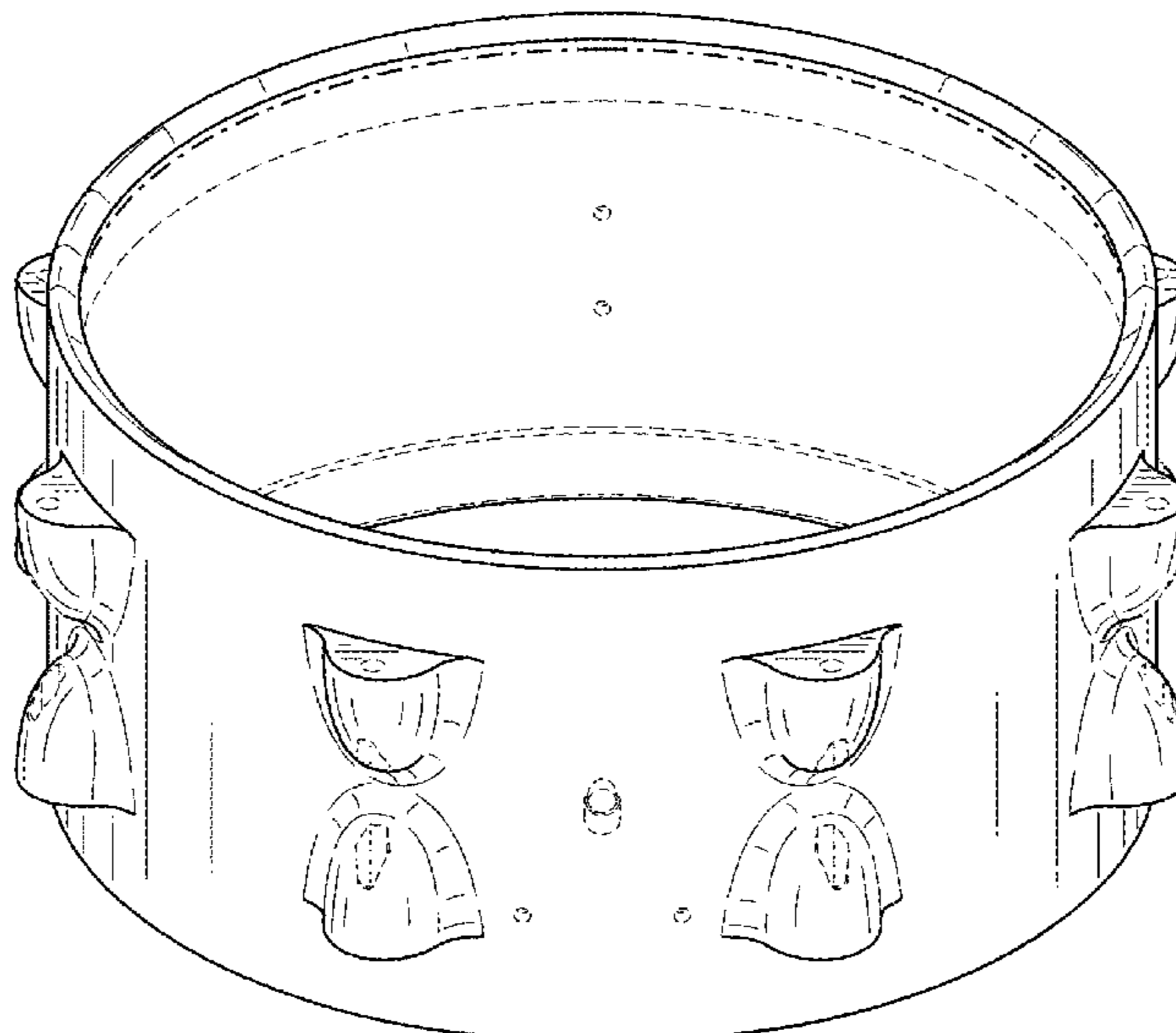
(57) **CLAIM**

I claim the ornamental design for a drum body, as shown and described.

DESCRIPTION

FIG. 1 is a perspective view of a drum body.
FIG. 2 is a top view of the drum body.
FIG. 3 is a bottom view of the drum body.
FIG. 4 is a front view of the drum body.
FIG. 5 is a back view of the drum body.
FIG. 6 is a left side view of the drum body; and,
FIG. 7 is a right side view of the drum body.
The broken lines in FIGS. 1-7 and the unevenly-spaced broken line in FIG. 1 illustrate environment of the drum body and form no part of the claimed design.

1 Claim, 5 Drawing Sheets



(56)

References Cited

U.S. PATENT DOCUMENTS

9,076,414 B1 7/2015 Dunnett
9,214,142 B2 12/2015 May
D747,659 S * 1/2016 Coin D11/3
9,286,866 B2 3/2016 Fugate et al.
9,293,122 B1 3/2016 Martin et al.
9,373,310 B2 6/2016 Martin et al.
9,583,082 B1 2/2017 Martin et al.
9,666,172 B1 5/2017 Voelker
10,199,019 B2 2/2019 Voelker
2002/0029680 A1 3/2002 Cleland
2005/0188816 A1 9/2005 May
2008/0127804 A1 6/2008 Lashbrook et al.
2008/0173158 A1 7/2008 Lee
2011/0030531 A1 2/2011 Nakata et al.
2011/0308375 A1 12/2011 Fabas et al.
2014/0123831 A1 * 5/2014 Dunnett G10D 13/00
84/411 R
2015/0059553 A1 3/2015 Martin
2015/0107440 A1 4/2015 Bedson
2017/0040005 A1 2/2017 Welch
2019/0156797 A1 5/2019 Pawlovich

OTHER PUBLICATIONS

PCT, "International Search Report and Written Opinion", Application No. PCT/US2018/061606, dated May 6, 2019, 12 pages.

* cited by examiner

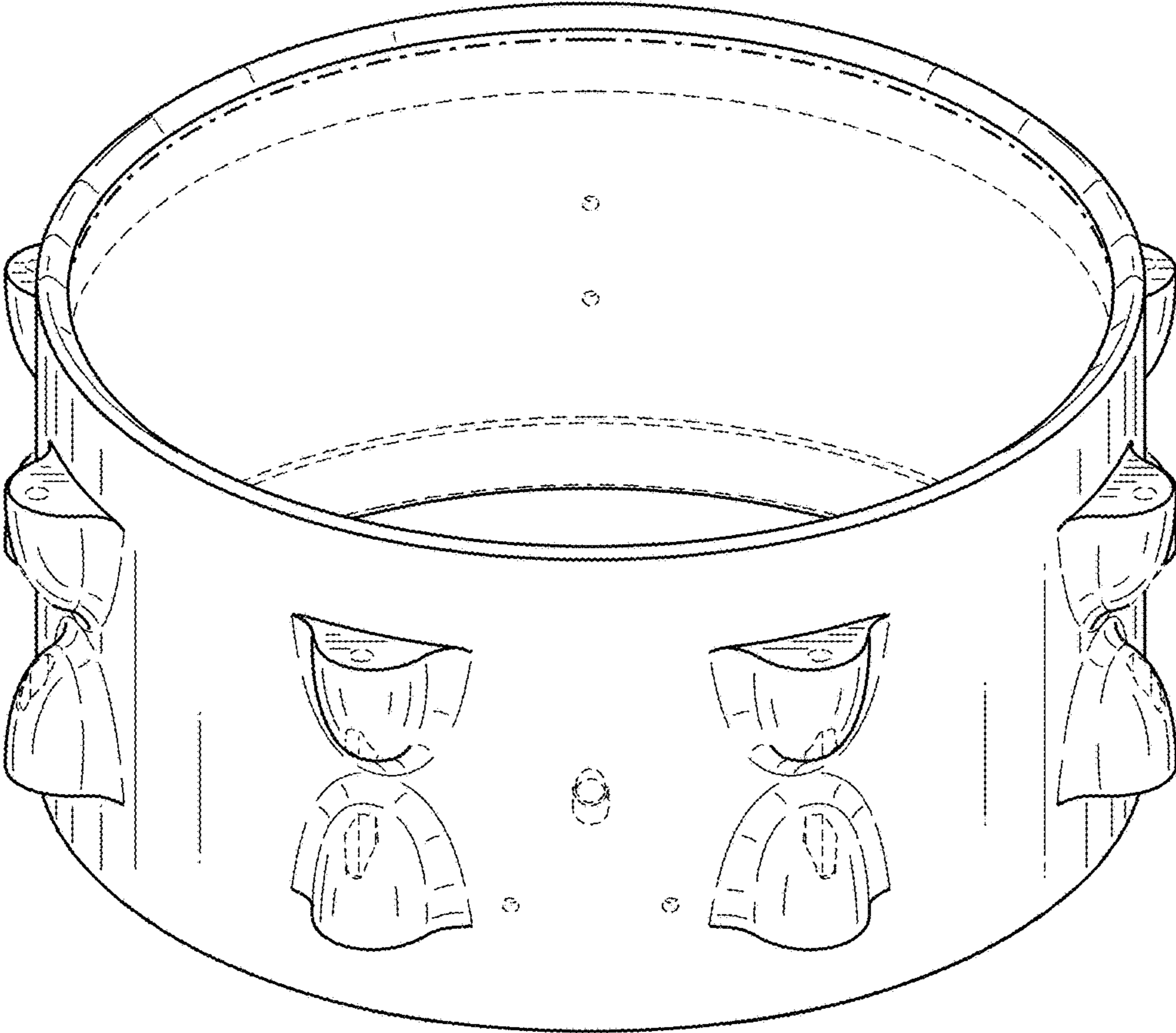


FIG. 1

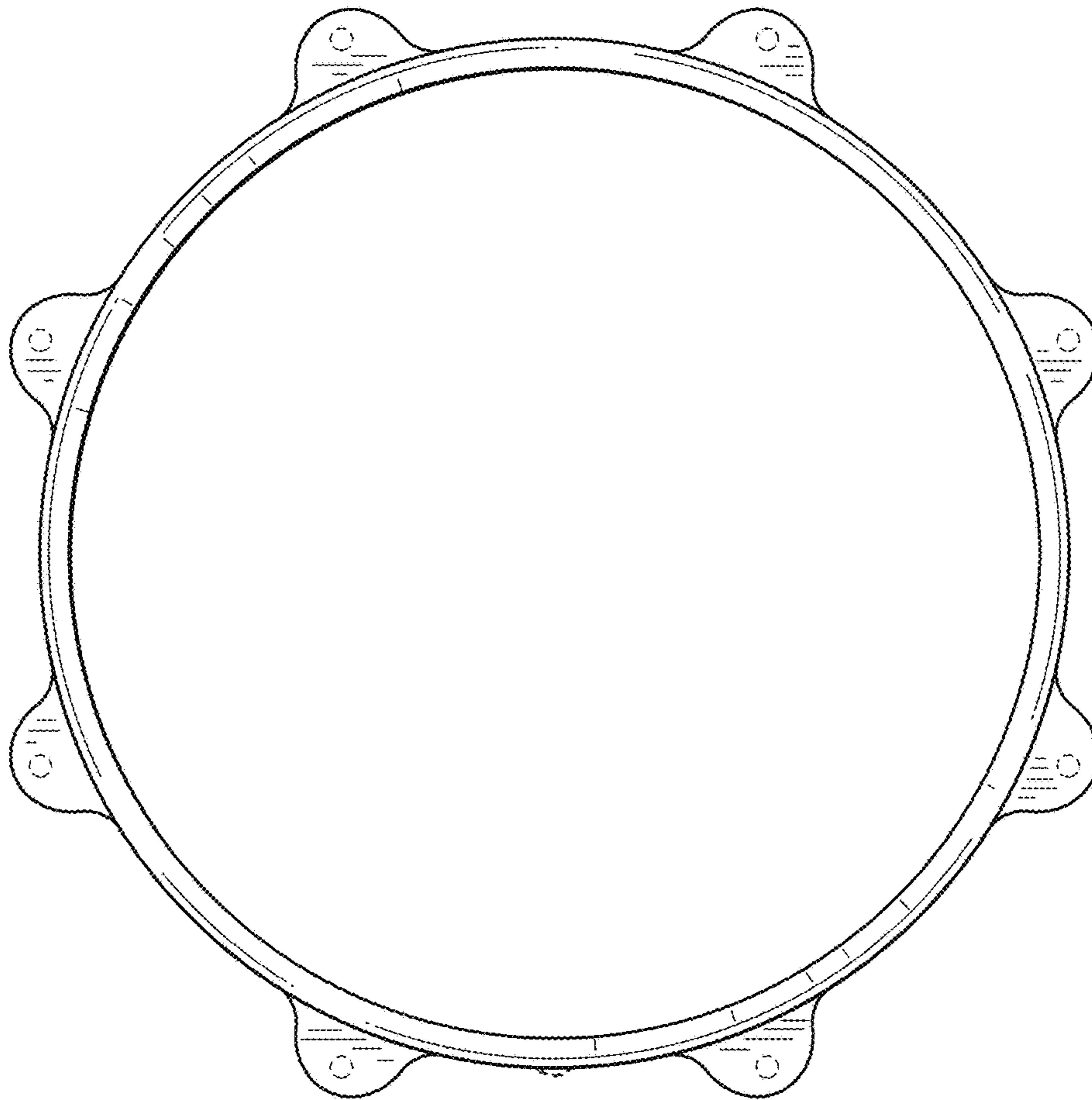


FIG. 2

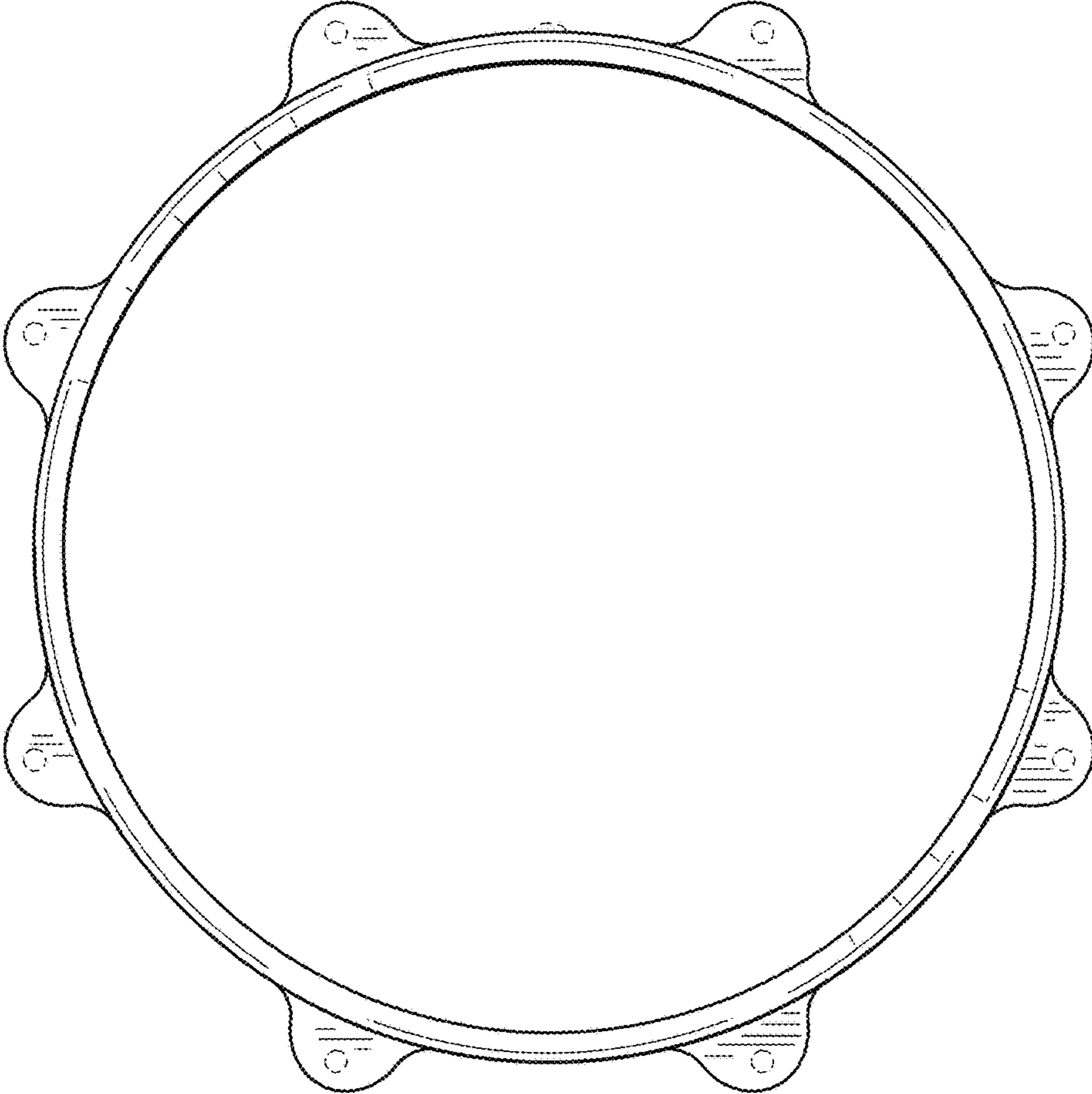


FIG. 3

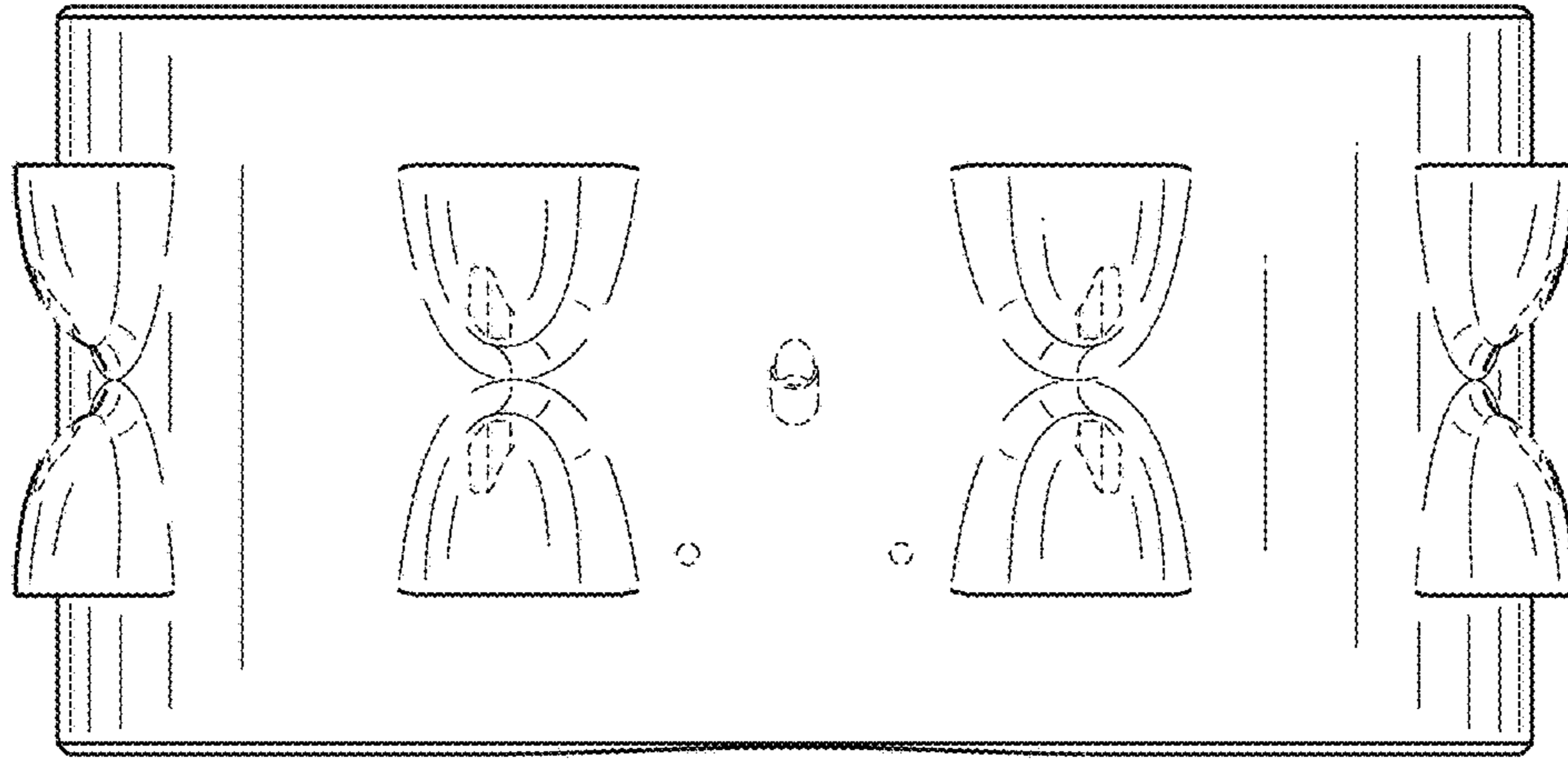


FIG. 4

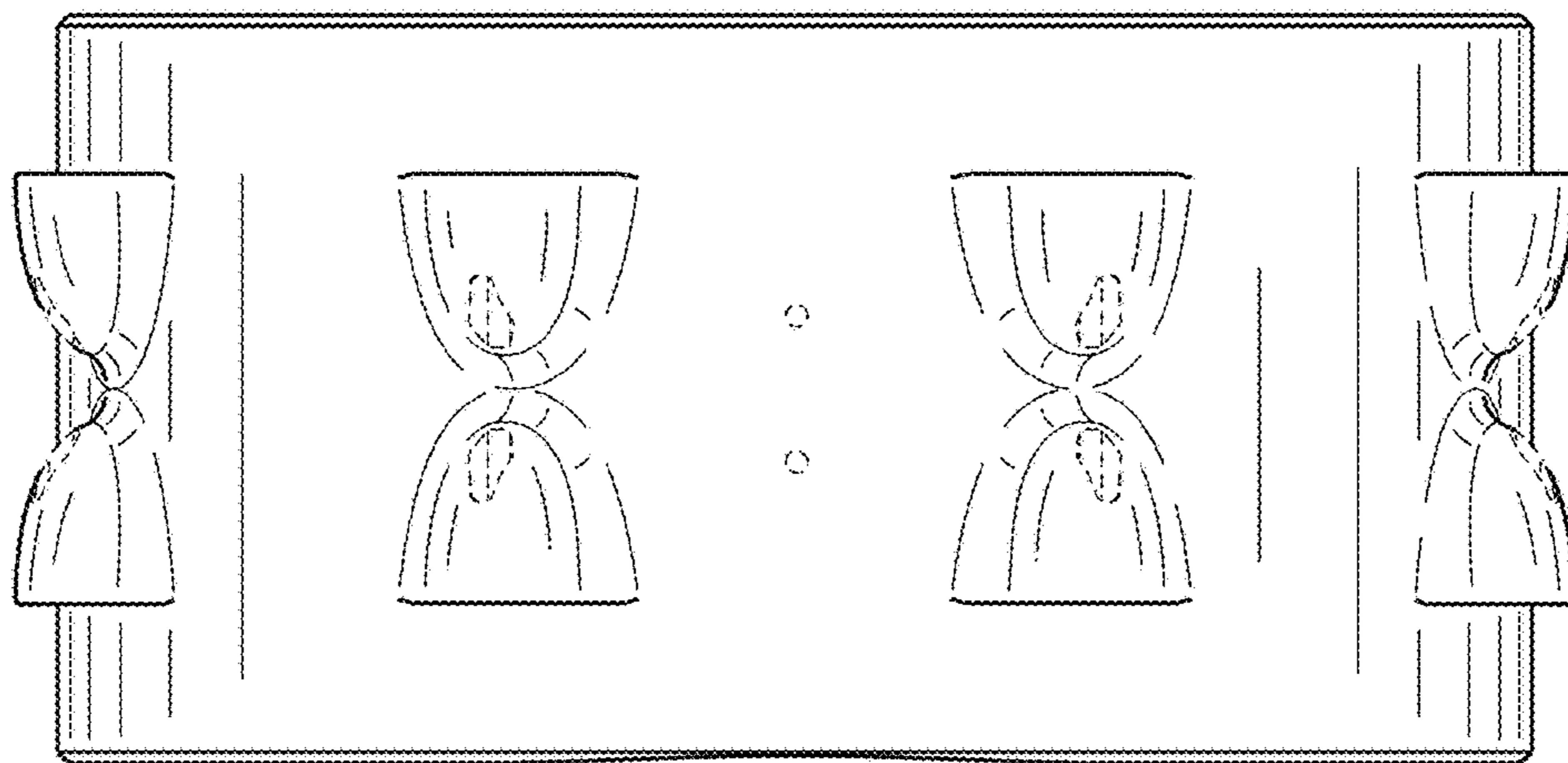


FIG. 5

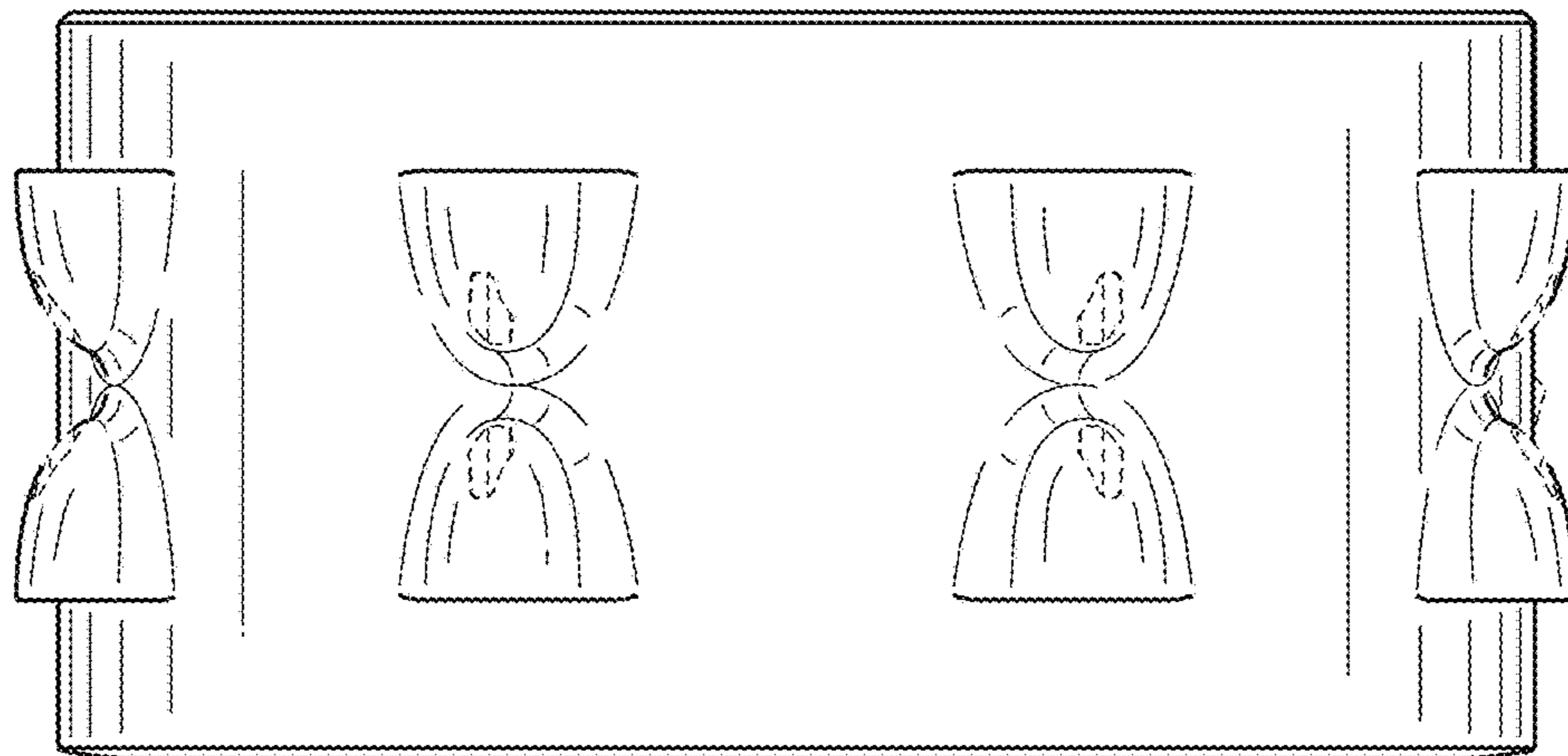


FIG. 6

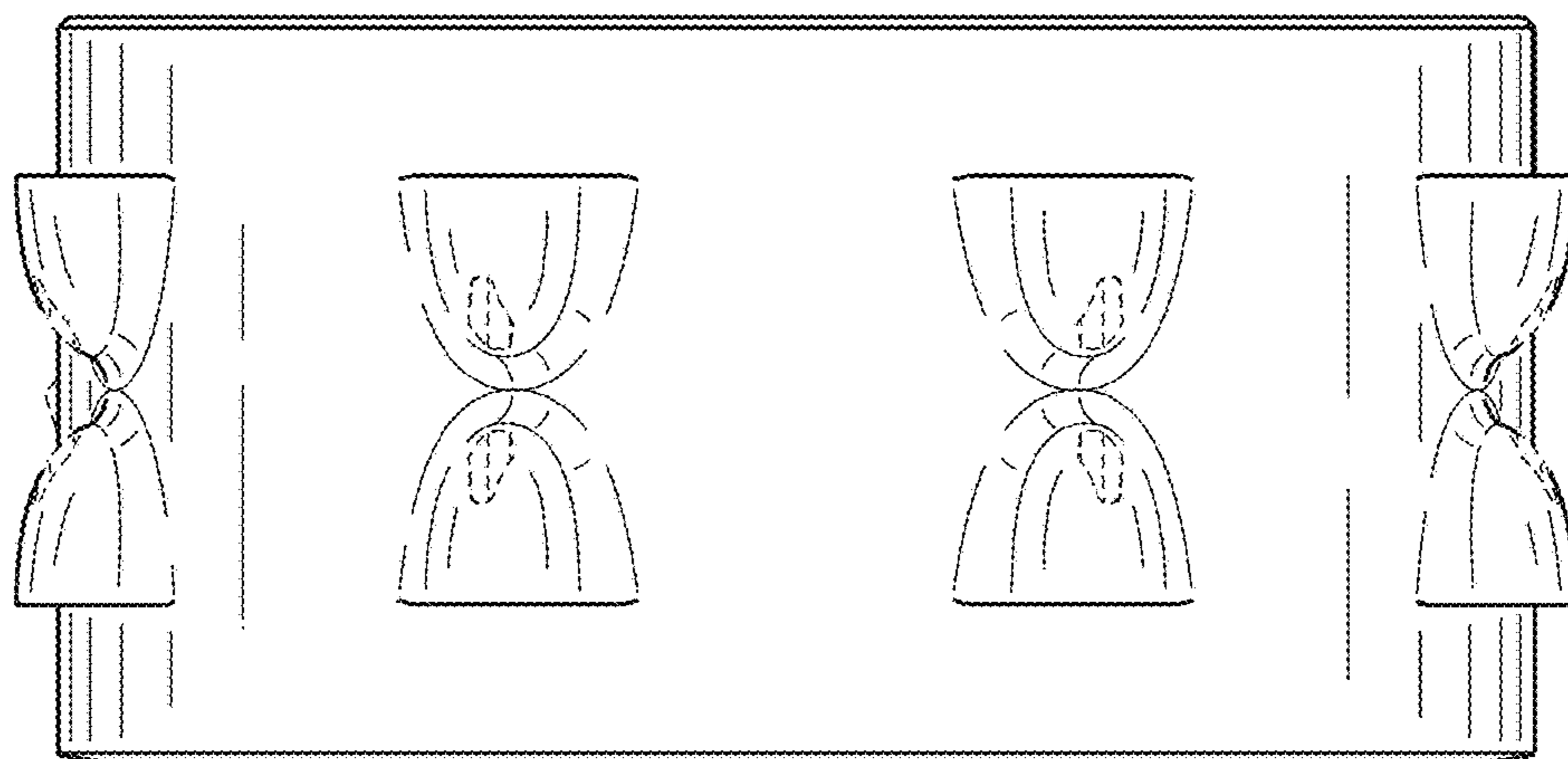


FIG. 7