



US00D868142S

(12) **United States Design Patent** (10) **Patent No.:** **US D868,142 S**
Li (45) **Date of Patent:** **** Nov. 26, 2019**

(54) **MULTI-FUNCTIONAL TRIPOD**
(71) Applicant: **Shenzhen Youbaise Technology Co., Ltd., Shenzhen (CN)**
(72) Inventor: **Dinglan Li, Shenzhen (CN)**
(**) Term: **15 Years**
(21) Appl. No.: **29/663,069**
(22) Filed: **Sep. 12, 2018**
(51) **LOC (12) Cl.** **16-05**
(52) **U.S. Cl.**
USPC **D16/244**
(58) **Field of Classification Search**
USPC D16/219, 237-250; D8/354, 355, 363, D8/373, 382-383, 394-396; D14/224, D14/229, 238, 251, 447, 451, 457
CPC A45F 2200/0508-0533; A45F 5/00; A45F 5/10; F16M 11/06-10; F16M 11/14; G02B 7/00-002; G03B 17/56; G03B 17/561-568; H04N 5/2253-2254
See application file for complete search history.

D843,435 S * 3/2019 Balmer D16/244
2001/0025905 A1* 10/2001 Carpenter A61B 17/02
248/160
2011/0199759 A1* 8/2011 Bevirt F16M 11/40
362/187

OTHER PUBLICATIONS

Phone Tripod Rig, UBeesize Flexible Smartphone. [online] Published on Sep. 10, 2018. Retrieved Aug. 19, 2019 from URL: https://www.amazon.com/UBeesize-Smartphone-Filmmaking-Recording-Compatible/dp/B07H7YNWHD/ref=sr_1_46?keywords=flexible+tripod&qid=1566233845&s=electronics&sr=1-46.
Phone Tripod Stand, Octopus Adjustable Phone Tripod. [online] Published on Aug. 17, 2017. Retrieved Aug. 19, 2019 from URL: <https://www.amazon.com/Octopus-Adjustable-Universal-Shutter-Smartphones/dp/B00422D950>.

* cited by examiner

Primary Examiner — Vy N Koenig

(57) **CLAIM**

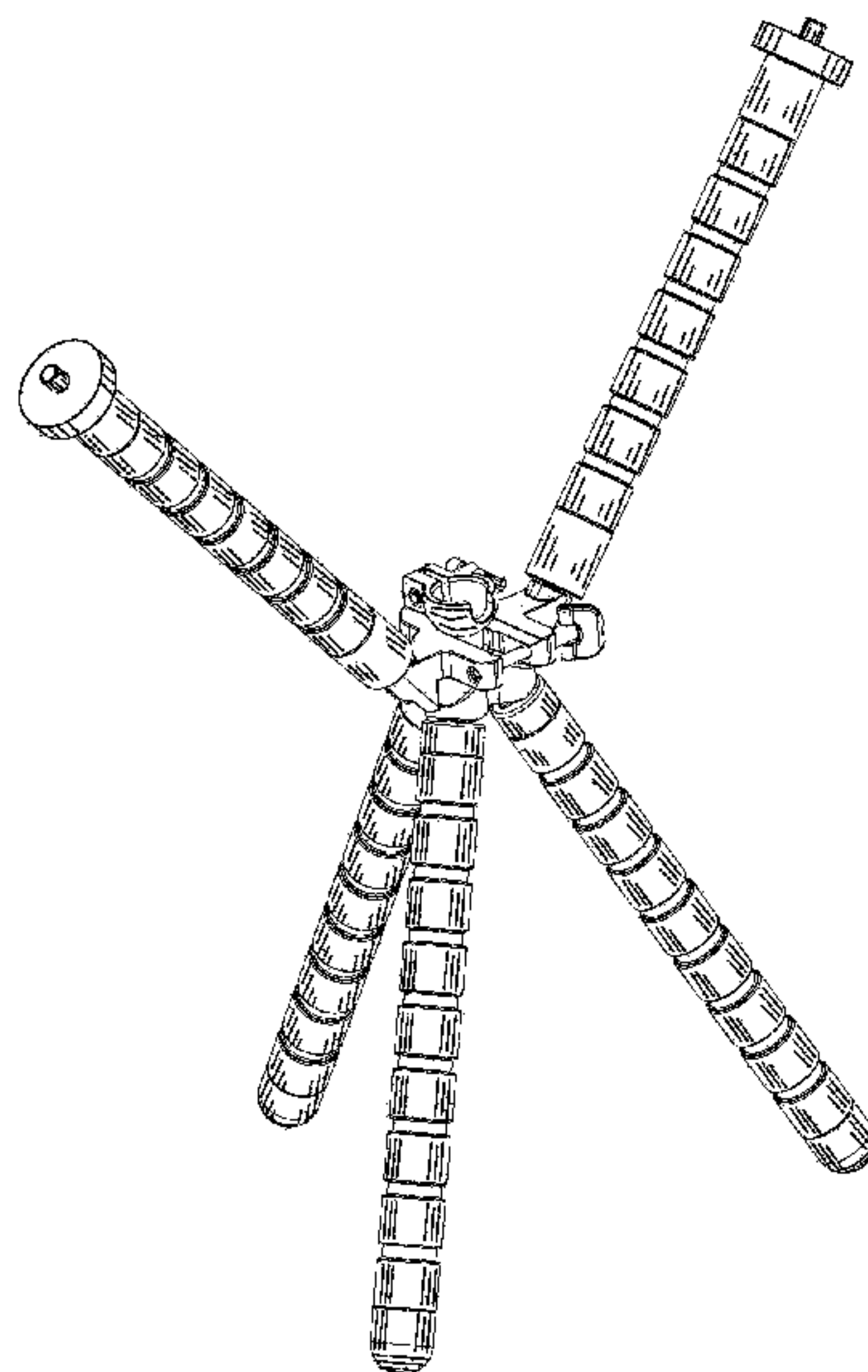
The ornamental design for a multi-functional tripod, as shown and described.

DESCRIPTION

FIG. 1 is a first perspective view showing a multi-functional tripod showing my new design;
FIG. 2 is a second perspective view thereof;
FIG. 3 is a third perspective view thereof;
FIG. 4 is a front view thereof;
FIG. 5 is a back view thereof;
FIG. 6 is a right side view thereof;
FIG. 7 is a left side view thereof;
FIG. 8 is a top view thereof; and,
FIG. 9 is a bottom view thereof.

1 Claim, 9 Drawing Sheets

(56) **References Cited**
U.S. PATENT DOCUMENTS
5,647,565 A * 7/1997 Wei F16M 11/10
248/168
D607,036 S * 12/2009 Darrow D16/242
D607,917 S * 1/2010 Darrow D16/242
8,296,886 B2 * 10/2012 Vestergaard A47C 7/40
5/621
D716,642 S * 11/2014 Harges D8/380
9,945,510 B1 * 4/2018 Reitberger F16M 11/40
D829,806 S * 10/2018 Balmer D16/242
D829,807 S * 10/2018 Balmer D16/244
D840,464 S * 2/2019 Balmer D16/244



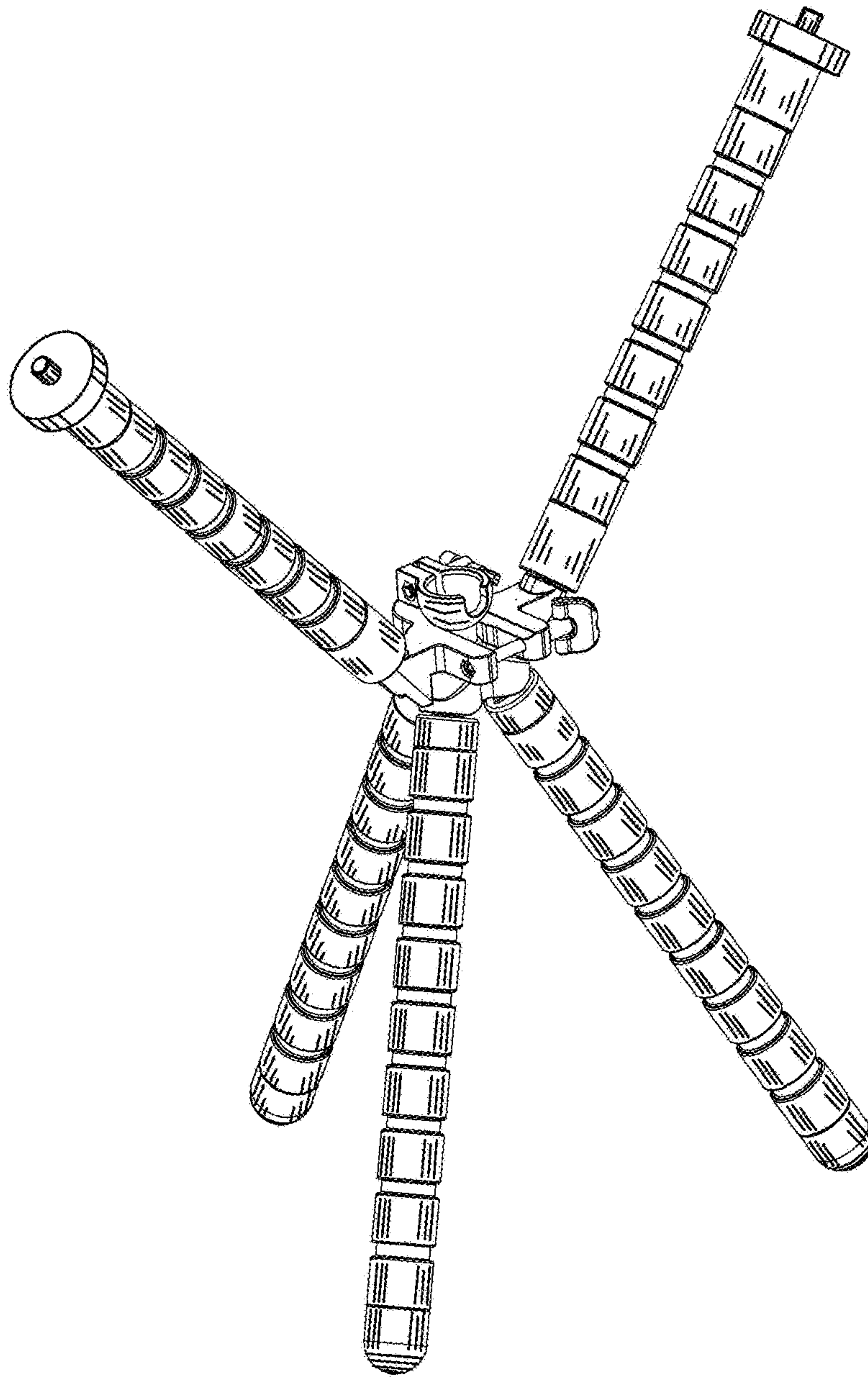


FIG.1

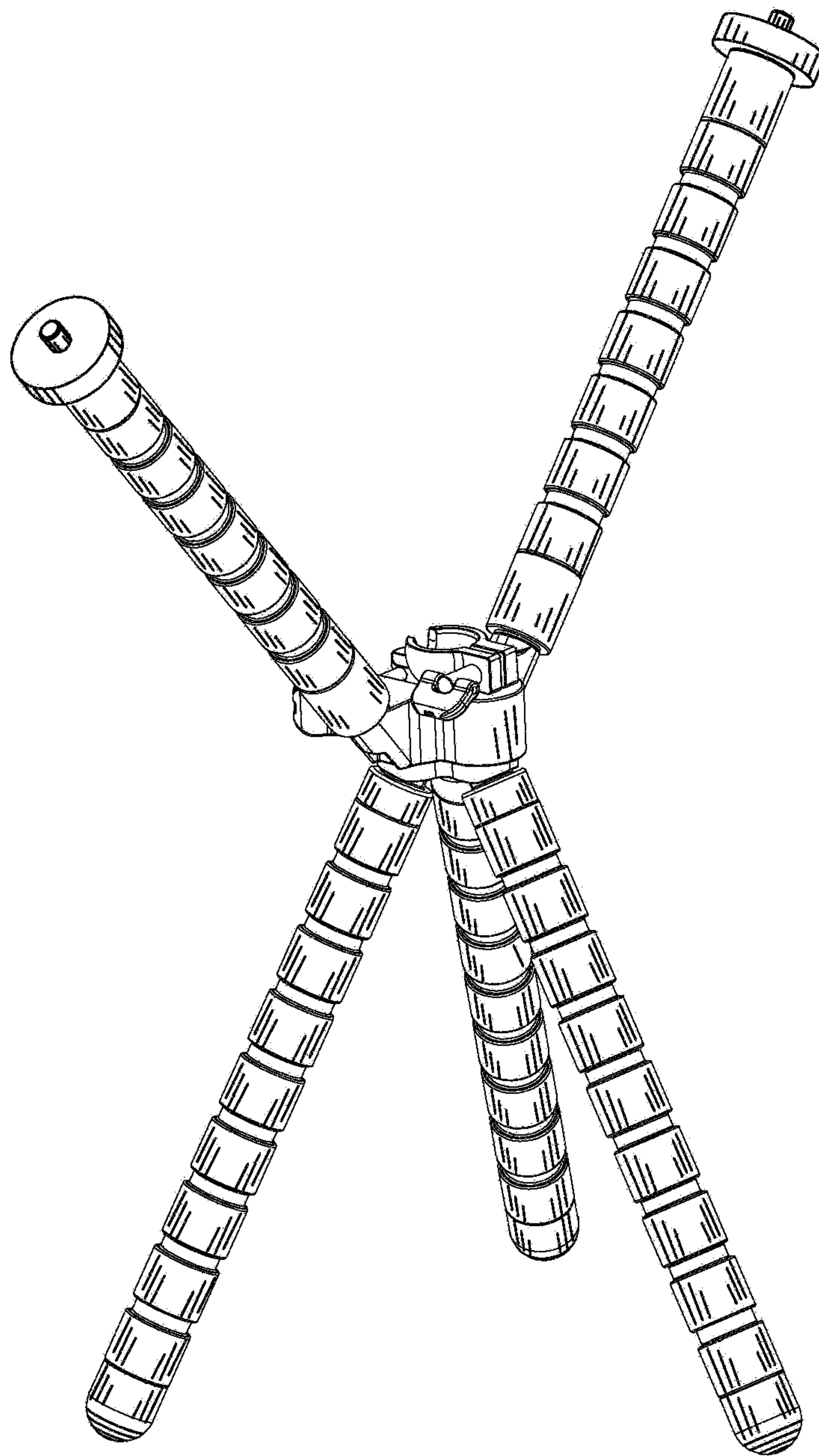


FIG.2

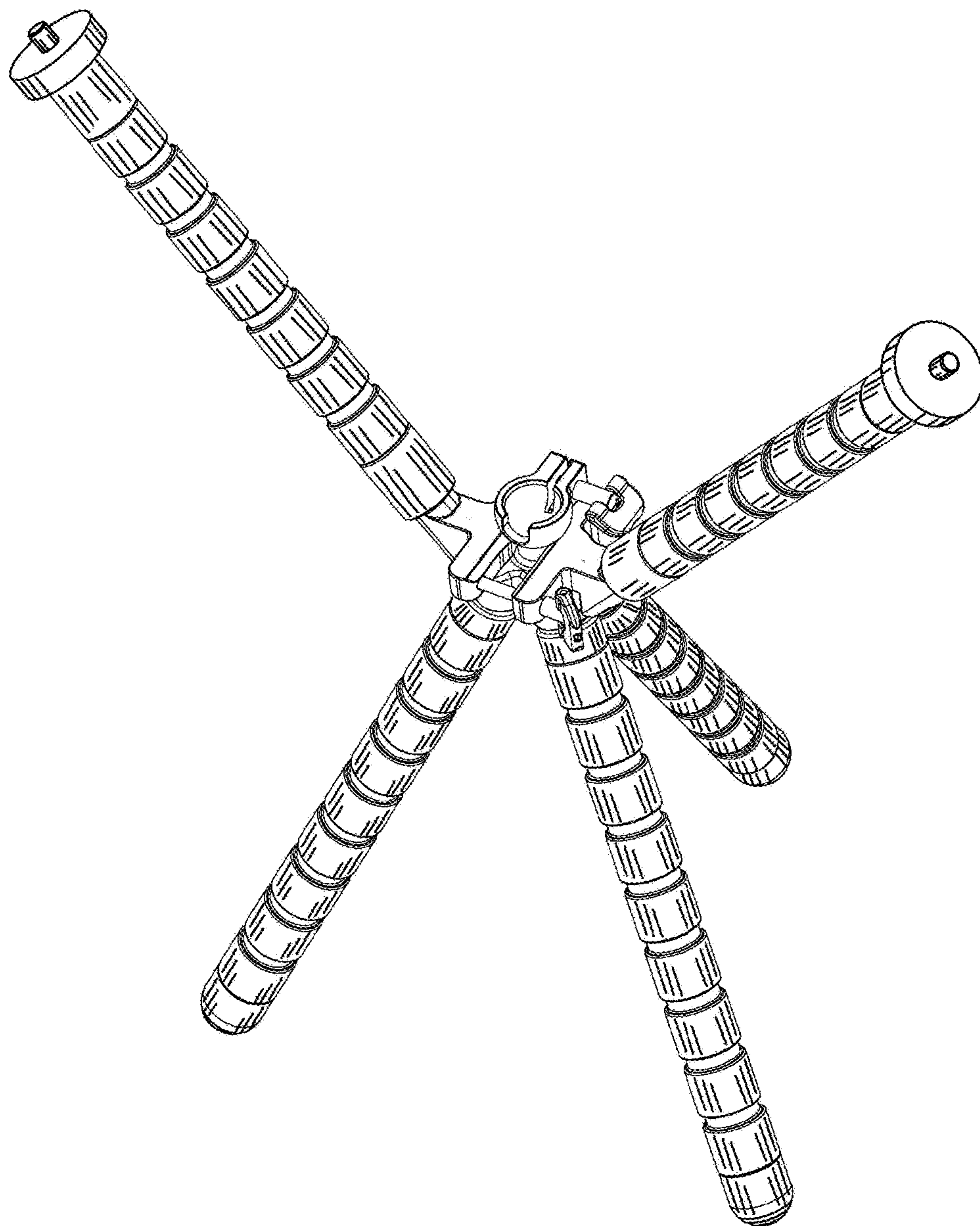


FIG.3

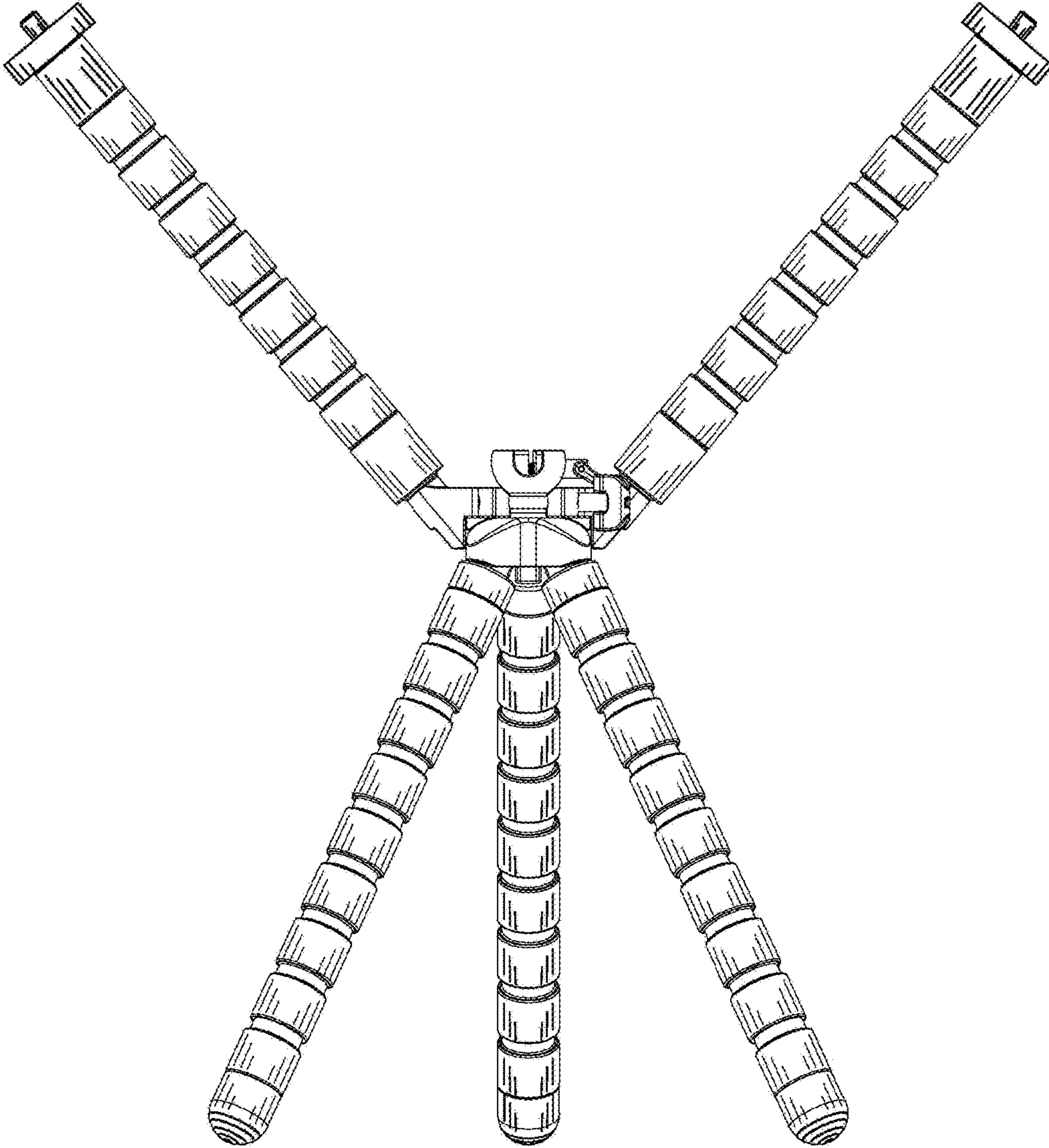


FIG.4

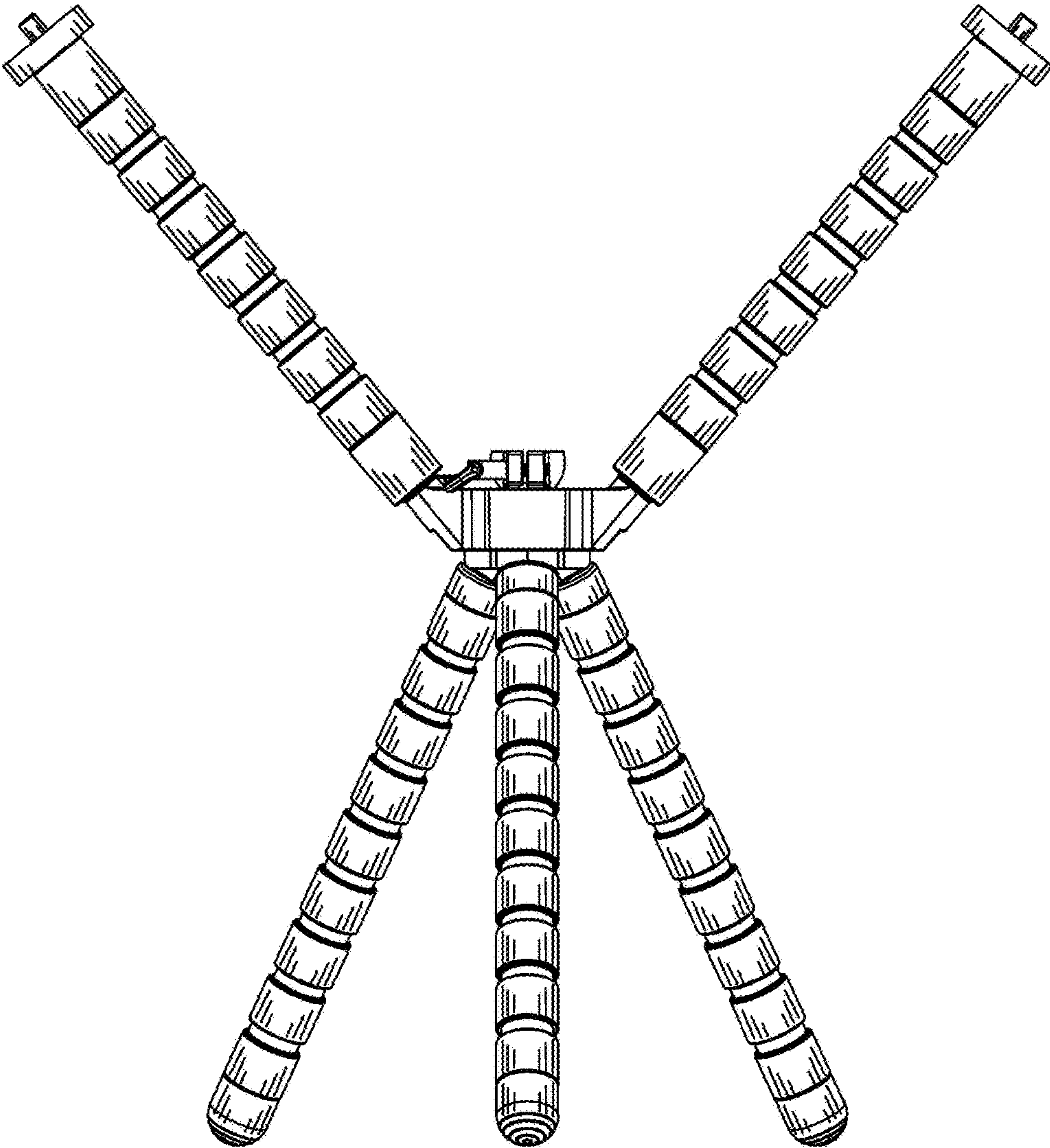


FIG.5

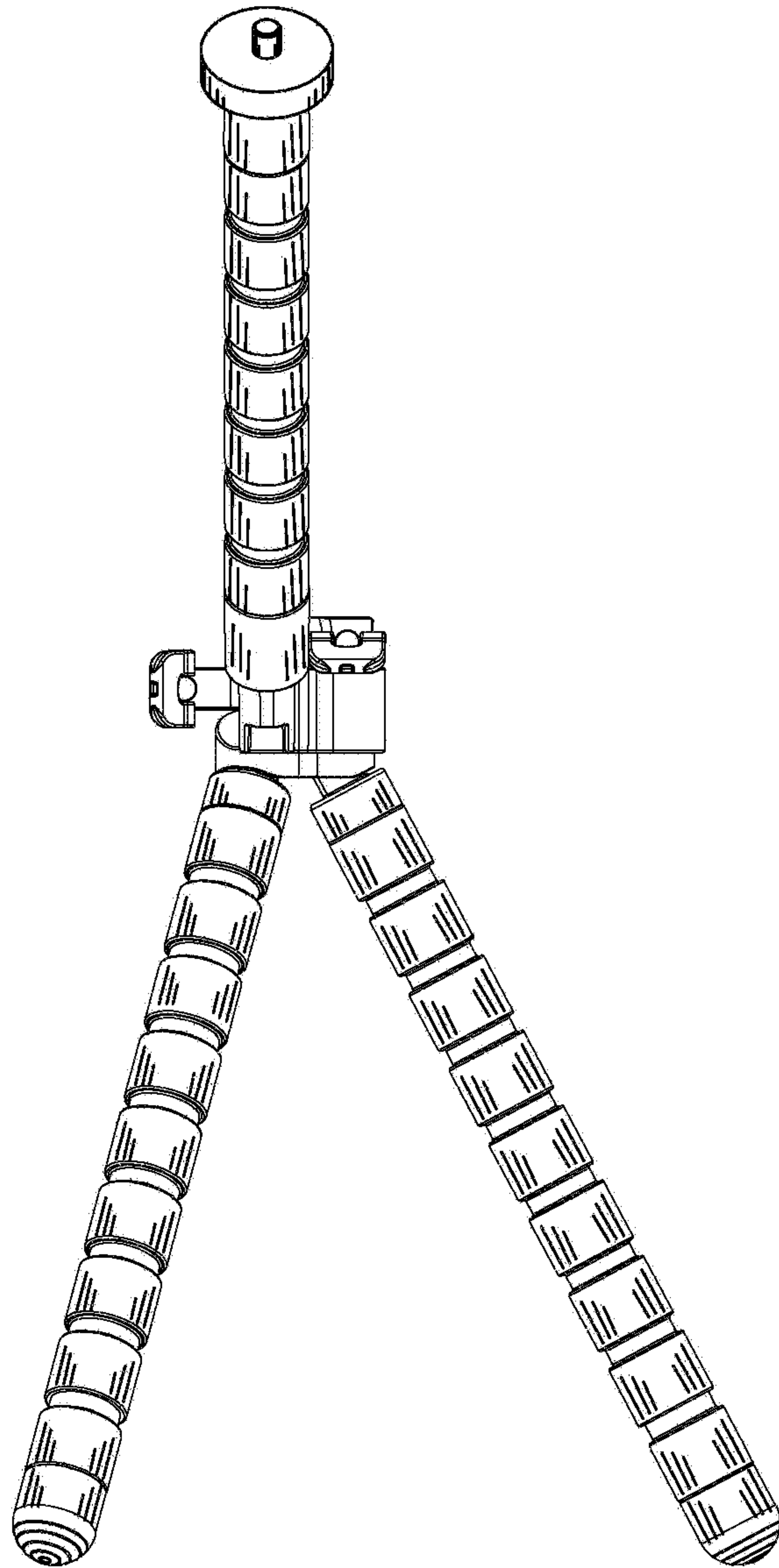


FIG.6

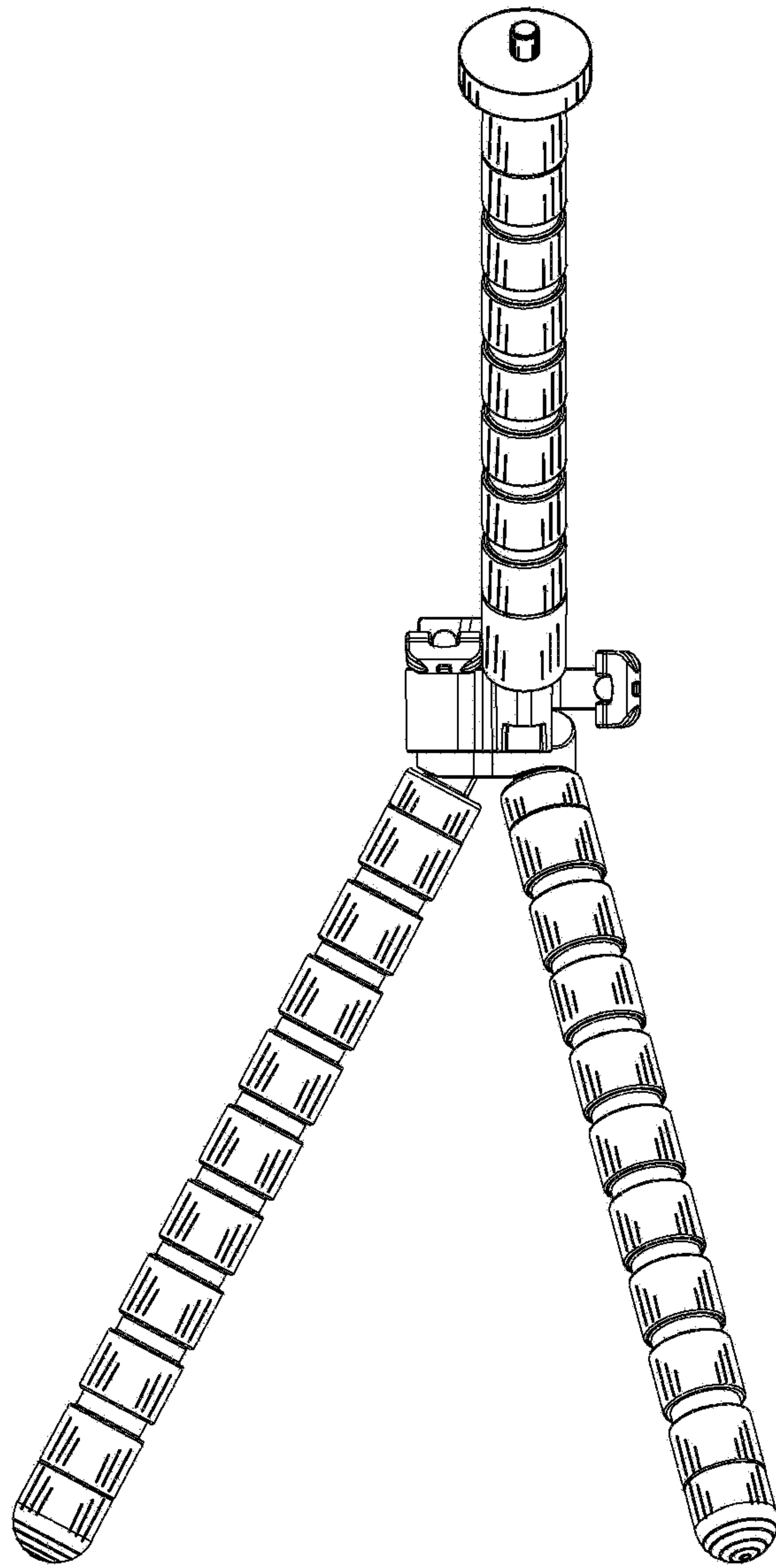


FIG.7

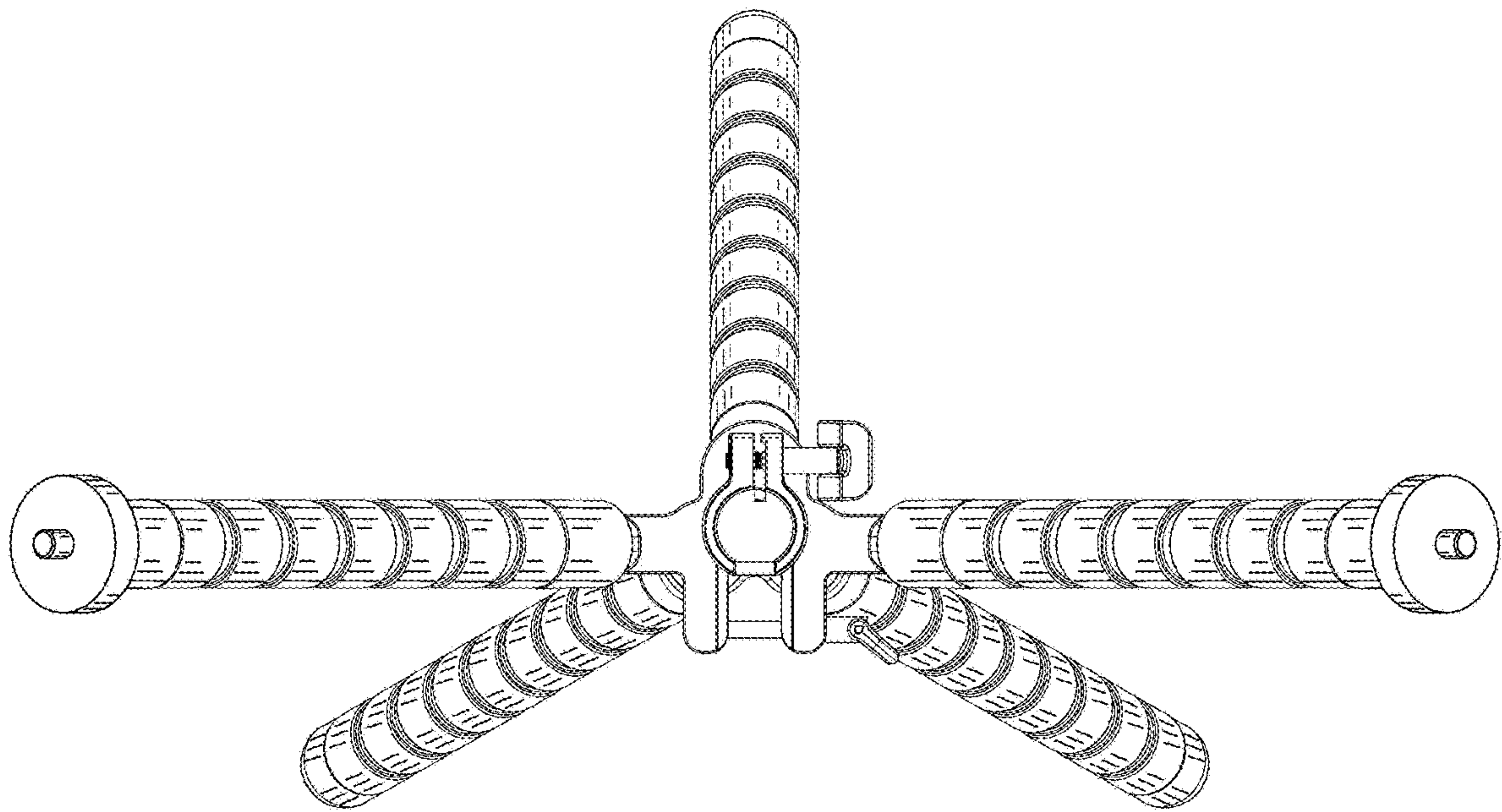


FIG.8

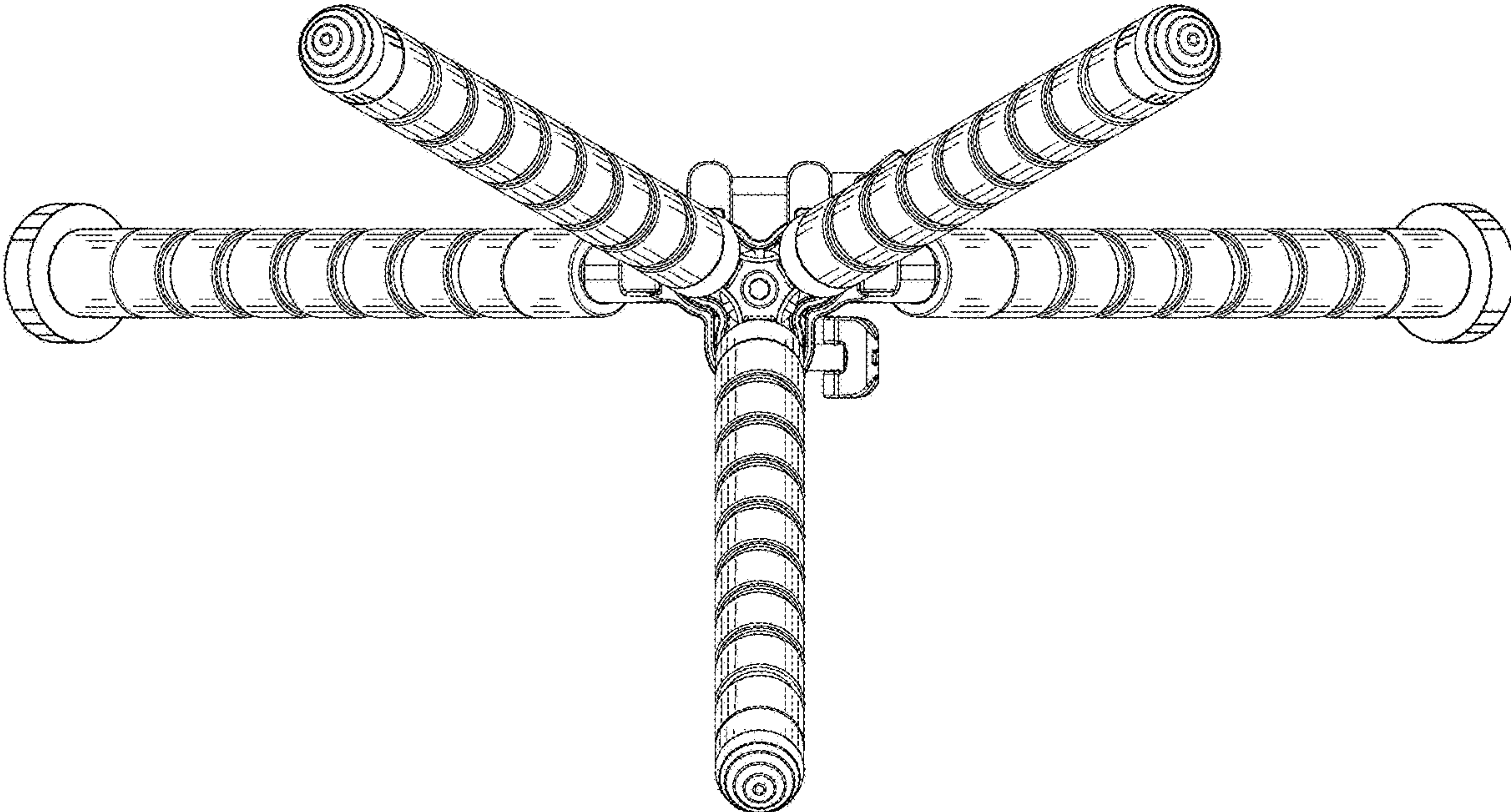


FIG.9