



US00D868140S

(12) **United States Design Patent** (10) **Patent No.:** **US D868,140 S**
Dordick (45) **Date of Patent:** **** Nov. 26, 2019**

(54) **CAMERA MOUNT**
(71) Applicant: **Scott David Dordick**, La Verne, CA (US)
(72) Inventor: **Scott David Dordick**, La Verne, CA (US)
(**) Term: **15 Years**
(21) Appl. No.: **29/632,525**
(22) Filed: **Jan. 8, 2018**
(51) **LOC (12) Cl.** **16-05**
(52) **U.S. Cl.**
USPC **D16/242**
(58) **Field of Classification Search**
USPC D16/219, 237-250; D14/224, 229, 238, D14/251, 253; D8/354, 355, 363, 373, D8/382-383, 394-396
CPC F16M 11/06-10; F16M 11/14; G02B 7/00-002; G03B 17/56; G03B 17/561-568; H04N 5/2253-2254; A45F 2200/0508-0533; A45F 5/00; A45F 5/10
See application file for complete search history.

2005/0196163 A1* 9/2005 Mootz F16M 11/041 396/428
2012/0013791 A1* 1/2012 Zhan F16M 11/041 348/373
2012/0049019 A1* 3/2012 Chen F16B 2/185 248/206.2

OTHER PUBLICATIONS

Generic Helmet Extension Selfie Photo Kit & Curved Adhesive Mount. [online] Published on Dec. 2, 2013. Retrieved Jan. 8, 2019 from URL: <https://www.kanbkam.com/sa/en/generic-helmet-extension-selfie-photo-kit-curved-adhesive-mount-for-gopro-hero-5-4-3-sijcam-action-camera-WSA2665242>.*

* cited by examiner

Primary Examiner — Vy N Koenig

(57) **CLAIM**

The ornamental design for a camera mount, as shown and described.

DESCRIPTION

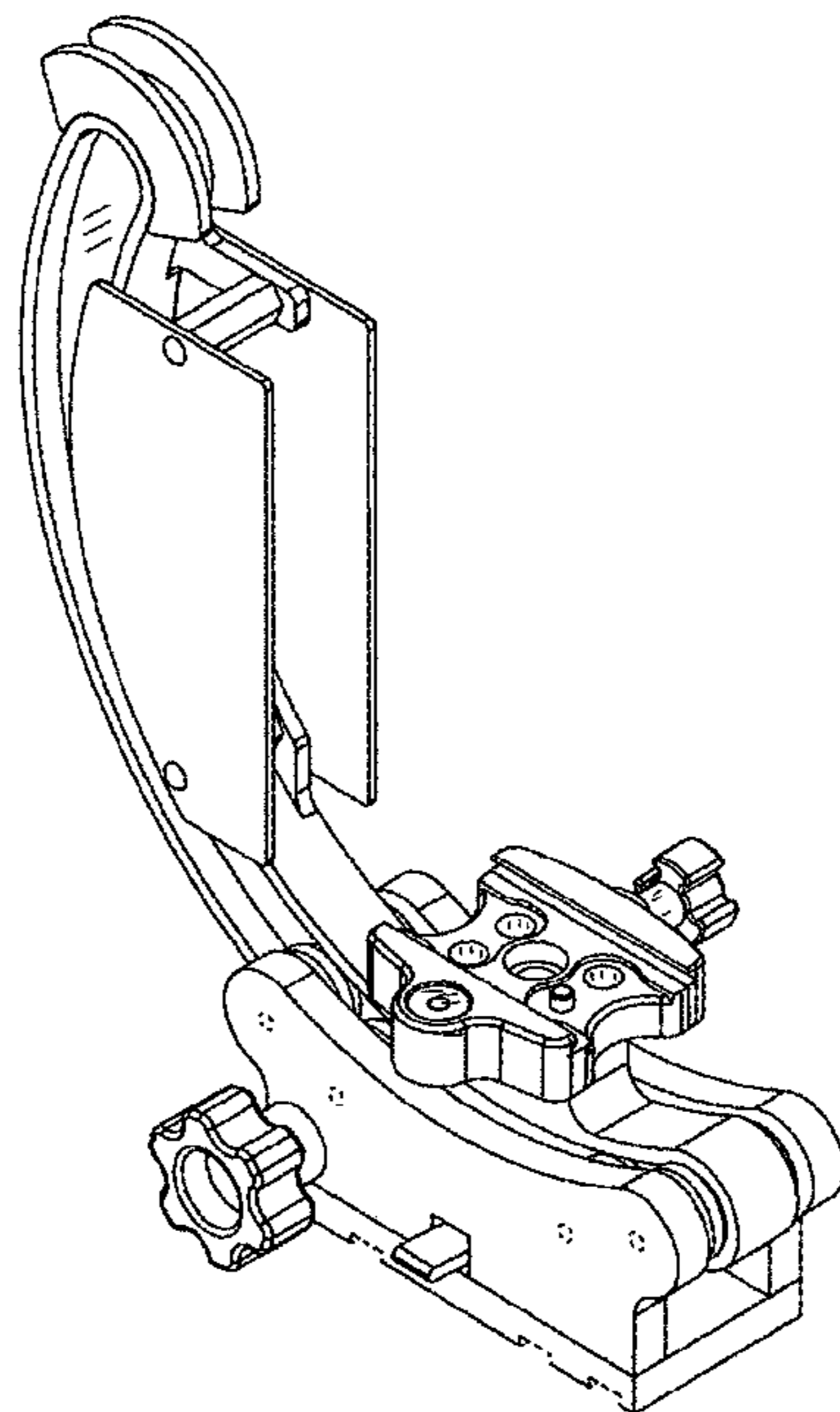
FIG. 1 is a front, right and top perspective view of a camera mount showing my new design;
FIG. 2 is a front view thereof;
FIG. 3 is a rear view thereof;
FIG. 4 is a left side view thereof;
FIG. 5 is a right side view thereof;
FIG. 6 is a top view thereof;
FIG. 7 is a bottom view thereof; and,
FIG. 8 is a front, left and top perspective view of the camera mount of FIG. 1 in a rotated configuration.
The broken lines shown in the drawings represent portions of the camera mount that form no part of the claimed design.

1 Claim, 7 Drawing Sheets

(56) **References Cited**

U.S. PATENT DOCUMENTS

D419,854 S * 2/2000 Brousseau D8/354
D449,973 S * 11/2001 Ferrer Beltran D8/354
D681,029 S * 4/2013 Richter D14/253
8,891,232 B2 * 11/2014 Wang G06F 1/1637 248/121
D754,778 S * 4/2016 Terashita D16/242
D771,734 S * 11/2016 Samuels D16/245
D835,493 S * 12/2018 Chun D8/354
10,172,405 B2 * 1/2019 Volmer A45F 5/02



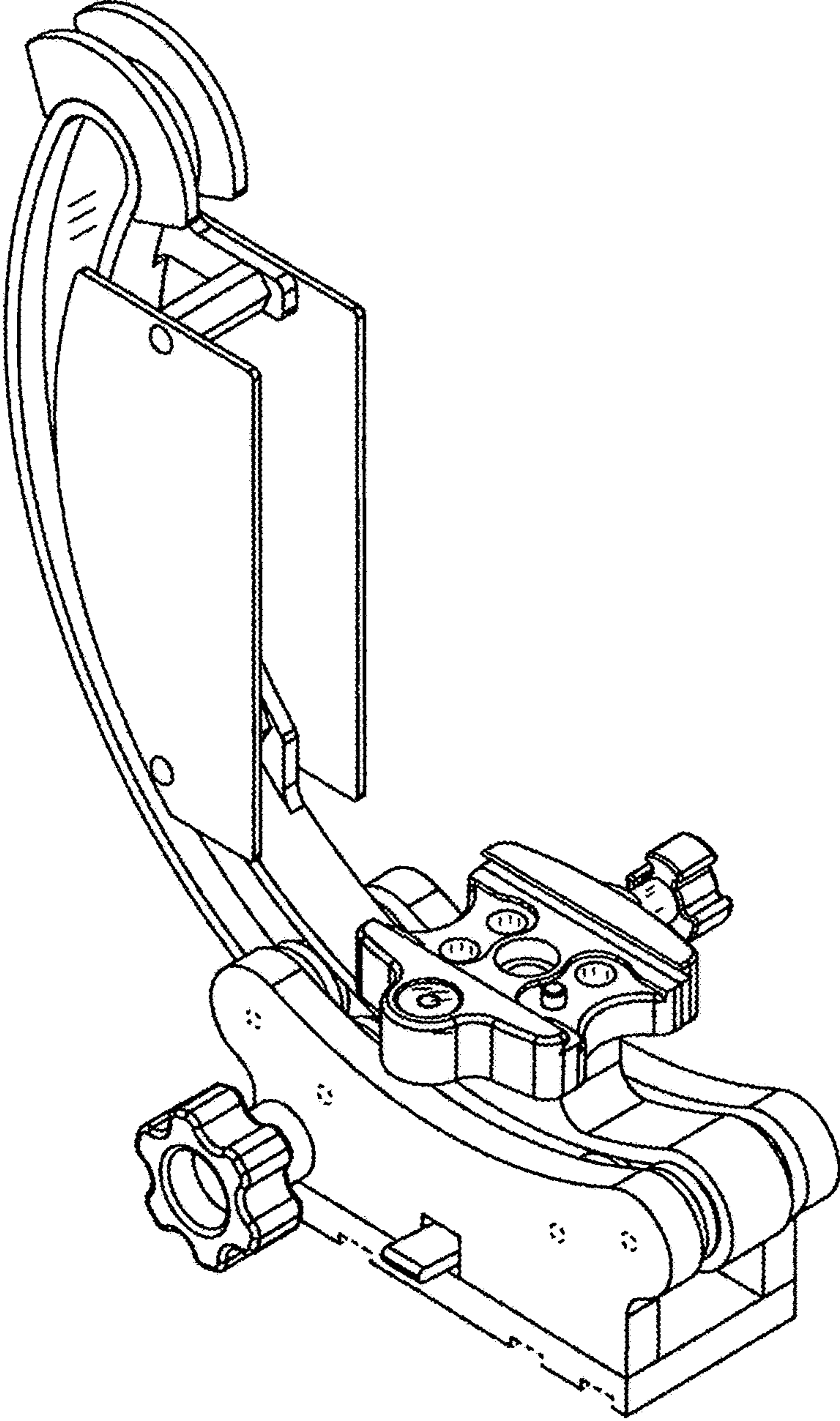


FIG. 1

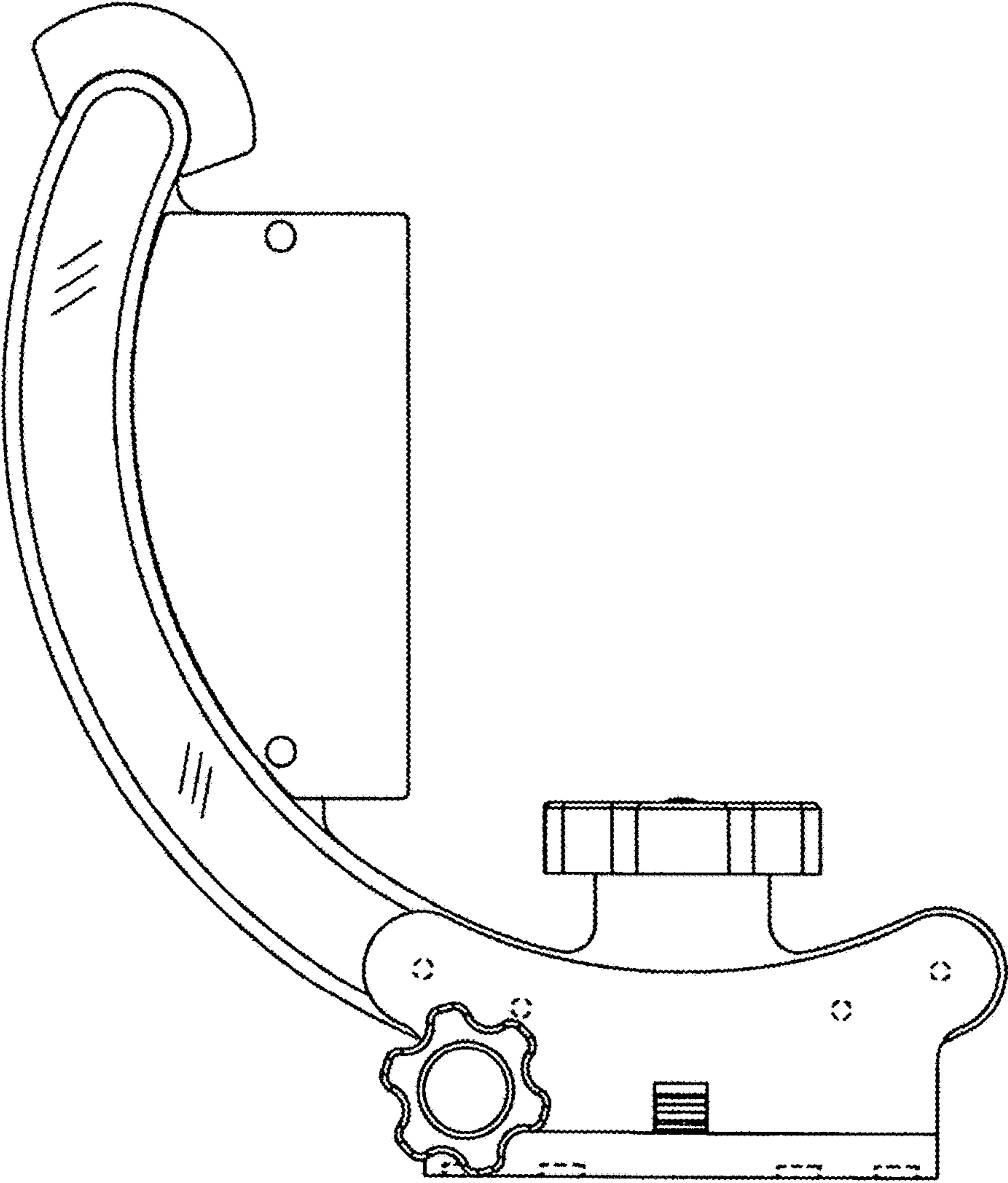


FIG. 2

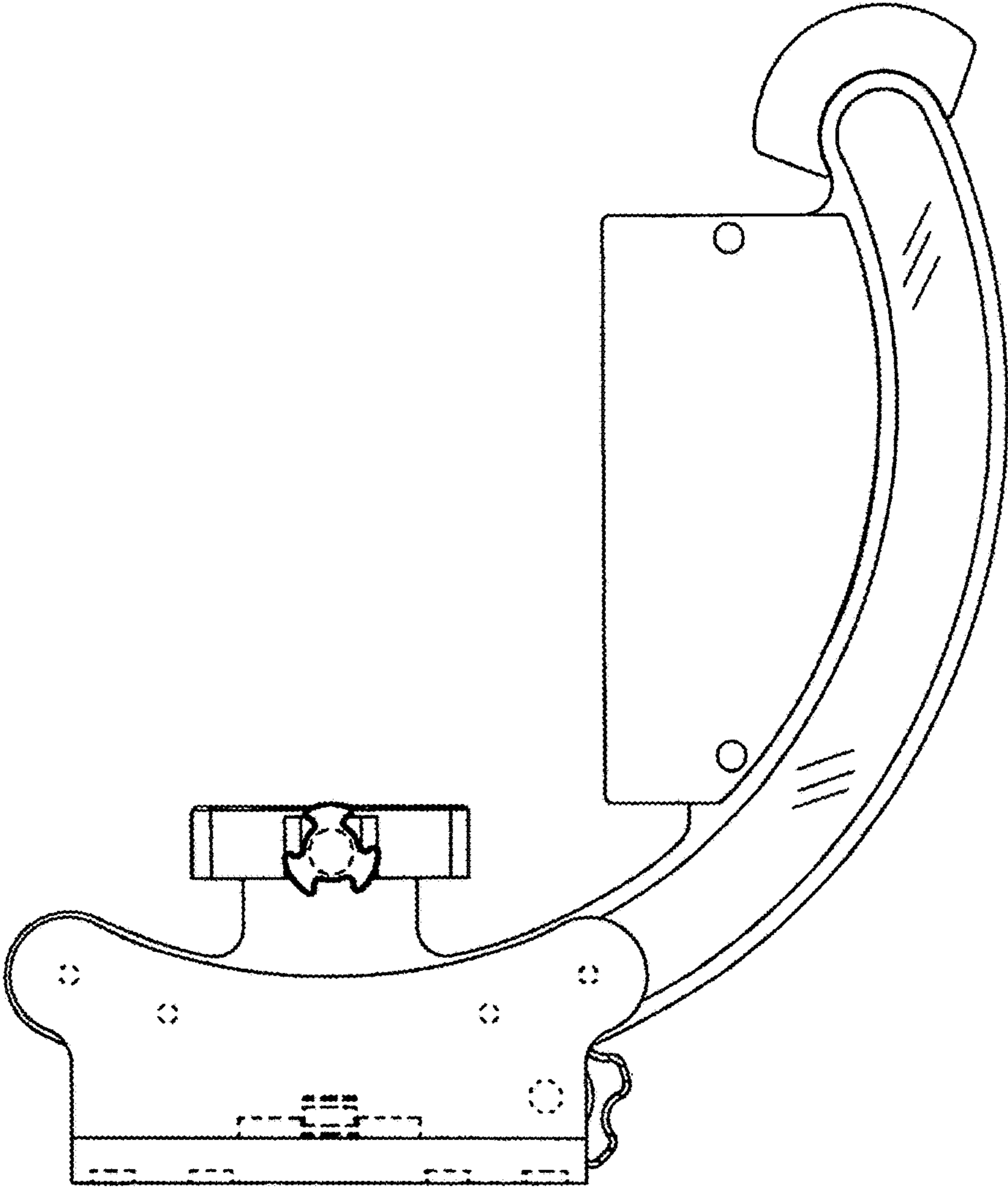


FIG. 3

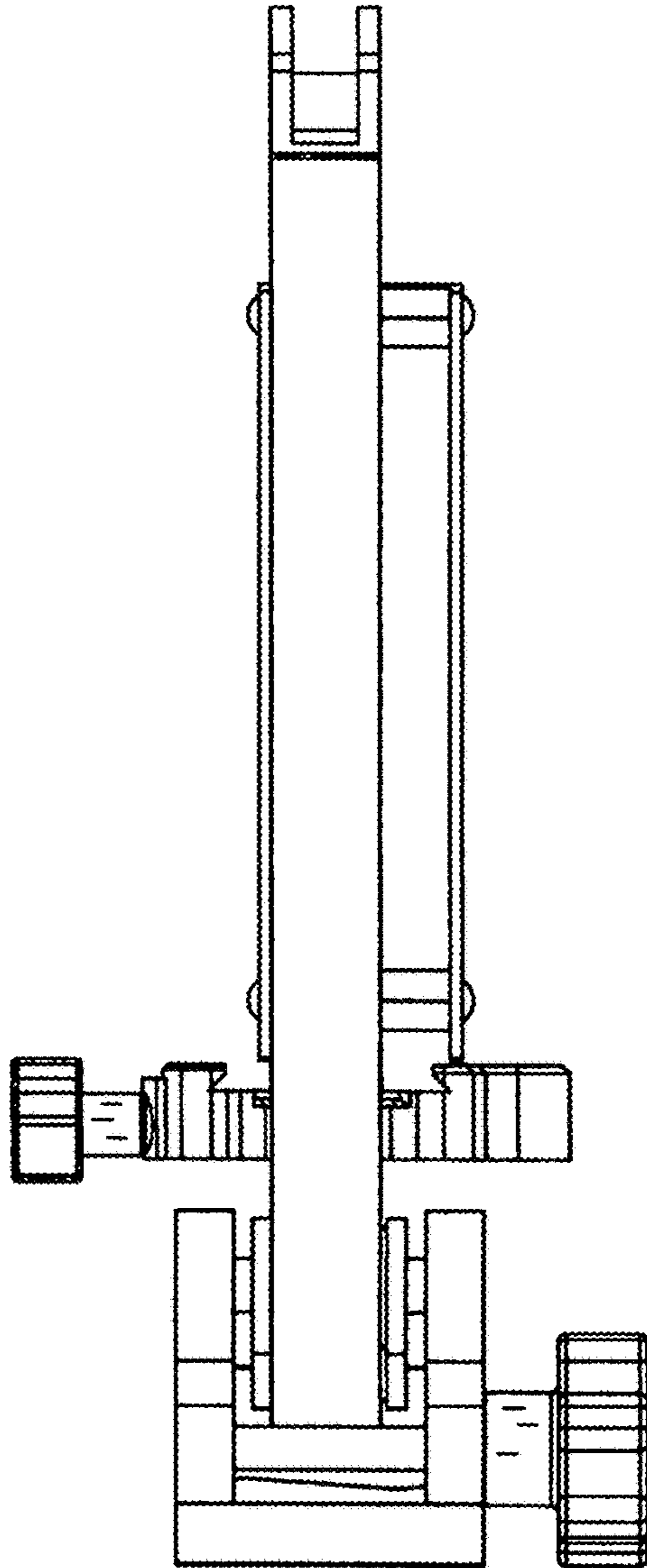


FIG. 4

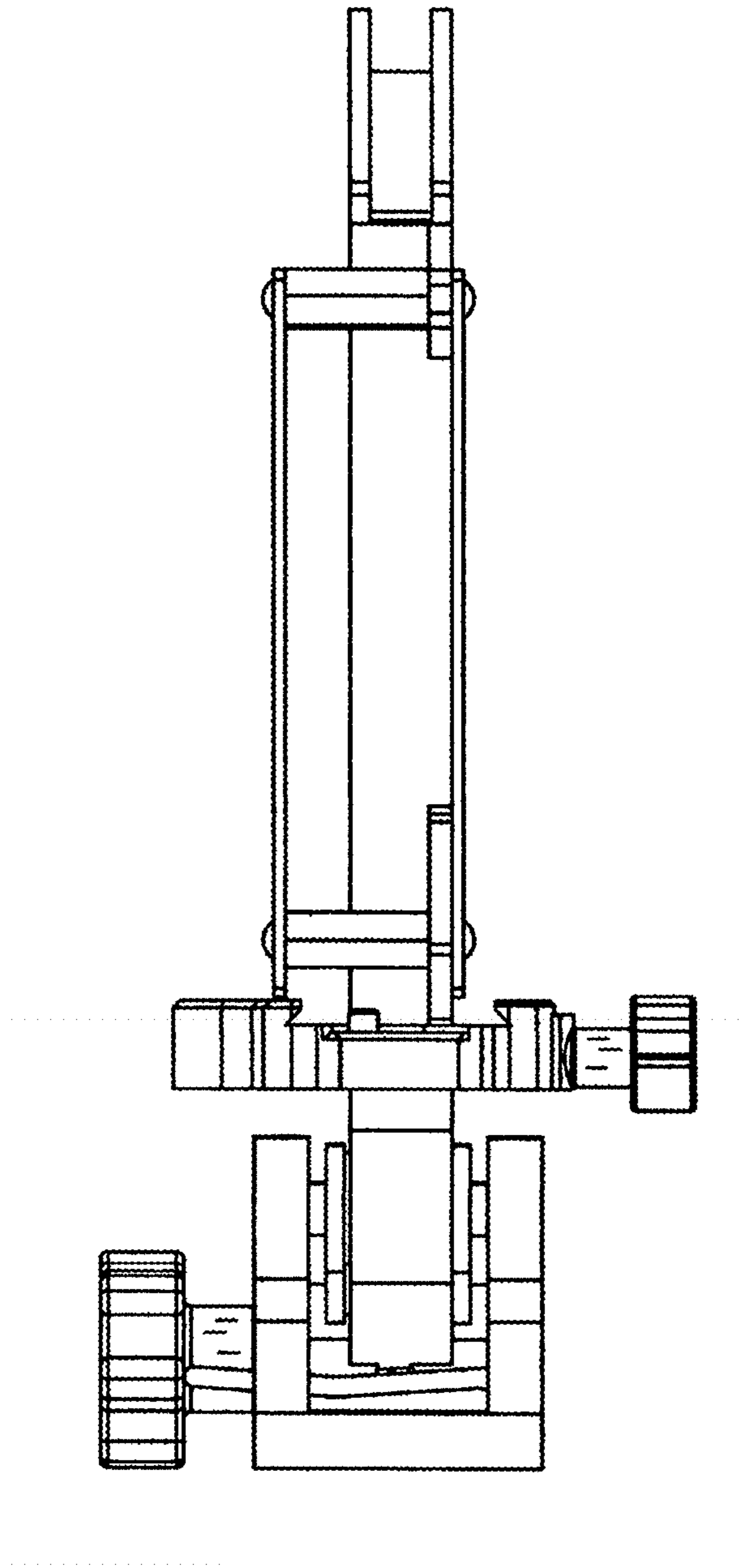


FIG. 5

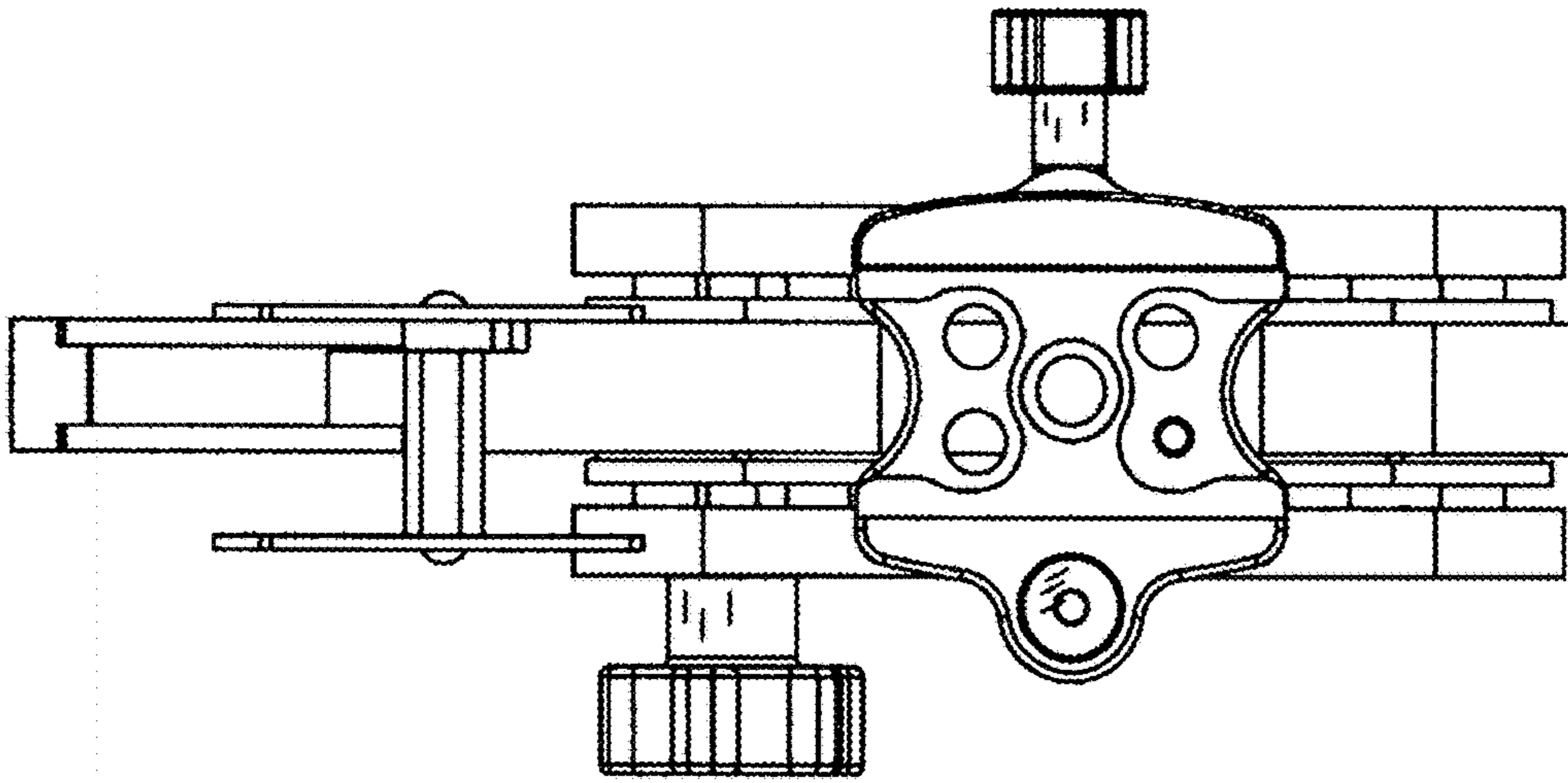


FIG. 6

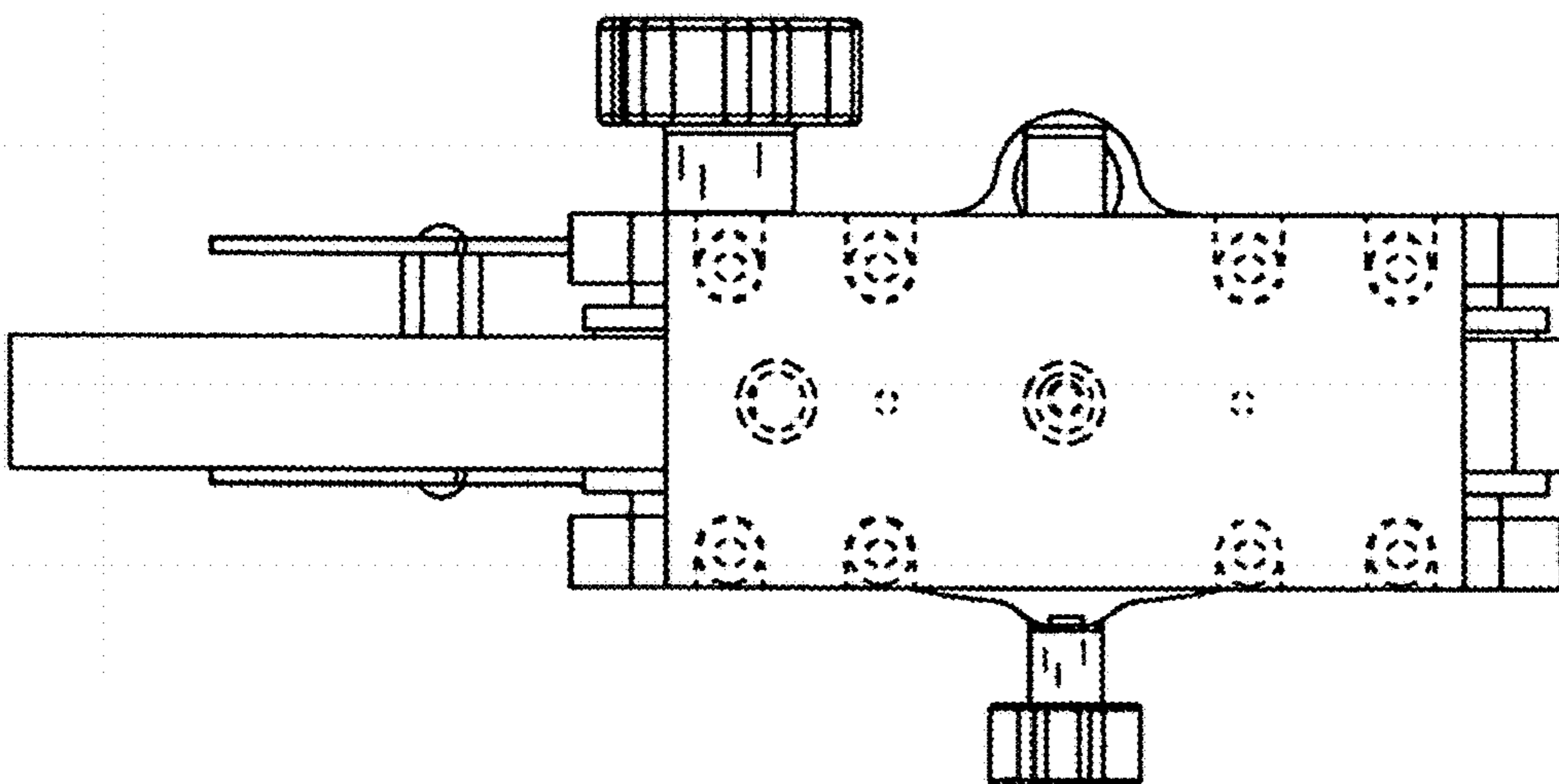


FIG. 7

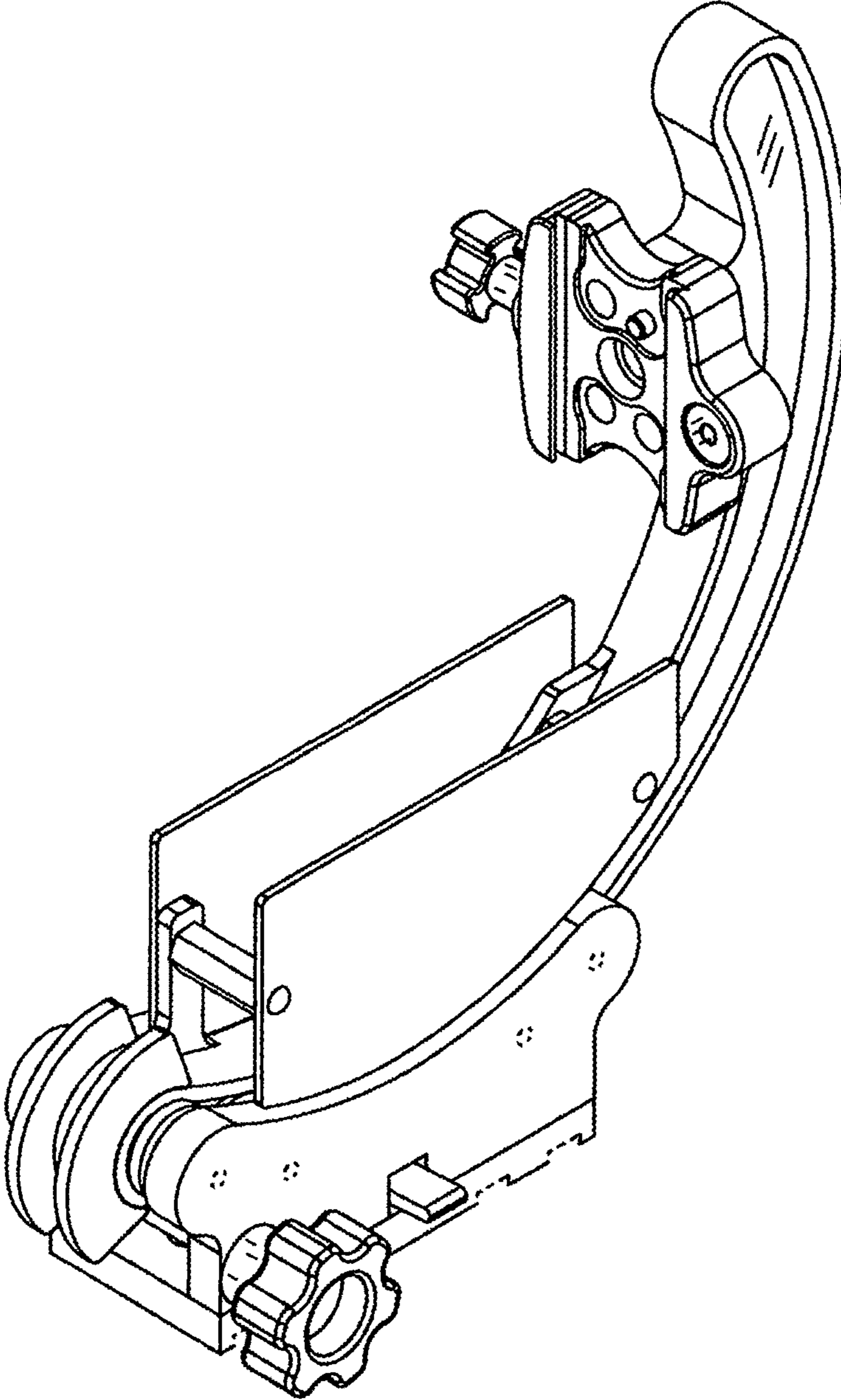


FIG. 8