



US00D868139S

(12) **United States Design Patent** (10) **Patent No.:** **US D868,139 S**
Zhou (45) **Date of Patent:** **** Nov. 26, 2019**

(54) **CAMERA LIGHT**
(71) Applicant: **Cuicui Zhou, Jiayi (CN)**
(72) Inventor: **Cuicui Zhou, Jiayi (CN)**
(**) Term: **15 Years**
(21) Appl. No.: **29/658,565**
(22) Filed: **Aug. 1, 2018**
(51) **LOC (12) Cl.** **16-05**
(52) **U.S. Cl.**
USPC **D16/239**
(58) **Field of Classification Search**
USPC D16/219, 237–250; D8/354, 355, 363,
D8/373, 382–383, 394–396; D14/224,
D14/229, 238, 251, 447, 451, 457
CPC A45F 2200/0508–0533; A45F 5/00; A45F
5/10; F16M 11/06–10; F16M 11/14;
G02B 7/00–002; G03B 17/56; G03B
17/561–568; G03B 15/02–05; H04N
5/2253–2254
See application file for complete search history.

(56) **References Cited**

U.S. PATENT DOCUMENTS

D375,568 S * 11/1996 Matthies D12/114
D529,375 S * 10/2006 Cetera D8/395
D559,248 S * 1/2008 Heshes D14/480.5
D559,673 S * 1/2008 Dash D8/395
D565,662 S * 4/2008 Reardon D19/65
D586,942 S * 2/2009 Chan D26/118
D607,313 S * 1/2010 Larocque D8/394
D608,629 S * 1/2010 Daugherty D8/395
D651,363 S * 12/2011 Connelly D30/136
D674,378 S * 1/2013 Ishinabe D14/224
D684,849 S * 6/2013 Bylsma D8/395
D703,267 S * 4/2014 Harvey Pennaz D19/86
D792,631 S * 7/2017 Sonneman D26/87
D794,437 S * 8/2017 Zinser D8/395
D795,050 S * 8/2017 Kim D8/395
D822,475 S * 7/2018 Golnik D8/395
D832,655 S * 11/2018 Breit D7/620
D853,825 S * 7/2019 Weinerman D8/354

2015/0042877 A1* 2/2015 O'Neill H04N 5/2254
348/376
2017/0118385 A1* 4/2017 Vargas A45D 42/10
2019/0121392 A1* 4/2019 Spevak G06F 1/1628

OTHER PUBLICATIONS

Selfie Ring Light Hongdayi Clip On. [online] Published on Jan. 30, 2018. Retrieved Aug. 12, 2019 from URL: https://www.amazon.com/Hongdayi-3-Level-Brightness-Motorola-Photography/dp/B078W66YNN/ref=sr_1_3?keywords=Selfie+Ring+Light%2CHongdayi&qid=1565615171&s=wireless&sr=1-3.
Auxiwa Clip on Selfie Ring Light. [online] Published on Apr. 28, 2016. Retrieved Aug. 12, 2019 from URL: https://www.amazon.com/Auxiwa-Selfie-Rechargeable-Battery-Camera/dp/B01MCZ2WY8/ref=sr_1_3?keywords=clip+on+cellphone+light&qid=1565615528&s=gateway&sr=8-3.

* cited by examiner

Primary Examiner — Vy N Koenig

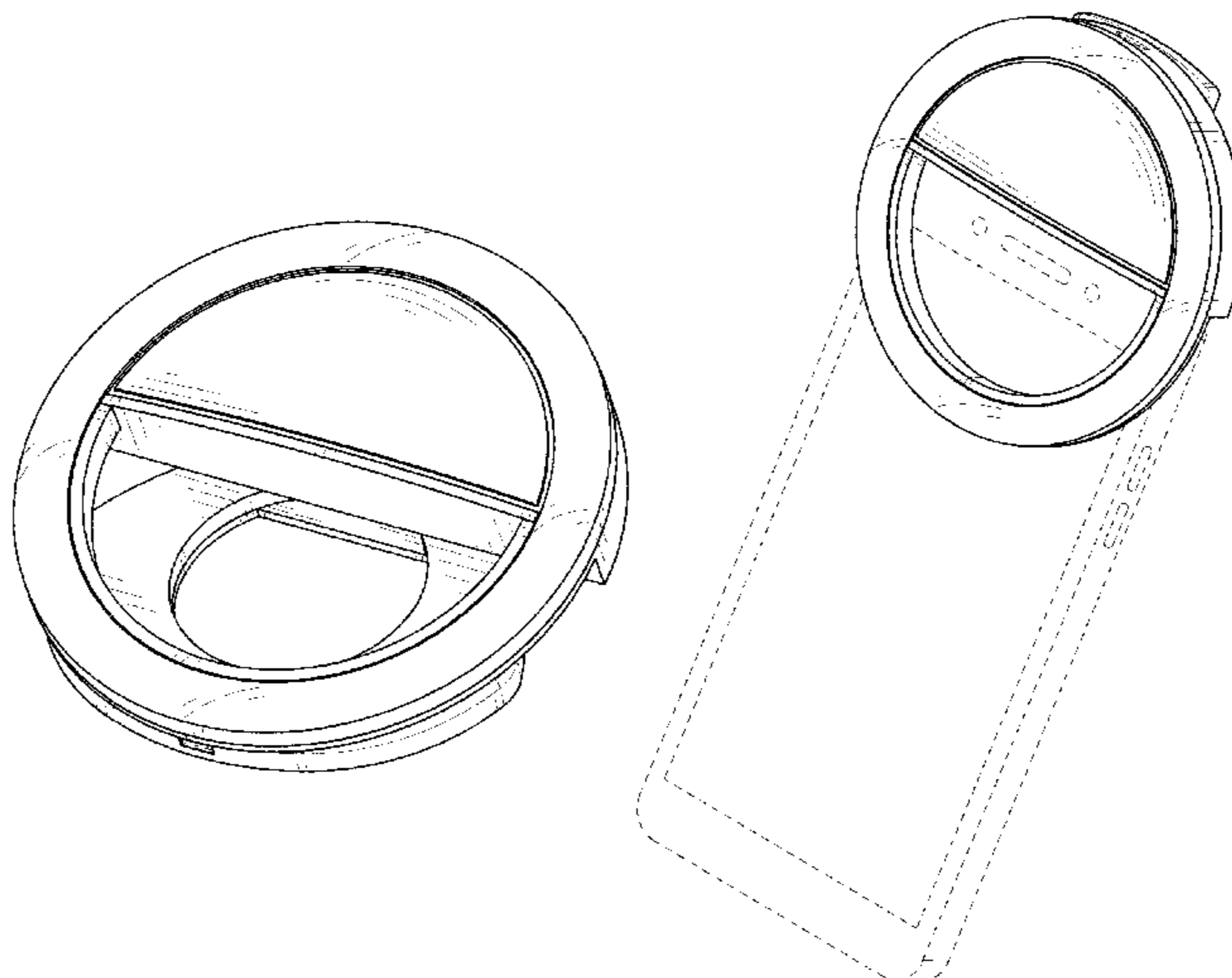
(57) **CLAIM**

The ornamental design for a camera light, as shown and described.

DESCRIPTION

FIG. 1 is a first perspective view of a camera light showing the claimed new design;
FIG. 2 is a second perspective view thereof;
FIG. 3 is a front elevational view thereof;
FIG. 4 is a rear elevational view thereof;
FIG. 5 is a left side elevational view thereof;
FIG. 6 is a right side elevational view thereof;
FIG. 7 is a top plan view thereof;
FIG. 8 is a bottom plan view thereof; and,
FIG. 9 is a perspective view thereof in an environment in which it may be used.
The broken lines immediately adjacent to the claimed portions are boundaries, all other broken lines are environmental structures; all the broken lines form no part of the claimed design.

1 Claim, 9 Drawing Sheets



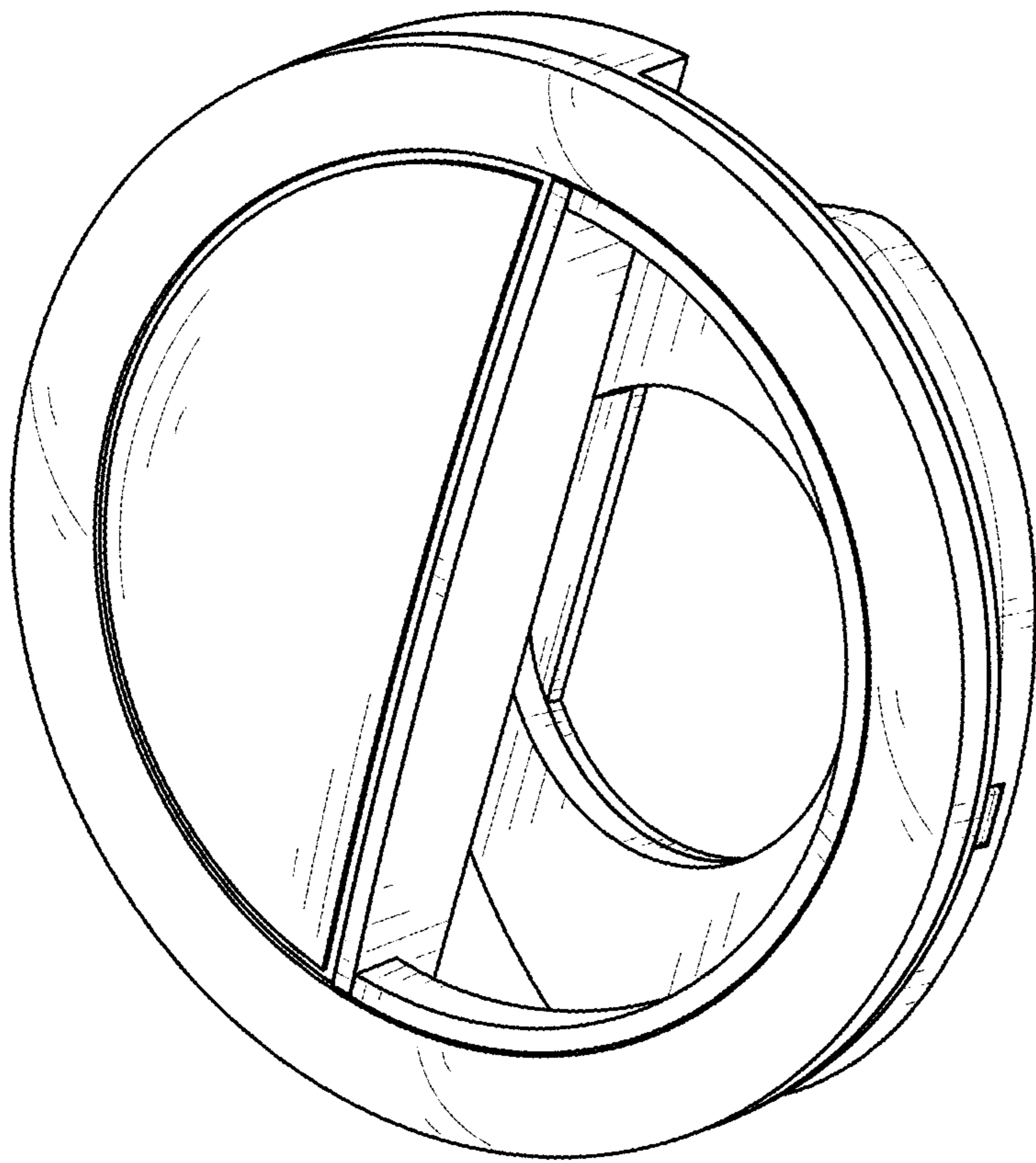


FIG. 1

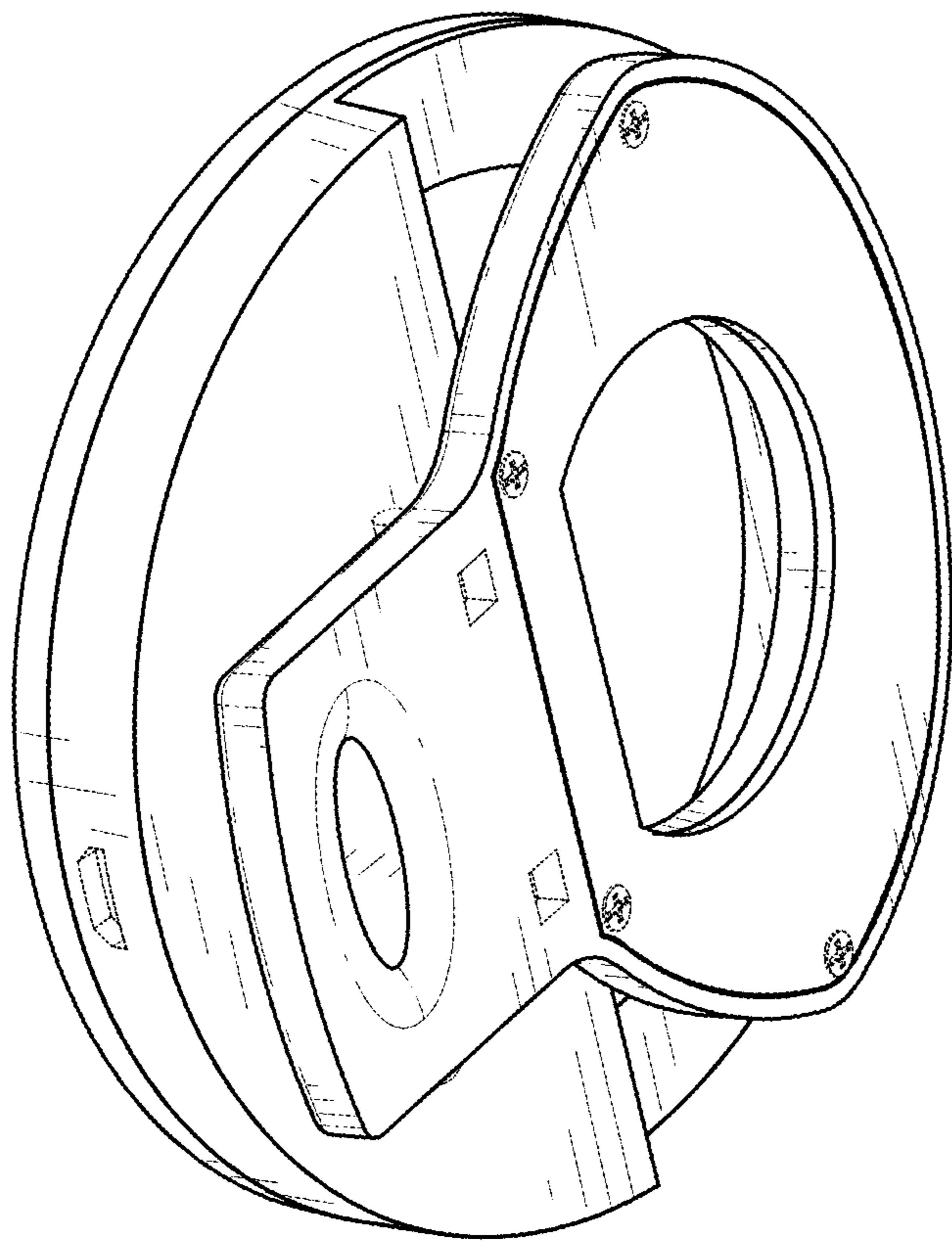


FIG. 2

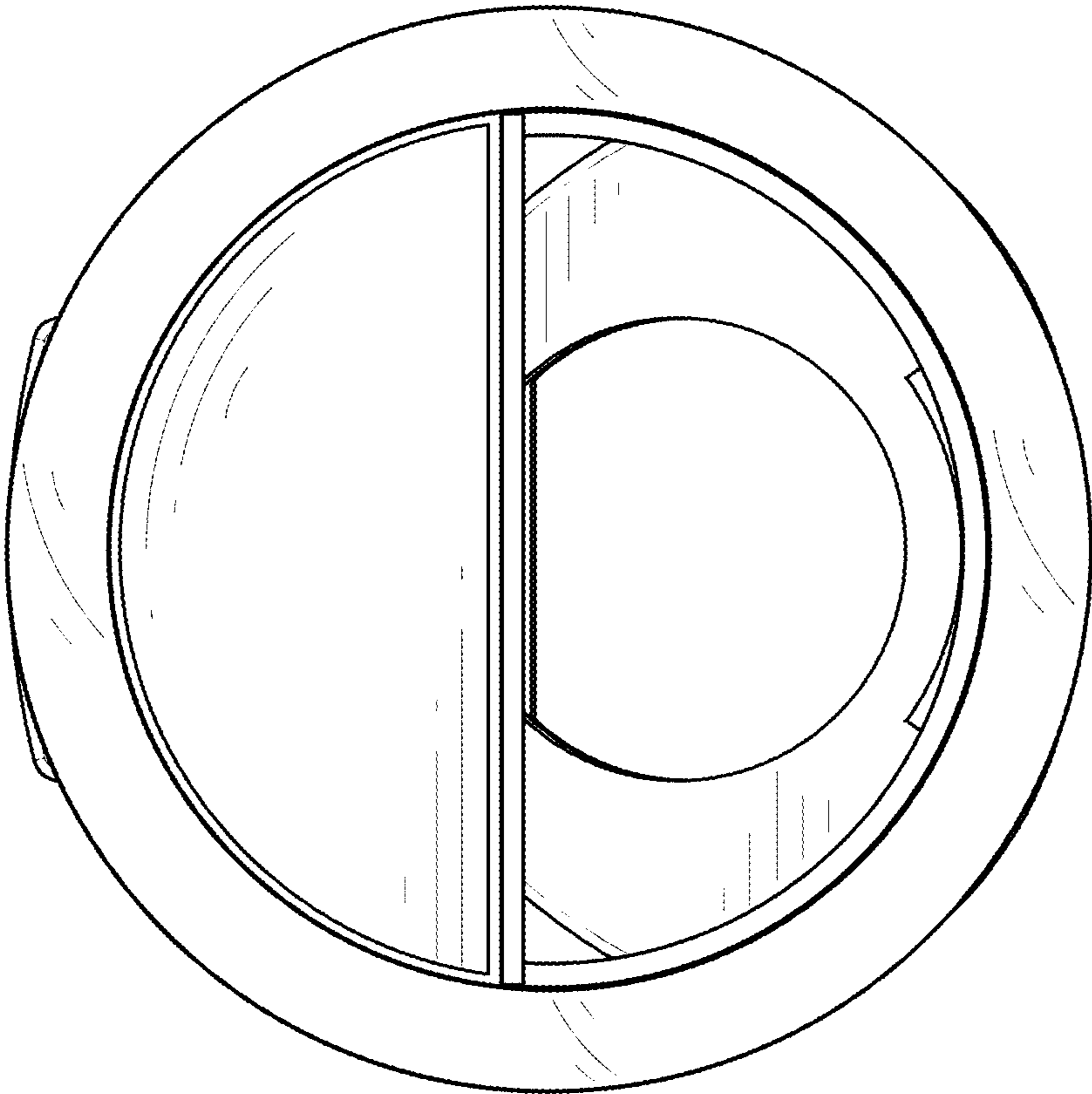


FIG. 3

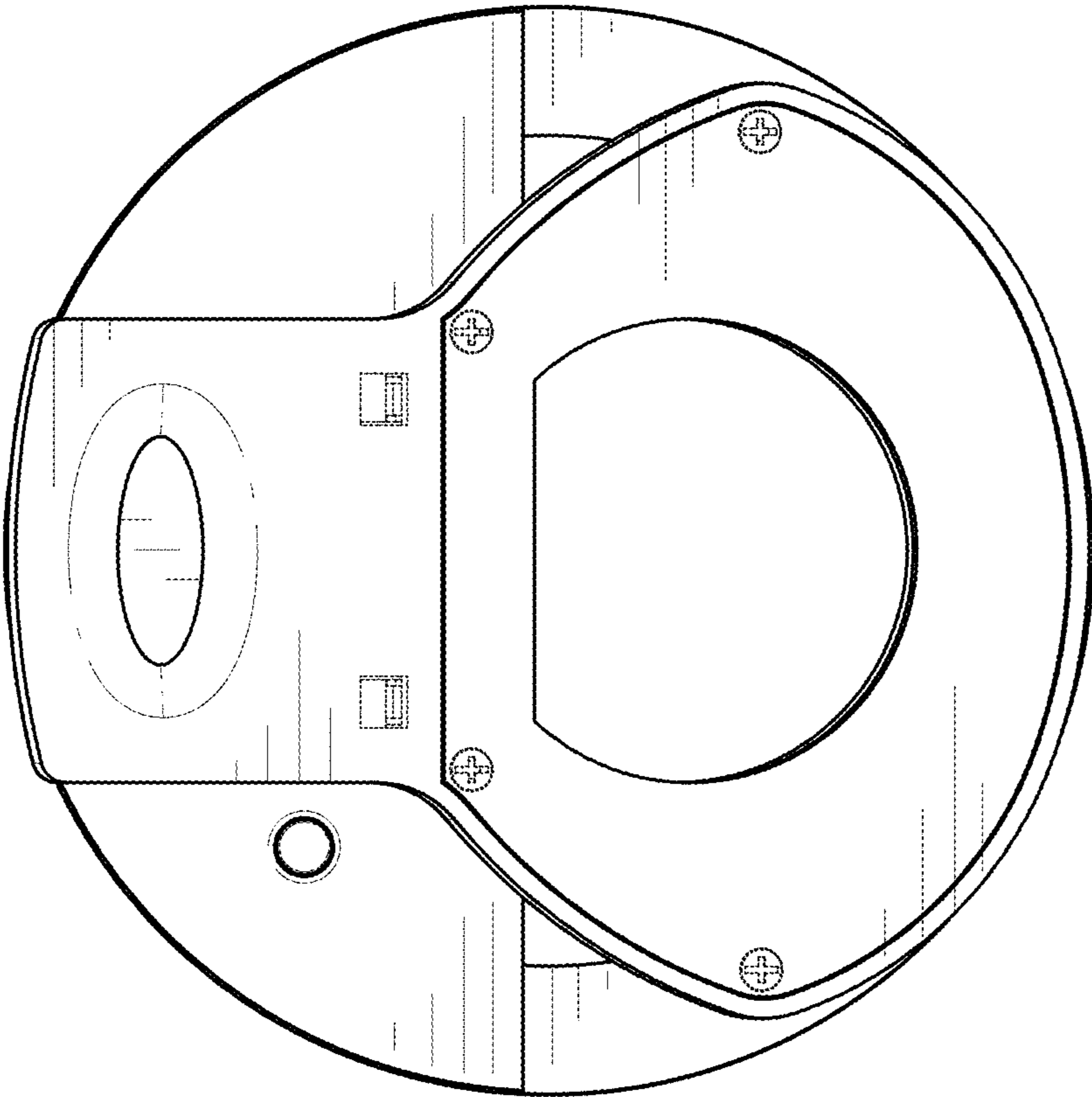


FIG. 4

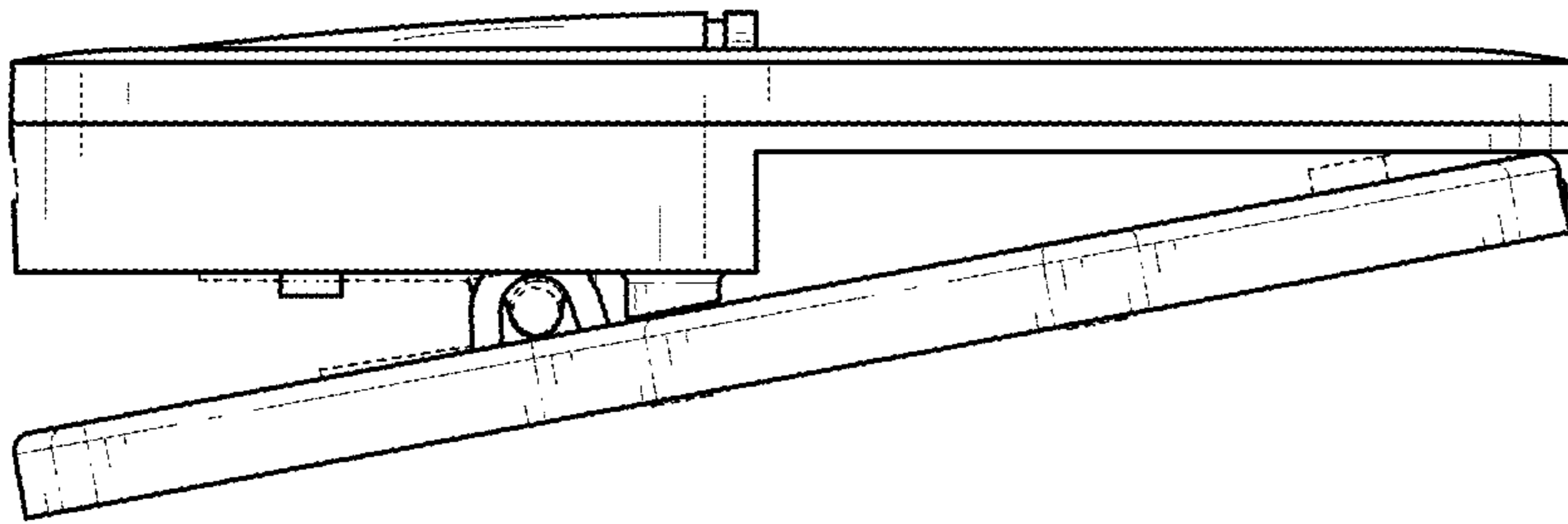


FIG. 5

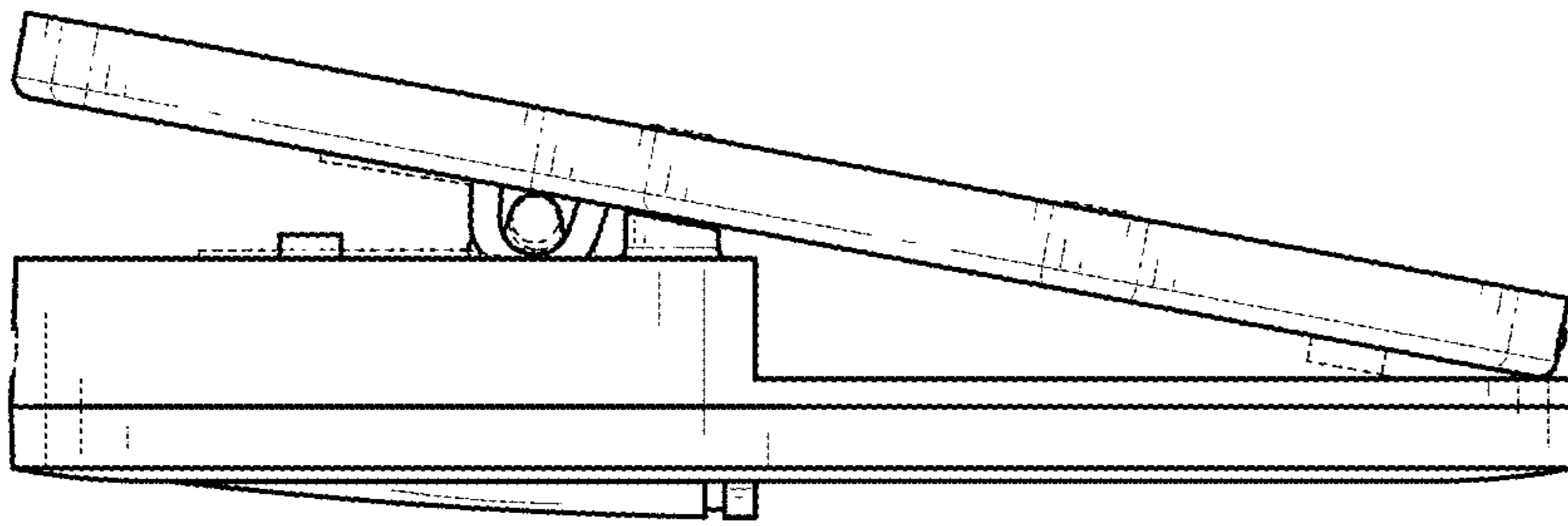


FIG. 6

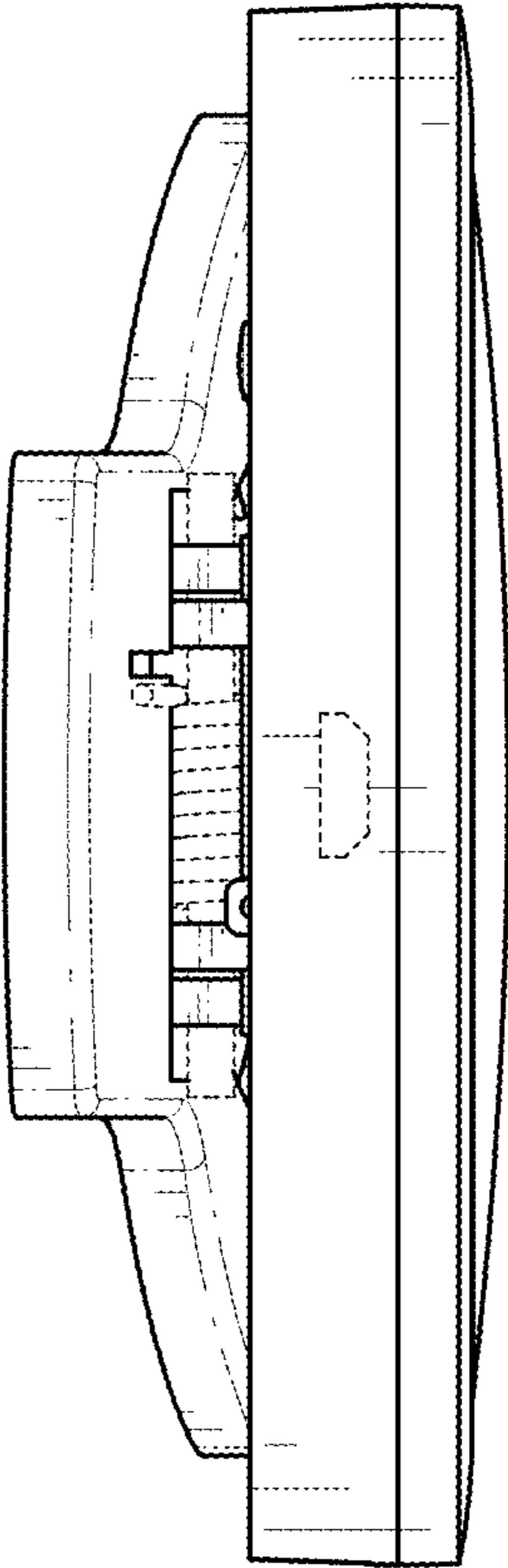


FIG. 7

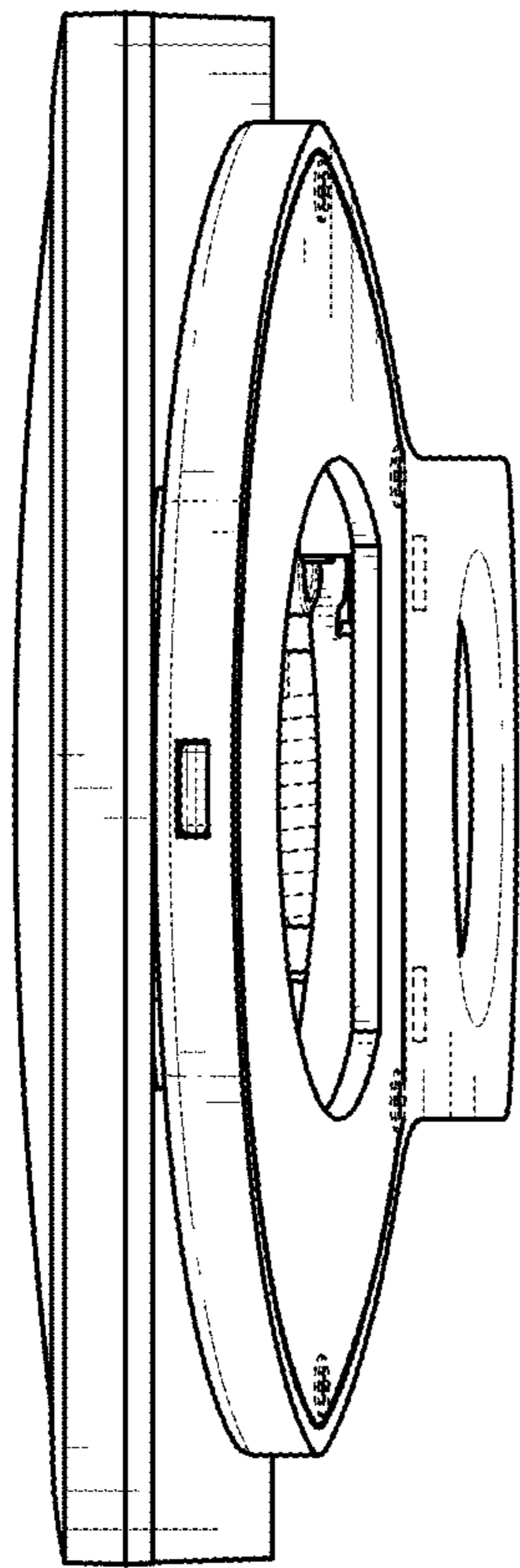


FIG. 8

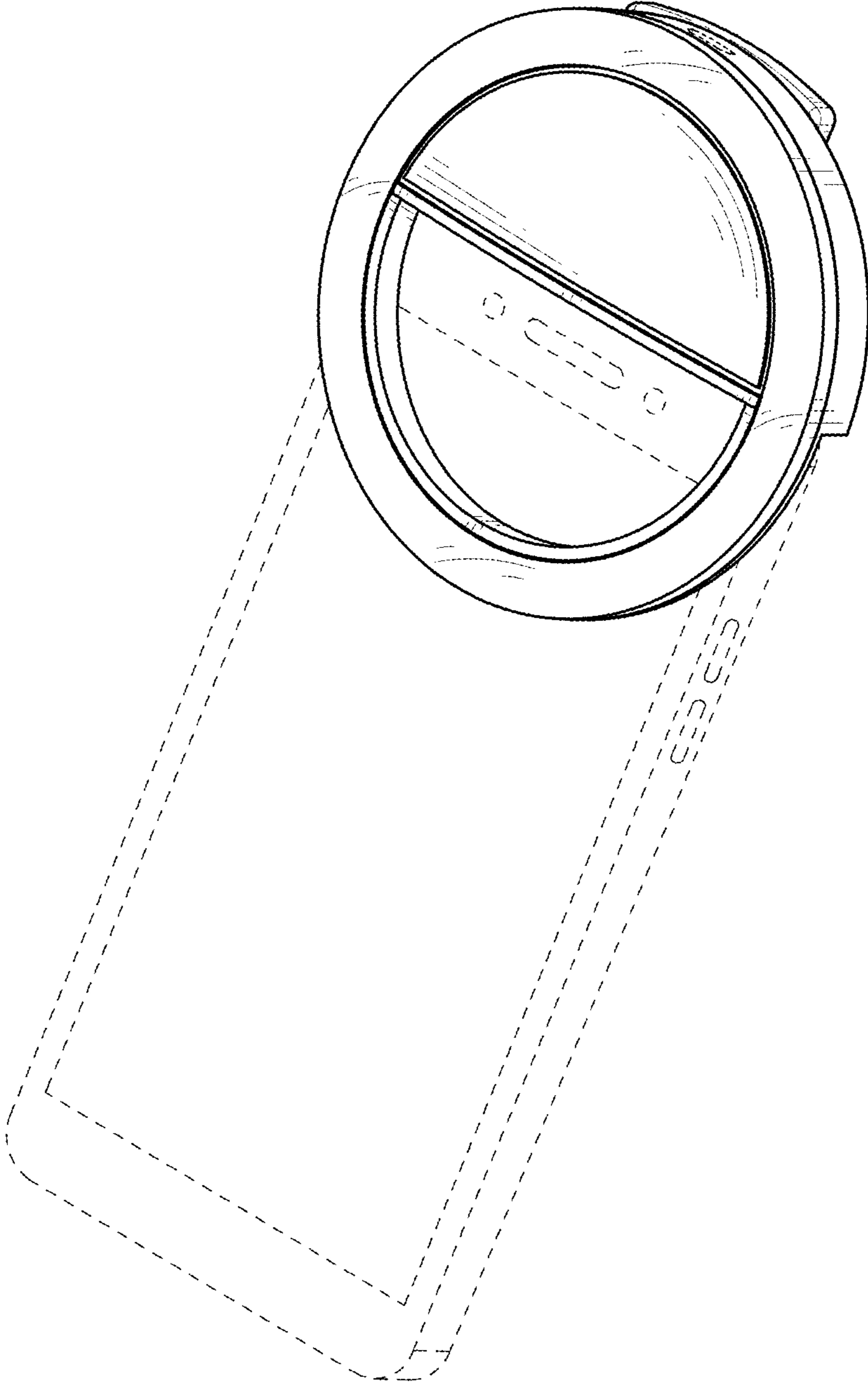


FIG. 9