



US00D868138S

(12) **United States Design Patent**
Hu et al.

(10) **Patent No.:** **US D868,138 S**
(45) **Date of Patent:** **** Nov. 26, 2019**

- (54) **CAMERA**
- (71) Applicant: **SZ DJI Osmo Technology Co., Ltd.**,
Shenzhen (CN)
- (72) Inventors: **Dengfeng Hu**, Shenzhen (CN); **Yifen Liu**, Shenzhen (CN)
- (73) Assignee: **SZ DJI Osmo Technology Co., Ltd.**,
Shenzhen (CN)
- (**) Term: **15 Years**
- (21) Appl. No.: **29/655,576**
- (22) Filed: **Jul. 5, 2018**

- D543,175 S 5/2007 Park et al.
- D649,175 S 11/2011 Willis
- D676,074 S 2/2013 Konishi et al.
- D694,802 S * 12/2013 Coyle D16/237
- D705,844 S * 5/2014 Bart D16/203
- D728,654 S * 5/2015 Lee D16/202
- D730,966 S * 6/2015 Liu D16/202
- D731,579 S * 6/2015 Bart D16/203
- D732,601 S * 6/2015 Coyle D16/237
- D738,951 S * 9/2015 Coyle D16/237
- D741,931 S * 10/2015 Huang D16/202
- D771,733 S 11/2016 Wang et al.
- D776,739 S * 1/2017 Urashima D16/203
- D783,079 S 4/2017 Lee et al.
- D784,997 S 4/2017 Cheng et al.
- D785,073 S 4/2017 Wang et al.
- D786,329 S 5/2017 Kamei
- D790,000 S 6/2017 Wang et al.

(Continued)

Related U.S. Application Data

- (63) Continuation of application No. 29/612,340, filed on Jul. 31, 2017, now Pat. No. Des. 852,865.
- (51) **LOC (12) Cl.** **16-05**
- (52) **U.S. Cl.**
USPC **D16/237**
- (58) **Field of Classification Search**
USPC D12/223, 415; D14/140, 142, 148, 149,
D14/217, 238.1, 252, 432, 434, 439, 440,
D14/451-453, 458, 460; D16/206, 208,
D16/209, 218, 219, 237
CPC G03B 17/02; G03B 17/03; G03B 17/14;
G03B 17/56; G03B 17/561; G03B 21/14;
H04N 5/2251; H04N 5/2252; H04N
5/2253; H04N 5/2254
See application file for complete search history.

(56) **References Cited**

U.S. PATENT DOCUMENTS

- D440,585 S 4/2001 Kahn et al.
- D441,384 S 5/2001 Bodnar et al.
- D520,044 S 5/2006 Chung et al.
- D542,684 S 5/2007 Nama

Primary Examiner — Garth Rademaker

Assistant Examiner — Fitzgerald L Butac

(74) *Attorney, Agent, or Firm* — Sterne, Kessler,
Goldstein & Fox P.L.L.C.

(57) **CLAIM**

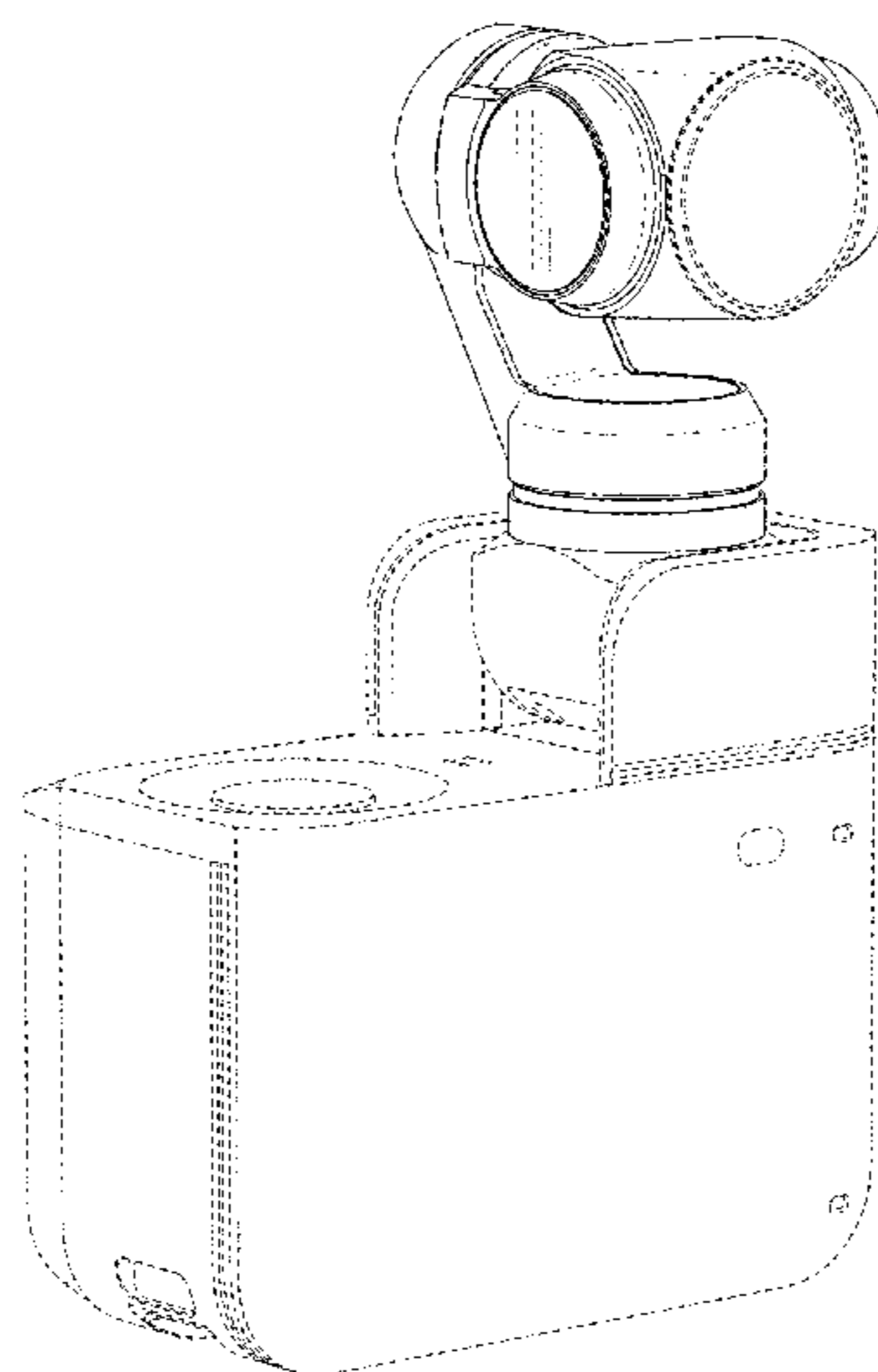
The ornamental design for a camera, as shown and described.

DESCRIPTION

FIG. 1 is a top front perspective view of a camera showing the claimed design;
 FIG. 2 is a bottom rear perspective view thereof;
 FIG. 3 is a front view thereof;
 FIG. 4 is a rear view thereof;
 FIG. 5 is a left side view thereof;
 FIG. 6 is a right side view thereof;
 FIG. 7 is a top view thereof; and,
 FIG. 8 is a bottom view thereof.

The broken lines in the figures show portions of the camera that form no part of the claimed design.

1 Claim, 8 Drawing Sheets



(56)

References Cited

U.S. PATENT DOCUMENTS

D791,216 S * 7/2017 Wang D16/242
D791,217 S * 7/2017 Wang D16/200
D794,606 S 8/2017 Zheng et al.
D794,696 S 8/2017 Nguyen et al.
D795,946 S 8/2017 Kim et al.
9,749,544 B2 8/2017 Wang
D796,482 S 9/2017 Zheng et al.
D803,925 S 11/2017 Hoshi et al.
D804,560 S 12/2017 Costa et al.
D805,117 S 12/2017 Nguyen et al.
D813,924 S * 3/2018 Zheng D16/203
D827,698 S * 9/2018 Zhang D16/242
2016/0171330 A1 * 6/2016 Mentese G06K 9/3233
348/170
2018/0346148 A1 * 12/2018 Zhang B64D 47/08
2018/0364548 A1 * 12/2018 Peng B64D 47/08
2018/0373127 A1 * 12/2018 Peng F16M 11/04

* cited by examiner

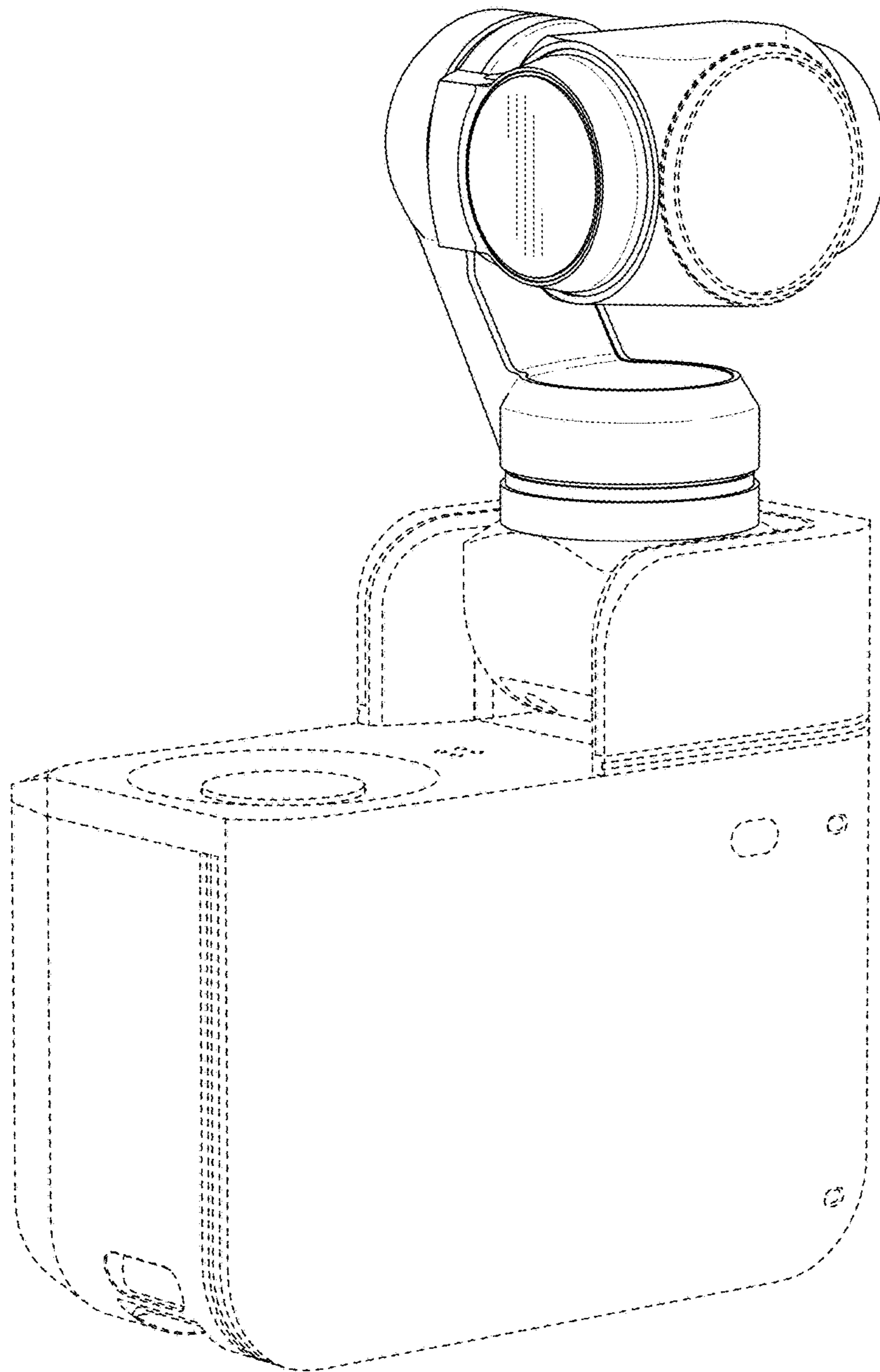


FIG. 1

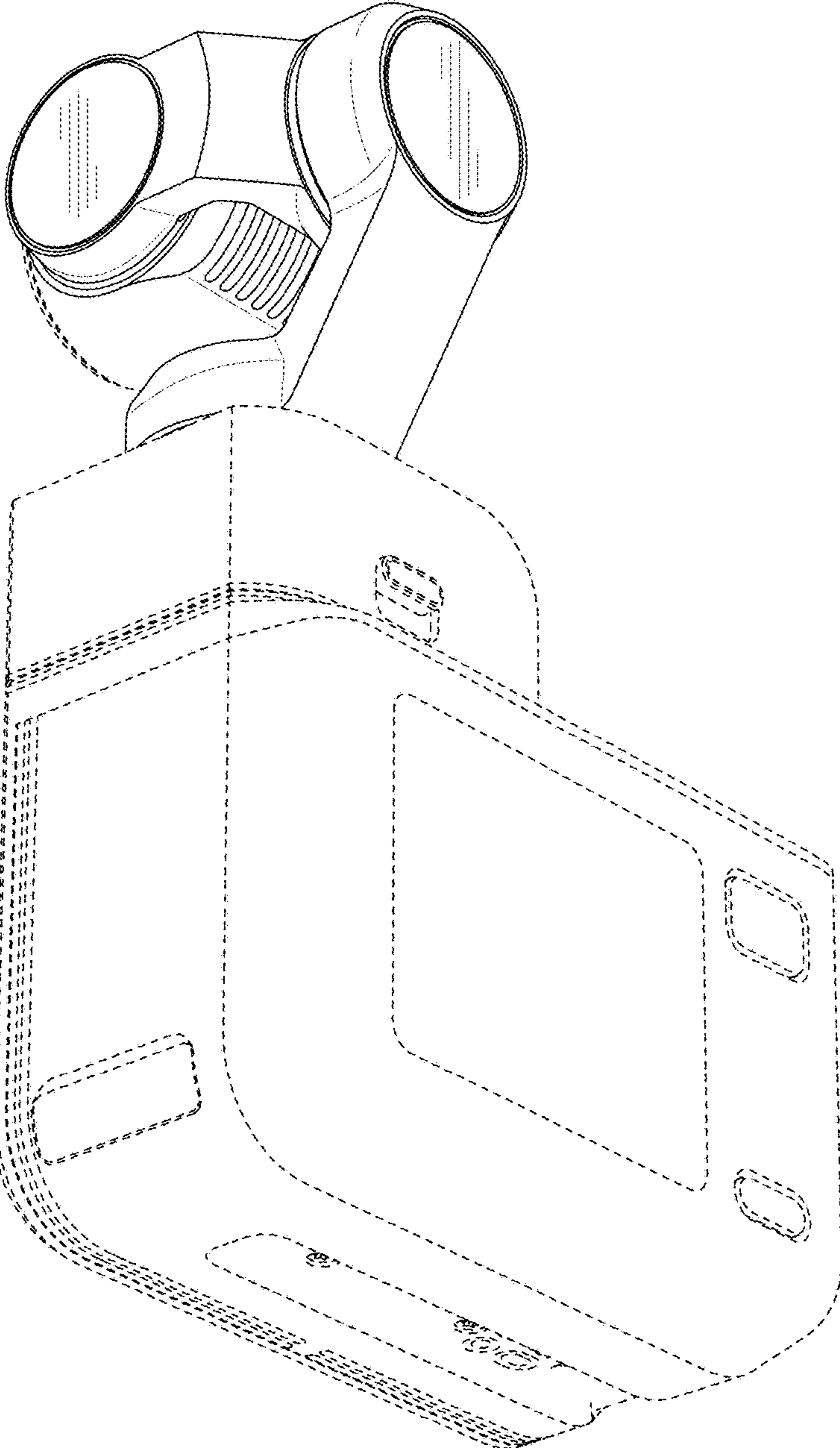


FIG. 2

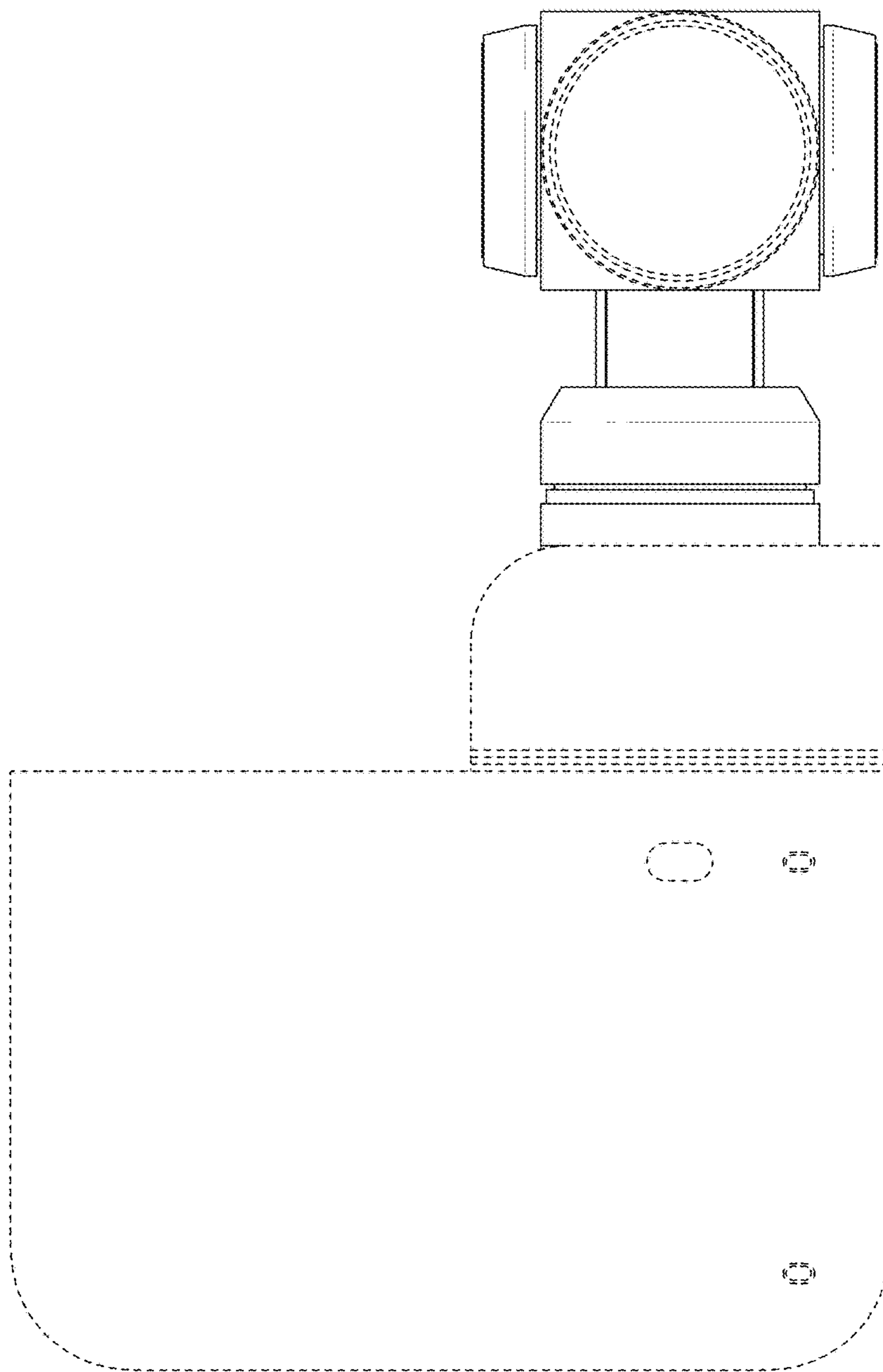


FIG. 3

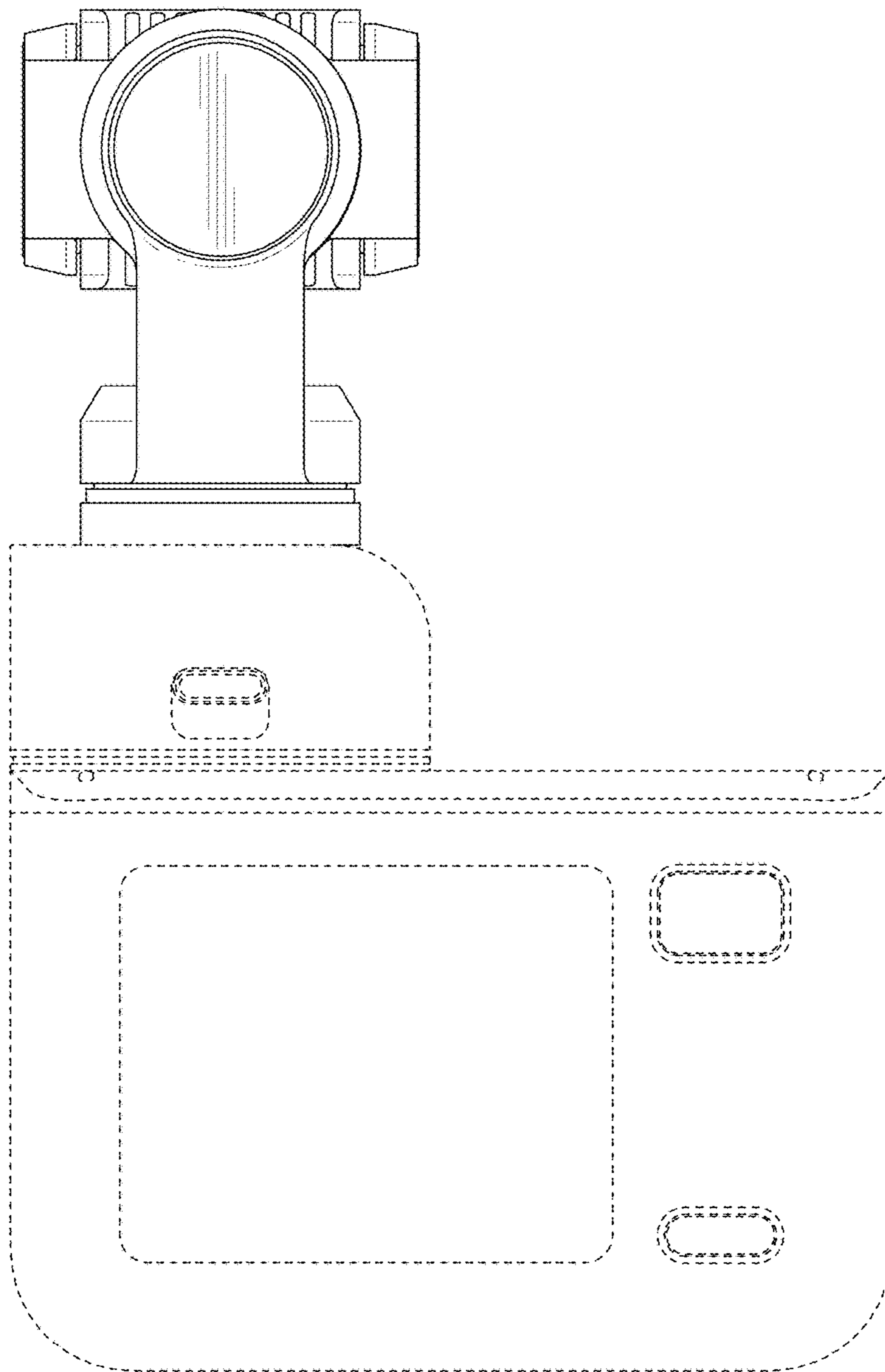


FIG. 4

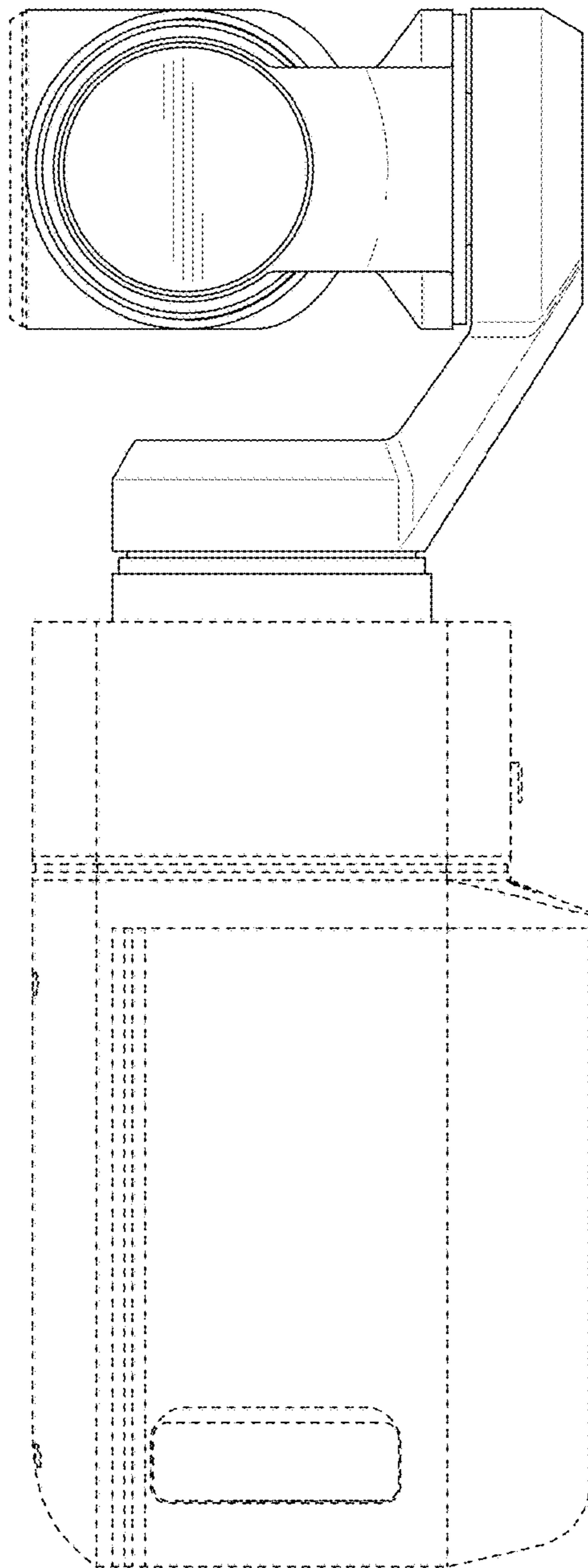


FIG. 5

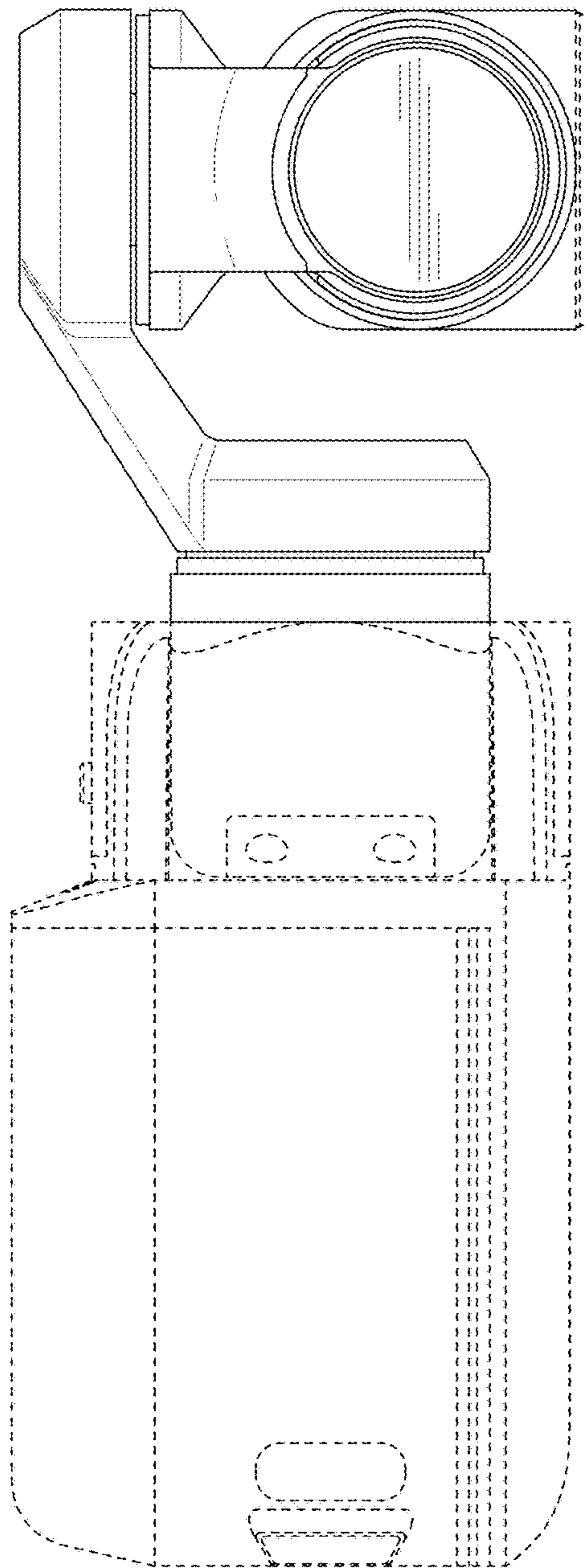


FIG. 6

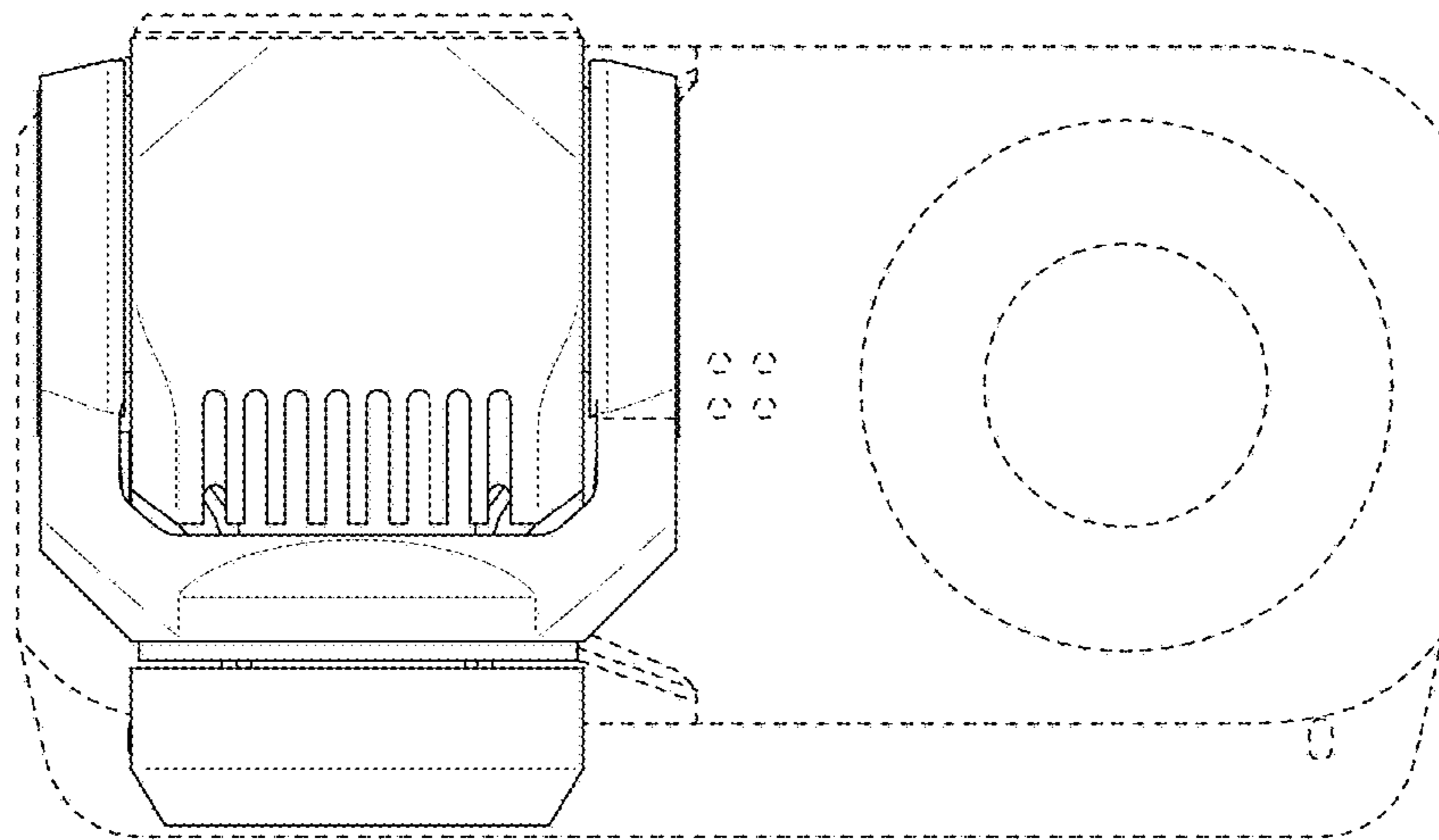


FIG. 7

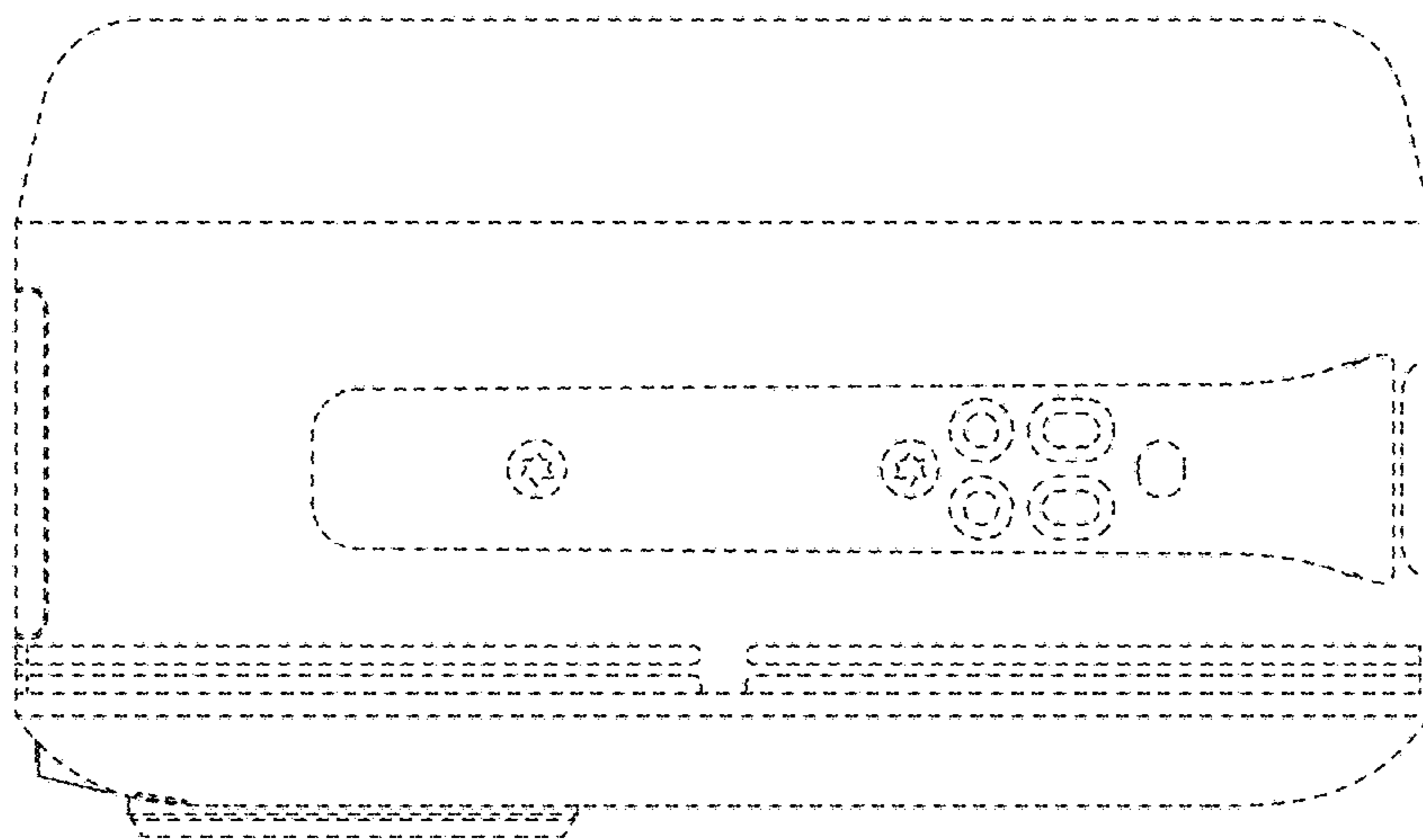


FIG. 8