



US00D868137S

(12) **United States Design Patent**  
**Boerup**

(10) **Patent No.:** **US D868,137 S**

(45) **Date of Patent:** **\*\* Nov. 26, 2019**

- (54) **CAMERA ACCESSORY HOUSING DEVICE**
- (71) Applicant: **MGMD BrainPower LLC**, Tucson, AZ (US)
- (72) Inventor: **Spencer Boerup**, Tucson, AZ (US)
- (73) Assignee: **MGMD BRAINPOWER LLC**, Tucson, AZ (US)
- (\*\*) Term: **15 Years**
- (21) Appl. No.: **29/654,347**
- (22) Filed: **Jun. 22, 2018**
- (51) **LOC (12) Cl.** ..... **16-05**
- (52) **U.S. Cl.**  
USPC ..... **D16/237**
- (58) **Field of Classification Search**  
USPC ..... D16/219, 237-250; D8/354, 355, 363, D8/373, 382-383, 394-396; D14/224, D14/229, 238, 251, 447, 451, 457  
CPC ..... F16M 11/06-10; F16M 11/14; G02B 7/00-002; G03B 17/56; G03B 17/261-568; H04N 5/2253-2254  
See application file for complete search history.

- D702,279 S \* 4/2014 Zhan ..... D16/239
- D770,555 S \* 11/2016 Lee ..... D16/237
- D825,643 S \* 8/2018 Wengreen ..... D16/242
- D826,906 S \* 8/2018 Lasnier de Lavalette ... D14/224
- D832,276 S \* 10/2018 Miles ..... D14/451
- D832,859 S \* 11/2018 Charlesworth ..... D14/451
- 10,223,885 B2 \* 3/2019 Larsson ..... G08B 13/19619

\* cited by examiner

*Primary Examiner* — Vy N Koenig

(57) **CLAIM**

The ornamental design for a camera accessory housing device, as shown.

**DESCRIPTION**

FIG. 1 is a perspective view of a camera accessory housing device.

FIG. 2 is a front view of the camera accessory housing device of FIG. 1.

FIG. 3 is a back view of the camera accessory housing device of FIG. 1.

FIG. 4 is a right side view of the camera accessory housing device of FIG. 1.

FIG. 5 is a left side view of the camera accessory housing device of FIG. 1.

FIG. 6 is a top view of the camera accessory housing device of FIG. 1; and,

FIG. 7 is a bottom view of the camera accessory housing device of FIG. 1.

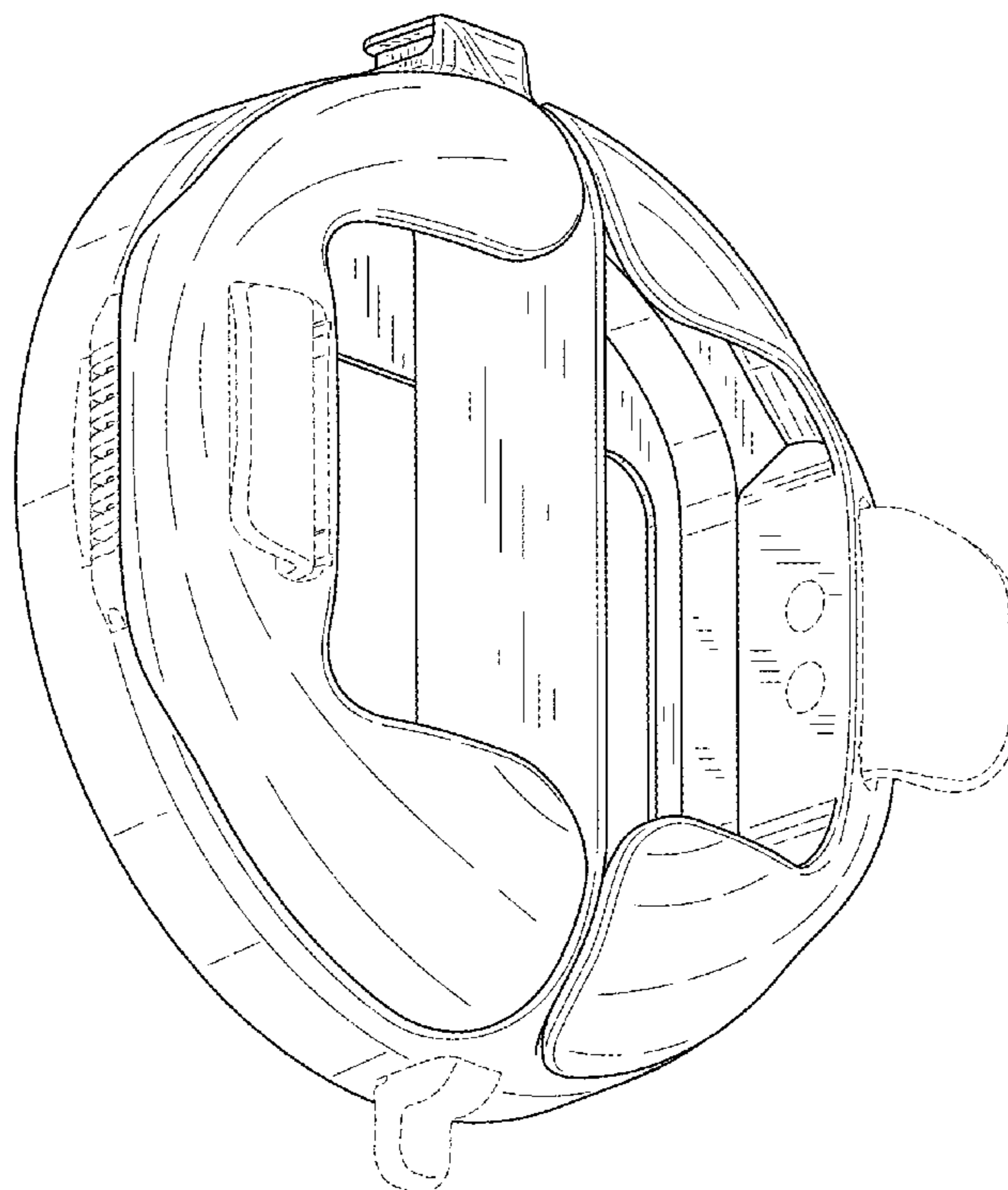
The dashed lines depict portions of the camera accessory housing device or environment that form no part of the claimed design.

(56) **References Cited**

**U.S. PATENT DOCUMENTS**

- D585,882 S \* 2/2009 Lum ..... D14/224
- D645,071 S \* 9/2011 Hinkel ..... D16/203
- D682,662 S \* 5/2013 Bailey ..... D8/354
- D688,252 S \* 8/2013 Paul ..... D14/205

**1 Claim, 6 Drawing Sheets**



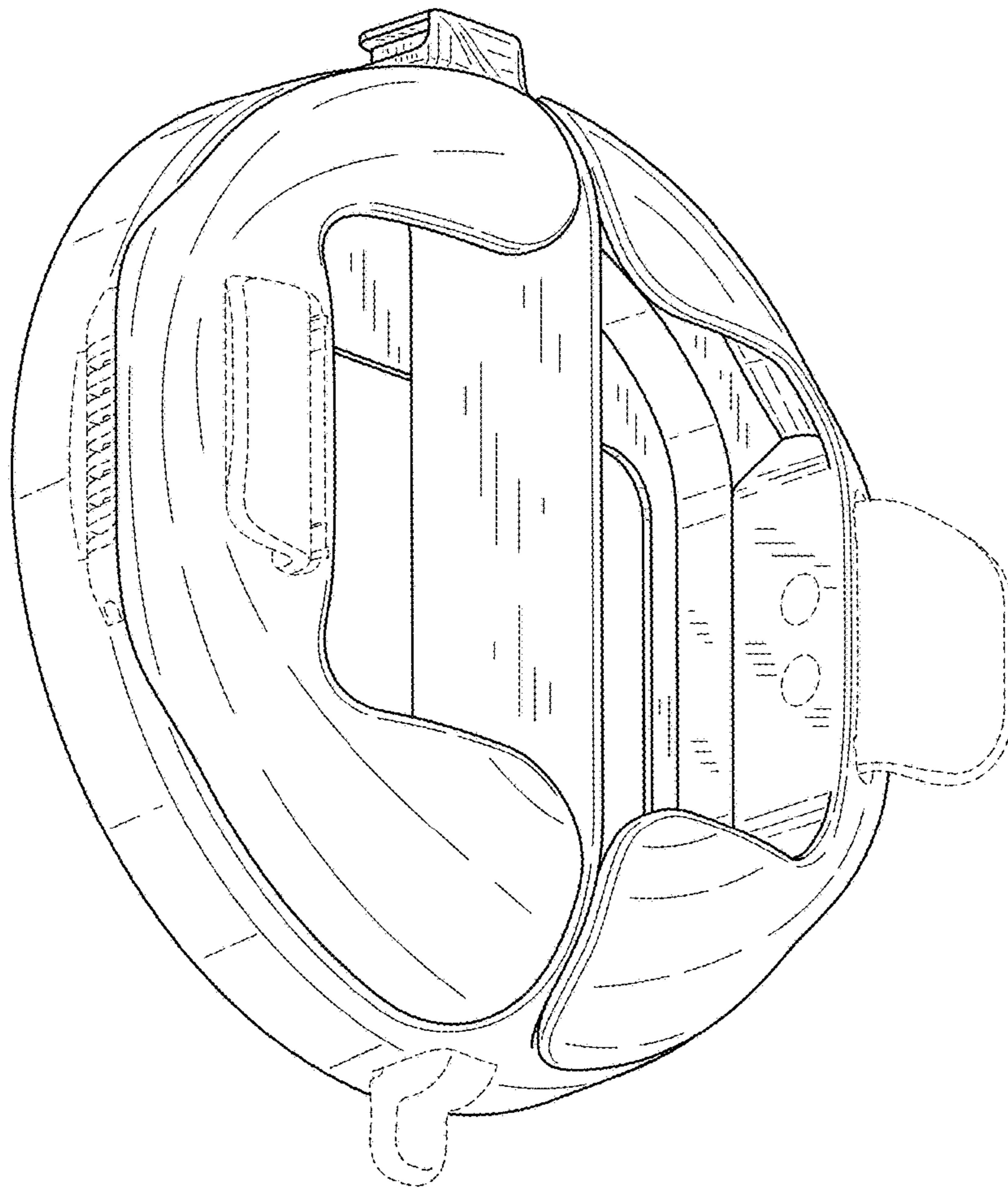


FIG.1

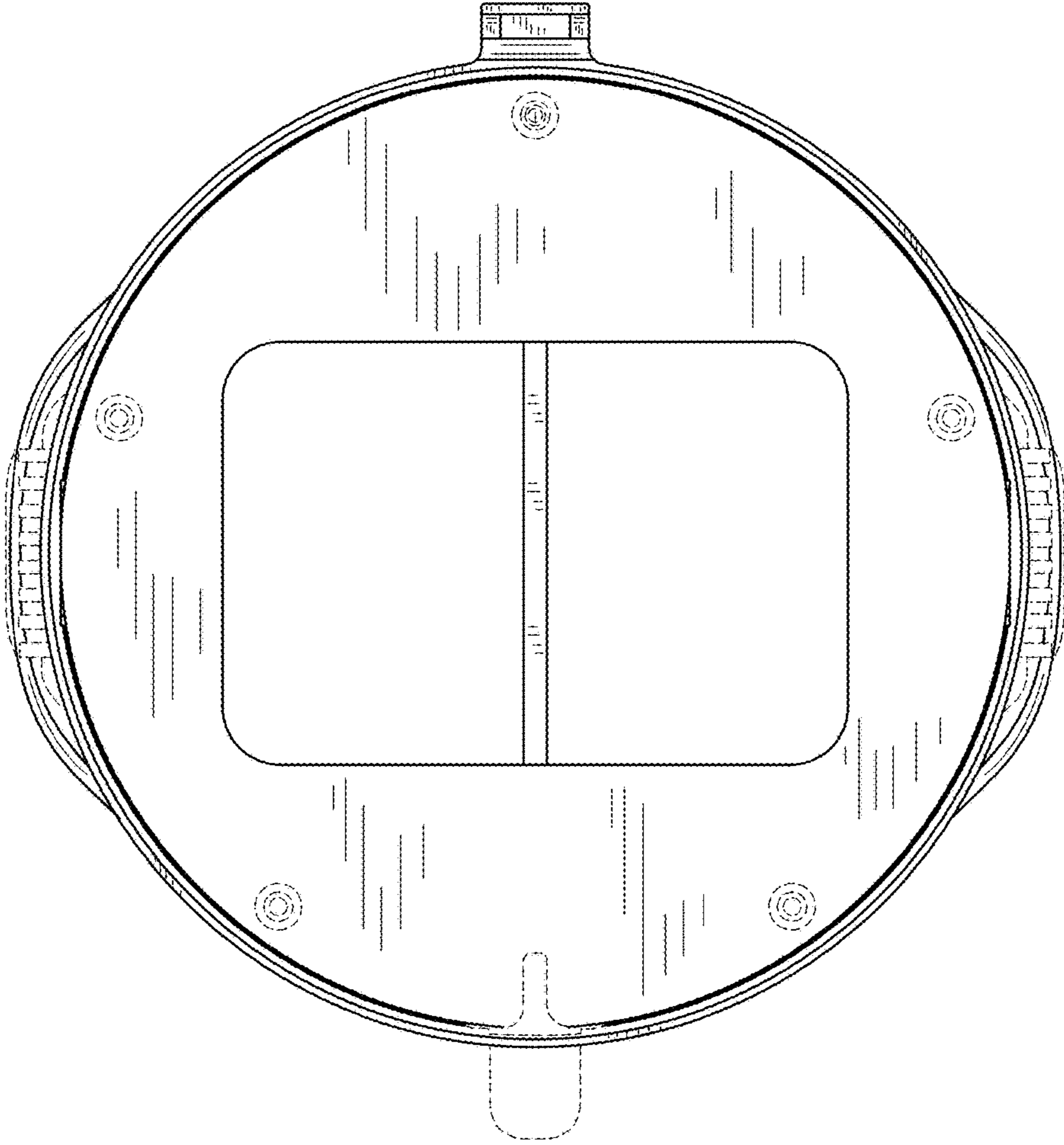


FIG.2

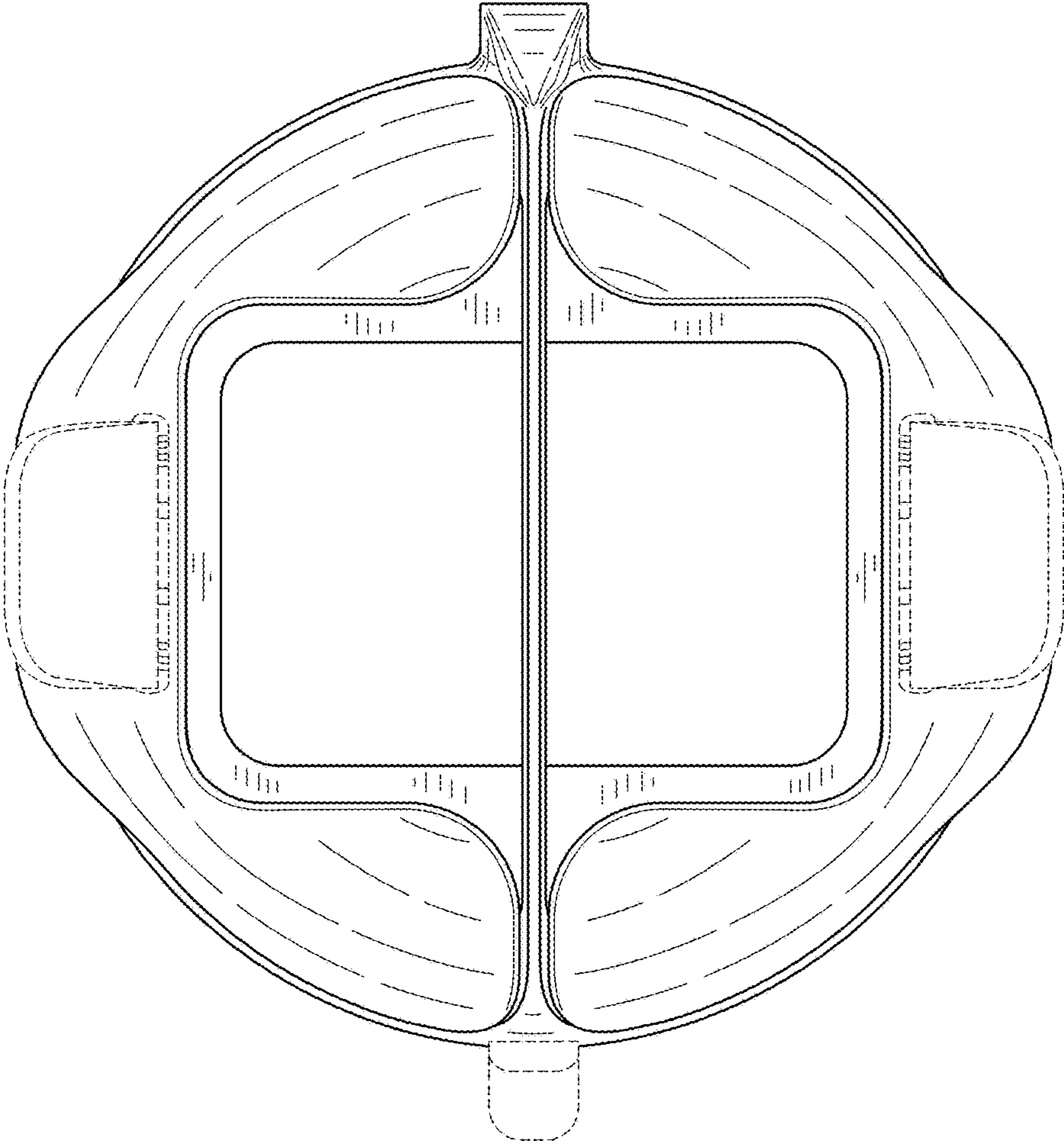


FIG.3

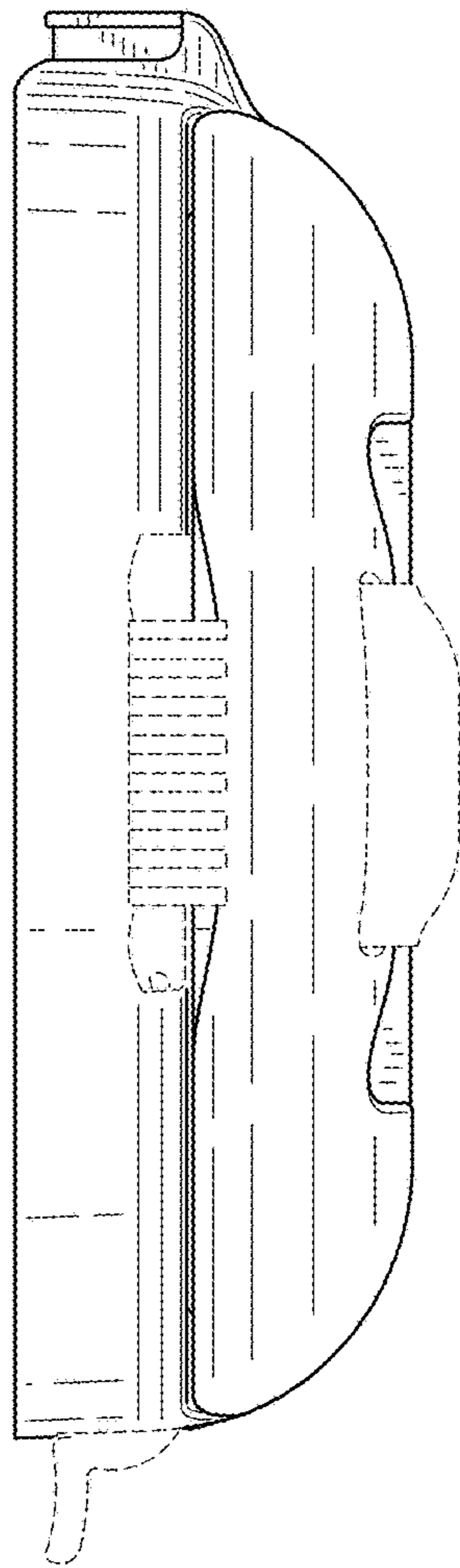


FIG.4



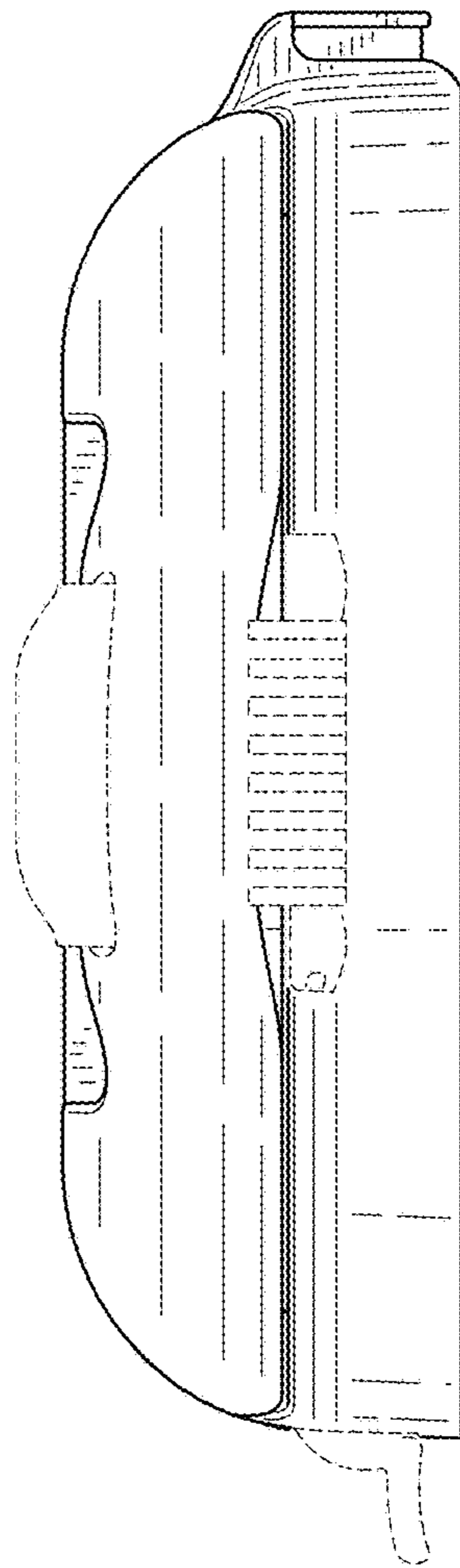


FIG.5

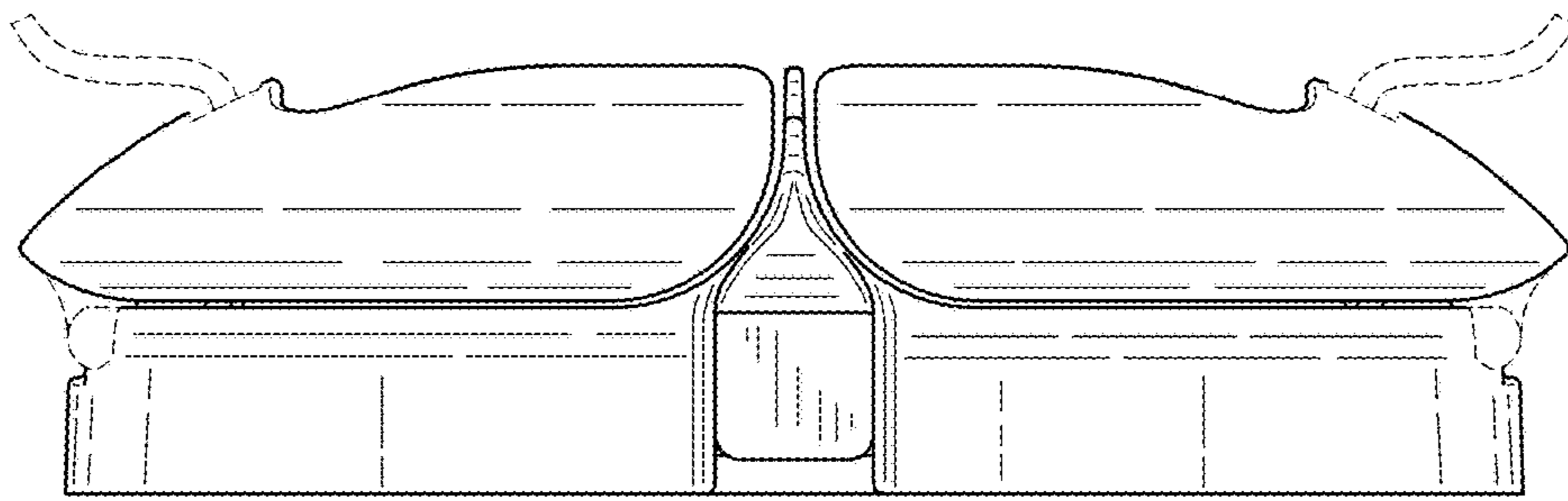


FIG. 6

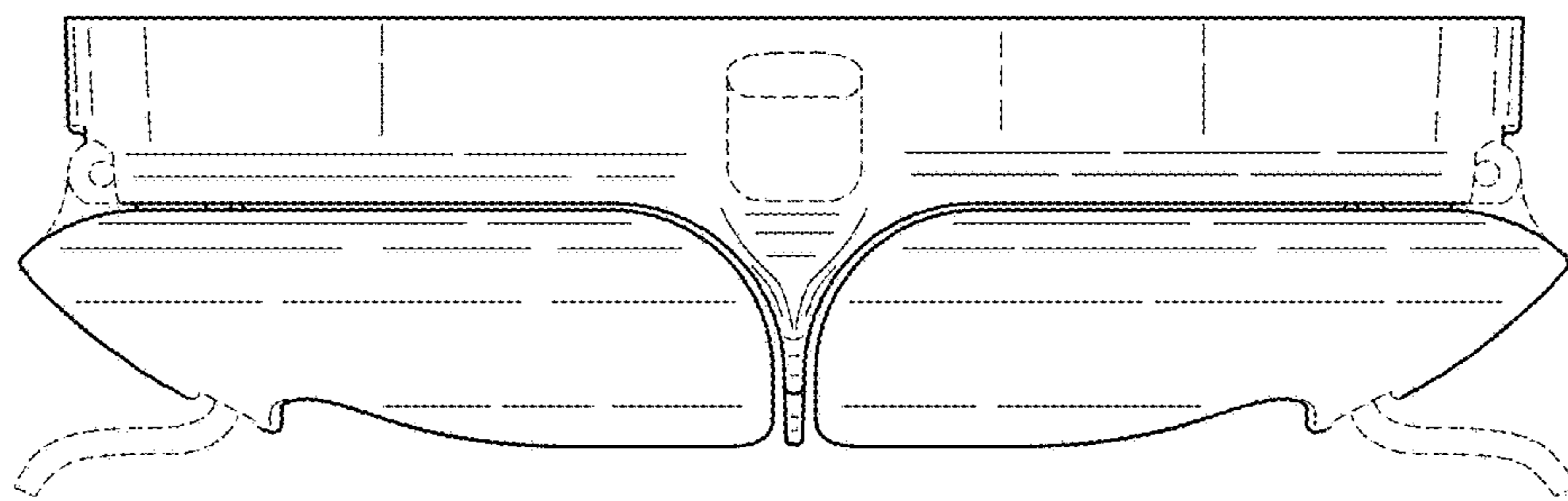


FIG. 7