



US00D868134S

(12) **United States Design Patent**
Kamei

(10) **Patent No.:** **US D868,134 S**

(45) **Date of Patent:** **** Nov. 26, 2019**

(54) **LENS FOR CAMERA**

(71) Applicant: **FUJIFILM Corporation**, Tokyo (JP)

(72) Inventor: **Keita Kamei**, Saitama (JP)

(73) Assignee: **FUJIFILM Corporation**, Tokyo (JP)

(**) Term: **15 Years**

(21) Appl. No.: **29/662,363**

(22) Filed: **Sep. 5, 2018**

(30) **Foreign Application Priority Data**

Mar. 6, 2018 (JP) 2018-004636

(51) **LOC (12) Cl.** **16-05**

(52) **U.S. Cl.**
USPC **D16/219**

(58) **Field of Classification Search**
USPC D16/134, 136, 200, 202–205, 218, 219,
D16/235, 242; 348/373–376;
359/826–828; 396/529–532, 535,
396/539–541

CPC G03B 17/02; G03B 19/04; G03B 17/56;
G03B 17/04; G03B 15/03; G03B 17/14;
H04N 5/2251; H04N 5/2252; H04N
5/2253; H04N 5/2254; G02B 7/02; G02B
7/04; G02B 7/14

See application file for complete search history.

(56) **References Cited**

U.S. PATENT DOCUMENTS

D412,922 S * 8/1999 Sekine D16/134
6,791,770 B2 * 9/2004 Yamazaki G02B 7/02
359/819
D573,167 S * 7/2008 Kitera D16/134
8,363,343 B2 * 1/2013 Takahashi G02B 7/023
359/819

D717,356 S * 11/2014 Nikaido D16/134
D744,025 S * 11/2015 Oh D16/134
D750,689 S * 3/2016 Oh D16/134
D754,236 S * 4/2016 Oh D16/134
D771,730 S * 11/2016 Yoshiyama D16/219
D771,731 S * 11/2016 Yoshiyama D16/219
D809,051 S * 1/2018 Sakai D16/219

OTHER PUBLICATIONS

“HC2600955200”, Sep. 19, 2014, received at National Center for Industrial Property Information and Training on Jul. 4, 2014, Domestic Catalogue “PhaseOne Product Guide 2014” published by Take Inc., Published on p. 14, Product Name: PC-TS Apo Digital 120mm f/5.6 HM Aspherical, Design of Camera Lens (Japan Patent Office, Design Division Official Gazette No. HC26009552), total 2 pages.

(Continued)

Primary Examiner — Ramzi S Almatrahi

(74) *Attorney, Agent, or Firm* — Birch, Stewart, Kolasch & Birch, LLP

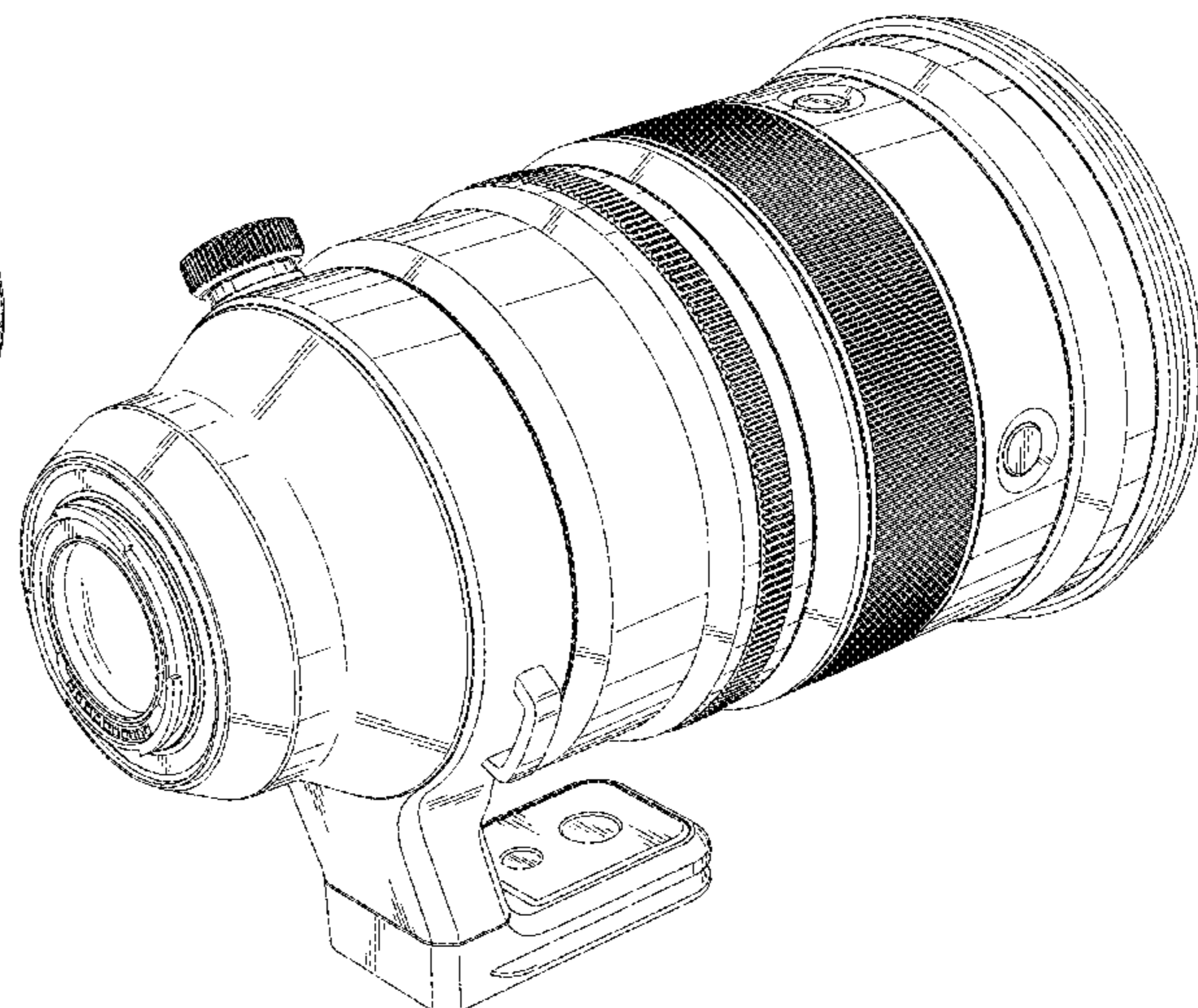
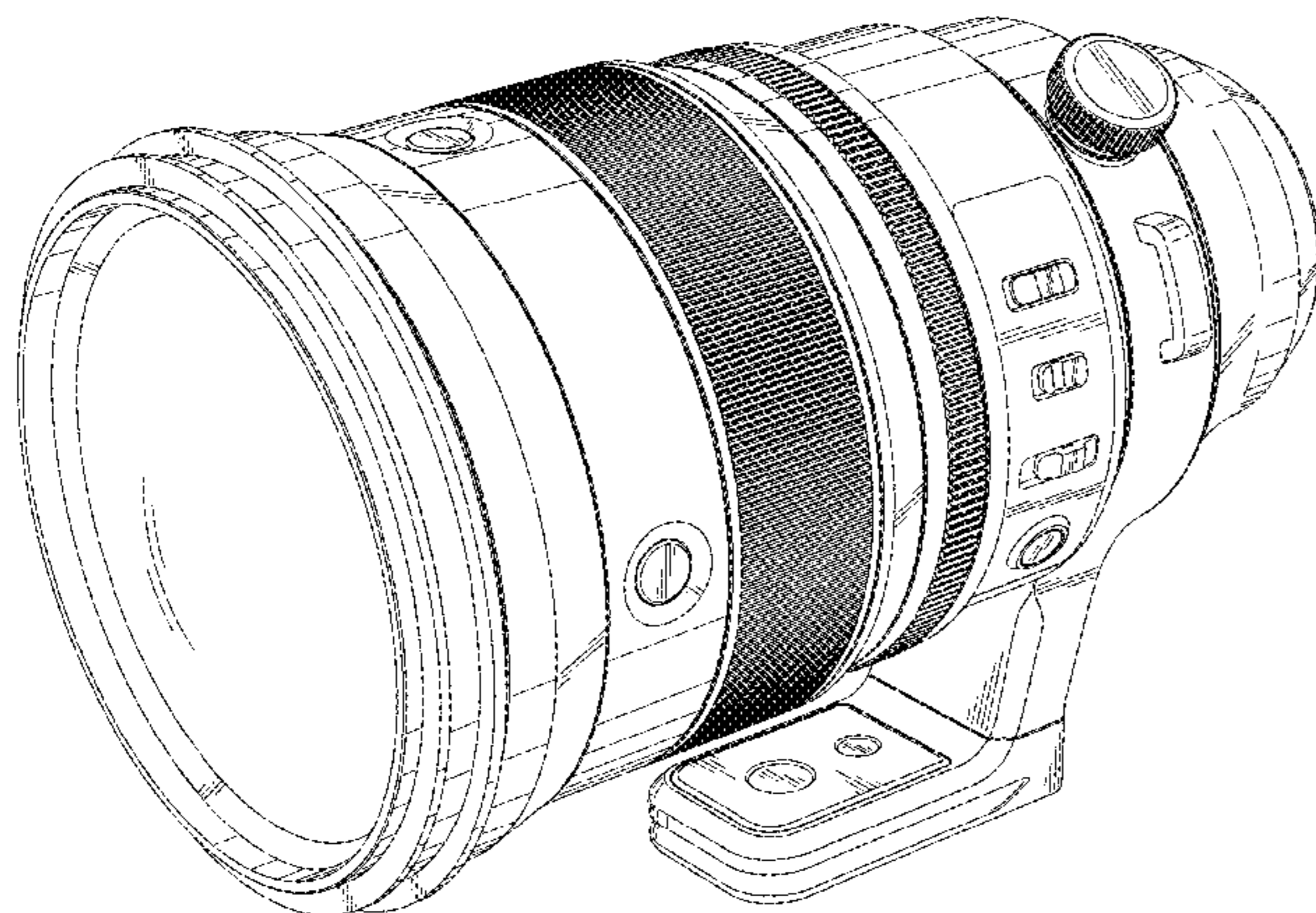
(57) **CLAIM**

The ornamental design for a lens for camera, as shown and described.

DESCRIPTION

FIG. 1 is a front and left side perspective view of a lens for camera showing my new design;
FIG. 2 is a rear and right side perspective view thereof;
FIG. 3 is a front view thereof;
FIG. 4 is a rear view thereof;
FIG. 5 is a top plan view thereof;
FIG. 6 is a bottom plan view thereof;
FIG. 7 is a right side view thereof; and,
FIG. 8 is a left side view thereof.

1 Claim, 8 Drawing Sheets



(56)

References Cited

OTHER PUBLICATIONS

“HJ2603934600”, Jul. 5, 2016, published on a webpage on the Internet (Publication Confirmed on Oct. 17, 2014), Published by: Olympus Corporation, Title: Interchangeable Lens M.Zuiko Digital ED 40-150mm F2.8 Pro | Olympus, Address of the publication webpage: http://olympus-imaging.jp/product/dslr/mlens/40-150_28pro/index.html, Product Name: M.Zuiko Digital ED 40-150mm F2.8PRO Design of Camera Lens (Japan Patent Office, Design Division Official Gazette No. HJ26039346), total 3 pages.

Certificate to be applied the regulation of Exceptions to Lack of Novelty of Design dated Sep. 7, 2017.

Notification for Japanese Design Application No. 2018-004636 dated Jul. 23, 2018.

* cited by examiner

FIG. 1

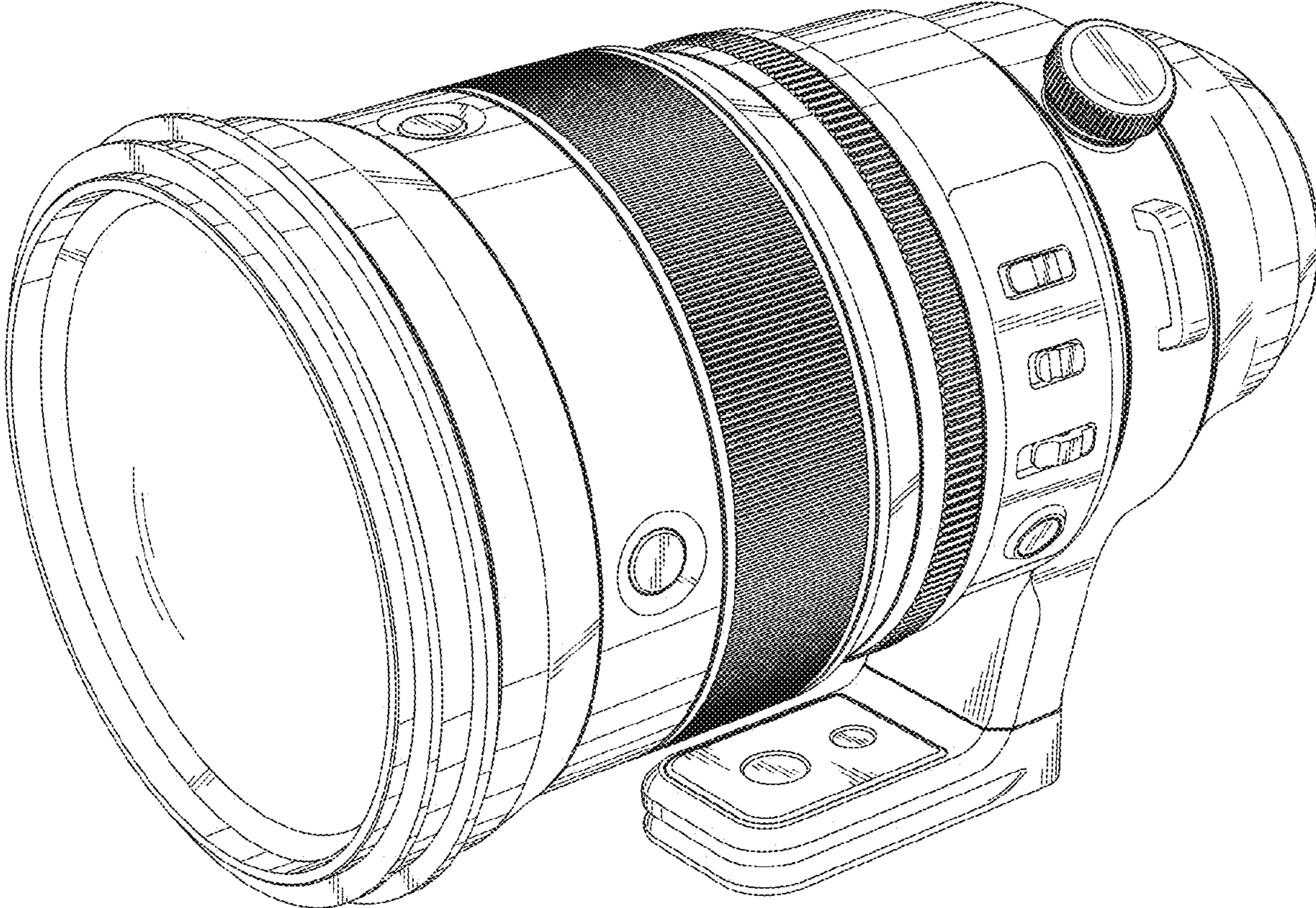


FIG. 2

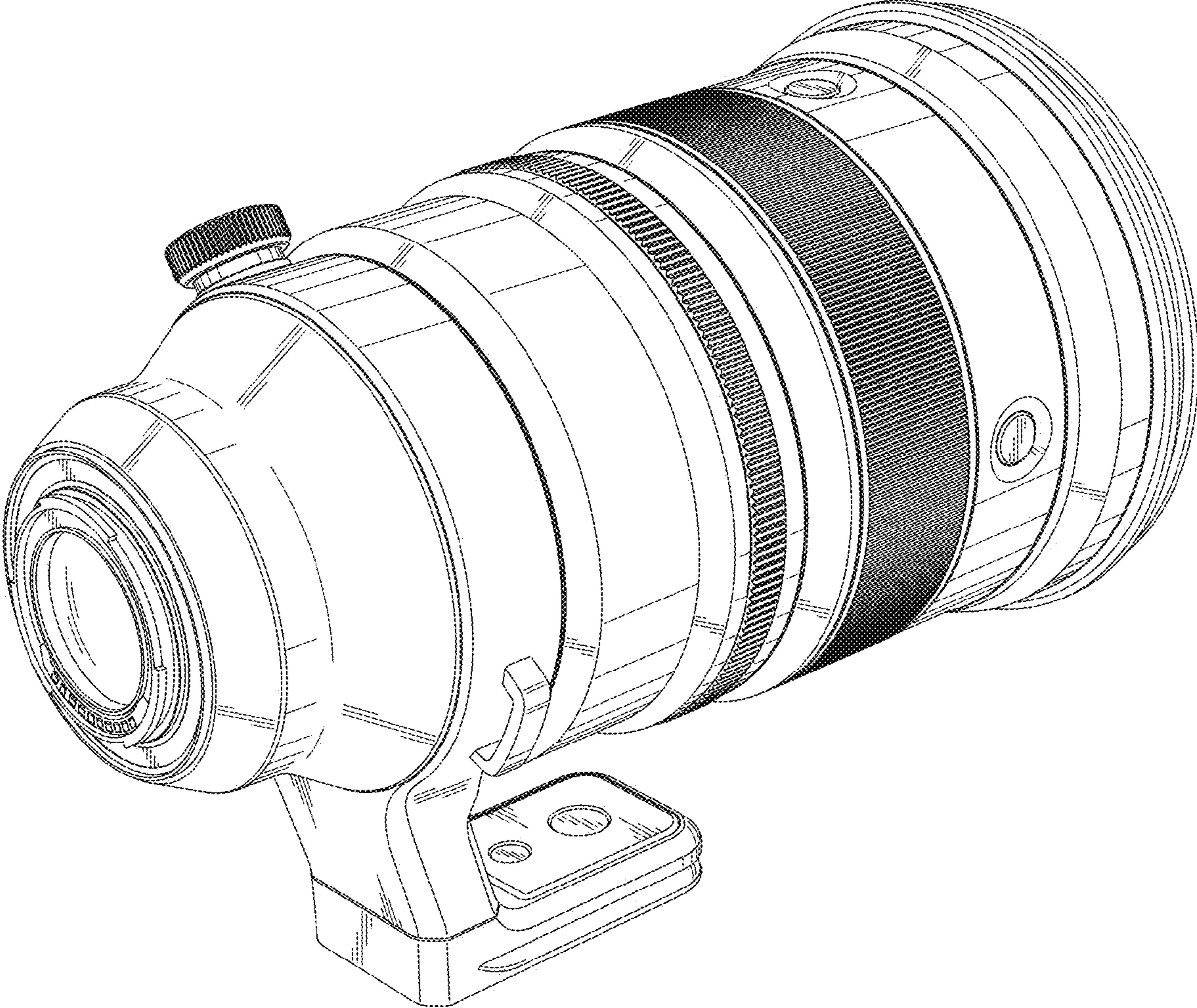


FIG. 3

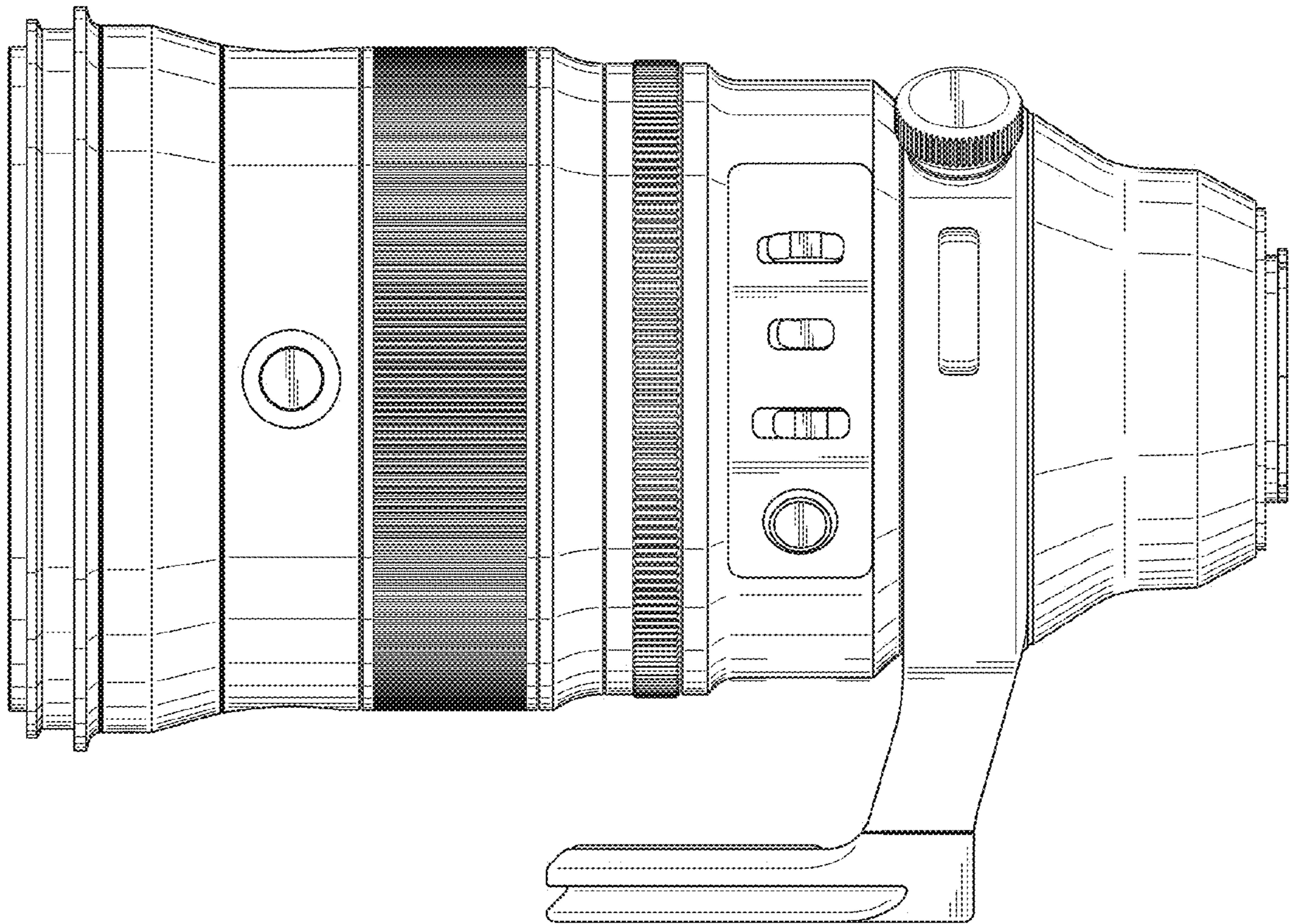


FIG. 4

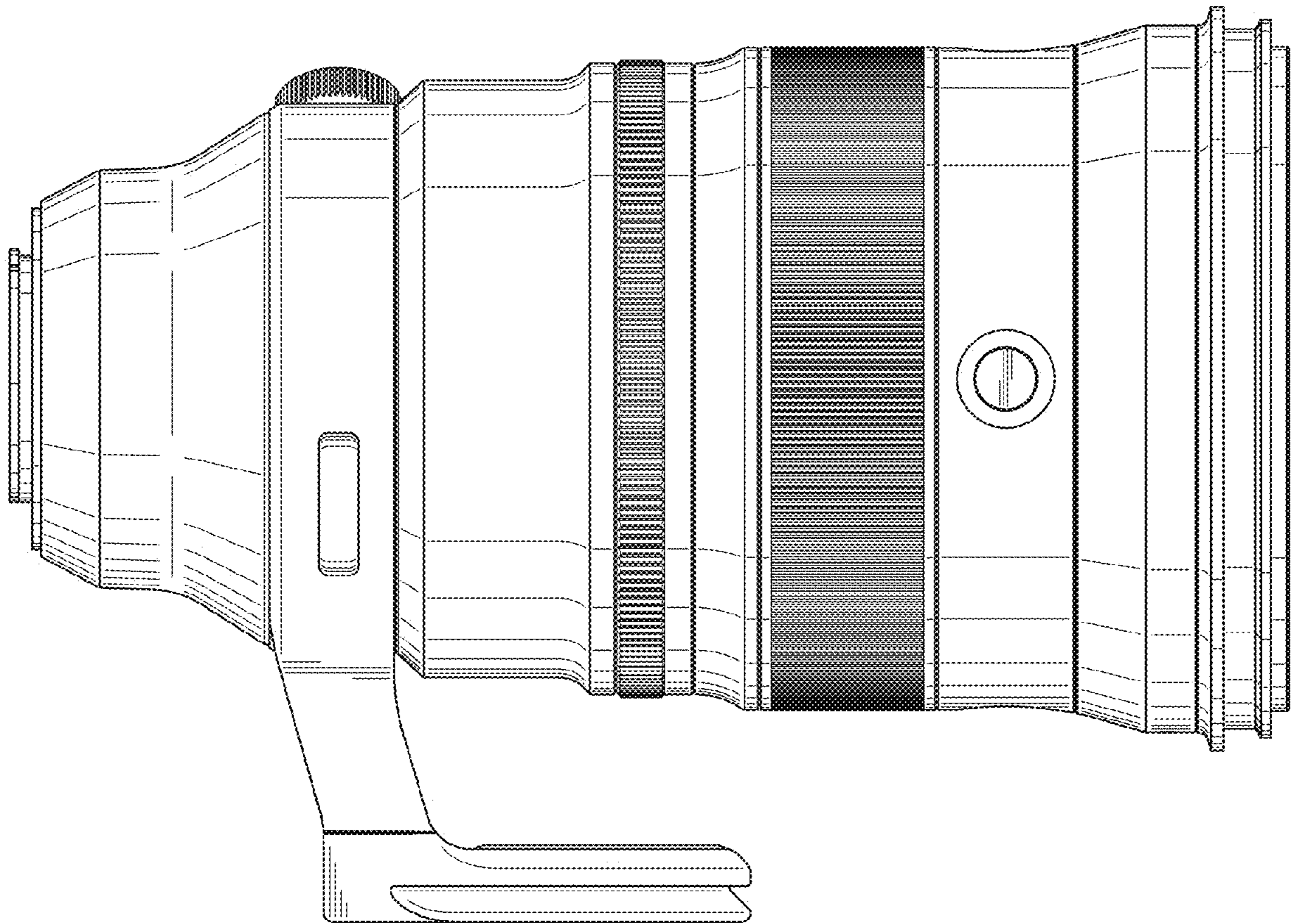


FIG. 5

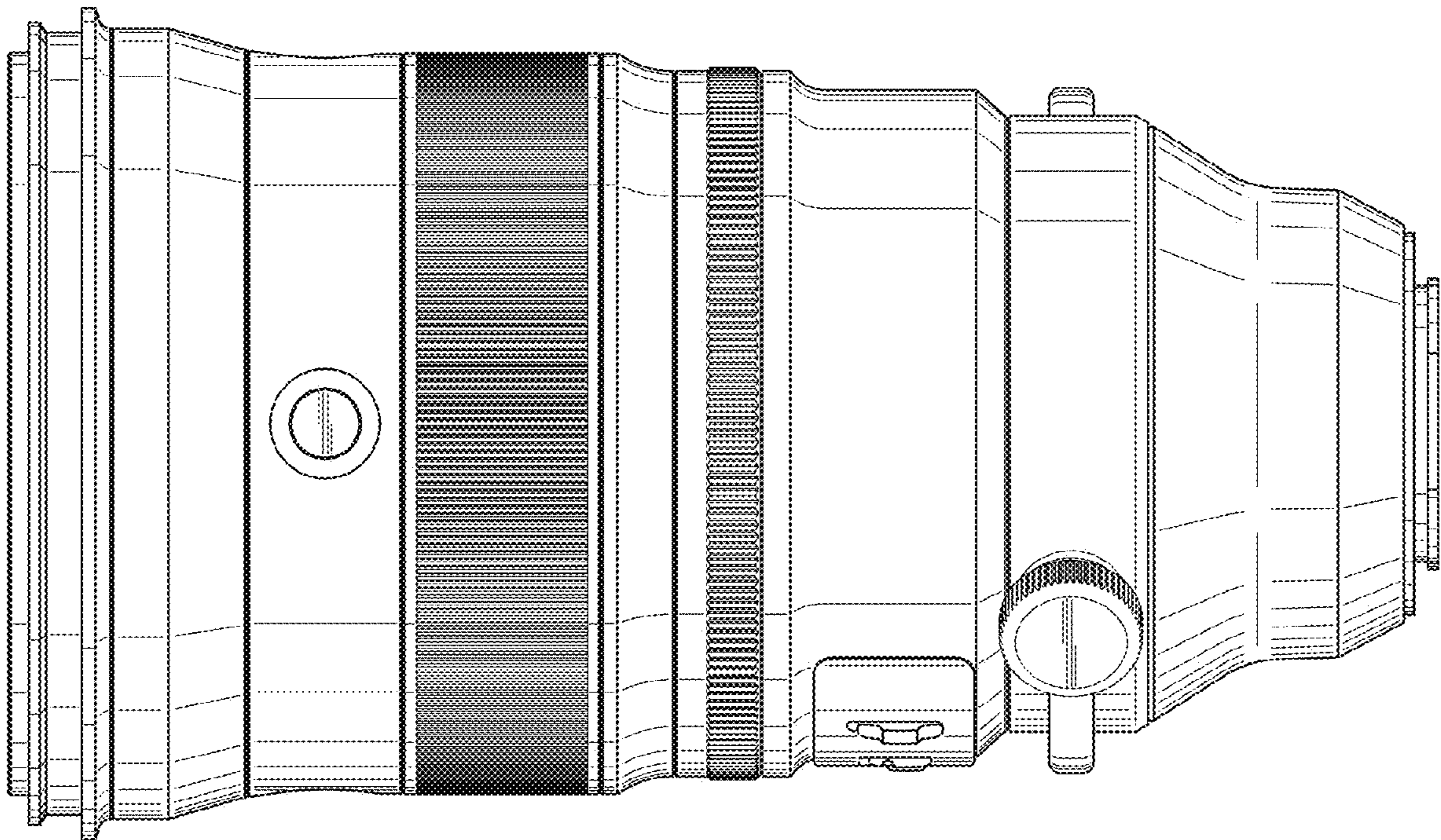


FIG. 6

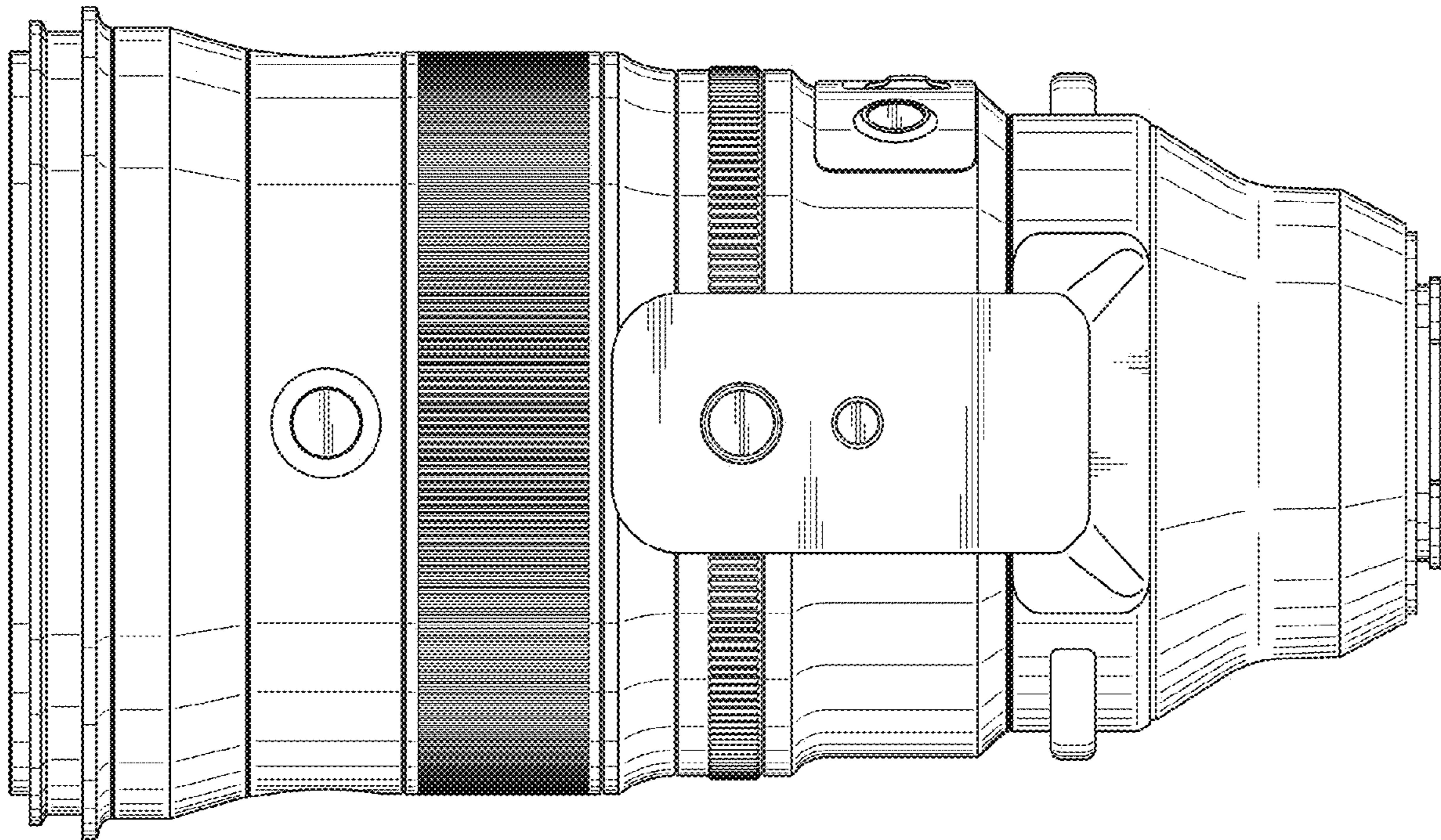


FIG. 7

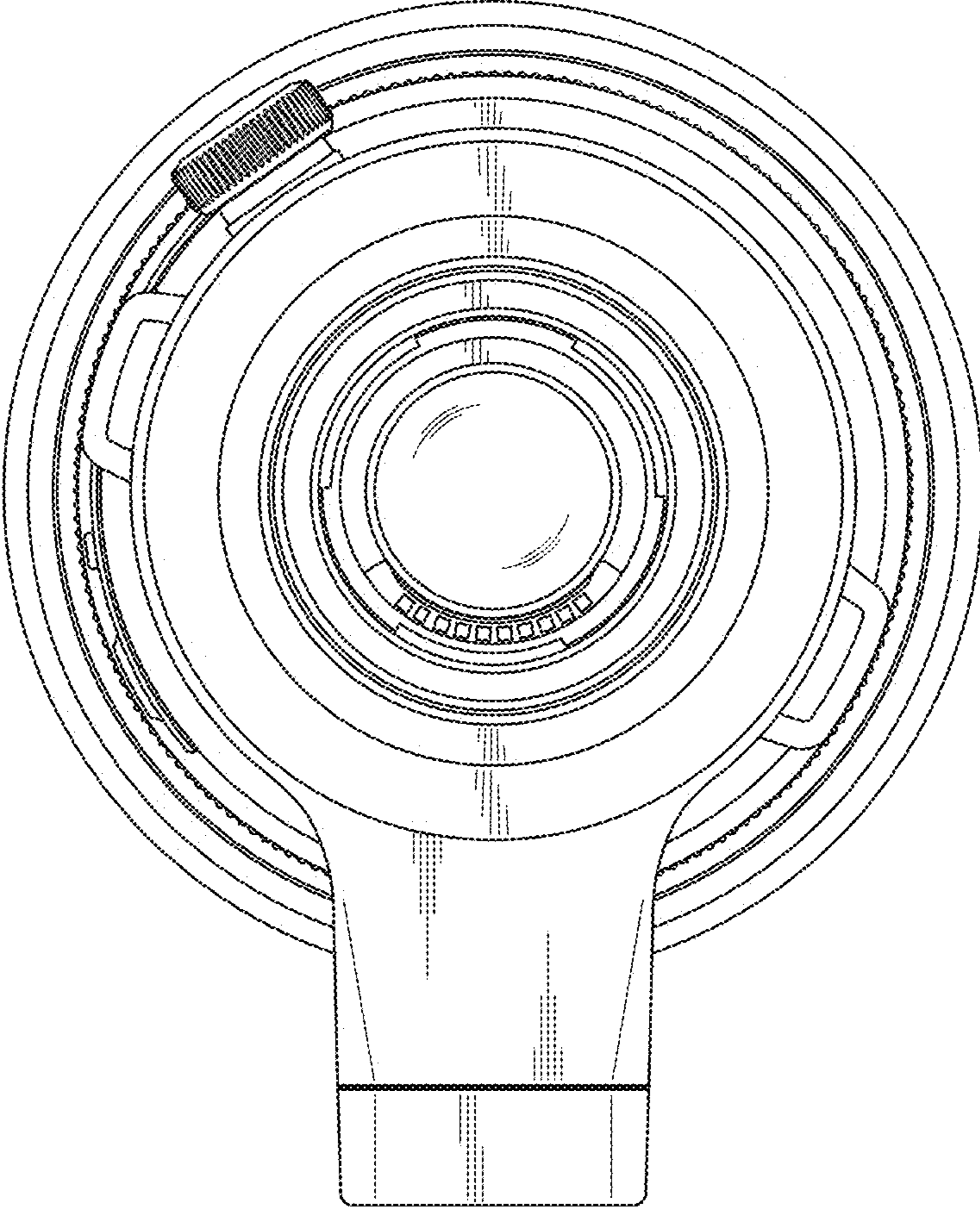


FIG. 8

