



US00D868131S

(12) **United States Design Patent**  
**Hu**

(10) **Patent No.:** **US D868,131 S**

(45) **Date of Patent:** **\*\* Nov. 26, 2019**

(54) **SPORTS CAMERA**

(71) Applicant: **Shenzhen Baker AV Digital Technology Co., Ltd.**, Guangdong (CN)

(72) Inventor: **Zhihui Hu**, Guangdong (CN)

(\*\*) Term: **15 Years**

(21) Appl. No.: **29/594,672**

(22) Filed: **Feb. 21, 2017**

(51) **LOC (12) Cl.** ..... **16-01**

(52) **U.S. Cl.**  
USPC ..... **D16/200**

(58) **Field of Classification Search**  
USPC ..... D16/200, 202–204, 208, 211, 218, 219, D16/237, 242; D3/263, 267, 268; 248/176.1, 187.1; 348/81, 360, 373–376, 348/835; 396/25, 27–29, 419, 535, 396/539–541  
CPC ..... G03B 15/03; G03B 17/02; G03B 17/04; G03B 17/08; G03B 17/56; G03B 19/04; H04N 5/2251; H04N 5/2252; H04N 5/2253; H04N 5/2254; A45C 11/38  
See application file for complete search history.

(56) **References Cited**

**U.S. PATENT DOCUMENTS**

8,014,656 B2 \* 9/2011 Woodman ..... B63B 25/002 396/25  
D647,554 S \* 10/2011 Yim ..... D16/204  
D702,747 S \* 4/2014 Woodman ..... D16/200

D710,921 S \* 8/2014 Gioscia ..... D16/200  
D710,922 S \* 8/2014 Gioscia ..... D16/200  
D725,169 S \* 3/2015 Gioscia ..... D16/200  
D734,799 S \* 7/2015 Woodman ..... D16/200  
D739,451 S \* 9/2015 Gioscia ..... D16/200  
D750,146 S \* 2/2016 Costa ..... D16/200  
D776,741 S \* 1/2017 Parfitt ..... D16/204  
D804,560 S \* 12/2017 Costa ..... D16/200  
D808,163 S \* 1/2018 Song ..... D3/269  
2009/0317069 A1 \* 12/2009 Yim ..... G03B 17/08 396/27

\* cited by examiner

*Primary Examiner* — Ramzi S Almatrahi

(74) *Attorney, Agent, or Firm* — Prakash Nama; Global IP Services, PLLC

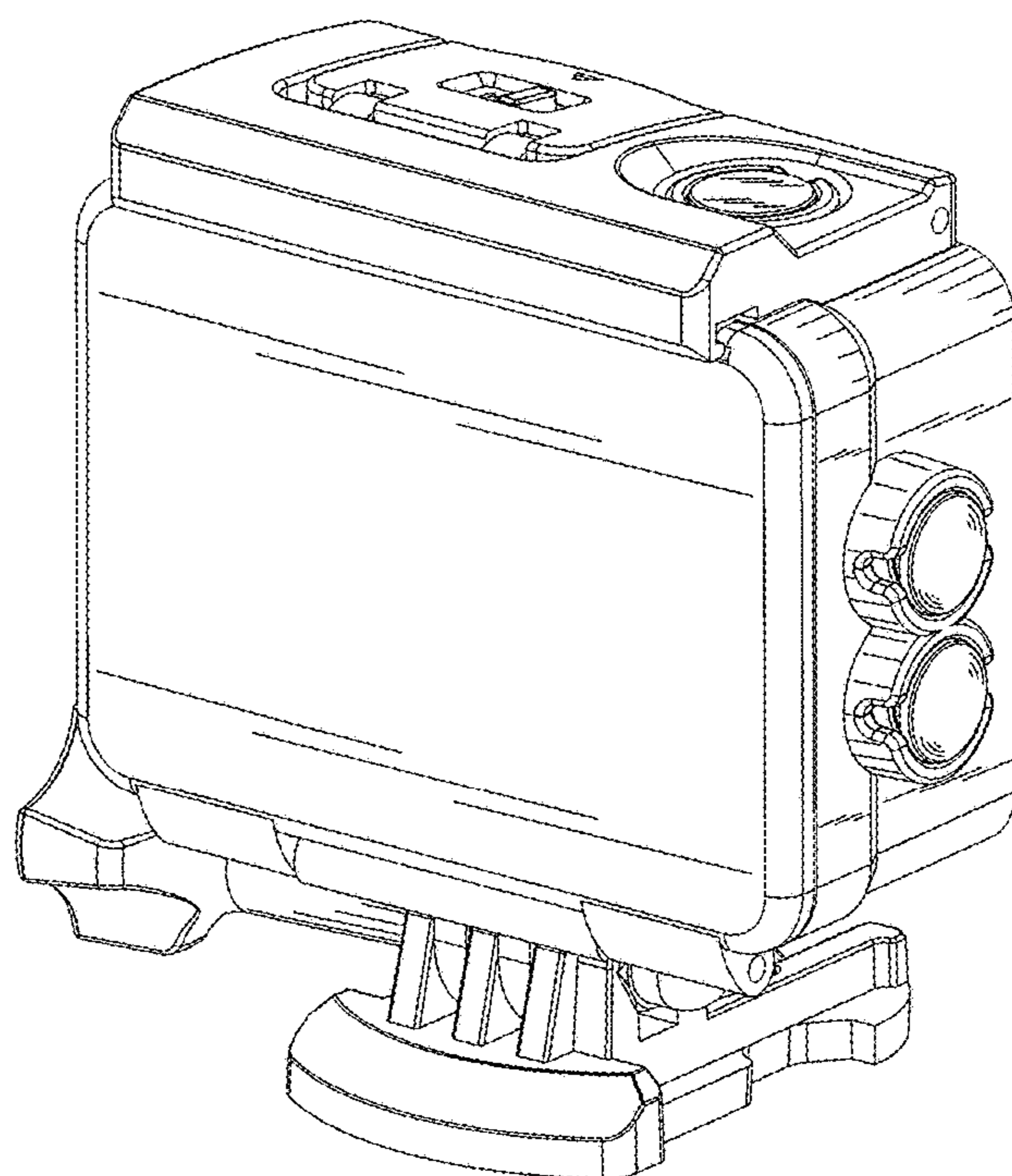
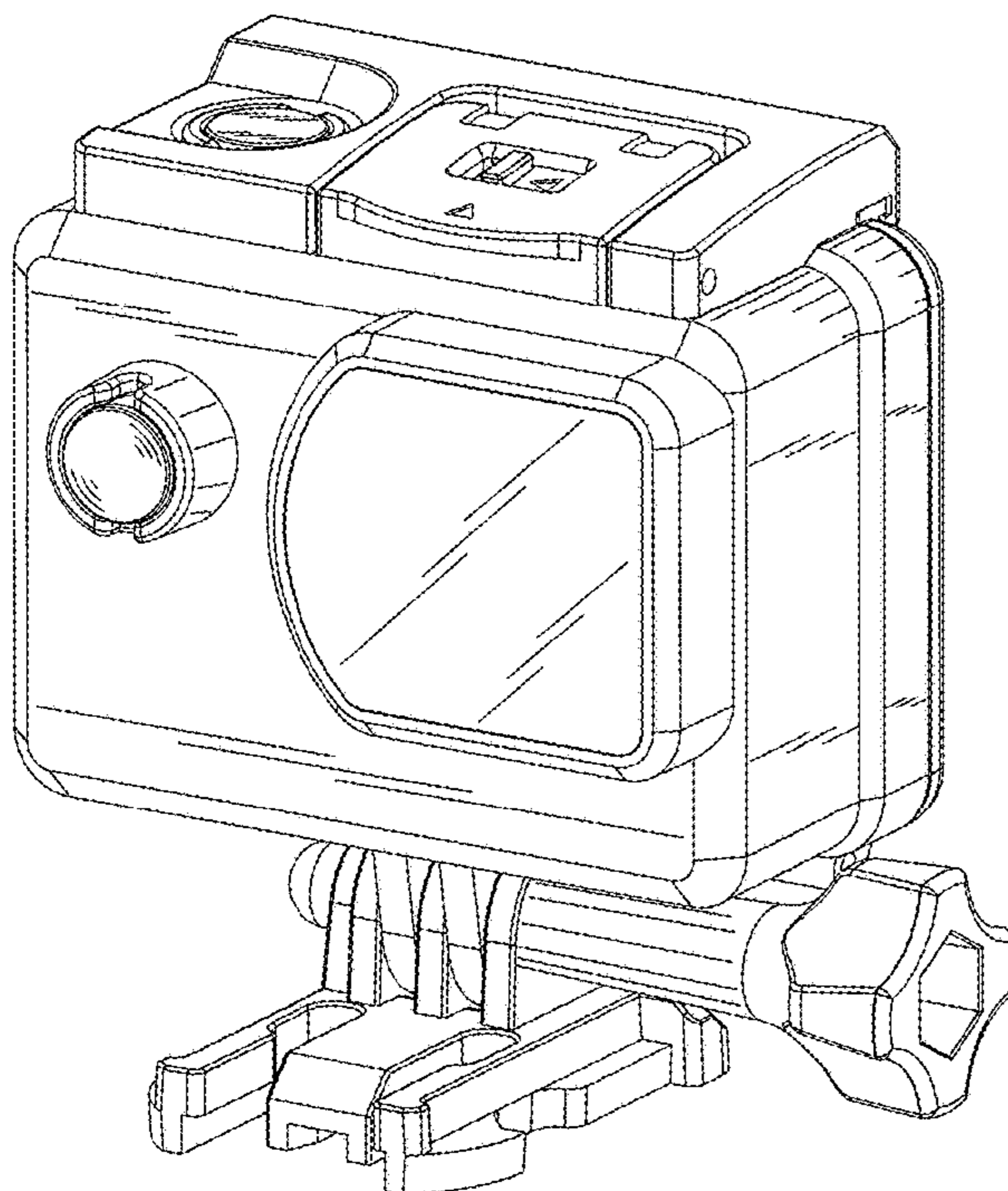
(57) **CLAIM**

The ornamental design for a sports camera, as shown and described.

**DESCRIPTION**

FIG. 1 is a front elevational view of a sports camera showing my new design;  
FIG. 2 is a rear elevational view thereof;  
FIG. 3 is a left side view thereof;  
FIG. 4 is a right side view thereof;  
FIG. 5 is a top plan view thereof;  
FIG. 6 is a bottom plan view thereof;  
FIG. 7 is a front perspective view thereof; and,  
FIG. 8 is a rear perspective view thereof.  
The broken lines depict portions of the sports camera in which the design is embodied that form no part of the claimed design.

**1 Claim, 8 Drawing Sheets**



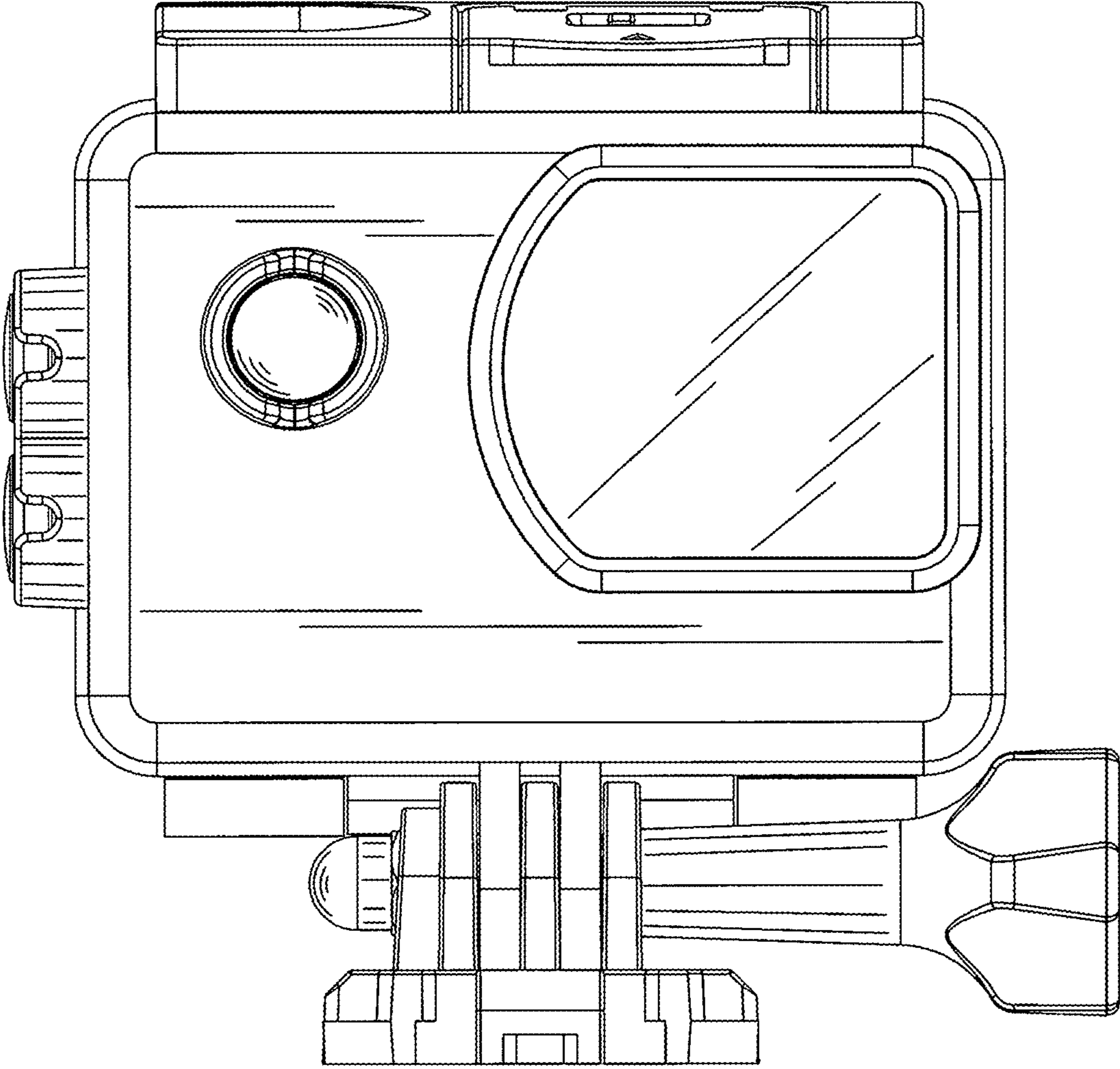


Fig. 1

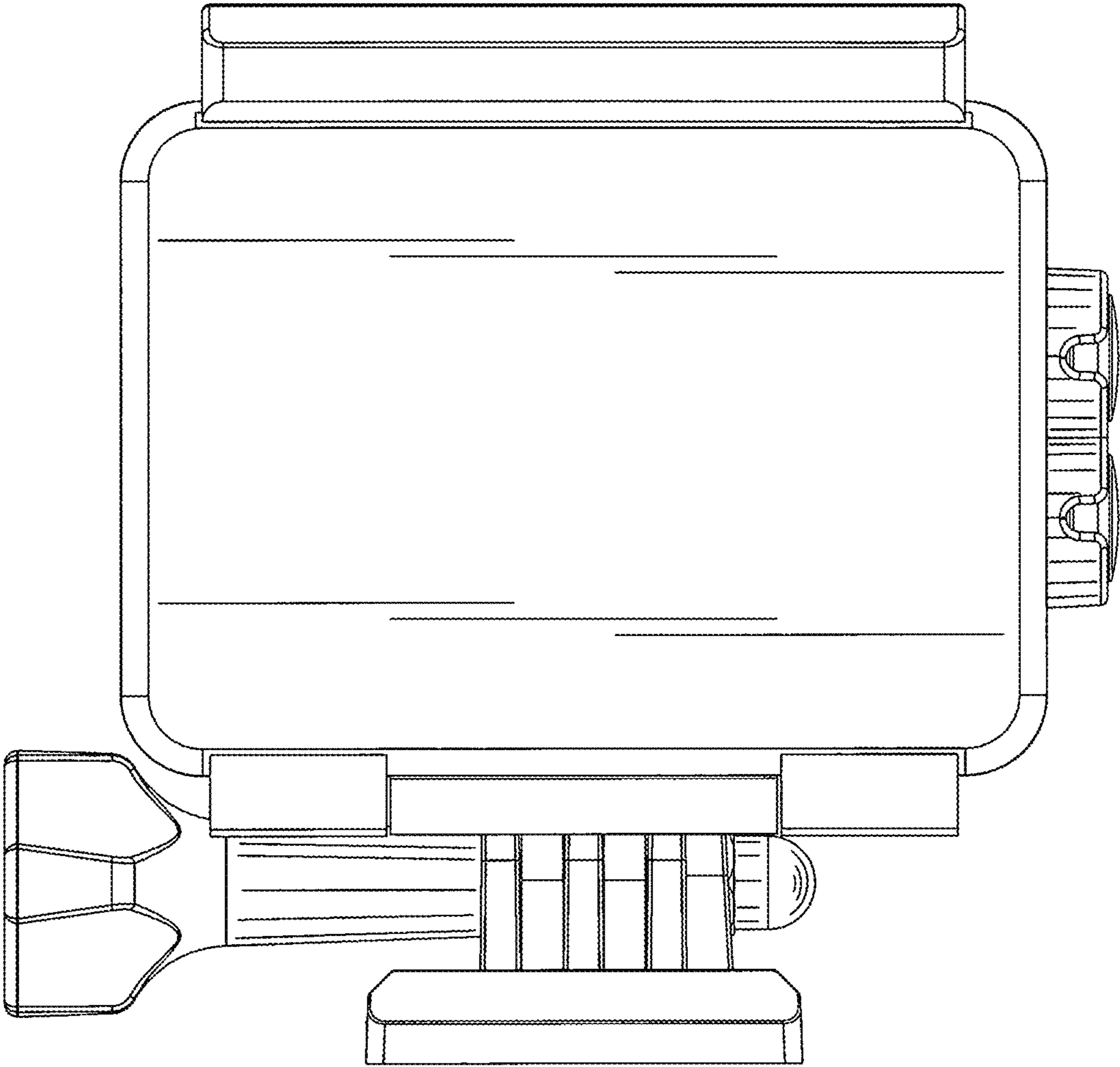


Fig. 2

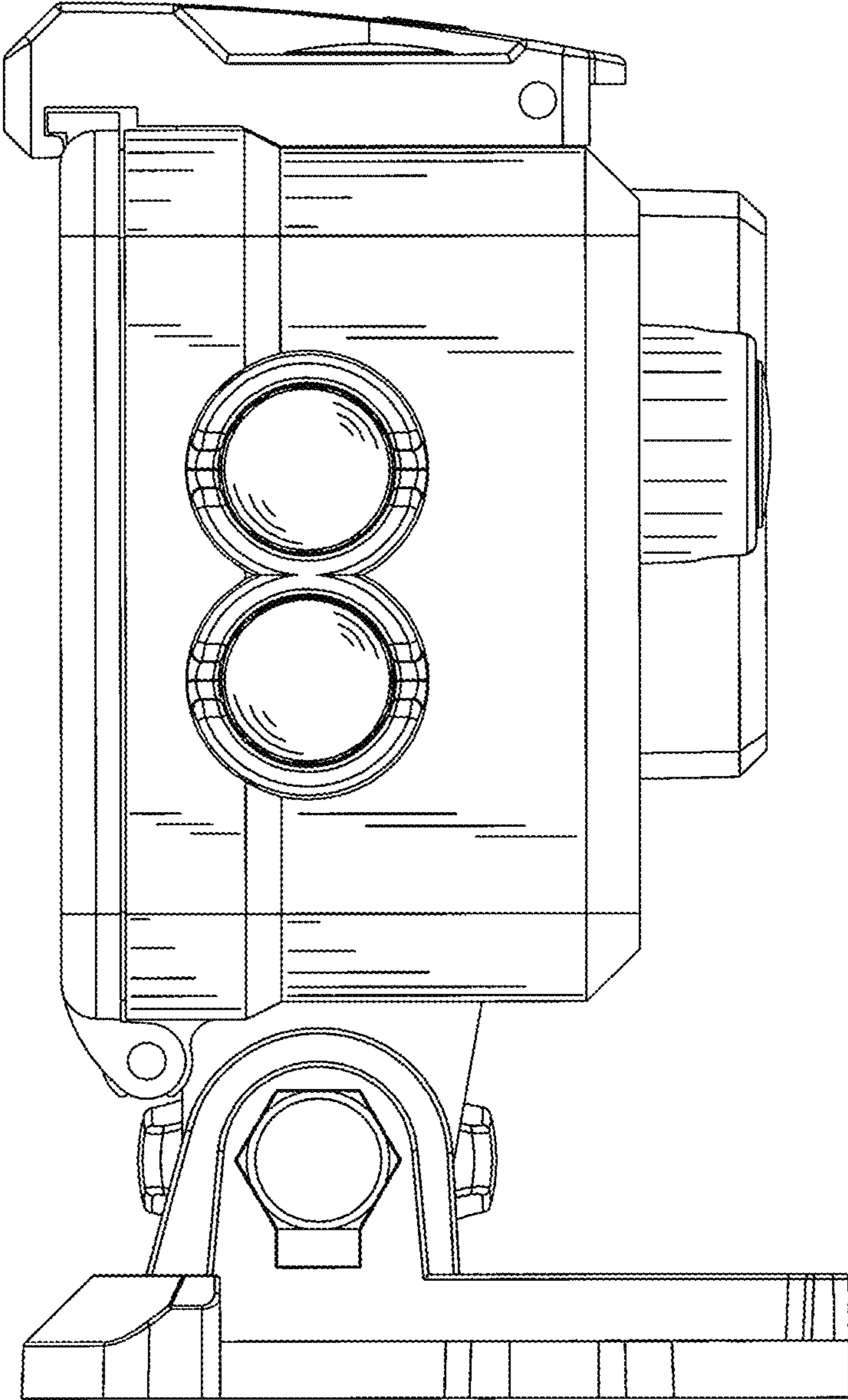


Fig. 3

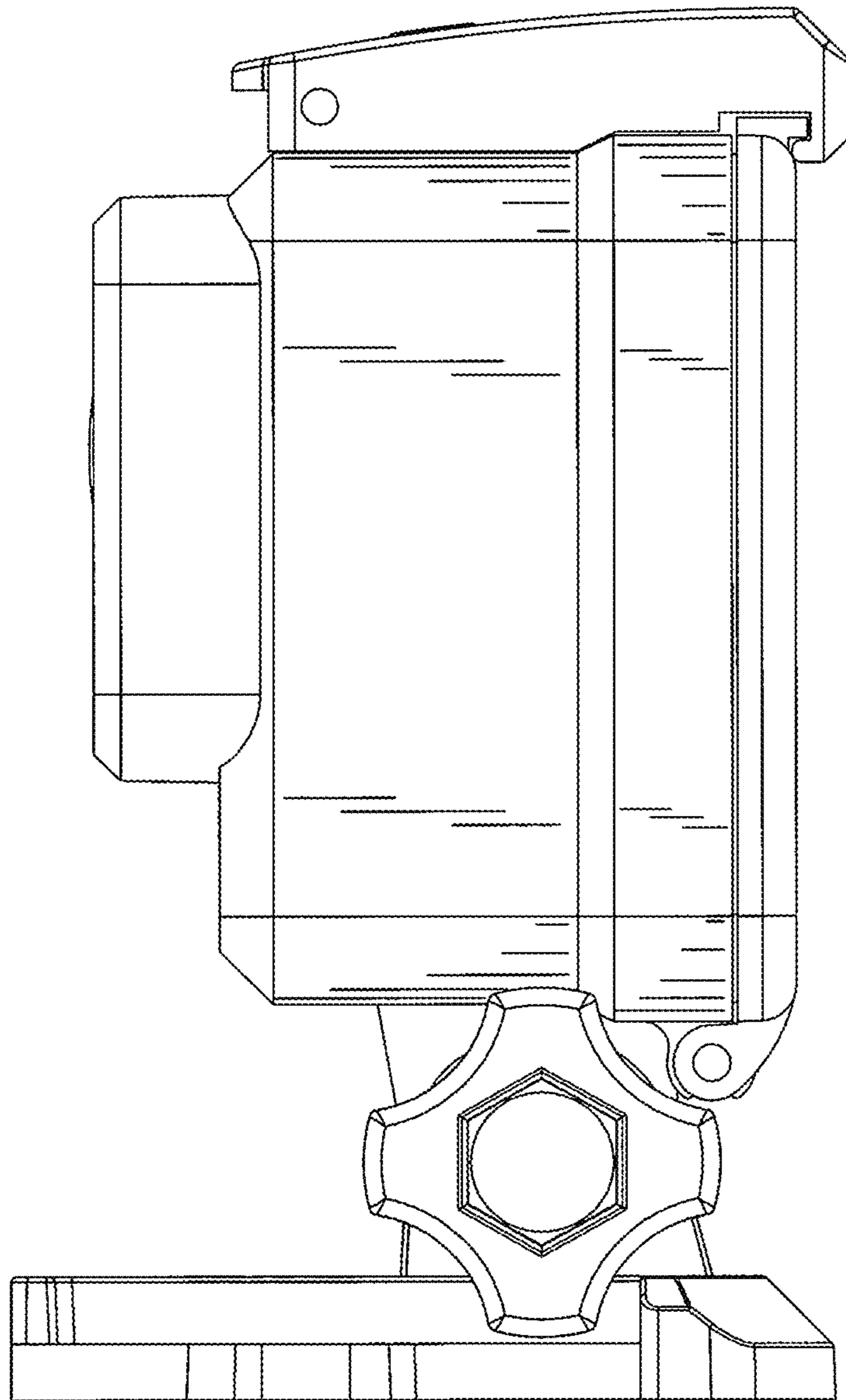


Fig. 4

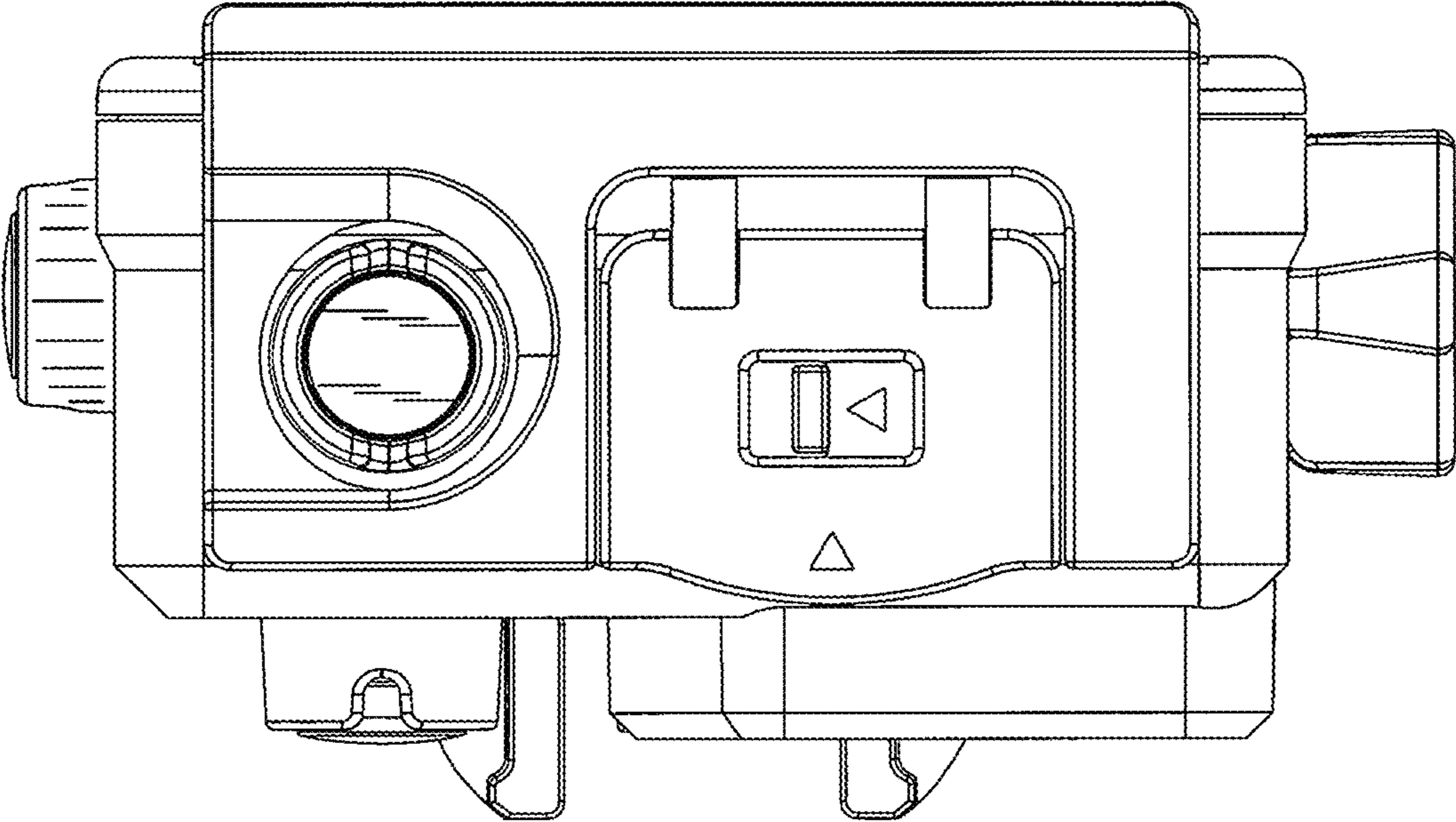


Fig. 5

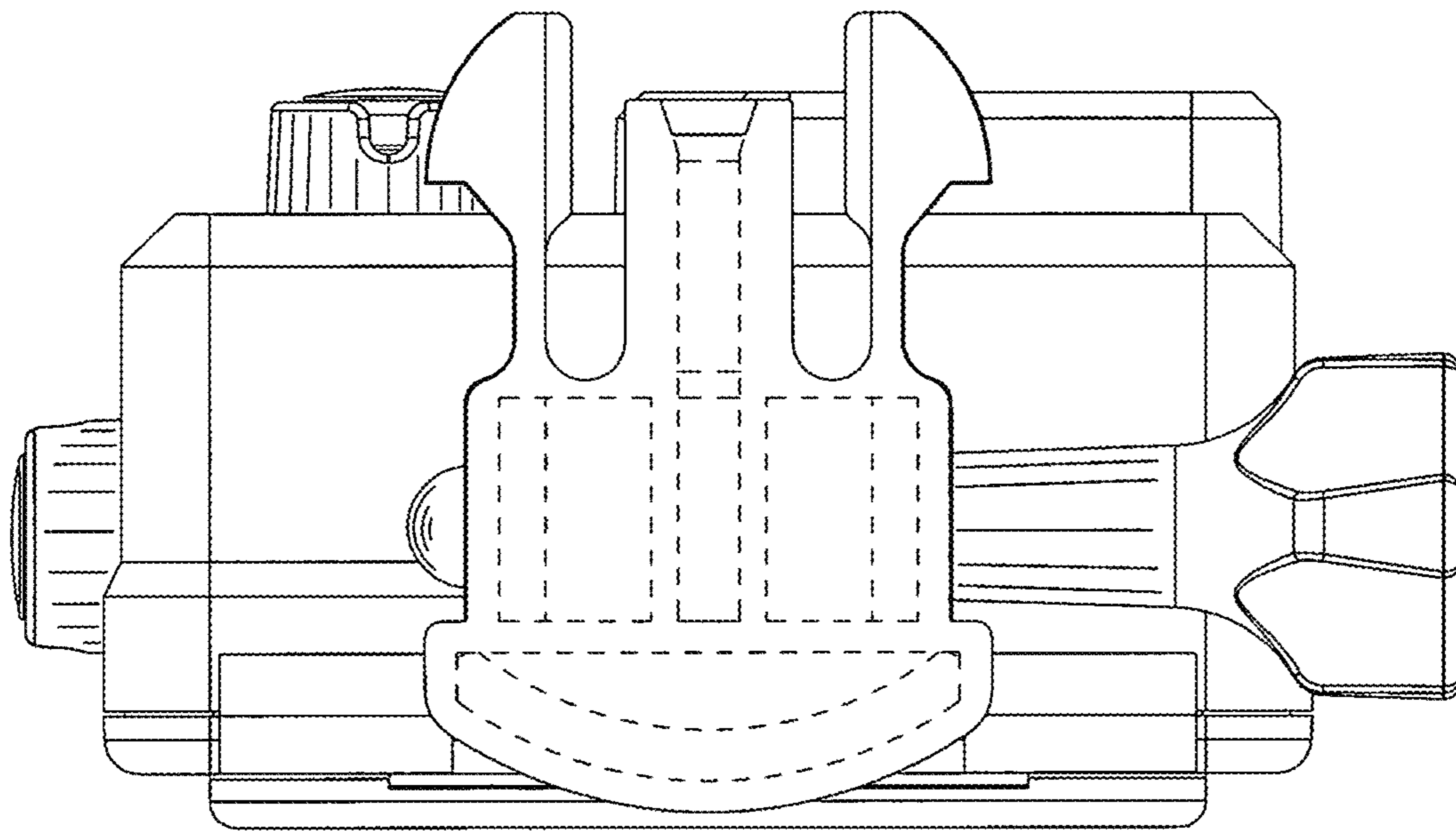


Fig. 6

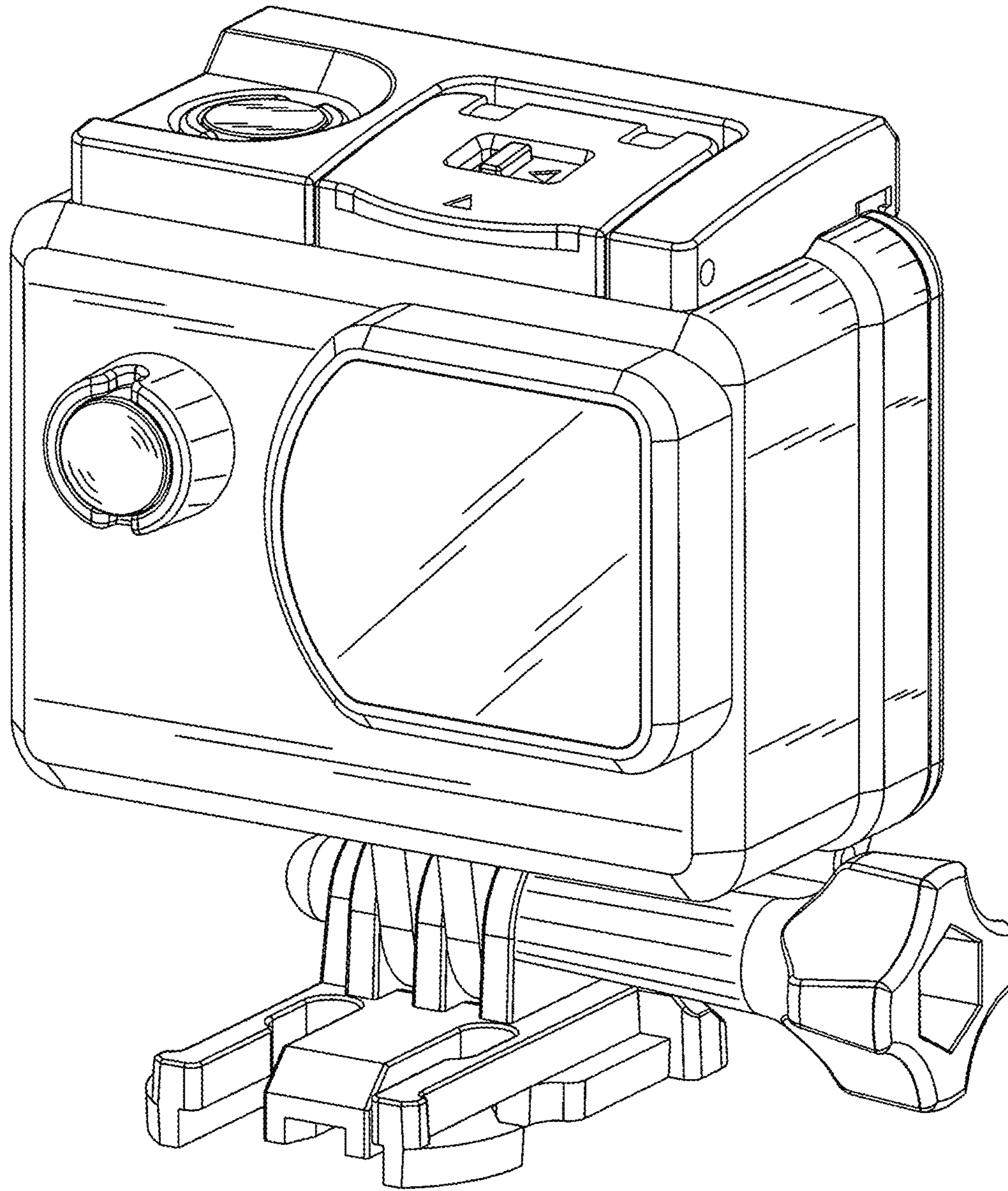


Fig. 7



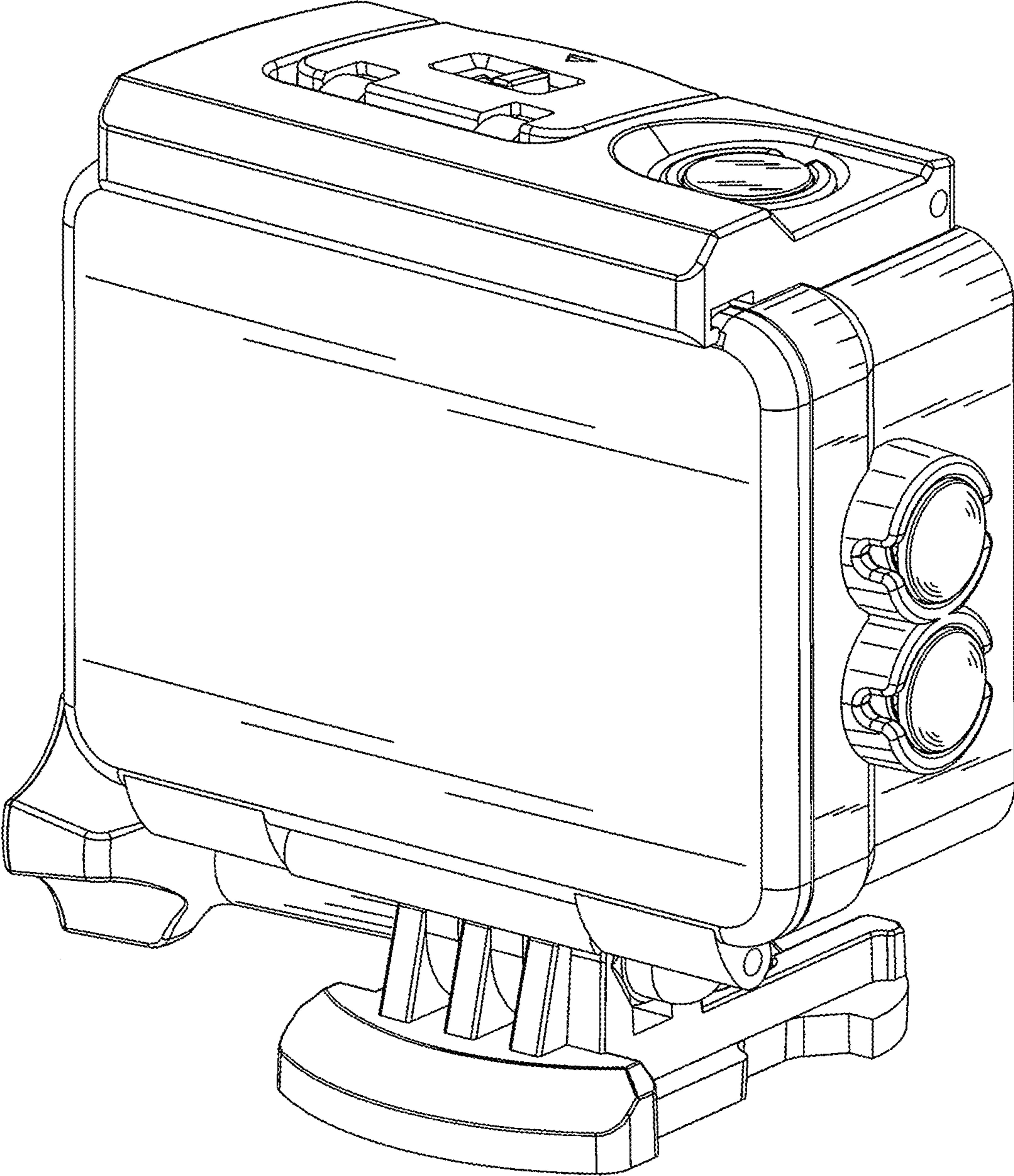


Fig. 8