

US00D868130S

(12) **United States Design Patent**  
**Grasheim**

(10) **Patent No.:** **US D868,130 S**

(45) **Date of Patent:** **\*\* Nov. 26, 2019**

(54) **COMBINED SWITCH PANEL AND HOUSING FOR A NIGHT VISION DEVICE**

(71) Applicant: **Nightline, Inc.**, Mountain City, TN (US)

(72) Inventor: **Walter Lee Grasheim**, Mountain City, TN (US)

(73) Assignee: **Nightline, Inc.**, Mountain City, TN (US)

(\*\*) Term: **15 Years**

(21) Appl. No.: **29/618,909**

(22) Filed: **Sep. 25, 2017**

**Related U.S. Application Data**

(62) Division of application No. 29/549,071, filed on Dec. 18, 2015, now Pat. No. Des. 798,356.

(51) **LOC (12) Cl.** ..... **16-01**

(52) **U.S. Cl.**  
USPC ..... **D16/132**

(58) **Field of Classification Search**  
USPC ..... D16/130, 131, 132, 134, 136, 137, 219, D16/235, 237; D26/120; D13/174  
CPC ..... G02B 23/16; G02B 23/12; G02B 23/18; G02B 27/0176  
See application file for complete search history.

(56) **References Cited**

**U.S. PATENT DOCUMENTS**

D362,257 S \* 9/1995 Palmer ..... D16/133  
D371,786 S \* 7/1996 Maeyama ..... D14/168

D472,256 S \* 3/2003 Schick ..... D16/132  
D472,569 S \* 4/2003 Schick ..... D16/132  
D482,710 S \* 11/2003 Ho ..... D16/132  
D492,334 S \* 6/2004 Hines ..... D16/132  
D522,031 S \* 5/2006 Siu ..... D16/132  
D539,317 S \* 3/2007 Tonhofer ..... D16/132  
D547,780 S \* 7/2007 Meinzer ..... D16/132  
D564,555 S \* 3/2008 Palmer ..... D16/132  
D716,858 S \* 11/2014 Kobayashi ..... D16/132  
D752,670 S \* 3/2016 Chen ..... D16/132  
D798,356 S \* 9/2017 Grasheim ..... D16/132

\* cited by examiner

*Primary Examiner* — Sheryl Lane

*Assistant Examiner* — Calvin E Vansant

(74) *Attorney, Agent, or Firm* — Mintz Levin Cohn Ferris Glovsky and Popeo, P.C.; Steven M. Jensen

(57) **CLAIM**

The ornamental design for a combined switch panel and housing for a night vision device, as shown.

**DESCRIPTION**

FIG. 1 is a top, front, right perspective view of a combined switch panel and housing for a night vision device showing my new design;

FIG. 2 is a right view thereof;

FIG. 3 is a left view thereof;

FIG. 4 is a front view thereof;

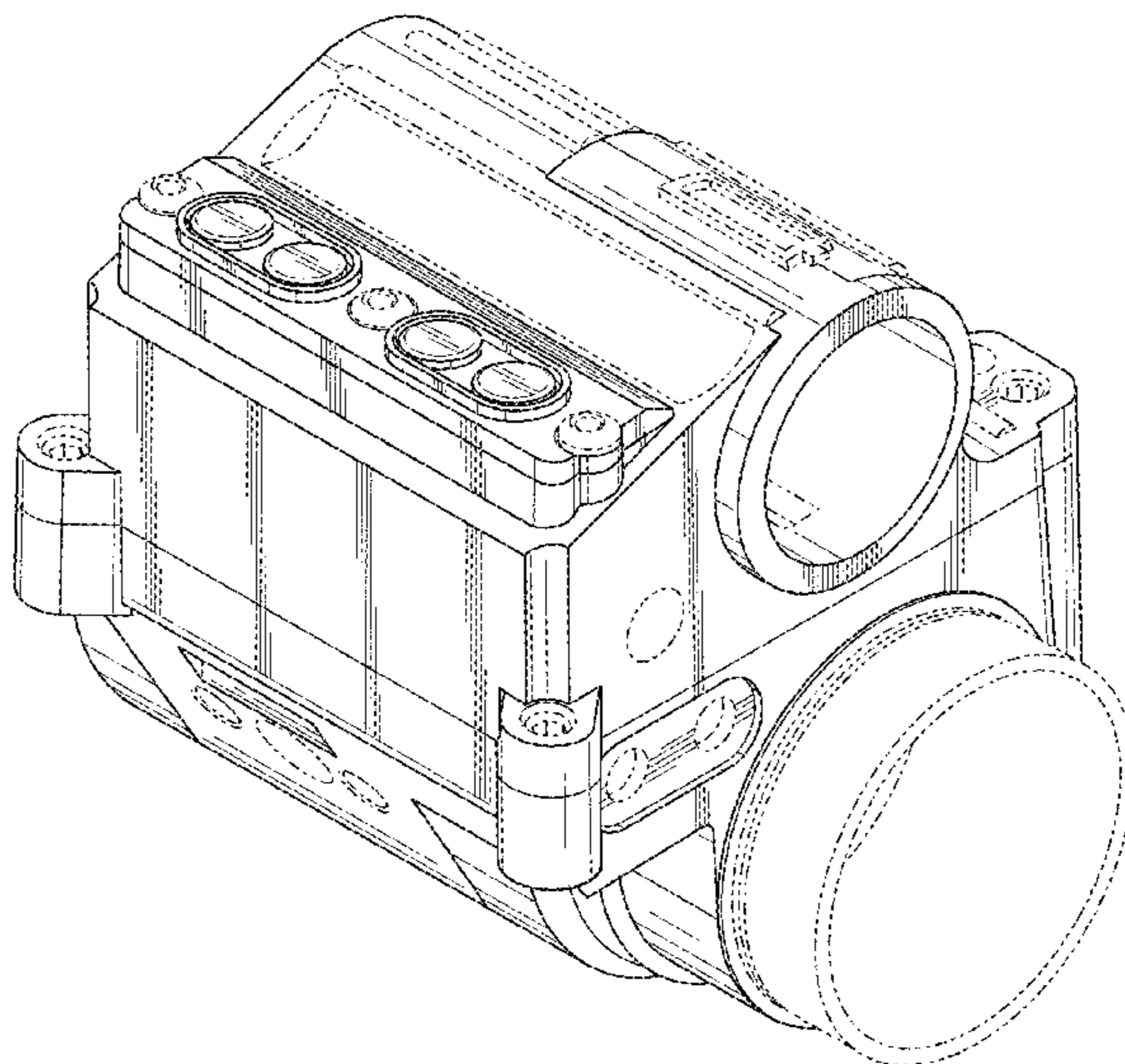
FIG. 5 is a back view thereof;

FIG. 6 is a top view thereof; and,

FIG. 7 is a bottom view thereof.

The broken lines in the drawings depict portions of the combined switch panel and housing for a night vision device and form no part of the claimed design.

**1 Claim, 7 Drawing Sheets**



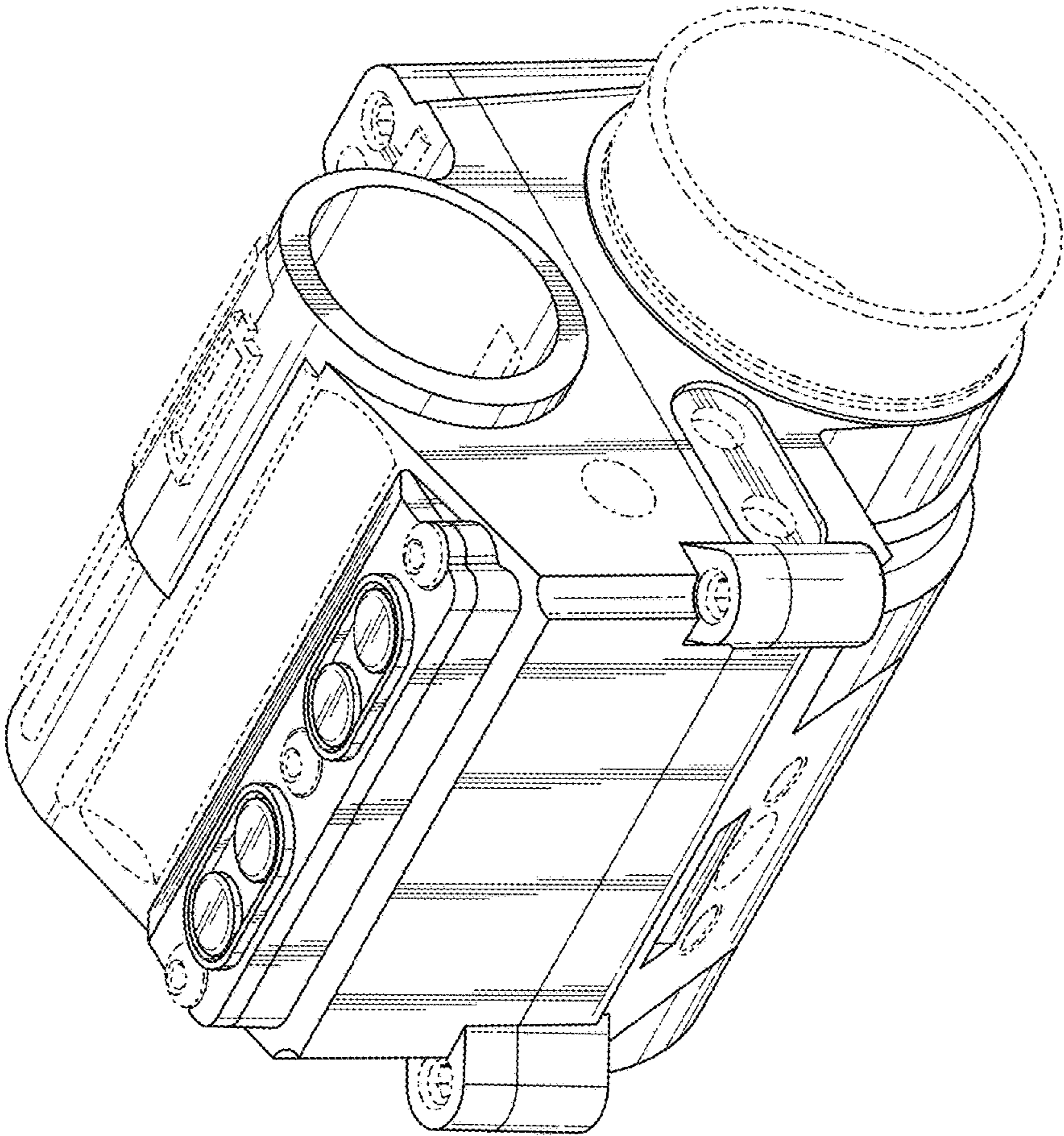


FIG. 1

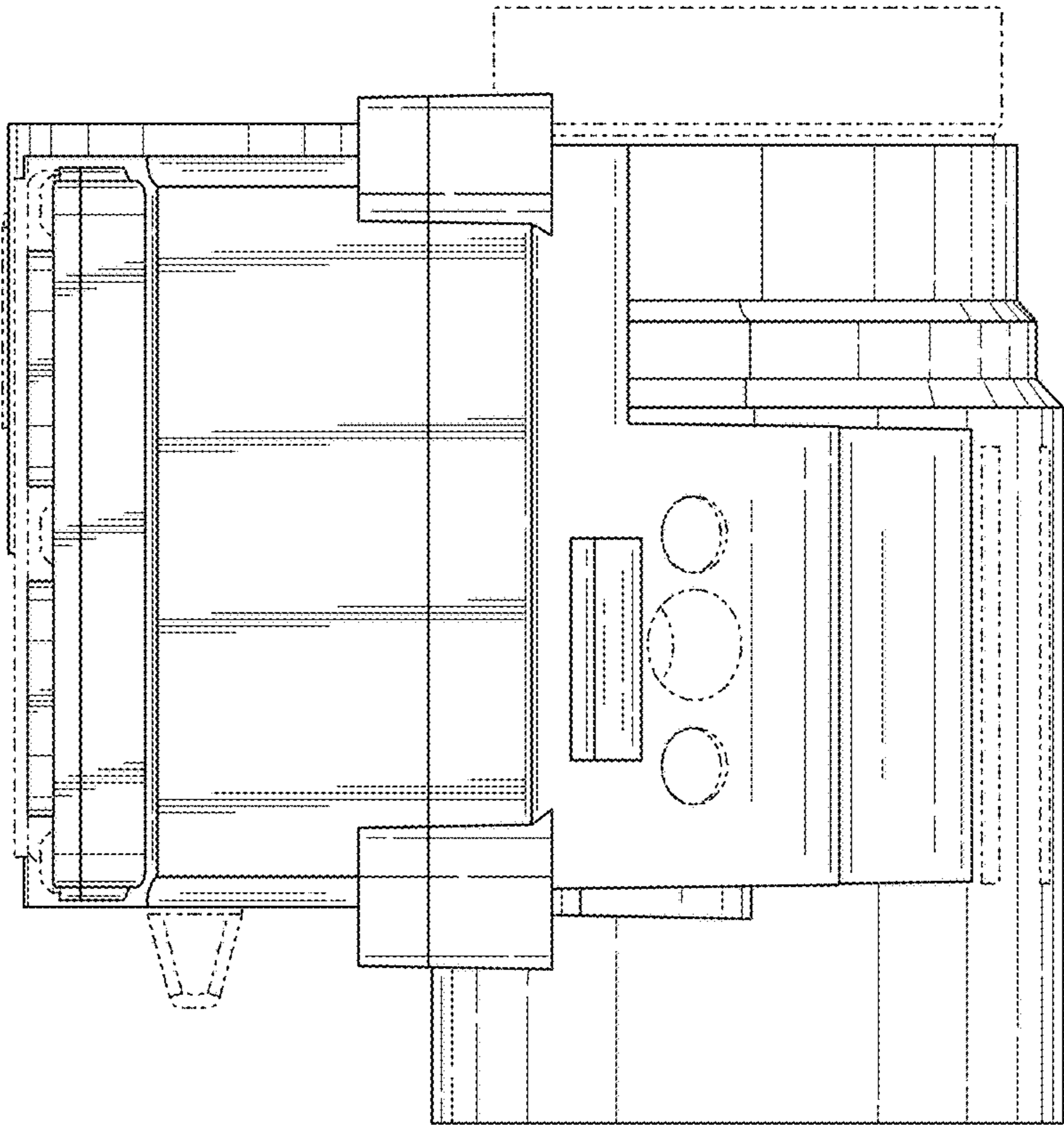


FIG. 2

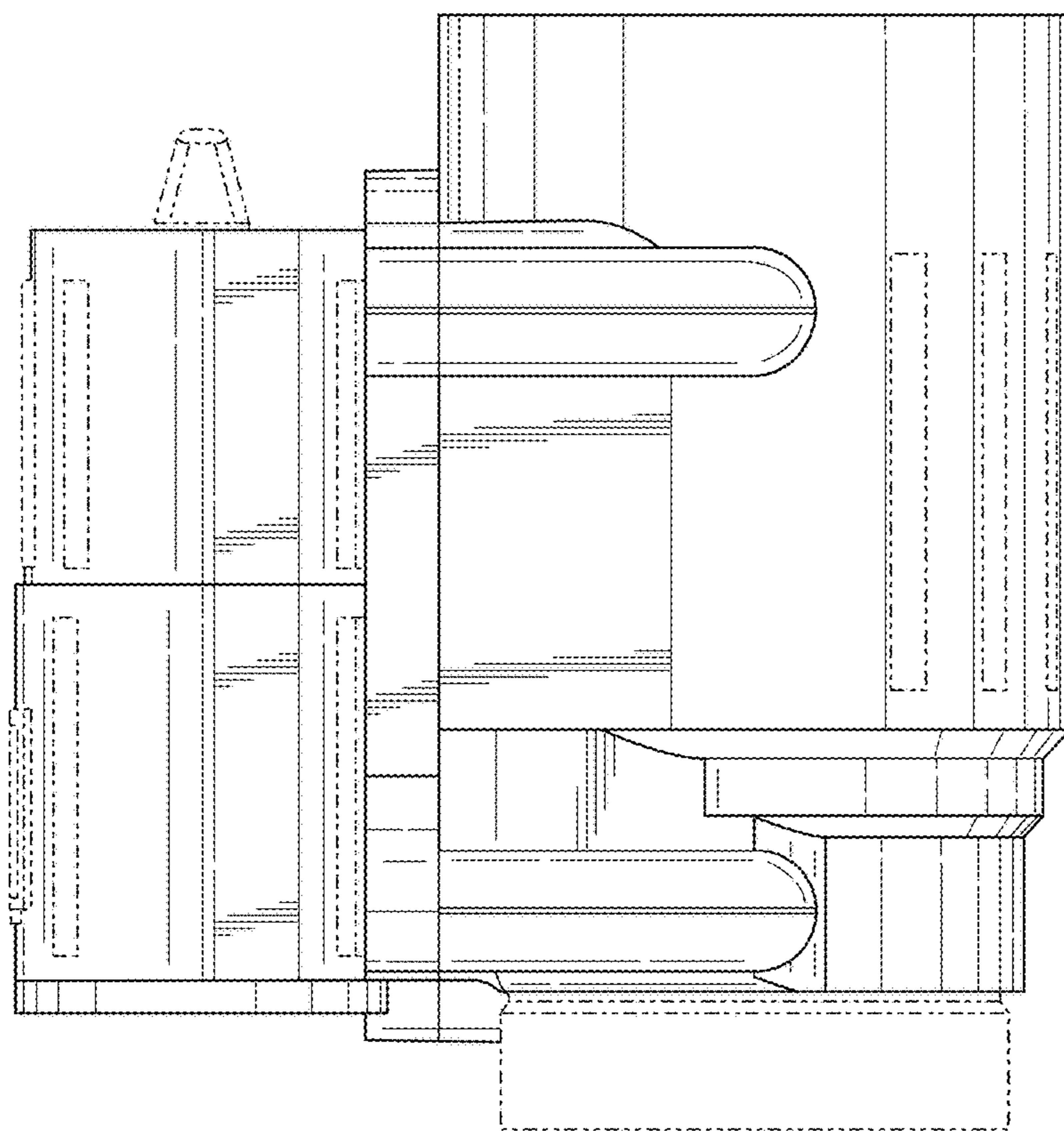


FIG. 3

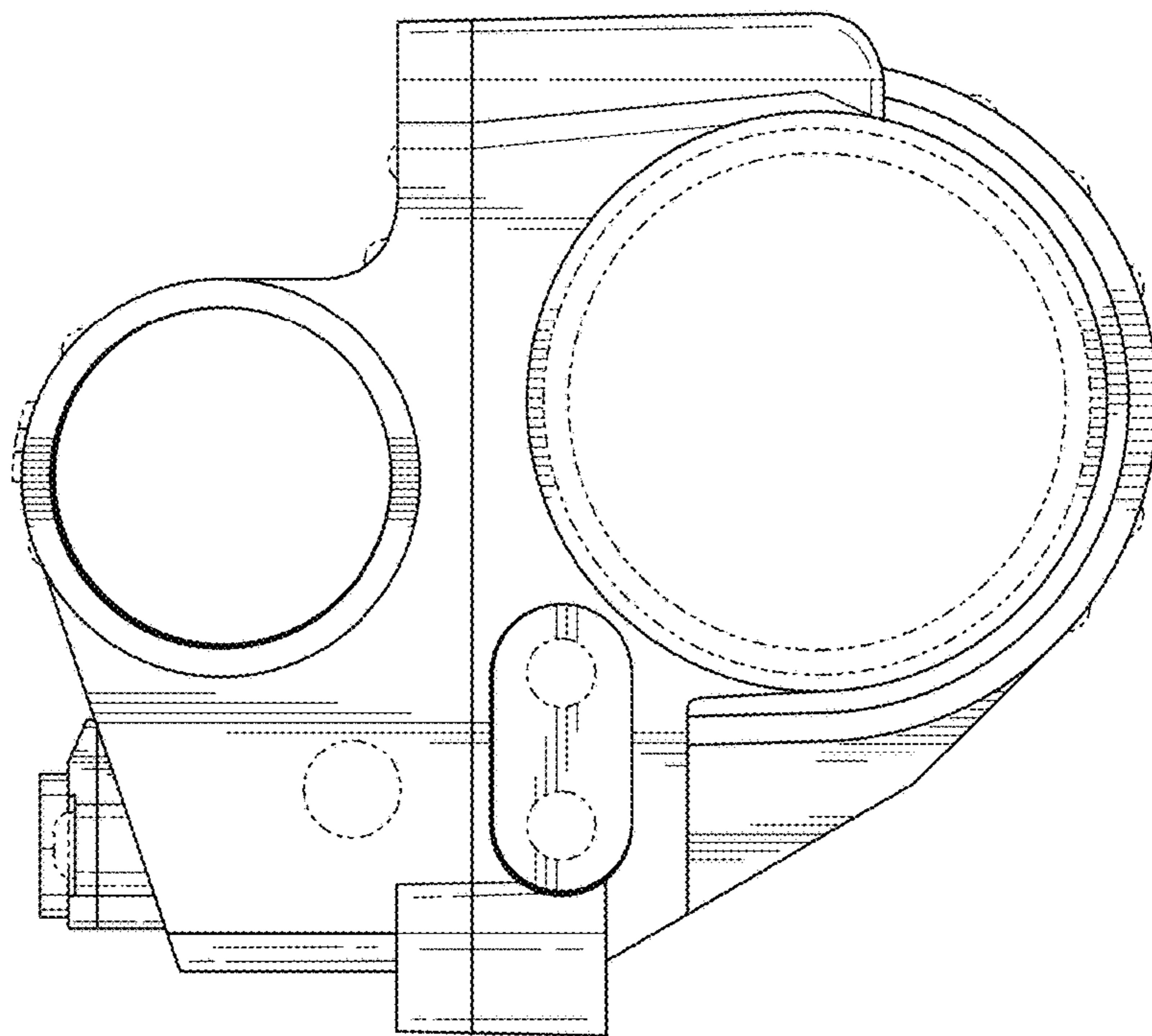


FIG. 4

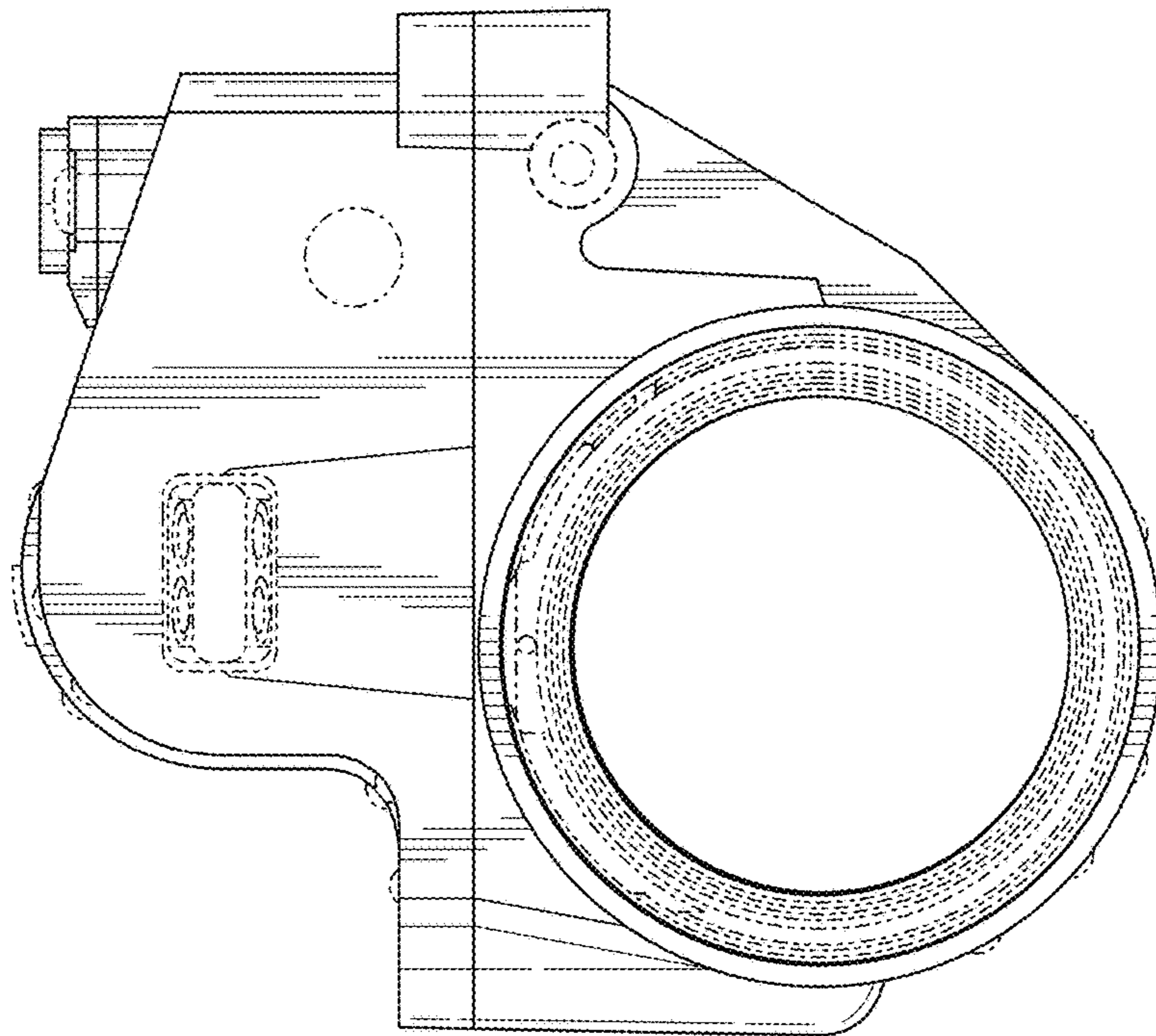


FIG. 5

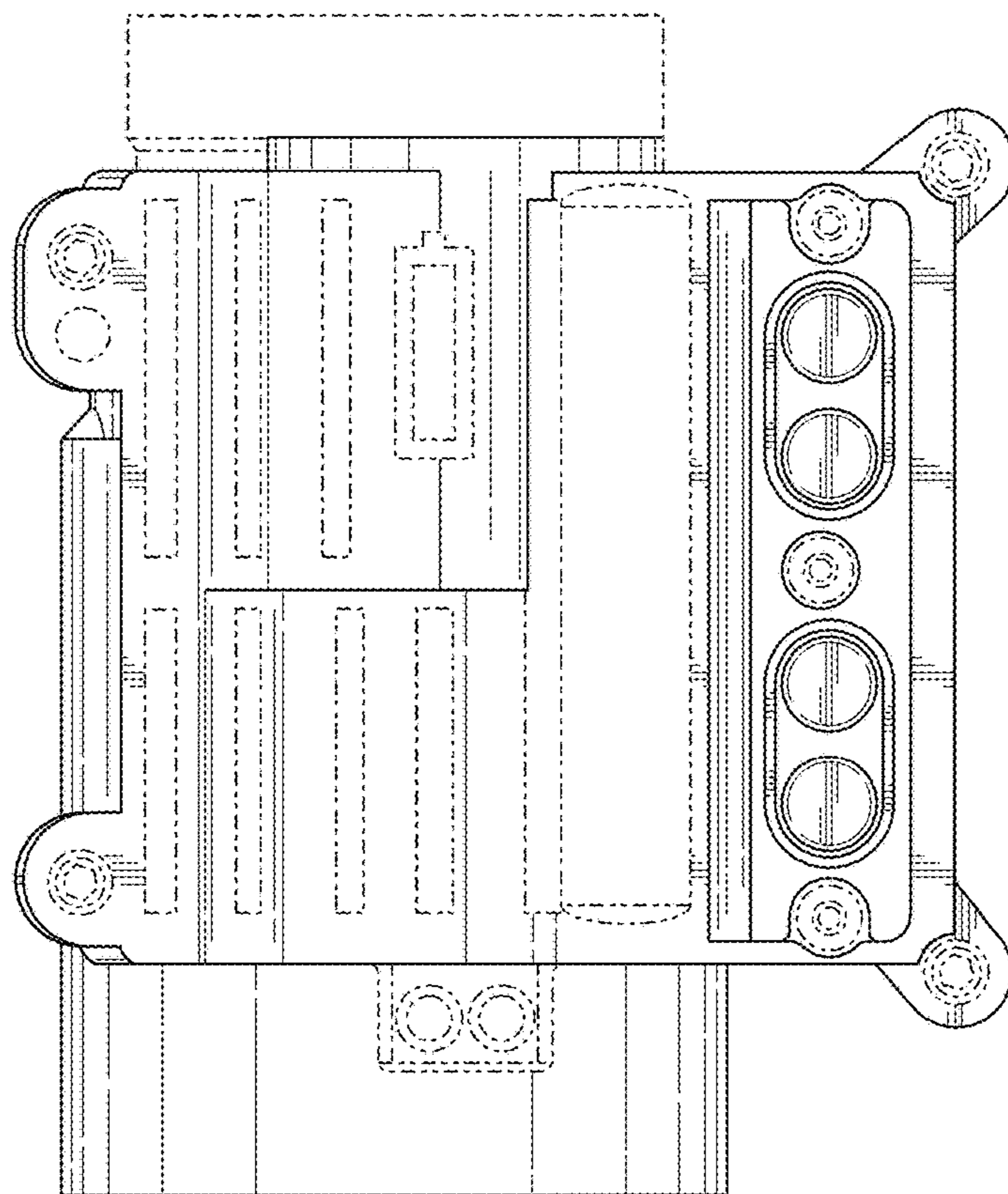


FIG. 6

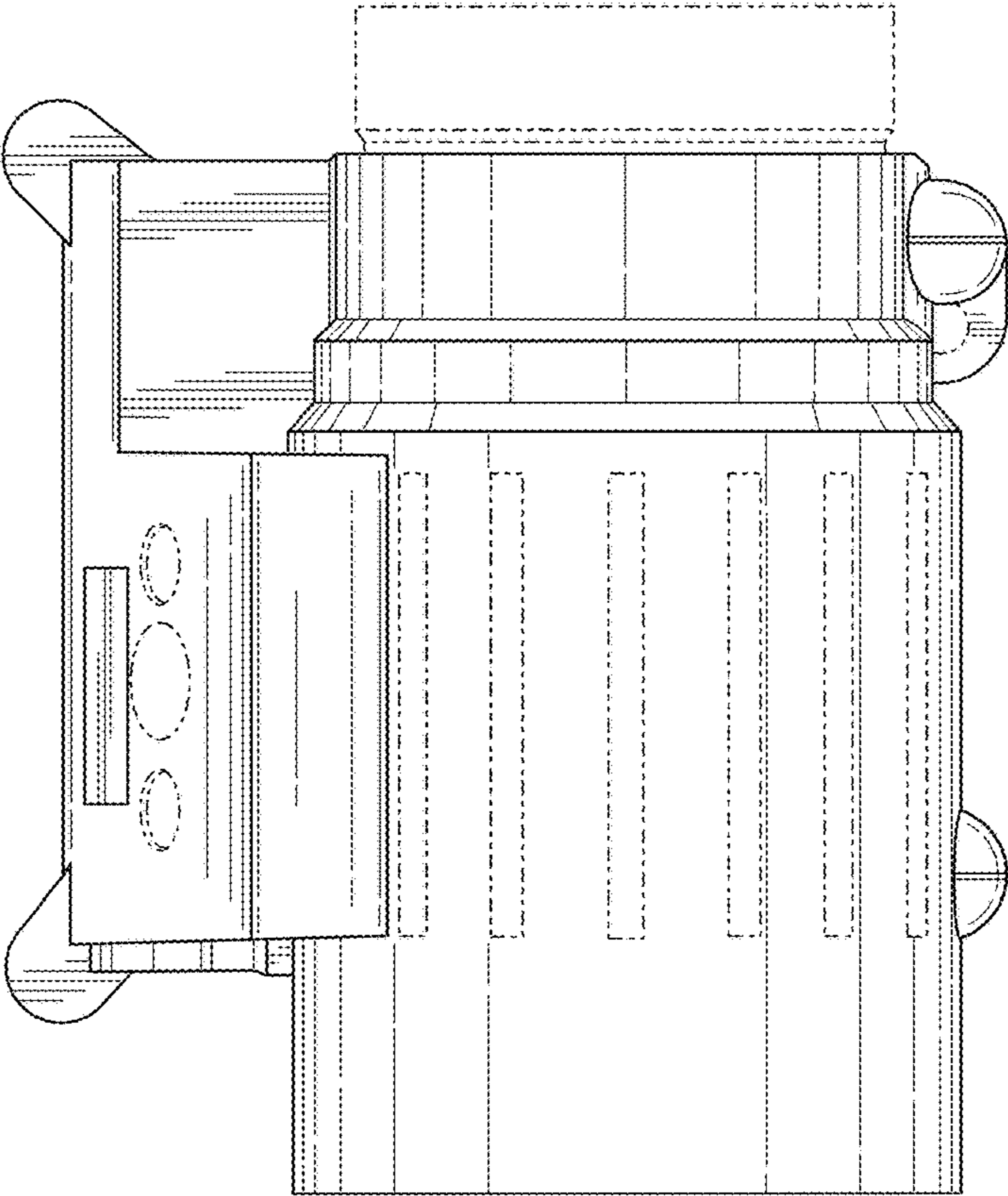


FIG. 7