



US00D868129S

(12) **United States Design Patent** (10) **Patent No.:** **US D868,129 S**
Bogart et al. (45) **Date of Patent:** **** Nov. 26, 2019**

- (54) **ROBOT STAND WITH WORK TABLE**
- (71) Applicants: **Zac Bogart**, Santa Barbara, CA (US);
John Trengove, Laguna Beach, CA (US)
- (72) Inventors: **Zac Bogart**, Santa Barbara, CA (US);
John Trengove, Laguna Beach, CA (US)
- (73) Assignee: **Productive Robotics, Inc.**, Carpinteria, CA (US)
- (**) Term: **15 Years**
- (21) Appl. No.: **29/641,373**
- (22) Filed: **Mar. 21, 2018**
- (51) **LOC (12) Cl.** **15-99**
- (52) **U.S. Cl.**
USPC **D15/199**
- (58) **Field of Classification Search**
USPC 15/122, 199; 21/578-583, 621, 622;
23/259, 262, 263
CPC A63H 3/00; B25J 9/00; B25J 9/104; B25J 9/161; B25J 9/1617; G05B 19/00; G05B 2219/33105; G05B 2219/36433; G05B 2219/39335; G05B 2219/39427; G05B 2219/40304; G06C 7/60; G06N 3/00; G06N 3/004; G06N 3/006; G06N 3/008; G06N 5/00
See application file for complete search history.

(56) **References Cited**

U.S. PATENT DOCUMENTS

- 4,636,137 A * 1/1987 Lemelson B25J 5/005
348/114
- D455,163 S * 4/2002 Kawaguchi D15/199
- 7,171,286 B2 * 1/2007 Wang G06F 19/3418
700/248

- D712,447 S * 9/2014 He D15/199
- D749,223 S * 2/2016 Vargas D24/185
- D778,218 S * 2/2017 Okazaki D12/174
- D805,568 S * 12/2017 Ke D15/199
- D815,992 S * 4/2018 Augustijn D12/130
- 9,940,604 B2 * 4/2018 Galluzzo B25J 5/007
- D819,711 S * 6/2018 Li D15/199
- 2006/0125356 A1 * 6/2006 Meek A61G 12/001
312/215
- 2011/0071677 A1 * 3/2011 Stilman B25J 5/007
700/254
- 2015/0032252 A1 * 1/2015 Galluzzo B25J 5/007
700/218
- 2016/0107317 A1 * 4/2016 Hashimoto B25J 9/042
414/744.2
- 2016/0229058 A1 * 8/2016 Pinter G06Q 50/22
- 2016/0271803 A1 * 9/2016 Stewart B25J 11/0085
- 2016/0327383 A1 * 11/2016 Becker G01B 11/005
- 2016/0332303 A1 * 11/2016 Kirihara B25J 9/1653
- 2017/0296257 A1 * 10/2017 Shelton, IV A61B 34/37
- 2018/0104829 A1 * 4/2018 Altman B25J 19/005
- 2018/0111270 A1 * 4/2018 Hasegawa B25J 9/1633

* cited by examiner

Primary Examiner — Patricia A Palasik

(74) *Attorney, Agent, or Firm* — Arthur Freilich

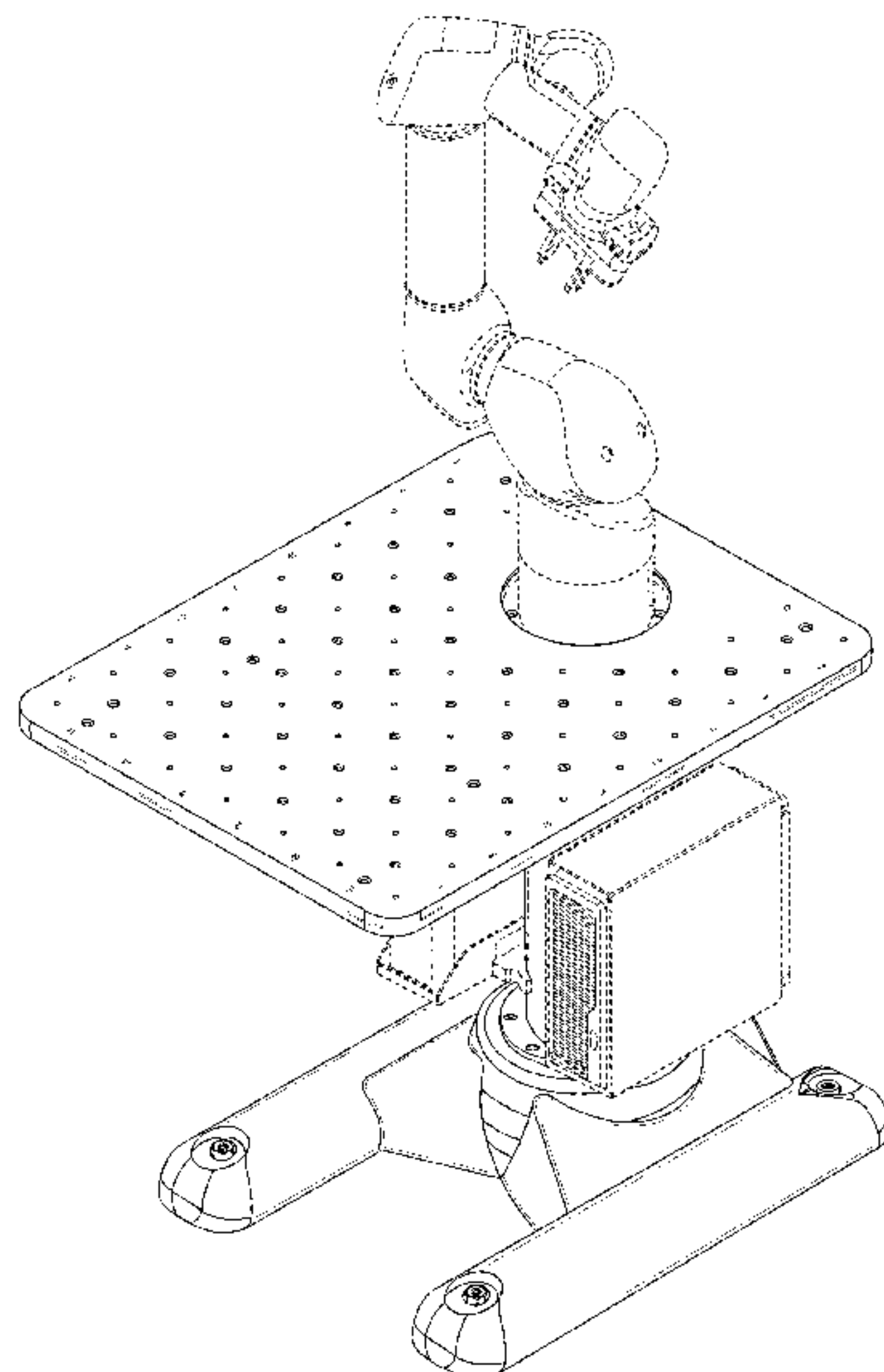
(57) **CLAIM**

The ornamental design for a robot stand with work table, as shown and described.

DESCRIPTION

FIG. 1 is a perspective view of a robot stand with work table incorporating the subject design;
 FIG. 2 is a front view of the robot stand;
 FIG. 3 is a right-side view;
 FIG. 4 is a rear view;
 FIG. 5 is a left-side view; and,
 FIG. 6 is a top view.
 The broken lines in the drawings depict portions of the robot stand which form no part of the claimed design.

1 Claim, 6 Drawing Sheets



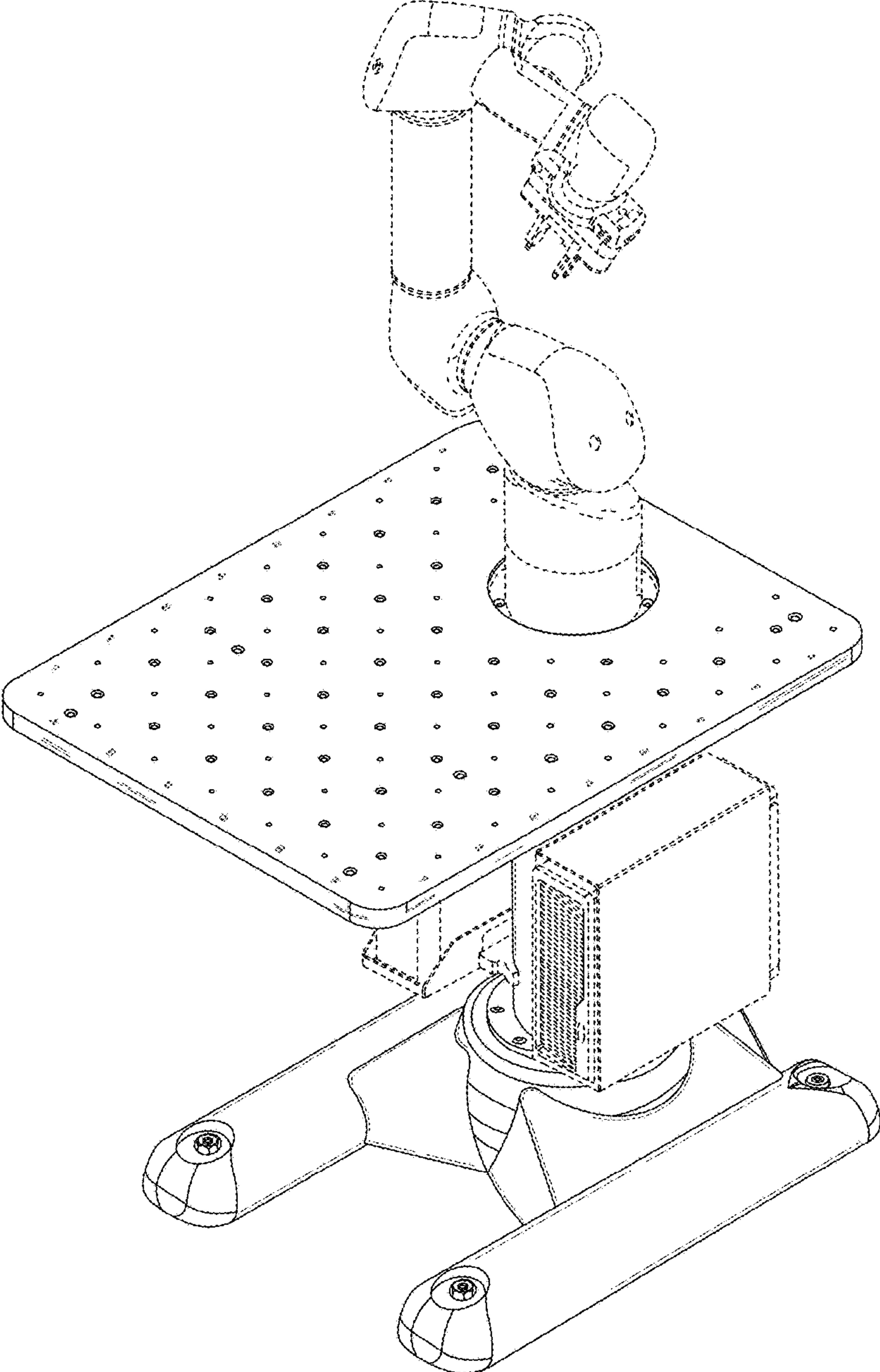


FIG. 1

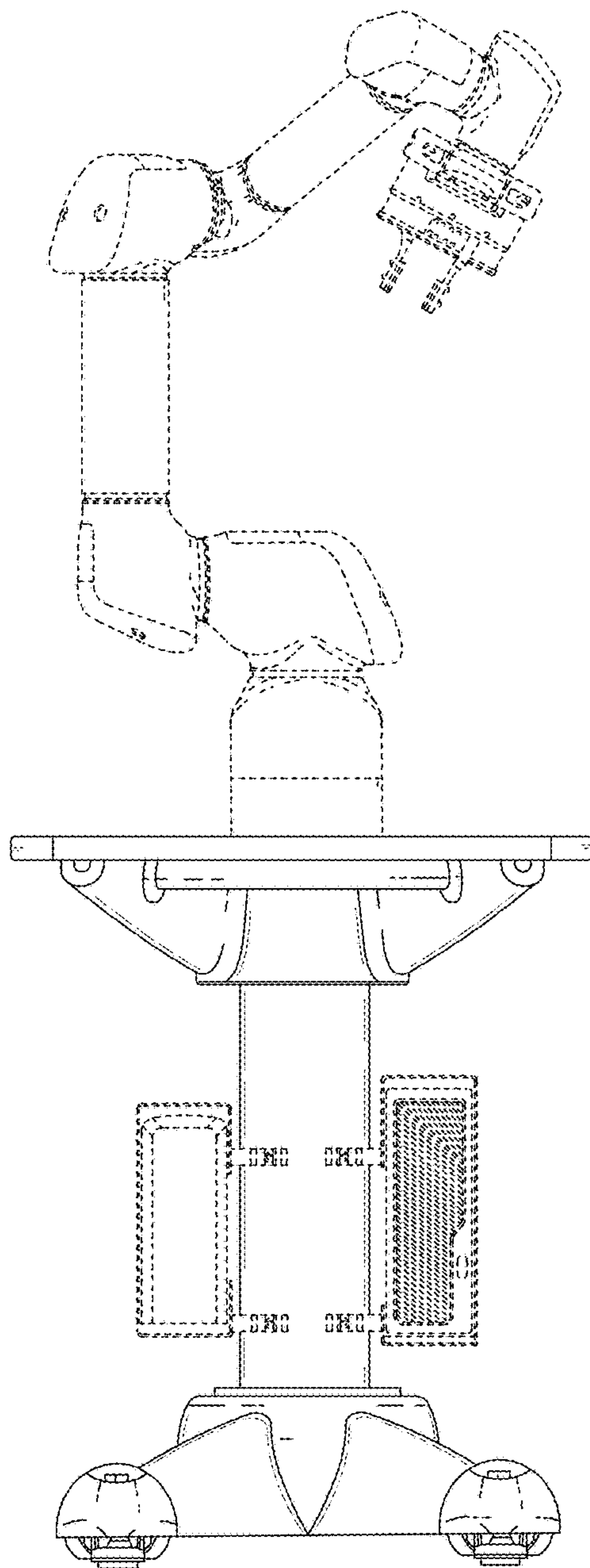


FIG. 2

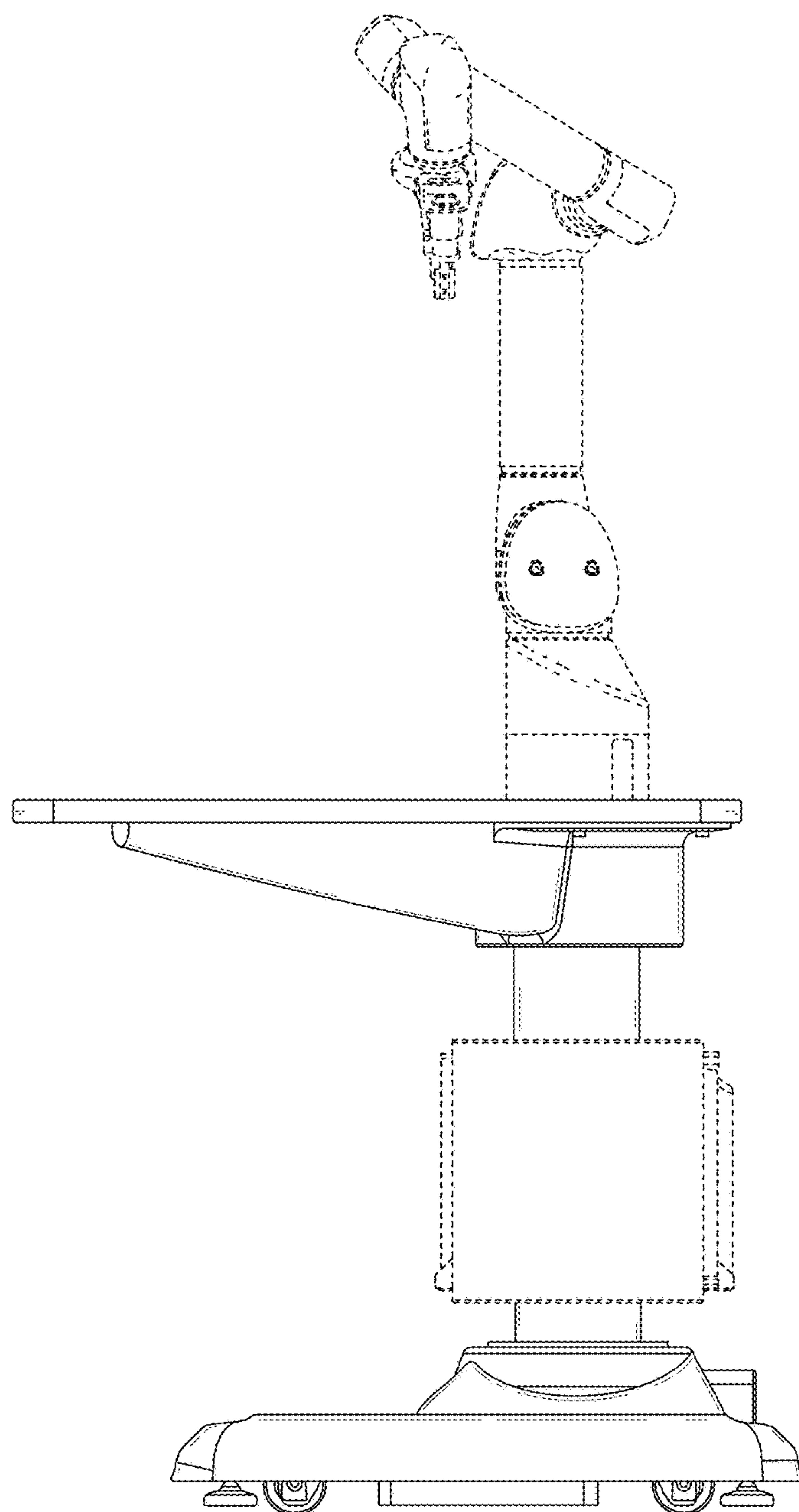


FIG. 3

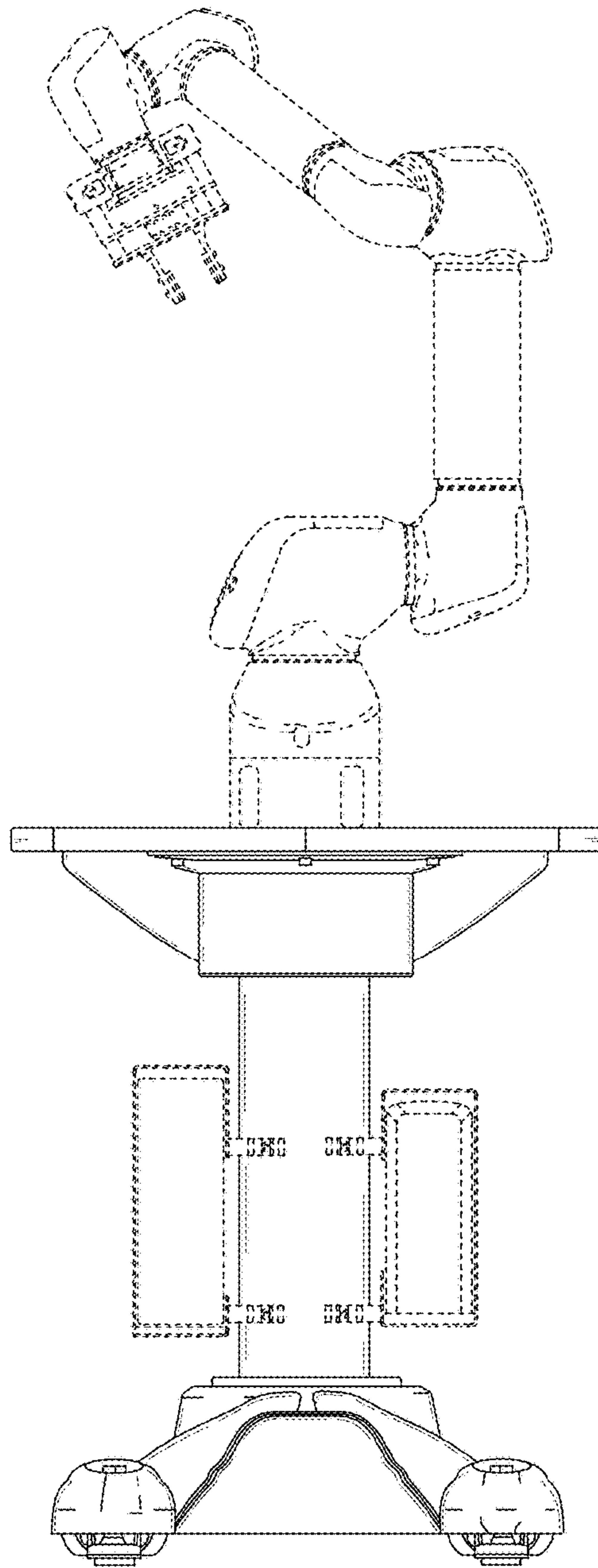


FIG. 4

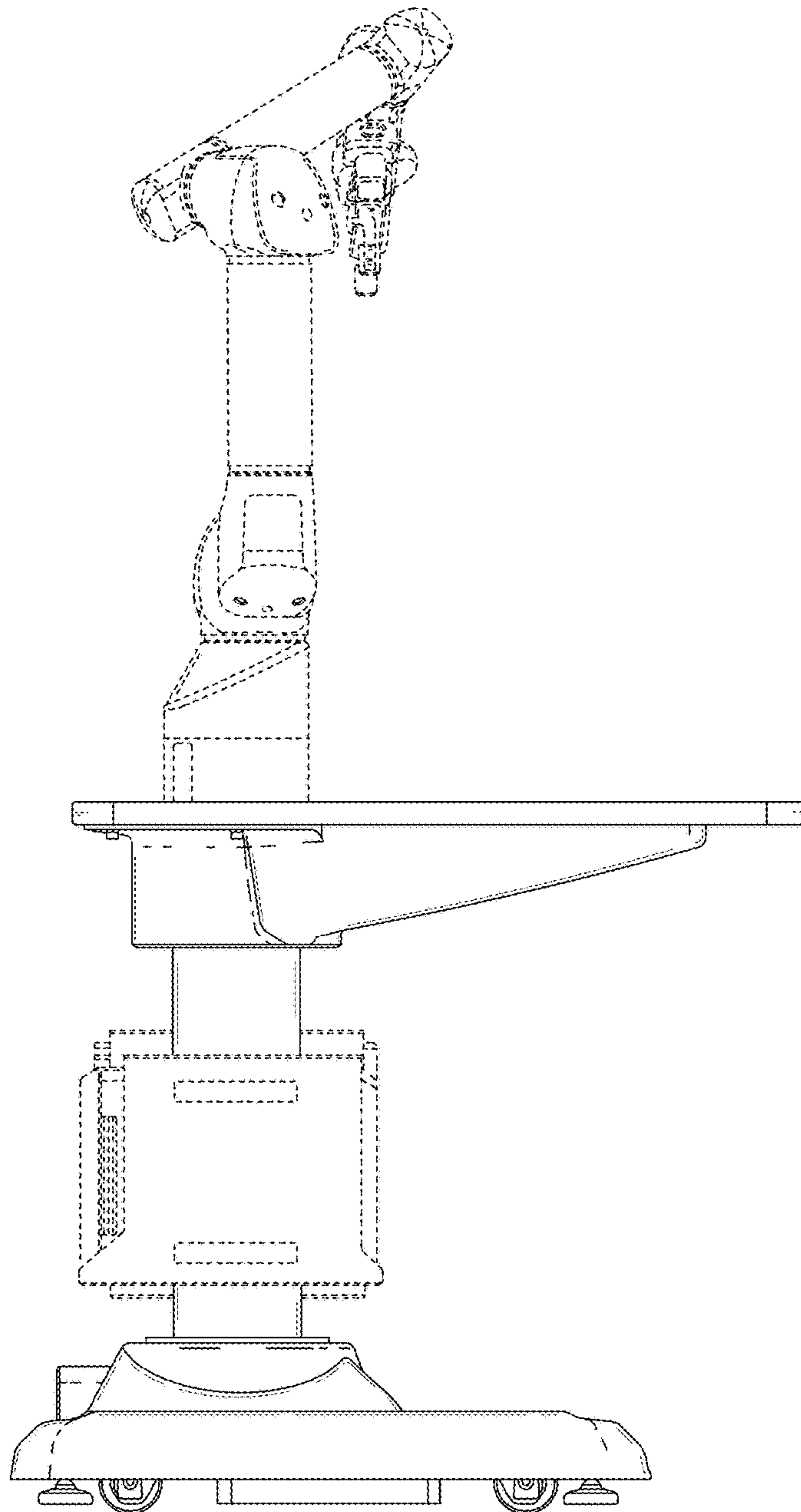


FIG. 5

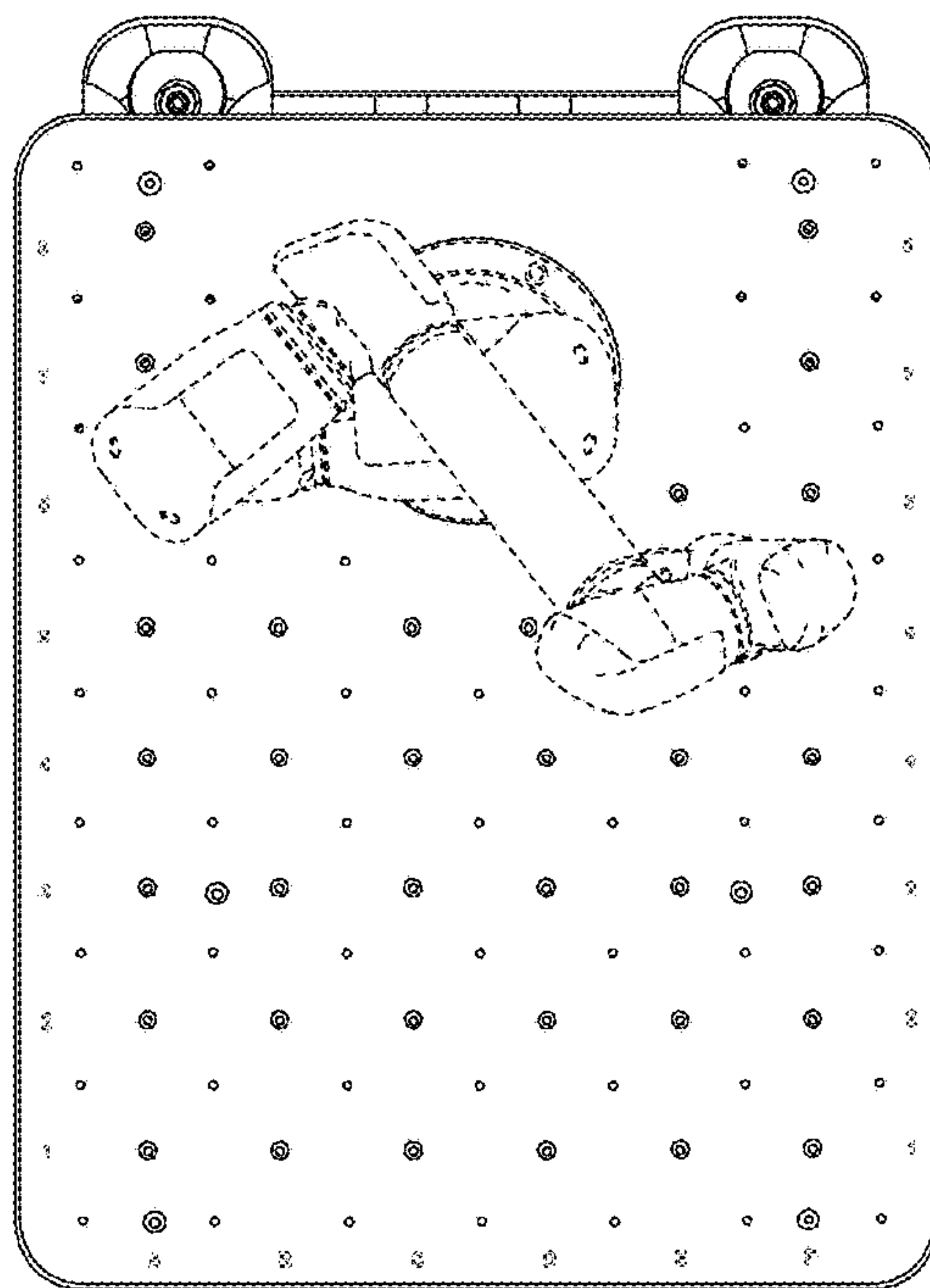


FIG. 6