



US00D868127S

(12) **United States Design Patent**
Phillips

(10) **Patent No.:** **US D868,127 S**

(45) **Date of Patent:** **** Nov. 26, 2019**

(54) **LUBRICANT PITCHER**

(71) Applicant: **Castrol Limited**, Pangbourne (GB)

(72) Inventor: **Jason Phillips**, Cincinnati, OH (US)

(73) Assignee: **Castrol Limited**, Pangbourne (GB)

(**) Term: **15 Years**

(21) Appl. No.: **29/612,190**

(22) Filed: **Jul. 29, 2017**

(30) **Foreign Application Priority Data**

Jan. 31, 2017 (EM) 003733468-0003

(51) **LOC (12) Cl.** **15-09**

(52) **U.S. Cl.**
USPC **D15/150**

(58) **Field of Classification Search**
USPC D15/144, 144.1, 144.2, 150, 151, 152
CPC B67B 7/00; B67B 7/86
See application file for complete search history.

(56) **References Cited**

U.S. PATENT DOCUMENTS

D362,462 S * 9/1995 Carlson D19/65
D366,051 S * 1/1996 Lewis D15/138
D422,914 S * 4/2000 Lasky D9/451

D433,707 S * 11/2000 Vanini D19/66
D436,376 S * 1/2001 Regan D19/66
D498,487 S * 11/2004 Iwamasa D15/152
D521,035 S * 5/2006 de Leeuw D15/144
D568,351 S * 5/2008 Giliberti D15/151
D626,779 S * 11/2010 Bell D7/317
D767,991 S * 10/2016 Sahatjian D9/521
D837,636 S * 1/2019 Wersland D8/356
2017/0307642 A1 * 10/2017 Yu G01N 35/04

* cited by examiner

Primary Examiner — Patricia A Palasik

(74) *Attorney, Agent, or Firm* — McDonnell Boehnen
Hulbert & Berghoff LLP

(57) **CLAIM**

The ornamental design for a lubricant pitcher, as shown and described.

DESCRIPTION

FIG. 1 is a perspective view of a lubricant pitcher showing my new design;

FIG. 2 is a front view thereof;

FIG. 3 is a rear view thereof;

FIG. 4 is a left side view thereof;

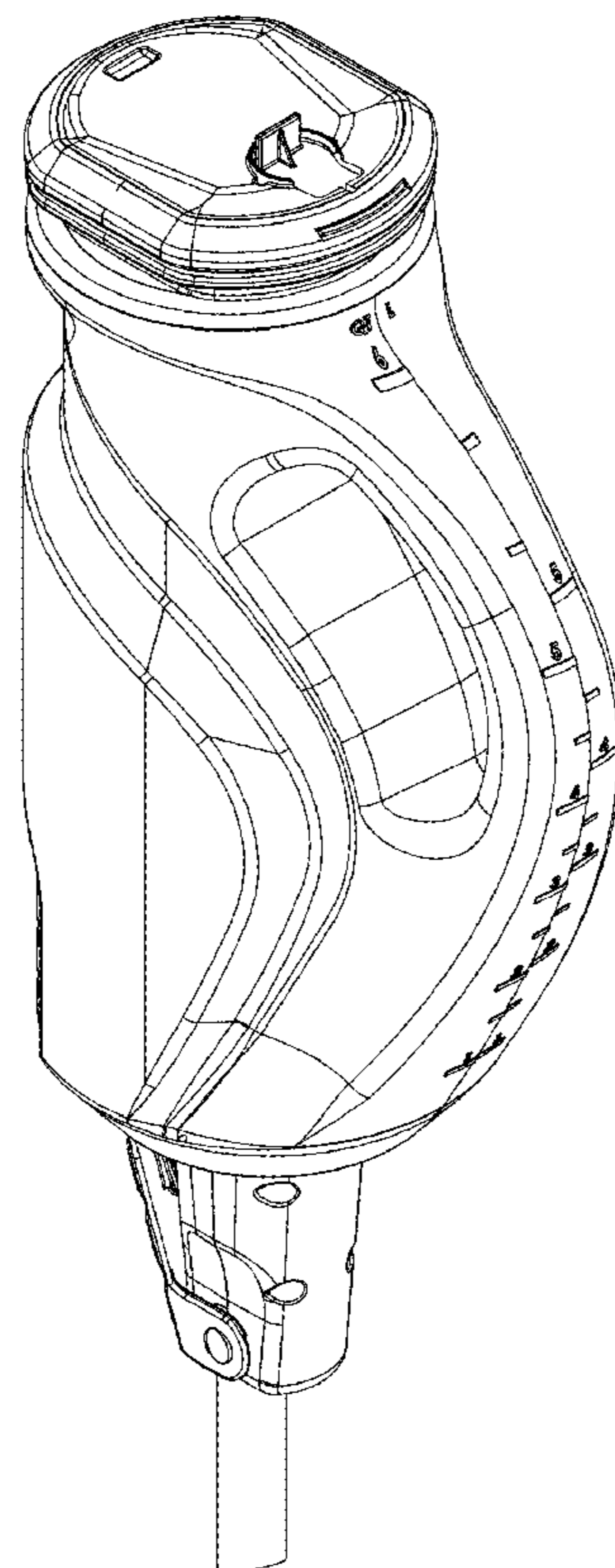
FIG. 5 is a right side view thereof;

FIG. 6 is a top view thereof; and,

FIG. 7 is a bottom view thereof.

The broken lines in the drawings illustrate portions of the lubricant pitcher that form no part of the claimed design.

1 Claim, 7 Drawing Sheets



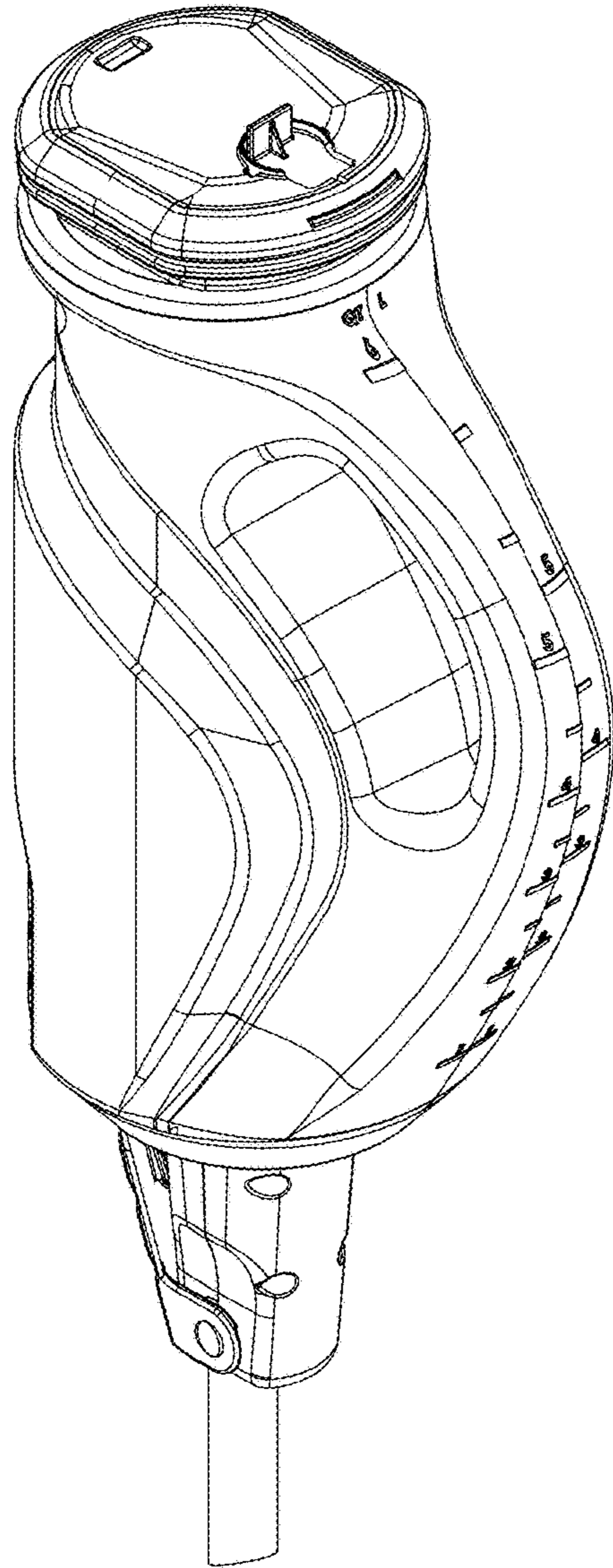


FIG. 1

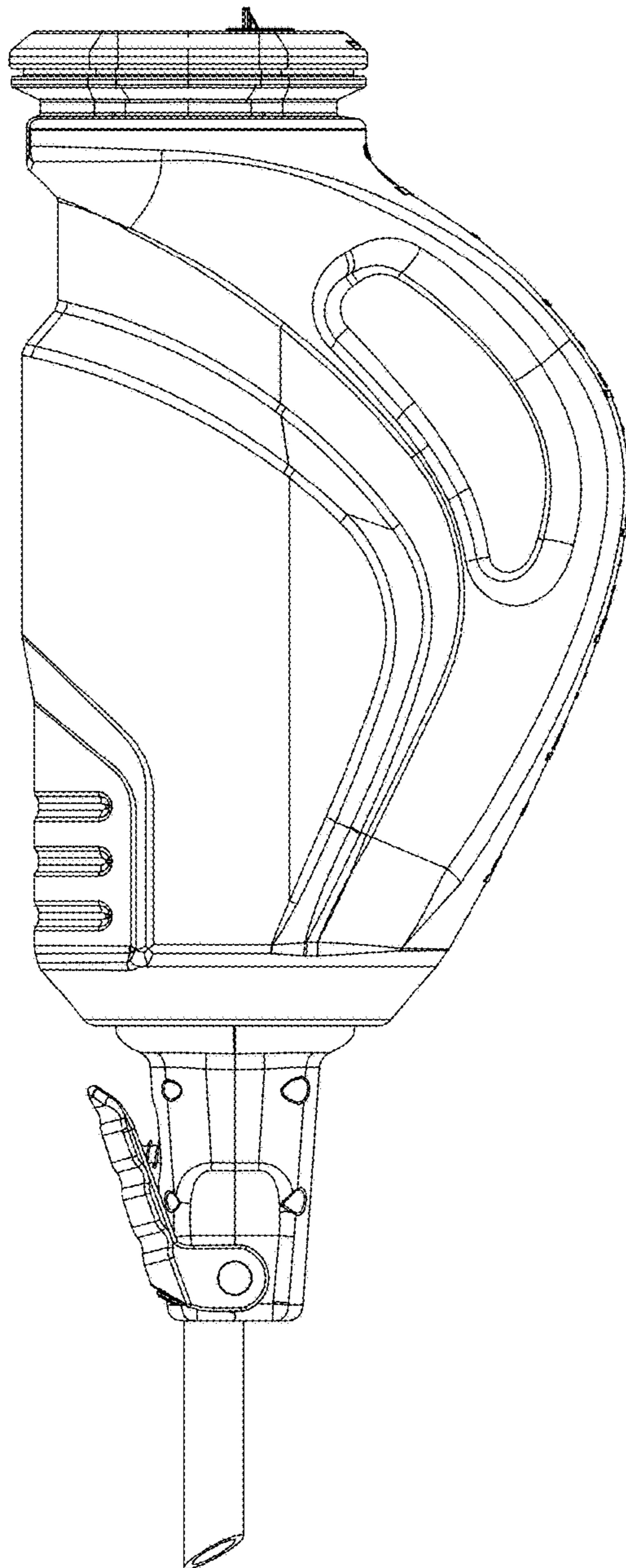


FIG. 2

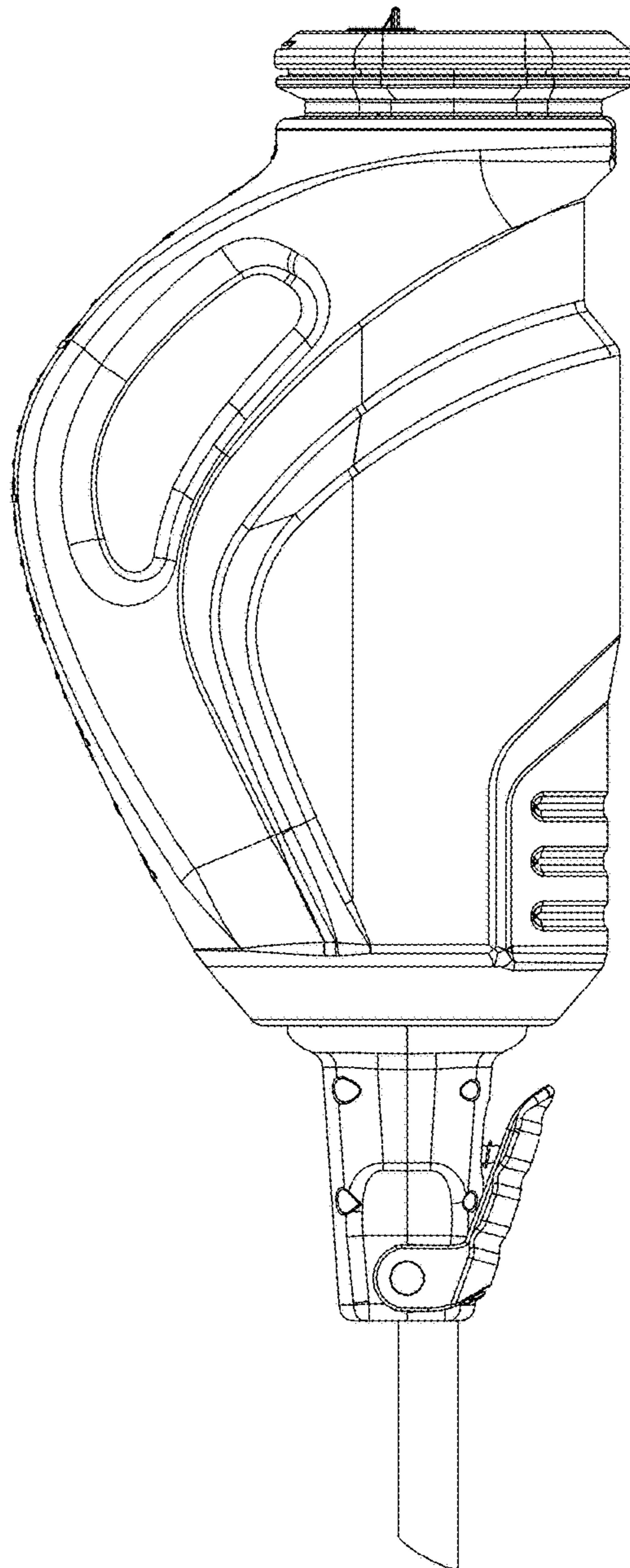


FIG. 3

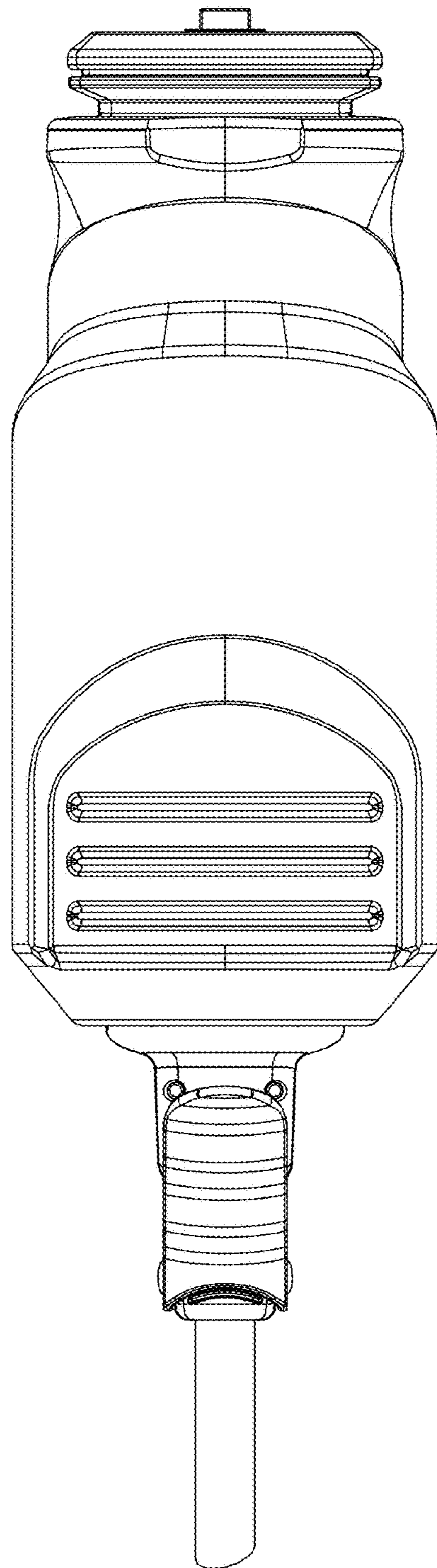


FIG. 4

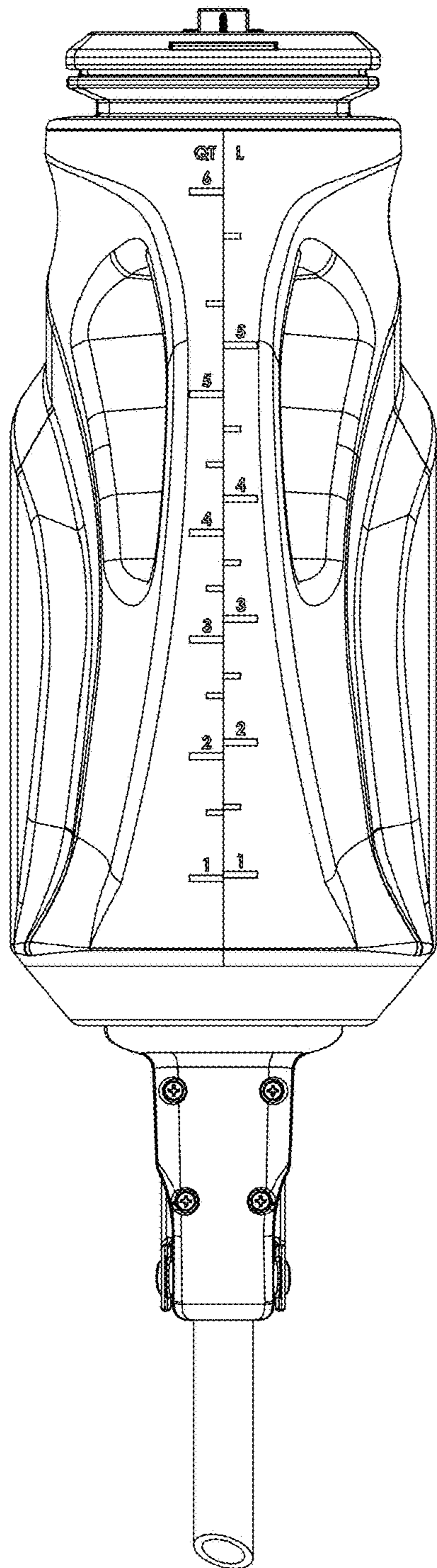


FIG. 5

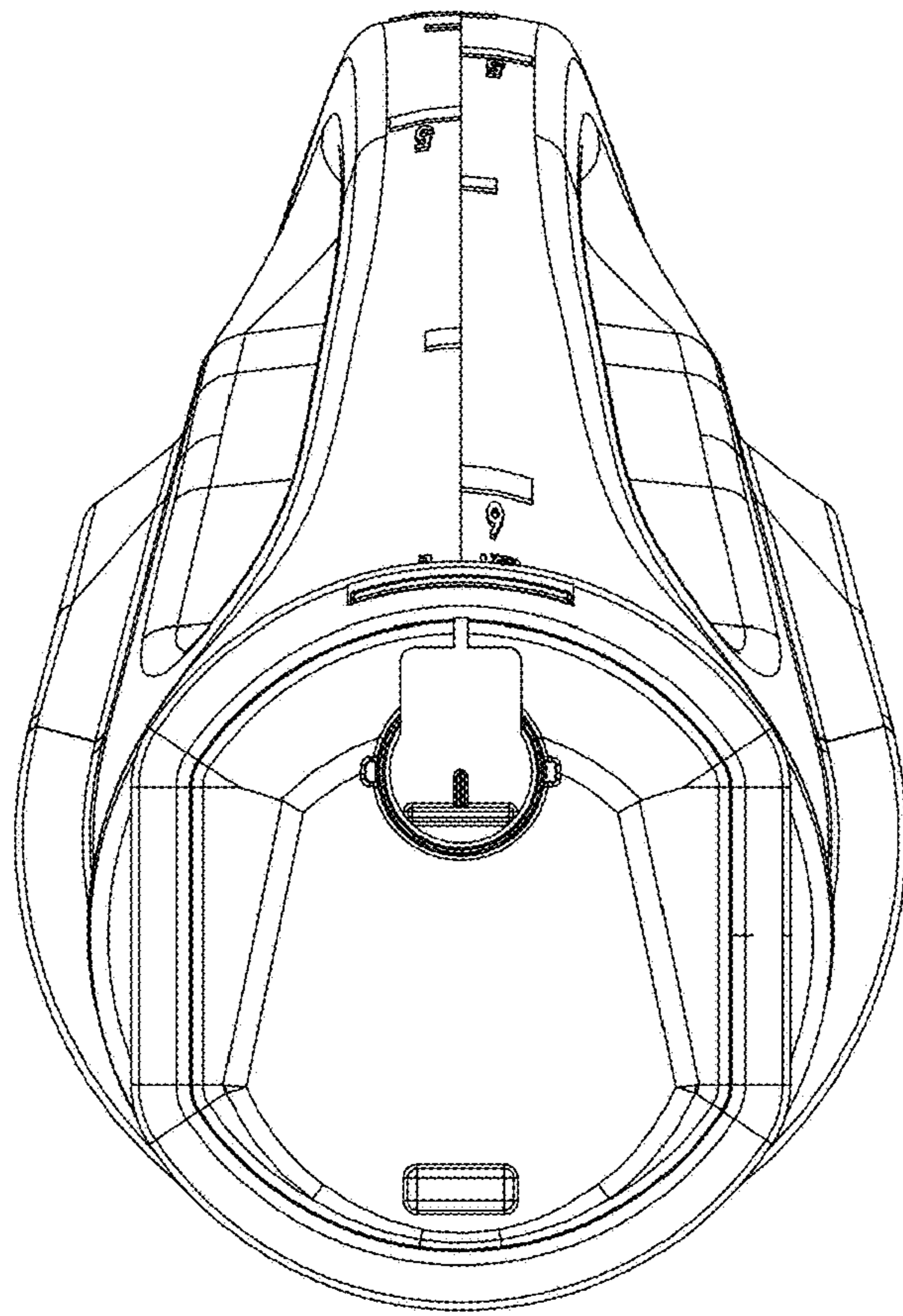


FIG. 6

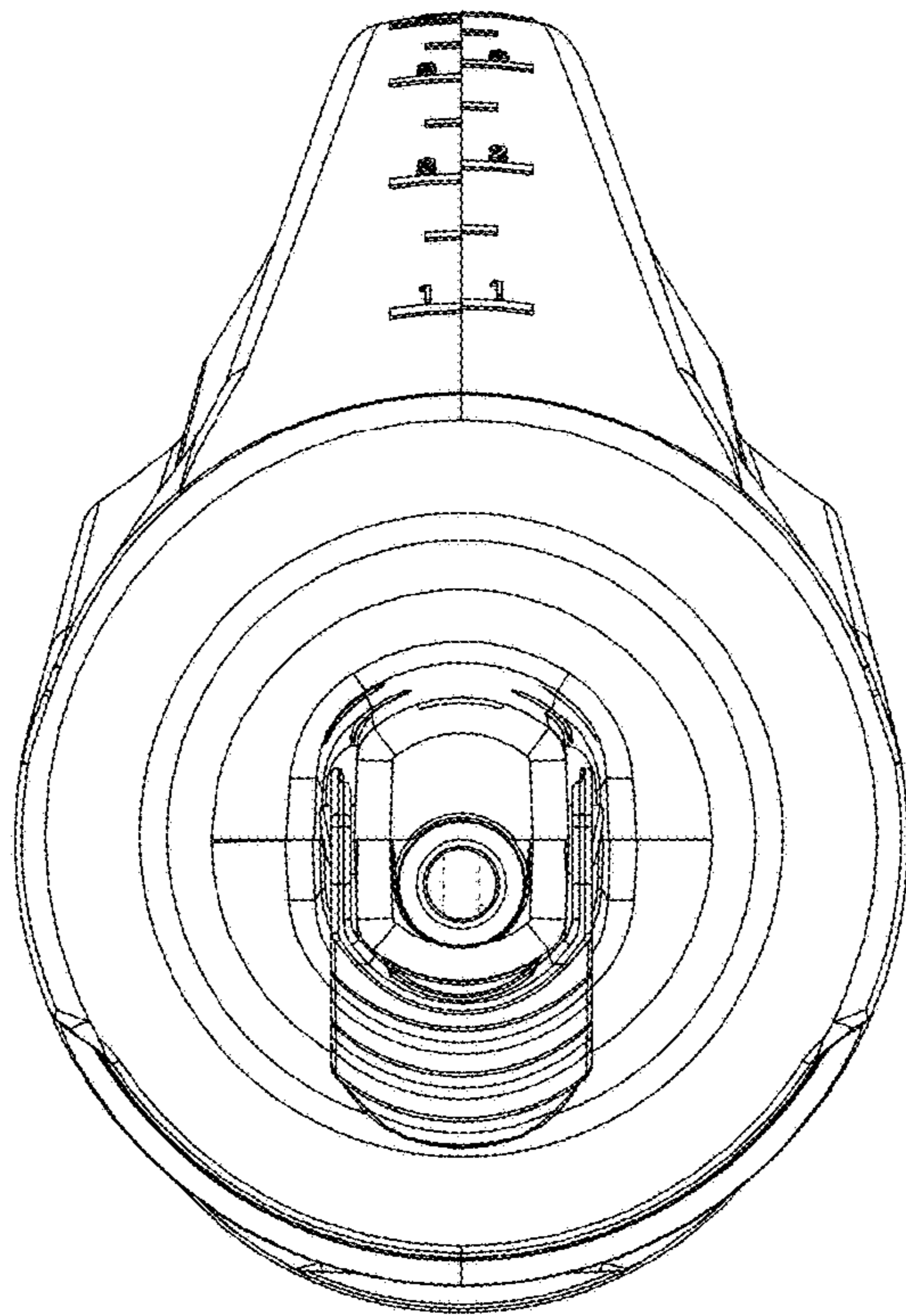


FIG. 7