



US00D868126S

(12) **United States Design Patent**
Shu et al.

(10) **Patent No.:** **US D868,126 S**

(45) **Date of Patent:** **** Nov. 26, 2019**

(54) **WELDING MACHINE**

(71) Applicant: **SHANGHAI HUGONG ELECTRIC (GROUP) CO., LTD.**, Shanghai (CN)

(72) Inventors: **Zhenyu Shu**, Shanghai (CN); **Zhiqiang Li**, Shanghai (CN)

(73) Assignee: **SHANGHAI HUGONG ELECTRIC (GROUP) CO., LTD.**, Shanghai (CN)

(**) Term: **15 Years**

(21) Appl. No.: **29/633,140**

(22) Filed: **Jan. 12, 2018**

(51) **LOC (12) Cl.** **15-09**

(52) **U.S. Cl.**
USPC **D15/144**

(58) **Field of Classification Search**
USPC D8/29.1, 30; D13/101, 109, 110, 112, D13/116, 122, 123, 133, 144, 184; D15/144, 144.1, 144.2, 145, 146
CPC ... B23K 9/00; B29C 65/1432; B29C 65/1467; B29C 65/4815; B29C 65/5042; B29C 65/5092; B26C 66/1142; B26C 66/43; B26C 66/435; B26C 66/73185; B26C 66/73921

See application file for complete search history.

(56) **References Cited**

U.S. PATENT DOCUMENTS

D243,459 S *	2/1977	Bliss	D15/144
D309,597 S *	7/1990	Higuchi	D13/116
D357,927 S *	5/1995	Soderholm	D15/144.1
D416,030 S *	11/1999	Weller	D15/144.1
6,046,664 A *	4/2000	Weller	B23K 9/1006 336/182
D488,442 S *	4/2004	Fan	D13/112
D518,078 S *	3/2006	Persson	D15/144.1
D520,038 S *	5/2006	Ljungfeldt	D15/144.1

D620,886 S *	8/2010	Flattinger	D13/110
D626,576 S *	11/2010	Gramatyka	D15/144
D630,581 S *	1/2011	Xu	D13/116
D654,519 S *	2/2012	Wujczak	D15/144
D665,833 S *	8/2012	Raymond	D15/144
D679,738 S *	4/2013	Segala	D15/144
D682,646 S *	5/2013	Knopp	D8/61
D710,301 S *	8/2014	Ferro	D13/116
D711,319 S *	8/2014	Wilcox	D13/116
D744,019 S *	11/2015	Evans	D15/144
D754,626 S *	4/2016	Evans	D15/144
D762,165 S *	7/2016	Rowe	D13/103
D768,625 S *	10/2016	Lucaci	D14/349
D775,250 S *	12/2016	Snead	D15/144
D777,216 S *	1/2017	Allemeier	D15/28
D779,454 S *	2/2017	Crescenze	D14/144
D793,338 S *	8/2017	Zheng	D13/102
D810,161 S *	2/2018	Snead	D15/144
D811,456 S *	2/2018	Dekker	D15/144

(Continued)

Primary Examiner — Garth Rademaker

Assistant Examiner — Fitzgerald L Butac

(74) *Attorney, Agent, or Firm* — Nixon & Vanderhye P.C.

(57) **CLAIM**

The ornamental design for a welding machine, as shown and described.

DESCRIPTION

FIG. 1 is a perspective view of the design for the welding machine;

FIG. 2 is a front view thereof;

FIG. 3 is a rear view thereof;

FIG. 4 is a left view thereof;

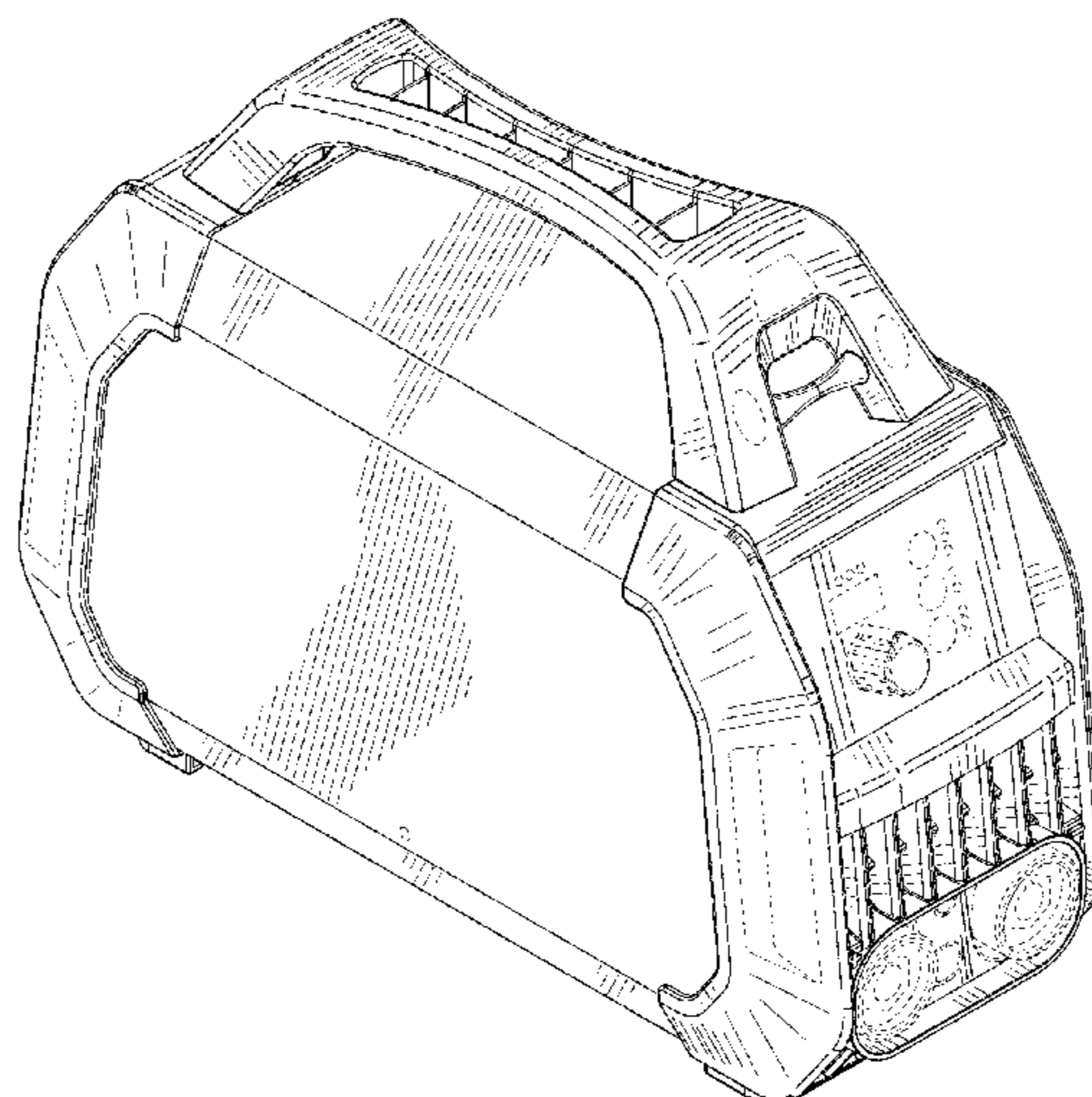
FIG. 5 is a right view thereof;

FIG. 6 is a top view thereof; and,

FIG. 7 is a bottom view thereof.

The broken lines are for the purposes of illustrating portions of the welding machine and form no part of the claimed design.

1 Claim, 7 Drawing Sheets



(56)

References Cited

U.S. PATENT DOCUMENTS

D812,119	S	*	3/2018	Dekker	D15/144
D813,161	S	*	3/2018	Ortakales	D13/110
D815,039	S	*	4/2018	Wen	D13/110
D820,332	S	*	6/2018	Brusky	D15/144
D821,463	S	*	6/2018	Lin	D15/144
D821,465	S	*	6/2018	Lin	D15/144
D821,466	S	*	6/2018	Lin	D15/144
D823,797	S	*	7/2018	Krantz	D13/110
D827,687	S	*	9/2018	Lin	D15/144
D827,688	S	*	9/2018	Lin	D15/144
D829,788	S	*	10/2018	Lin	D15/144

* cited by examiner

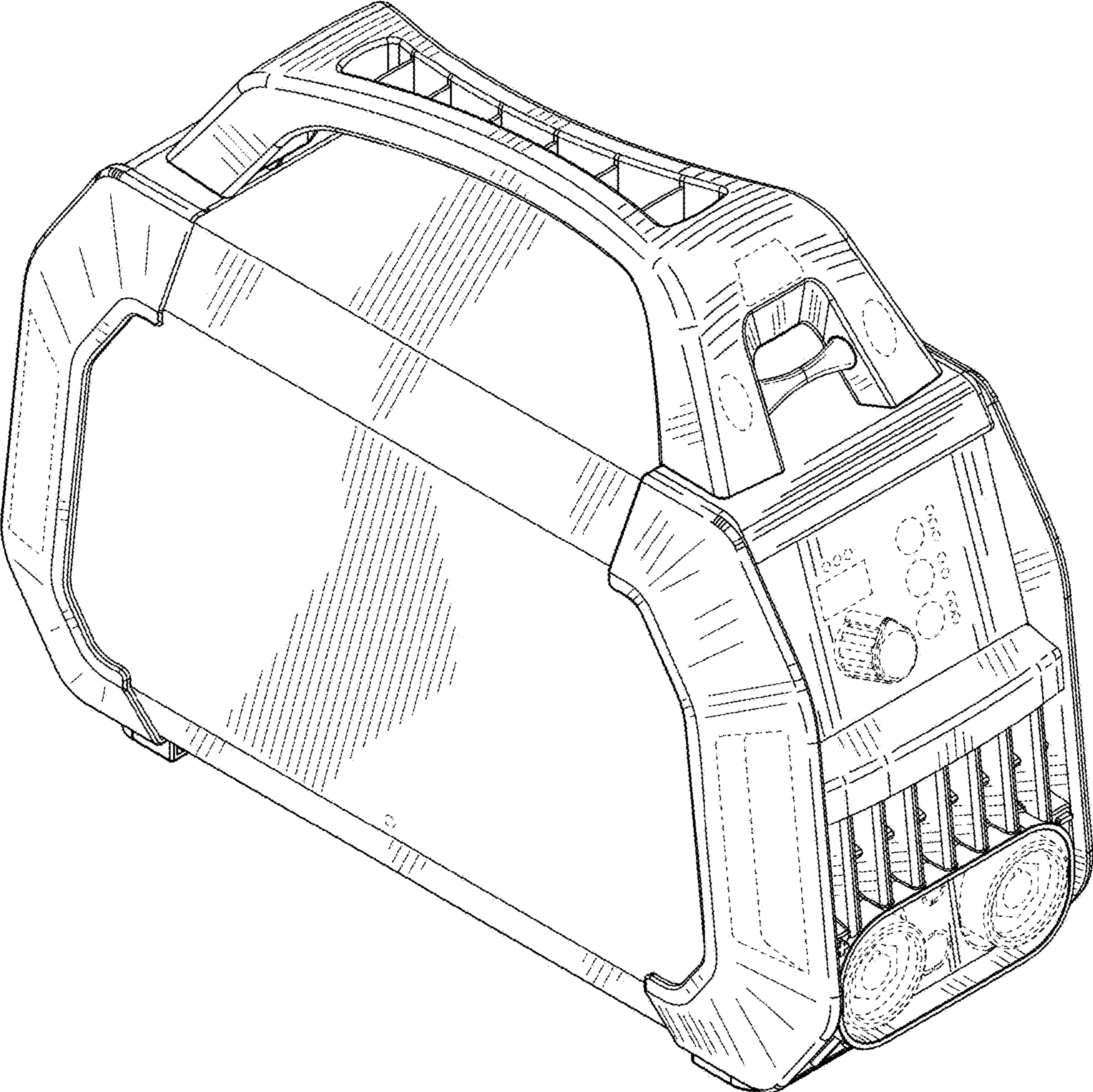


Fig. 1

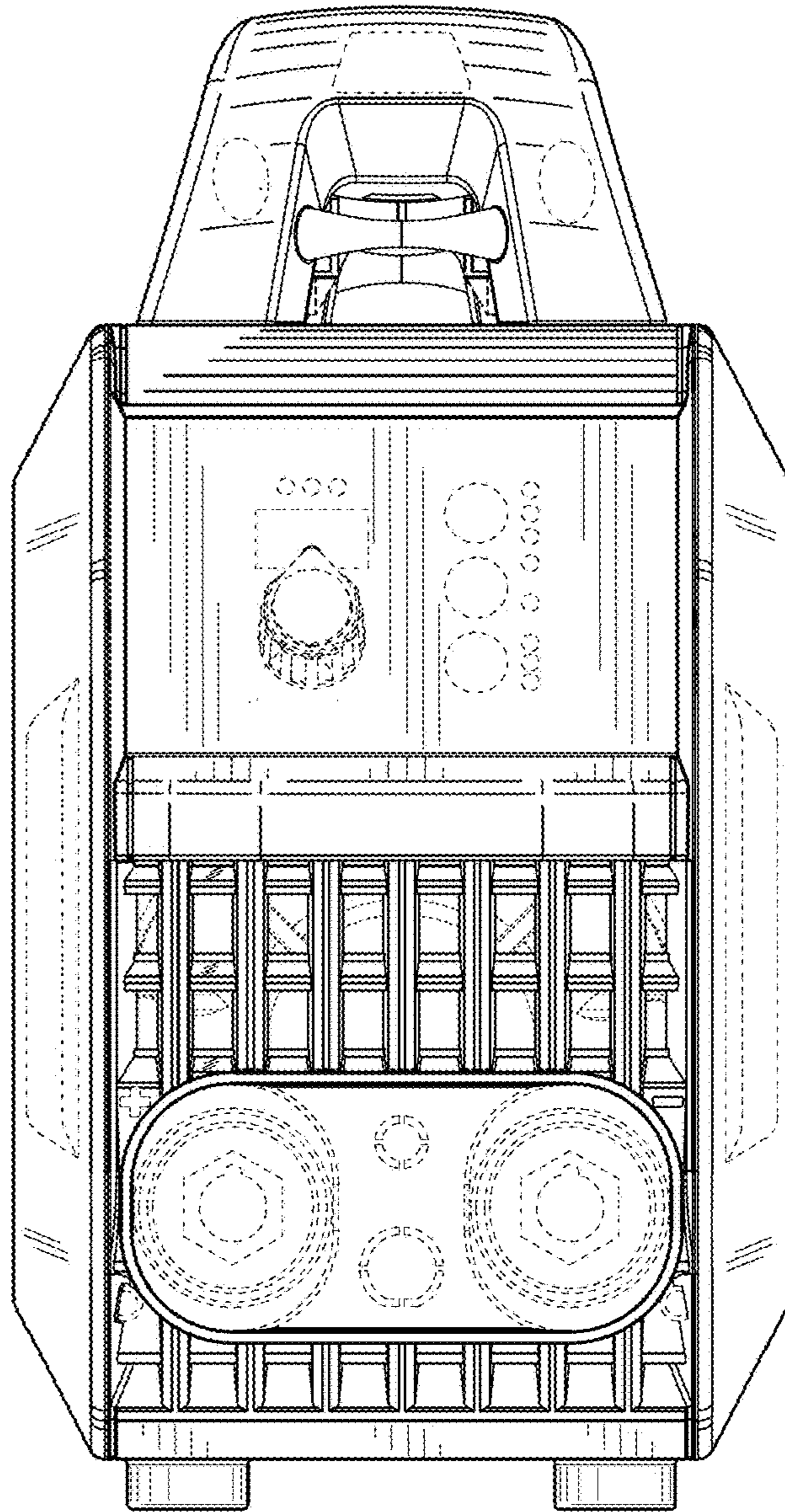


Fig. 2

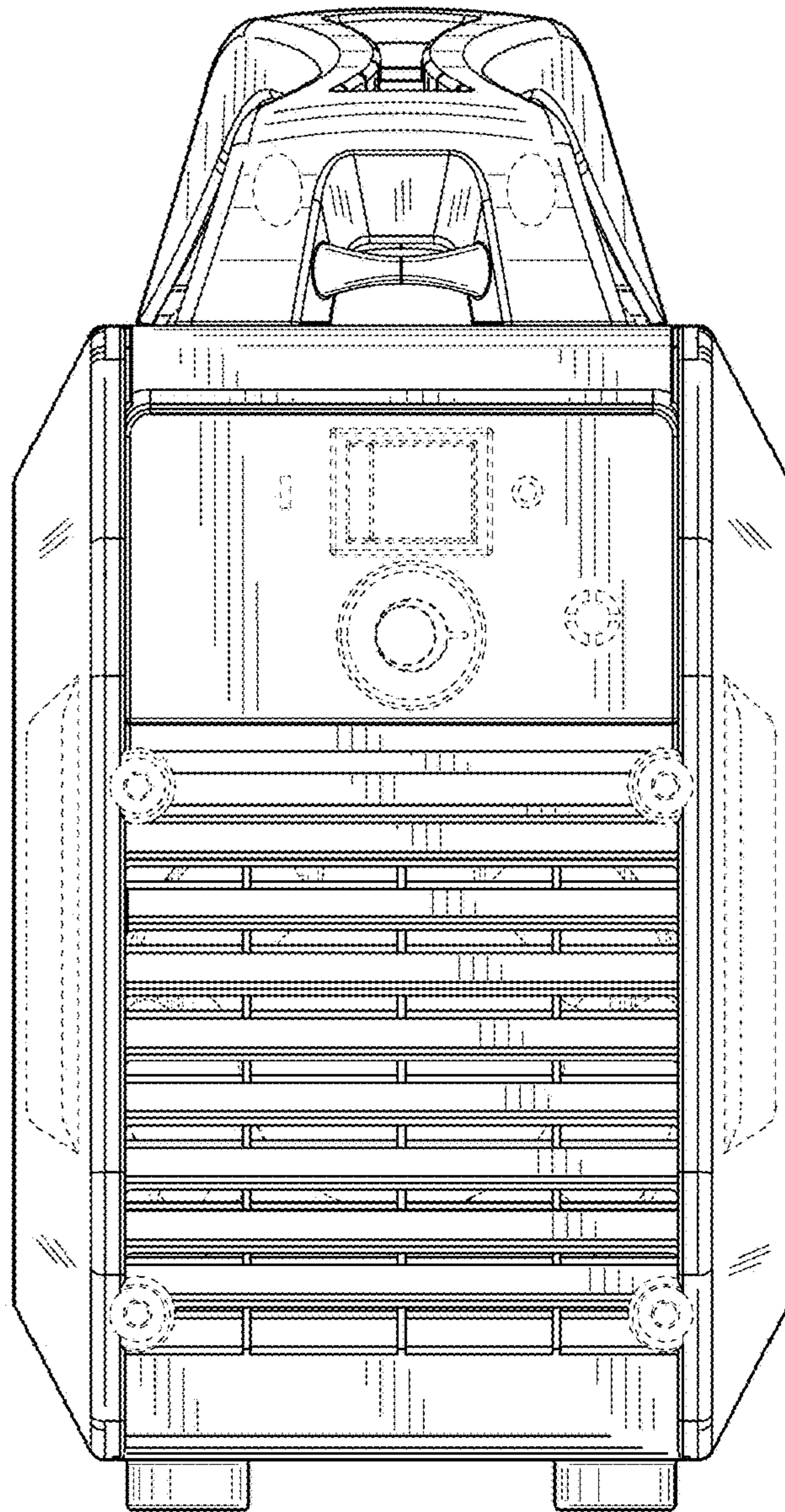


Fig. 3

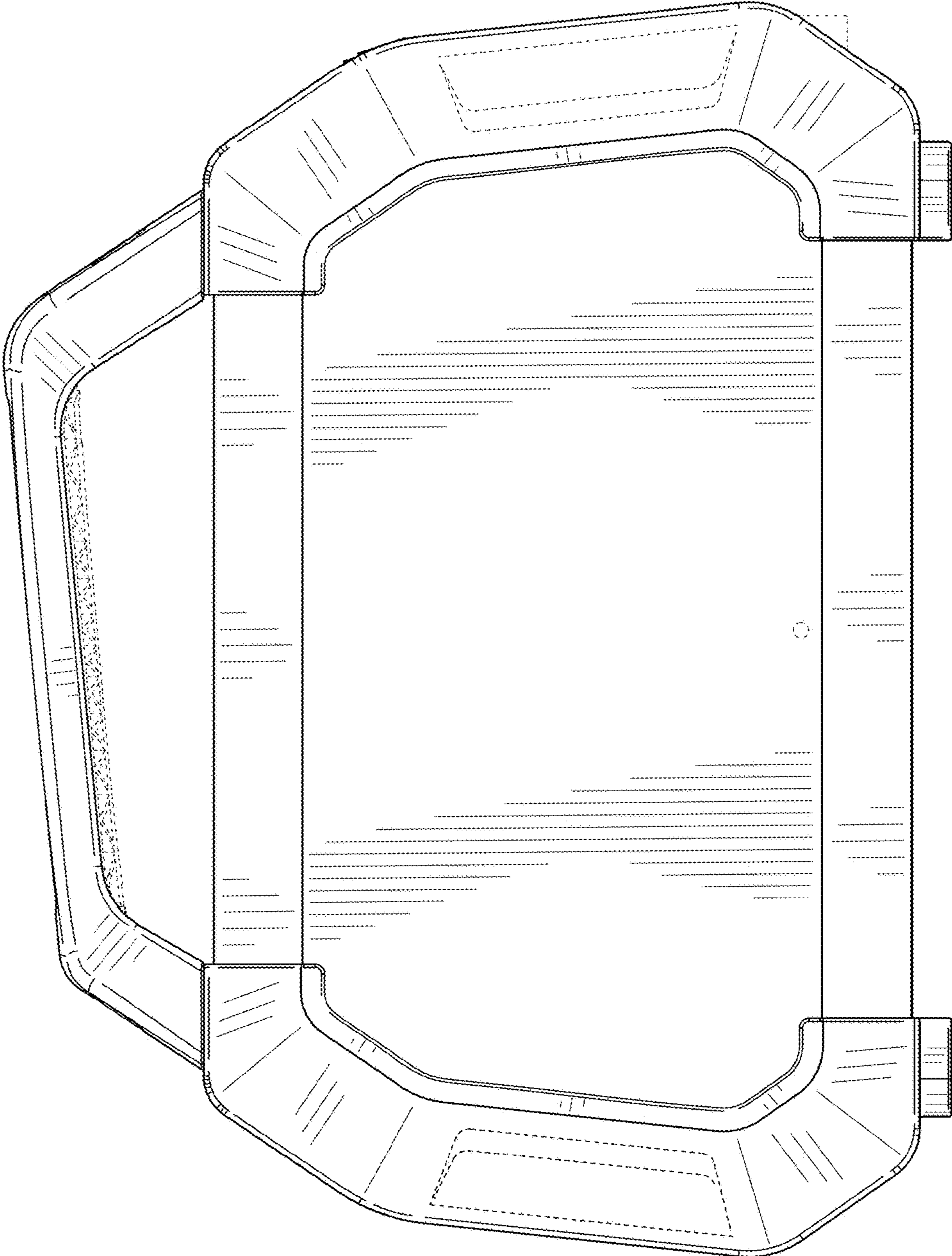


Fig. 4

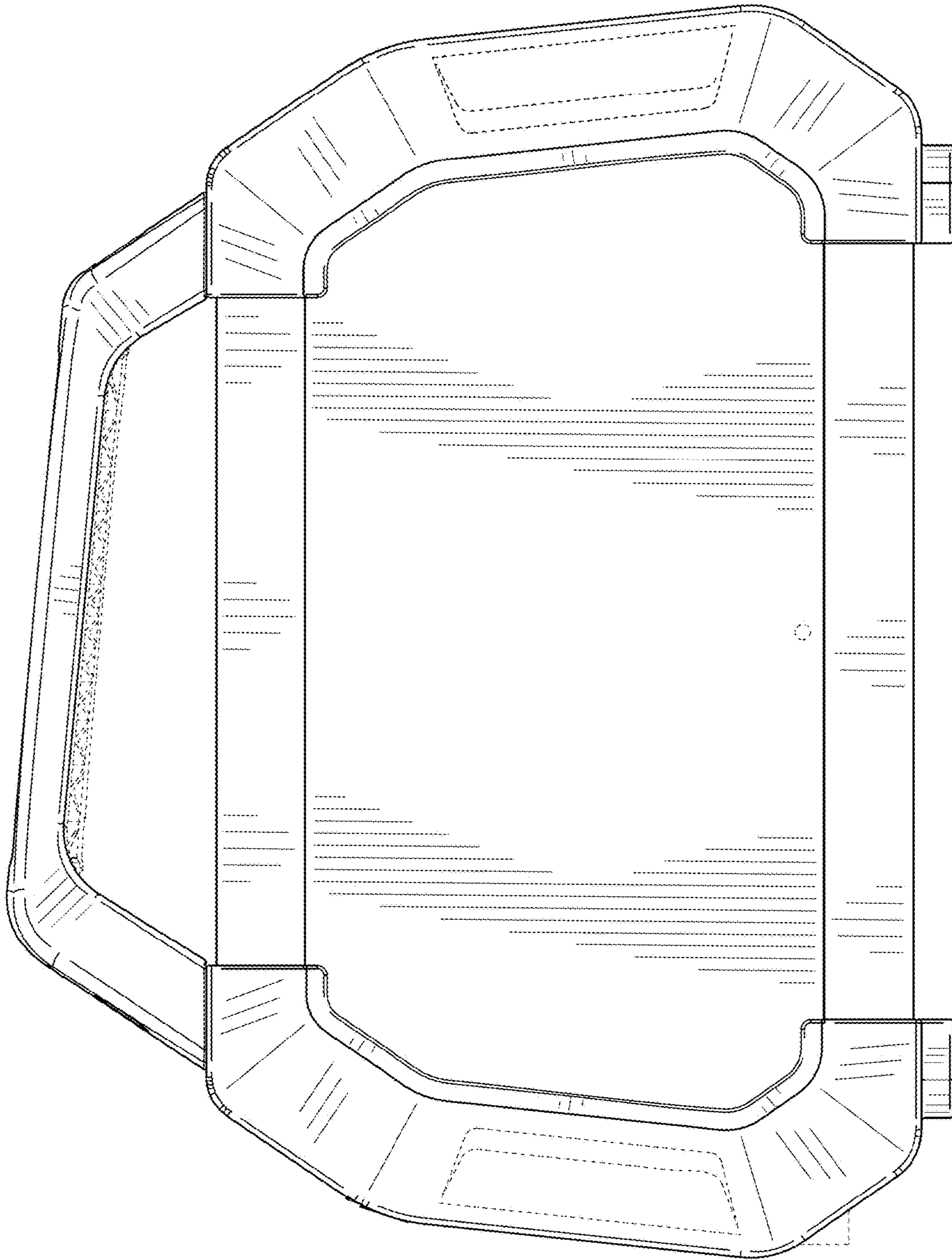


Fig. 5

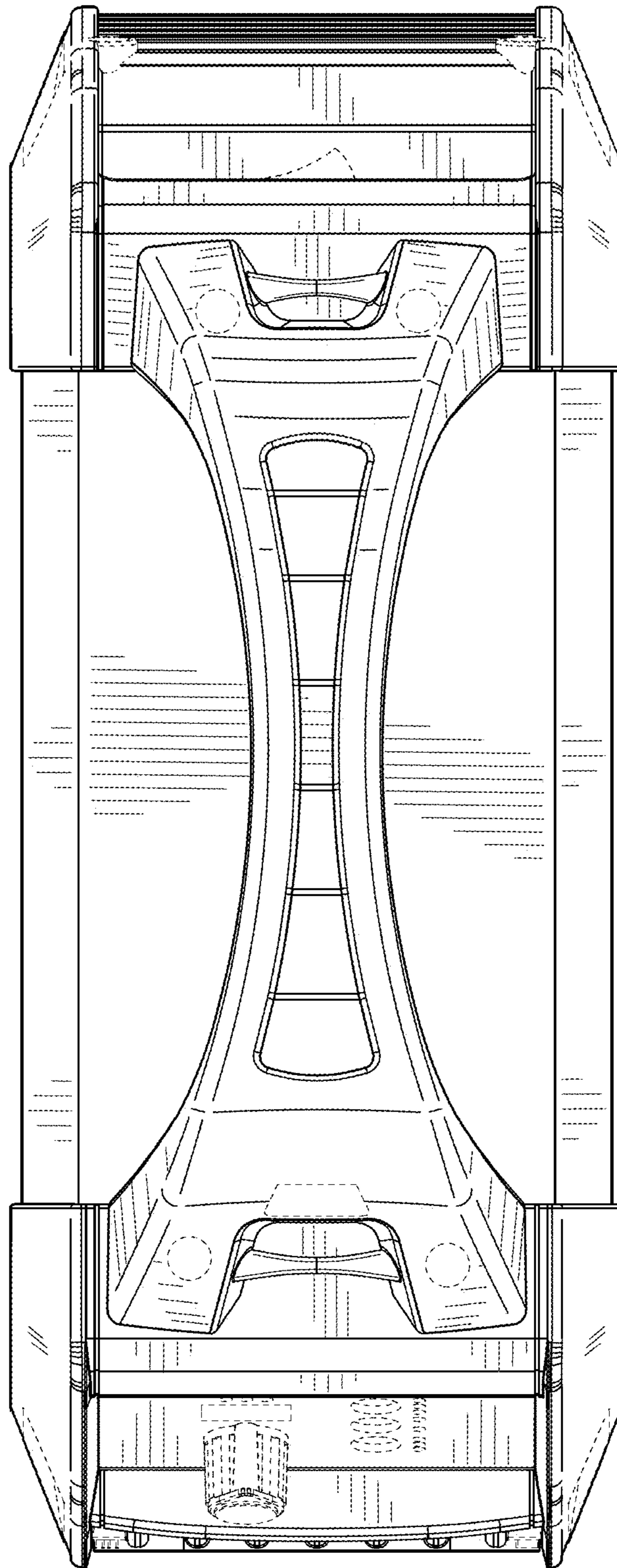


Fig. 6

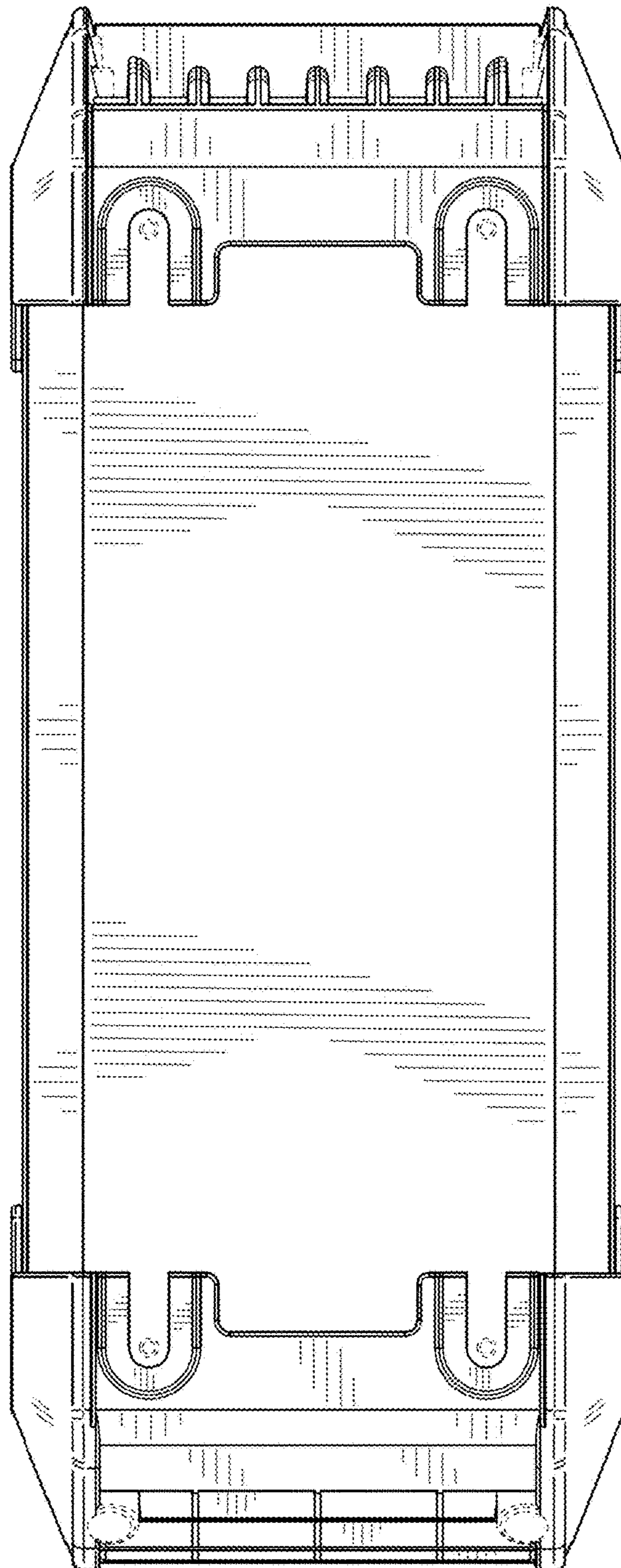


Fig. 7