

US00D868125S

(12) **United States Design Patent**  
**Shu et al.**

(10) **Patent No.:** **US D868,125 S**

(45) **Date of Patent:** **\*\* Nov. 26, 2019**

(54) **WIRE FEEDER**

(71) Applicant: **SHANGHAI HUGONG ELECTRIC (GROUP) CO., LTD.**, Shanghai (CN)

(72) Inventors: **Zhenyu Shu**, Shanghai (CN); **Zhiqiang Li**, Shanghai (CN)

(73) Assignee: **SHANGHAI HUGONG ELECTRIC (GROUP) CO., LTD.**, Shanghai (CN)

(\*\*) Term: **15 Years**

(21) Appl. No.: **29/633,139**

(22) Filed: **Jan. 12, 2018**

(51) **LOC (12) Cl.** ..... **15-09**

(52) **U.S. Cl.**  
USPC ..... **D15/144**

(58) **Field of Classification Search**  
USPC ..... D8/30, 36, 61-69; D15/144, 144.1, D15/144.2

CPC ..... B23K 9/10; B23K 9/1006; B23K 9/12; B23K 9/124; B23K 9/16; B23K 9/167; B23K 9/173; B23K 9/32

See application file for complete search history.

(56) **References Cited**

**U.S. PATENT DOCUMENTS**

D569,883 S \* 5/2008 Wang ..... D15/144  
D569,884 S \* 5/2008 Shu ..... D15/144

D623,205 S \* 9/2010 Flattinger ..... D15/144  
D653,271 S \* 1/2012 Kindig ..... D15/144  
D660,120 S \* 5/2012 Tajik ..... D8/65  
D669,329 S \* 10/2012 Tinius ..... D8/65  
D763,051 S \* 8/2016 Tinius ..... D8/65  
D777,231 S \* 1/2017 Ide ..... D15/144  
D778,331 S \* 2/2017 Ide ..... D15/144  
D824,439 S \* 7/2018 Ide ..... D15/144  
D829,789 S \* 10/2018 Inoue ..... D15/144

\* cited by examiner

*Primary Examiner* — Garth Rademaker

*Assistant Examiner* — Fritzgerald L Butac

(74) *Attorney, Agent, or Firm* — Nixon & Vanderhye P.C.

(57) **CLAIM**

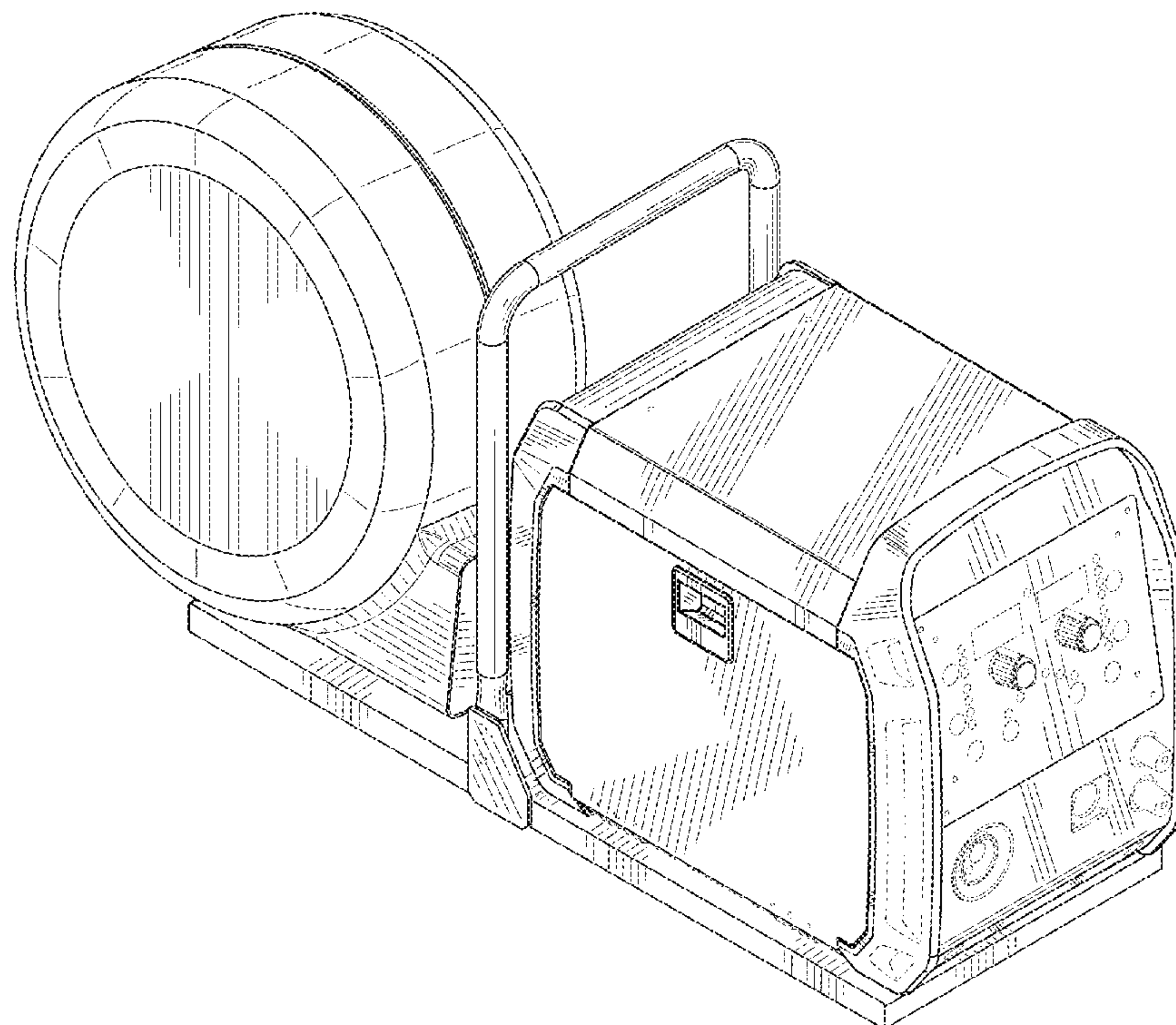
The ornamental design for a wire feeder, as shown and described.

**DESCRIPTION**

FIG. 1 is a perspective view of the design for the wire feeder; FIG. 2 is a front view thereof; FIG. 3 is a rear view thereof; FIG. 4 is a left view thereof; FIG. 5 is a right view thereof; FIG. 6 is a top view thereof; and, FIG. 7 is a bottom view thereof.

The broken lines are for the purposes of illustrating portions of the wire feeder and form no part of the claimed design.

**1 Claim, 7 Drawing Sheets**



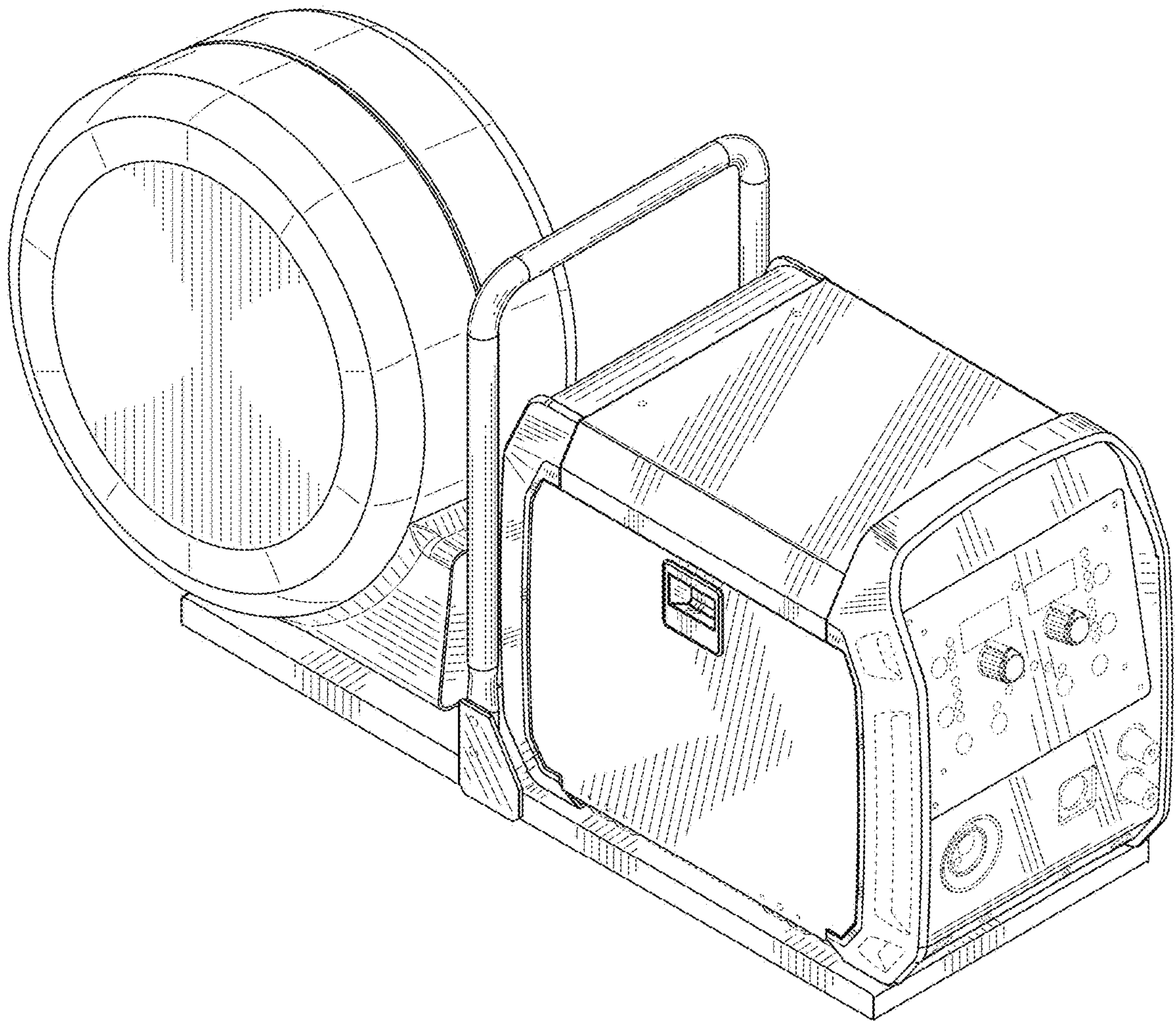


FIG. 1

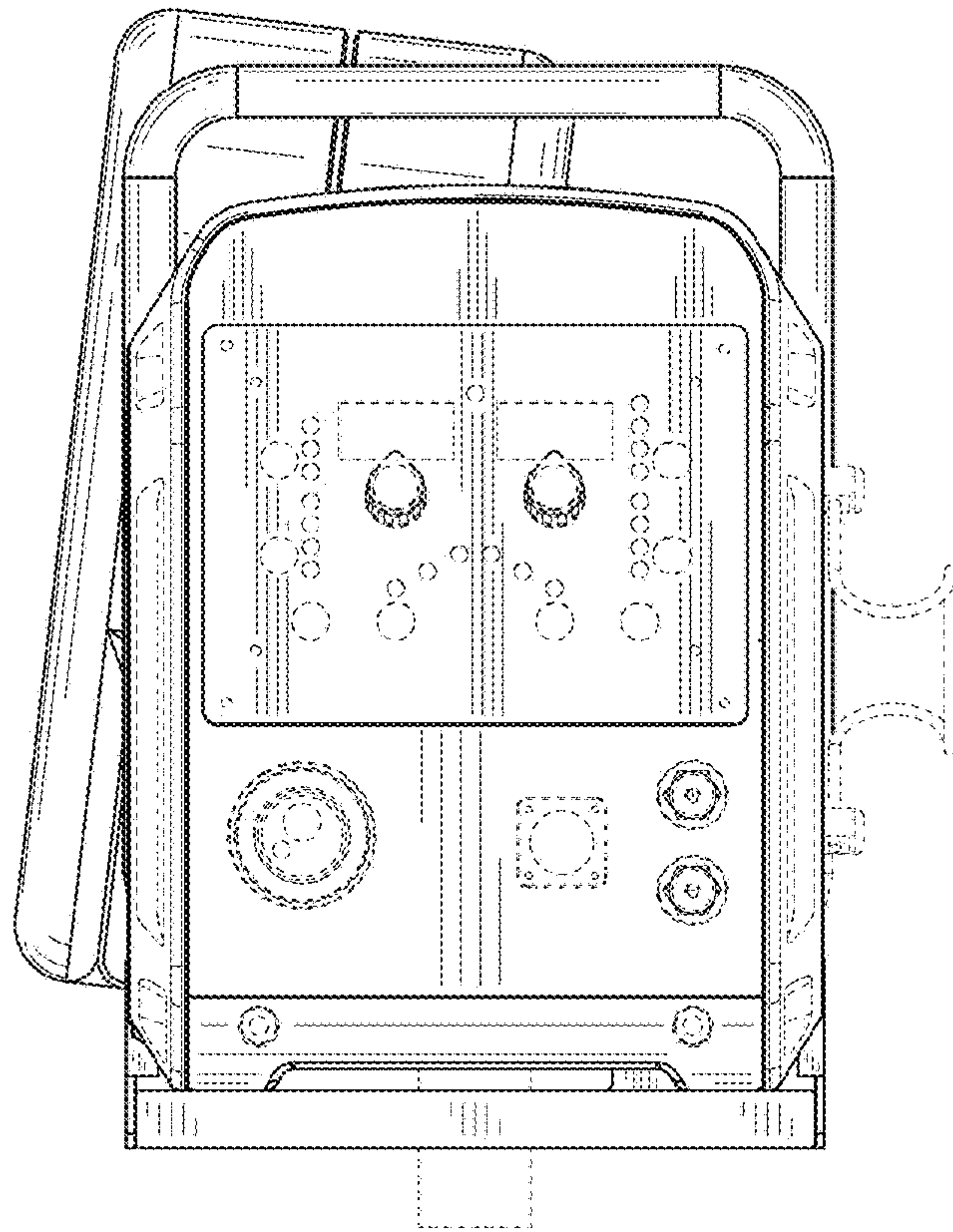
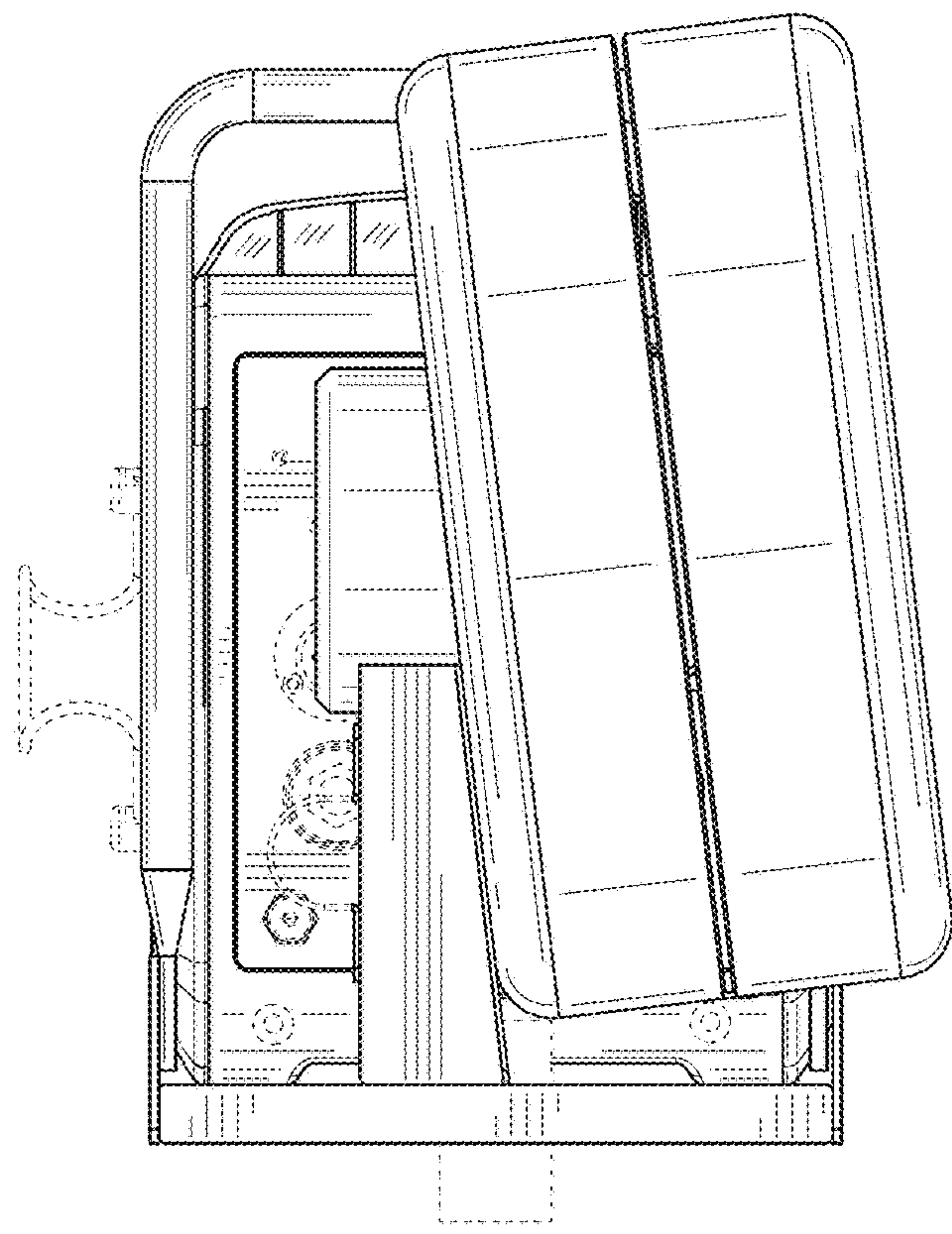


FIG. 2





**FIG. 3**

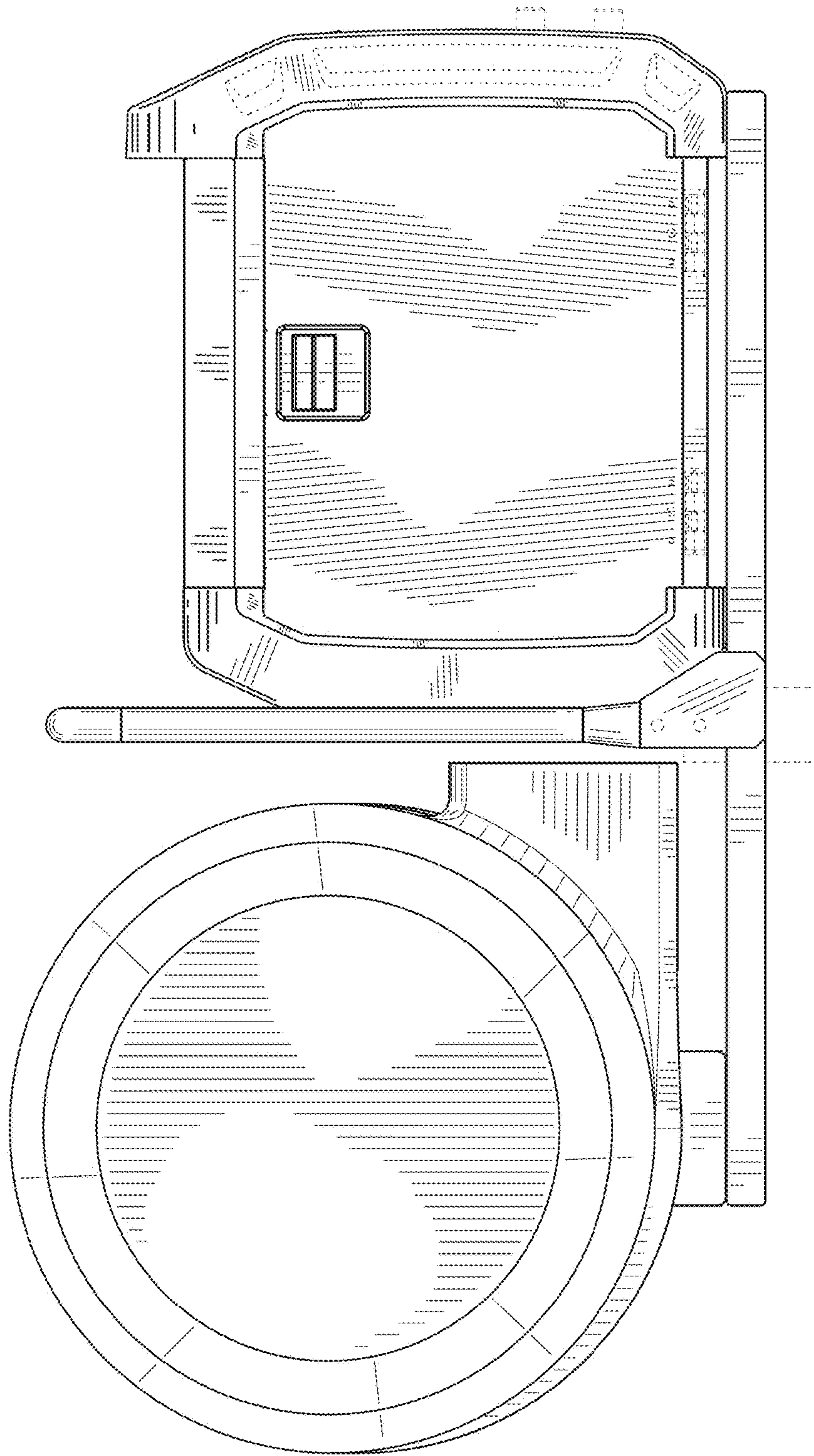


FIG. 4

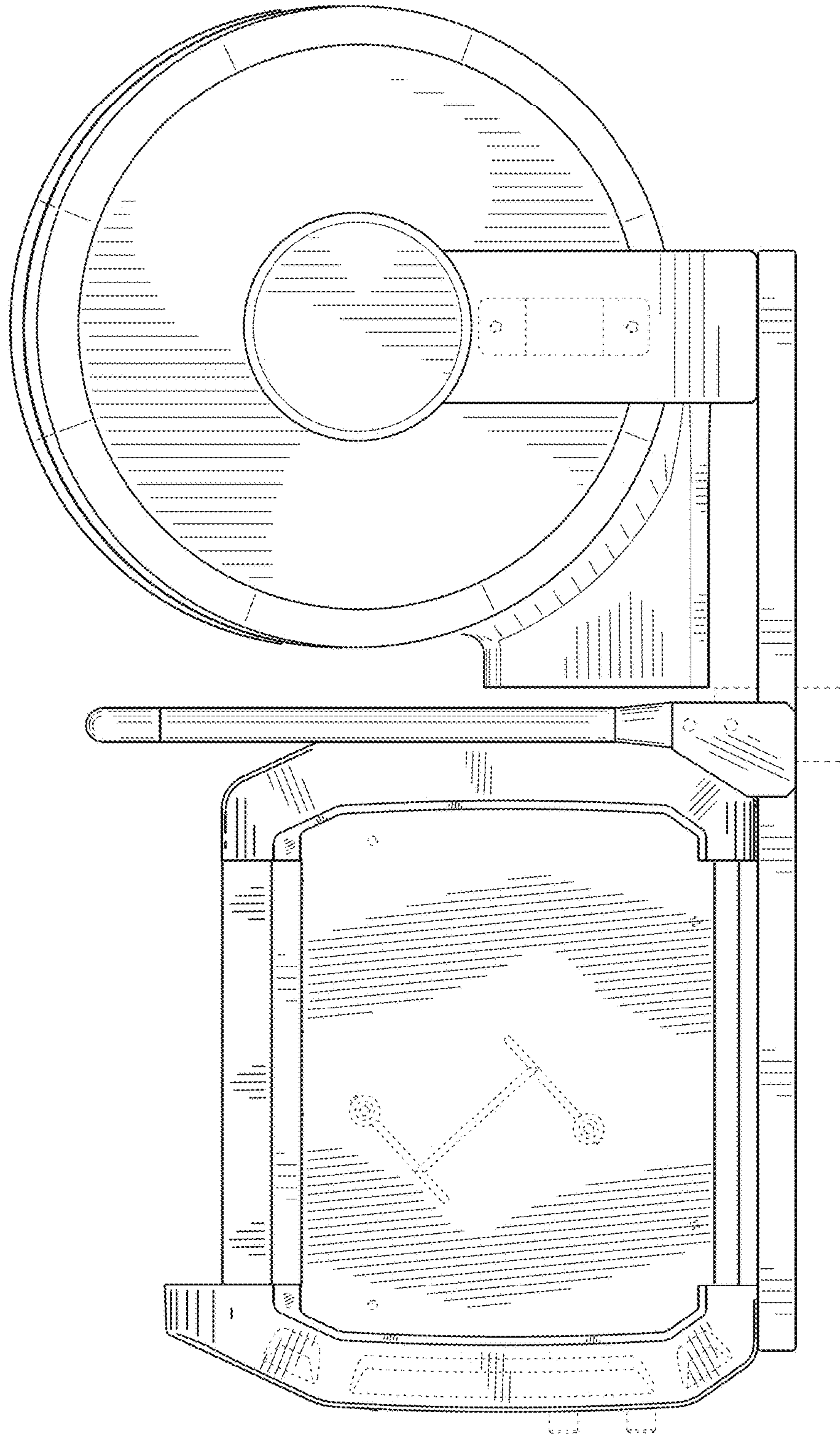


FIG. 5

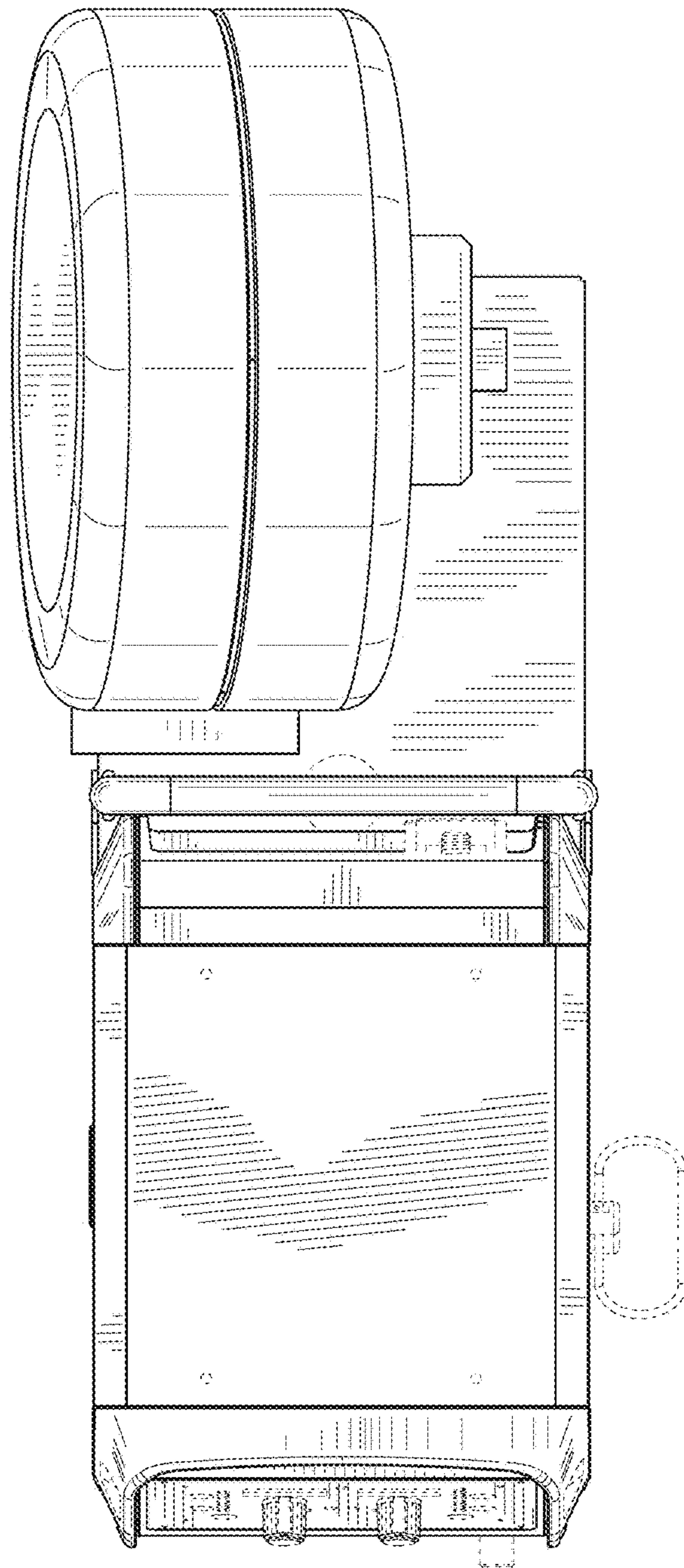


FIG. 6



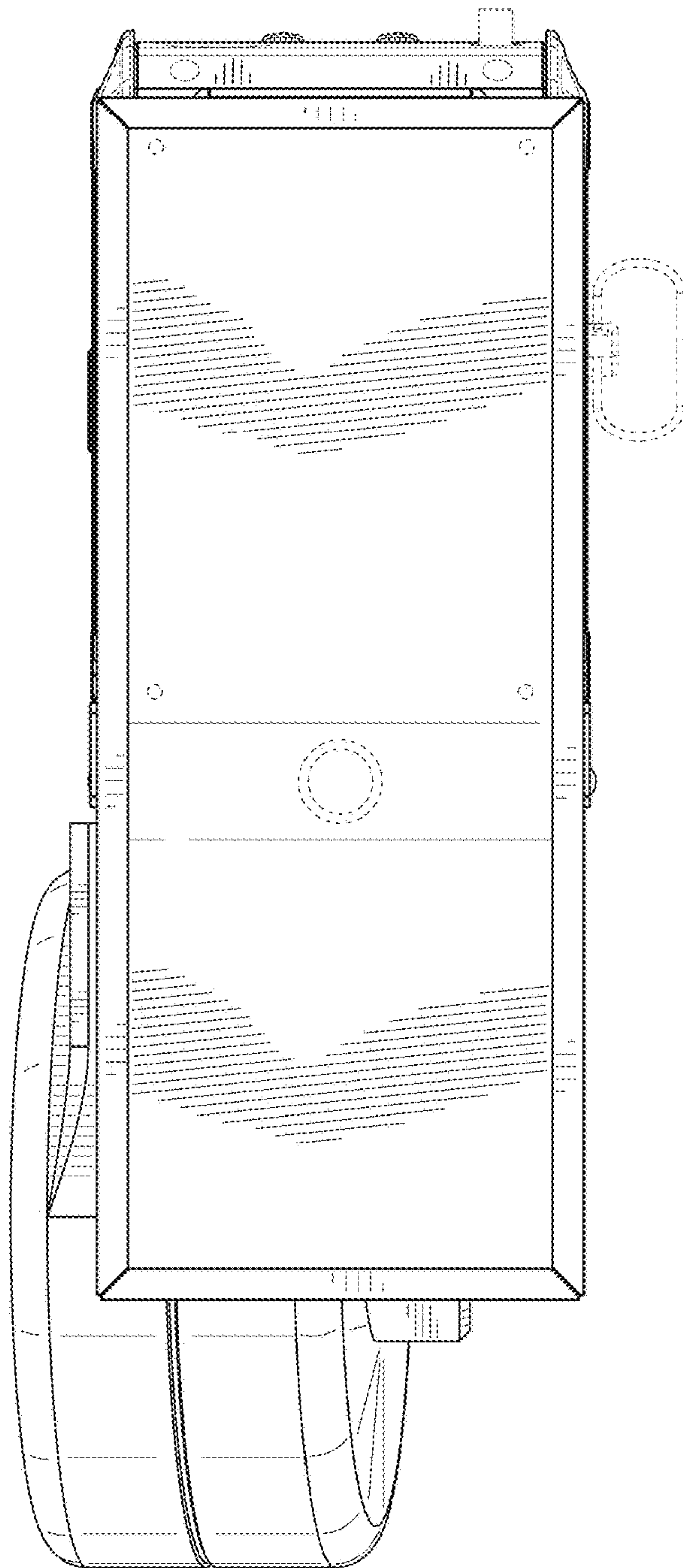


FIG. 7