



US00D868122S

(12) **United States Design Patent** (10) **Patent No.:** **US D868,122 S**  
**Rose et al.** (45) **Date of Patent:** **\*\* Nov. 26, 2019**

(54) **CUTTING BIT**  
(71) Applicant: **Kennametal Inc.**, Latrobe, PA (US)  
(72) Inventors: **David S. Rose**, Windber, PA (US);  
**Rohit Jadia**, Delmont, PA (US);  
**Brandon J. Kenno**, Windber, PA (US)  
(73) Assignee: **KENNAMETAL INC.**, Latrobe, PA (US)  
(\*\*) Term: **15 Years**  
(21) Appl. No.: **29/594,776**  
(22) Filed: **Feb. 22, 2017**  
(51) **LOC (12) Cl.** ..... **15-09**  
(52) **U.S. Cl.**  
USPC ..... **D15/139**  
(58) **Field of Classification Search**  
USPC ..... D8/20, 70; D15/126, 131, 138, 139, 140  
CPC ..... B23C 5/109; B23C 5/207  
See application file for complete search history.

D520,035 S 5/2006 Kammerer  
D570,886 S \* 6/2008 Chiang ..... D15/139  
D572,735 S 7/2008 Kammerer  
D572,736 S 7/2008 Chiang  
D585,918 S 2/2009 Chiang  
D627,808 S 11/2010 Kammerer  
D627,809 S 11/2010 Kammerer  
D636,797 S 4/2011 Kammerer  
D637,213 S 5/2011 Kammerer  
8,840,344 B2 \* 9/2014 Stenman ..... B23B 51/05  
408/186  
D742,948 S 11/2015 Kenno  
D742,949 S 11/2015 Kenno  
9,458,607 B2 \* 10/2016 Swope ..... B28D 1/186  
2002/0164215 A1 11/2002 Bauschulte  
2006/0055229 A1 \* 3/2006 Stehney ..... E21C 35/187  
299/81.2  
2010/0295360 A1 11/2010 Krämer  
2010/0320003 A1 \* 12/2010 Sollami ..... E21C 35/183  
175/420.1  
2011/0204702 A1 8/2011 Lehnert

\* cited by examiner

*Primary Examiner* — Patricia A Palasik  
(74) *Attorney, Agent, or Firm* — Ian K. Samways

(56) **References Cited**

U.S. PATENT DOCUMENTS

D81,479 S 7/1930 Heitxamp  
5,131,725 A 7/1992 Rowlett  
D347,232 S 5/1994 Massa  
5,324,098 A 6/1994 Massa  
5,484,191 A \* 1/1996 Sollami ..... E21B 10/567  
299/105  
D387,072 S \* 12/1997 Ojanen ..... D15/139  
D404,629 S 1/1999 Cooper  
6,019,434 A 2/2000 Emmerich  
6,196,636 B1 3/2001 Mills  
6,249,950 B1 \* 6/2001 Brask ..... B23B 27/04  
29/434  
6,341,823 B1 1/2002 Sollami  
6,354,771 B1 3/2002 Bauschulte  
6,857,831 B2 \* 2/2005 Davis ..... B23B 51/0433  
408/204

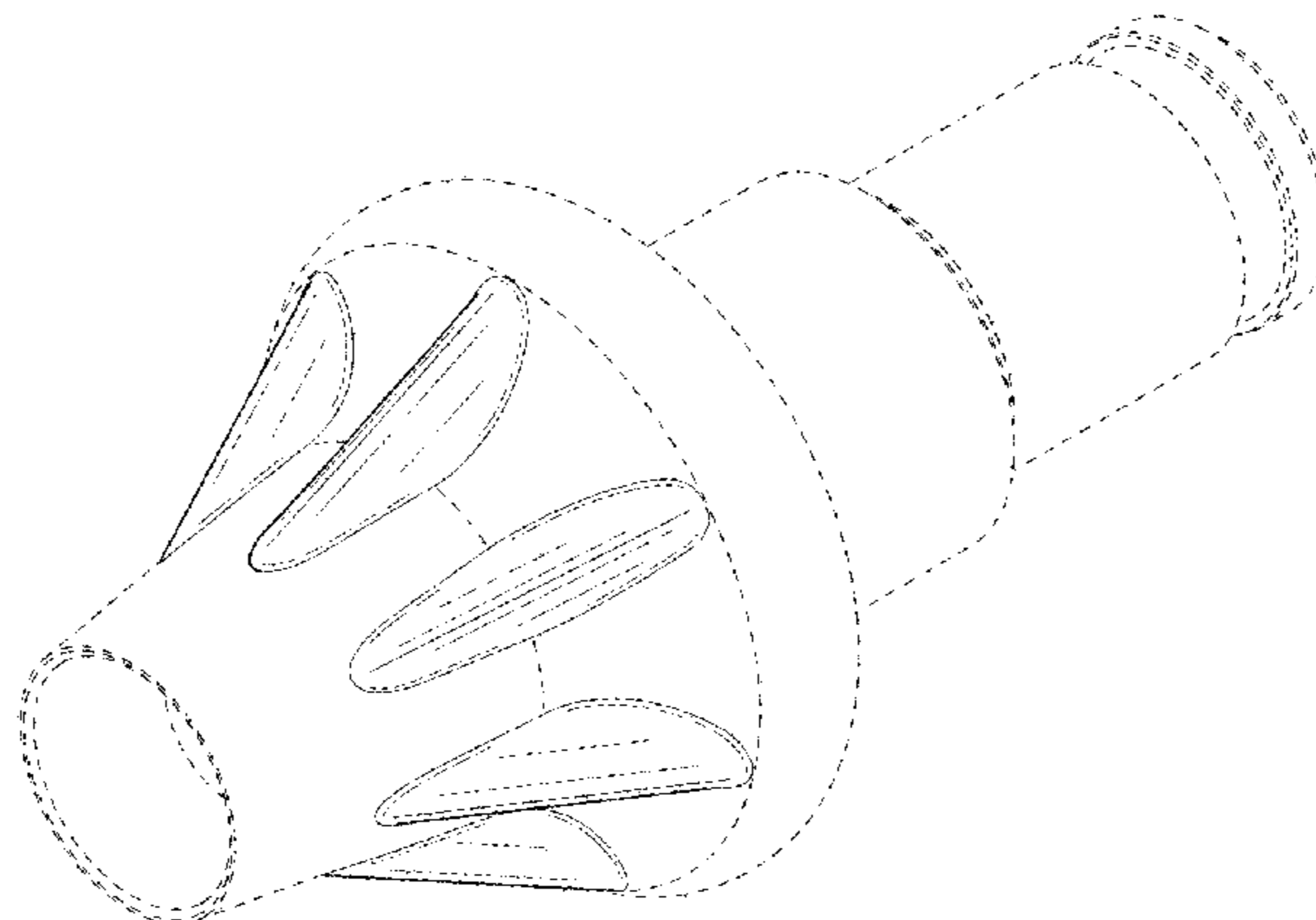
(57) **CLAIM**

We claim the ornamental design for a cutting bit, substantially as shown and described.

**DESCRIPTION**

FIG. 1 is an isometric top view of a cutting bit showing our new design, in accordance with at least one aspect; FIG. 2 is a front view of the cutting bit of FIG. 1; FIG. 3 is a rear view of the cutting bit of FIG. 1; FIG. 4 is a right side view of the cutting bit of FIG. 1; FIG. 5 is a left side view of the cutting bit of FIG. 1; FIG. 6 is a top view of the cutting bit of FIG. 1; and, FIG. 7 is a bottom view of the cutting bit of FIG. 1.

**1 Claim, 6 Drawing Sheets**



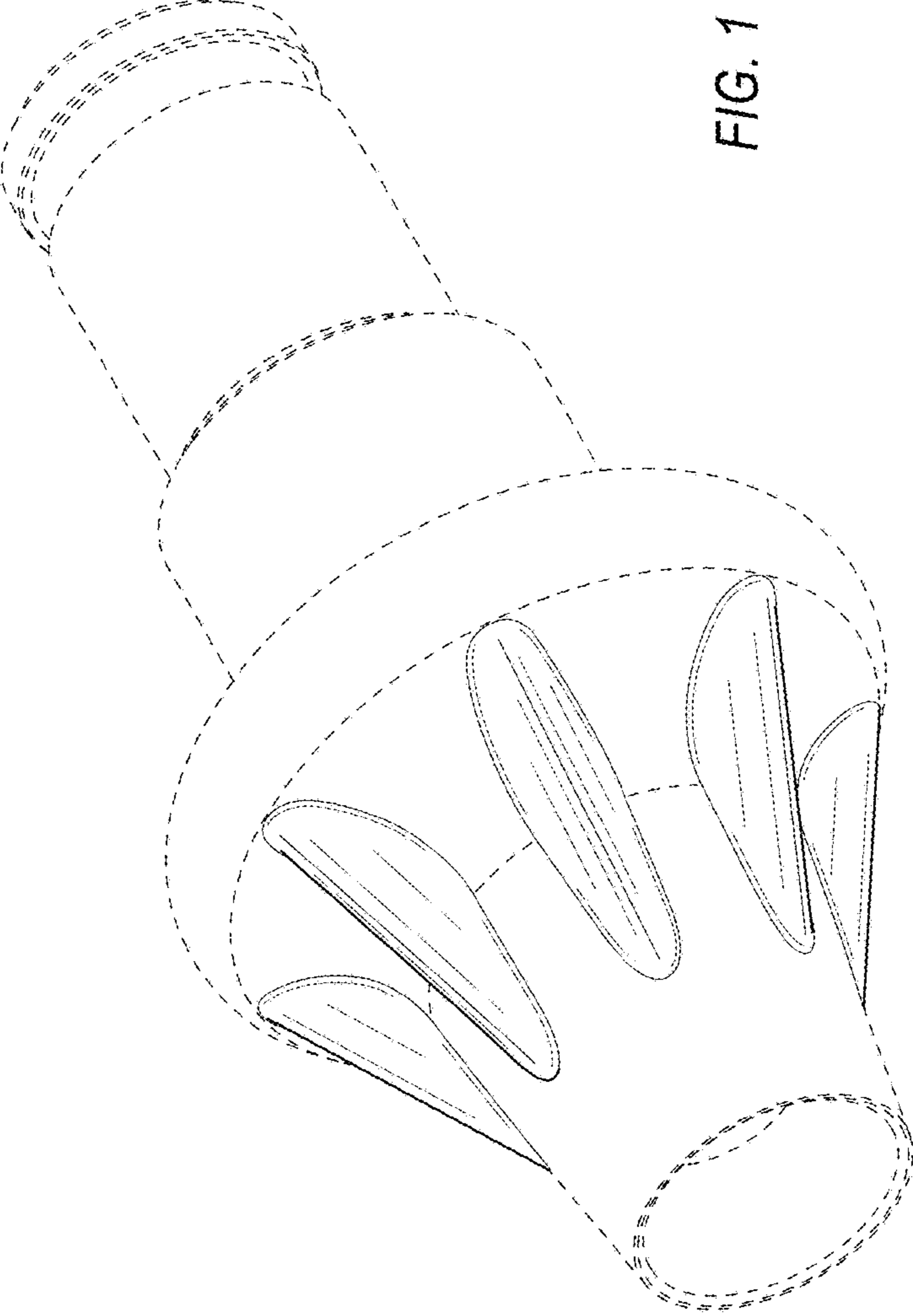


FIG. 1

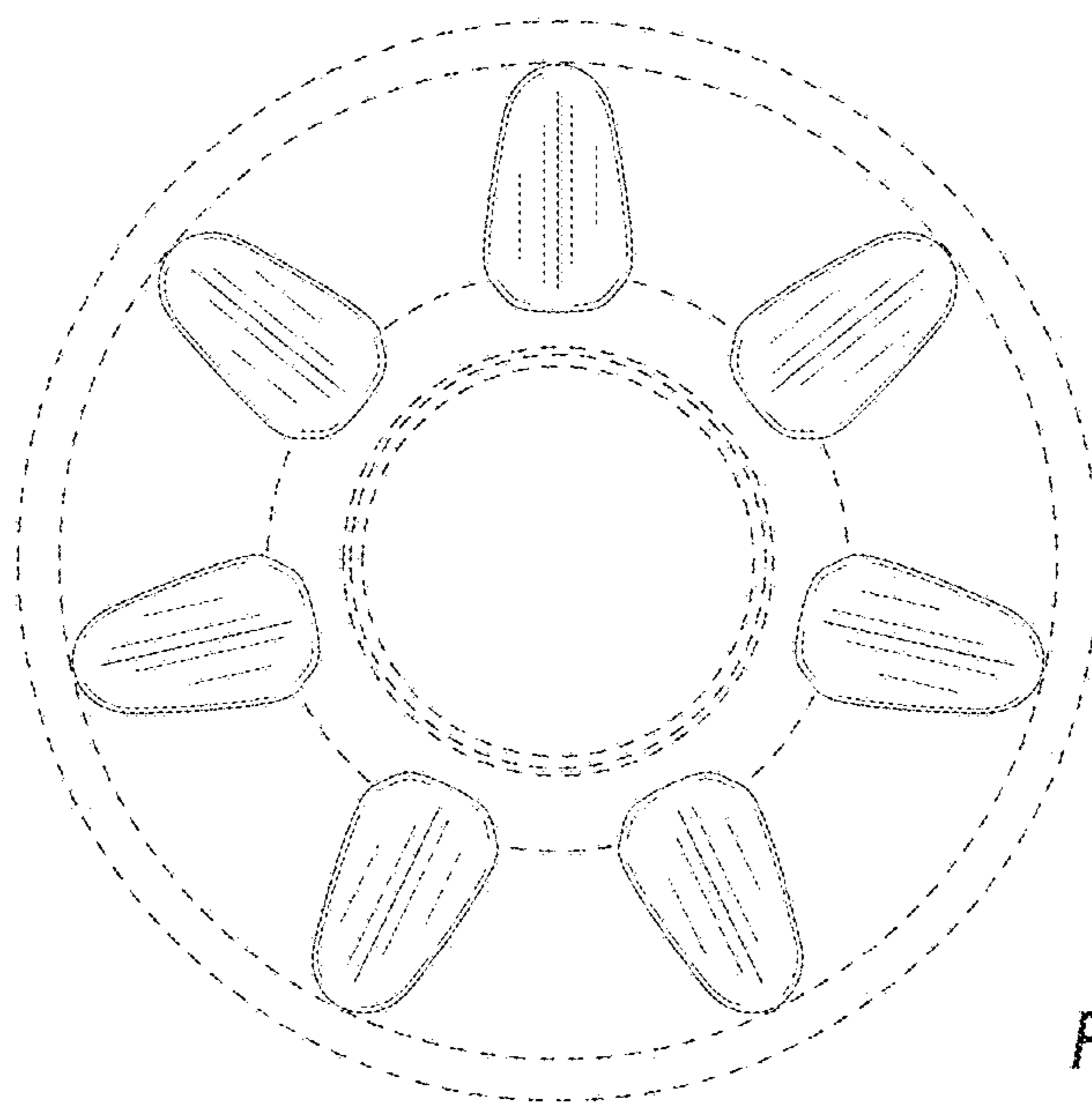


FIG. 2

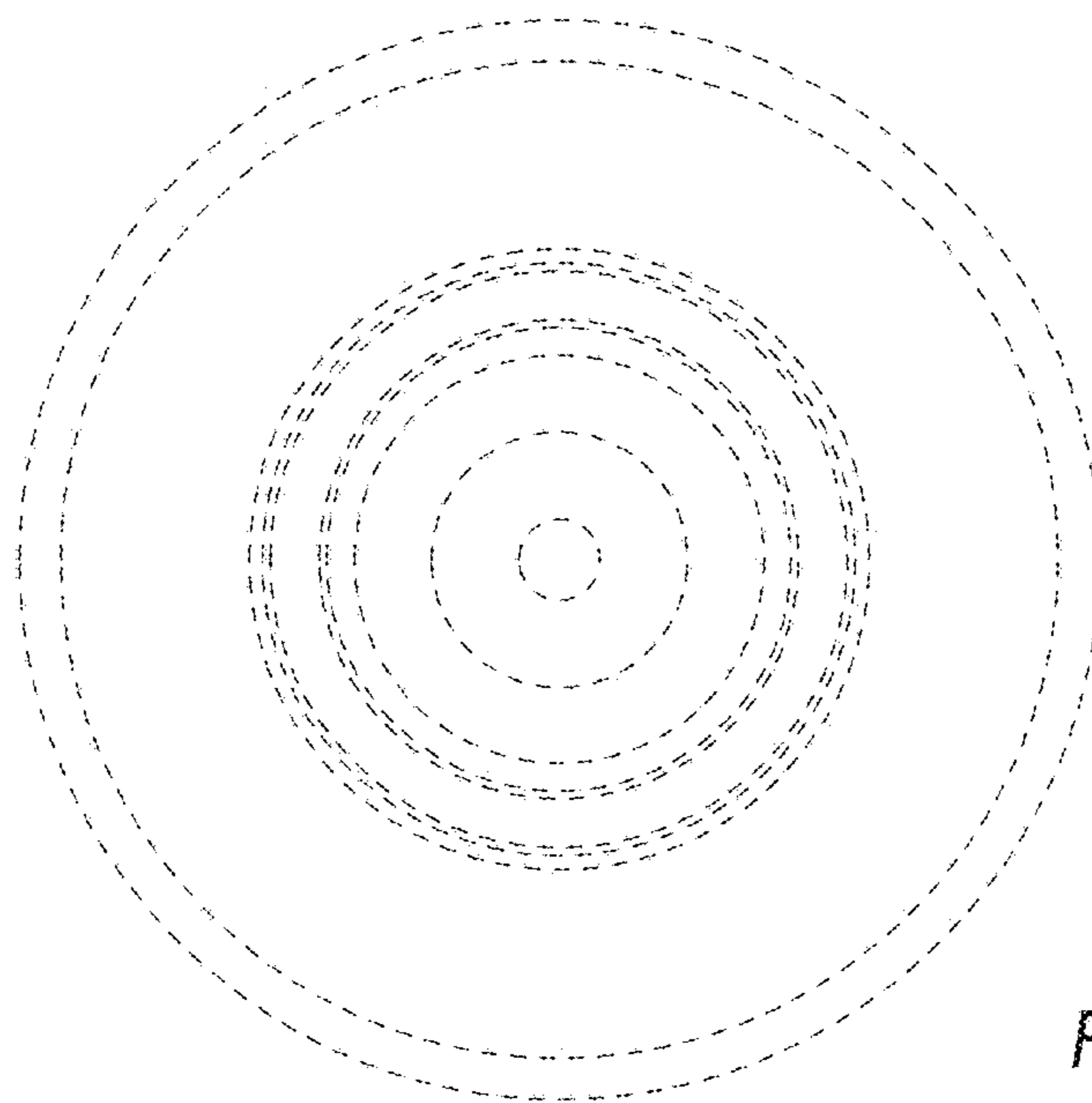


FIG. 3

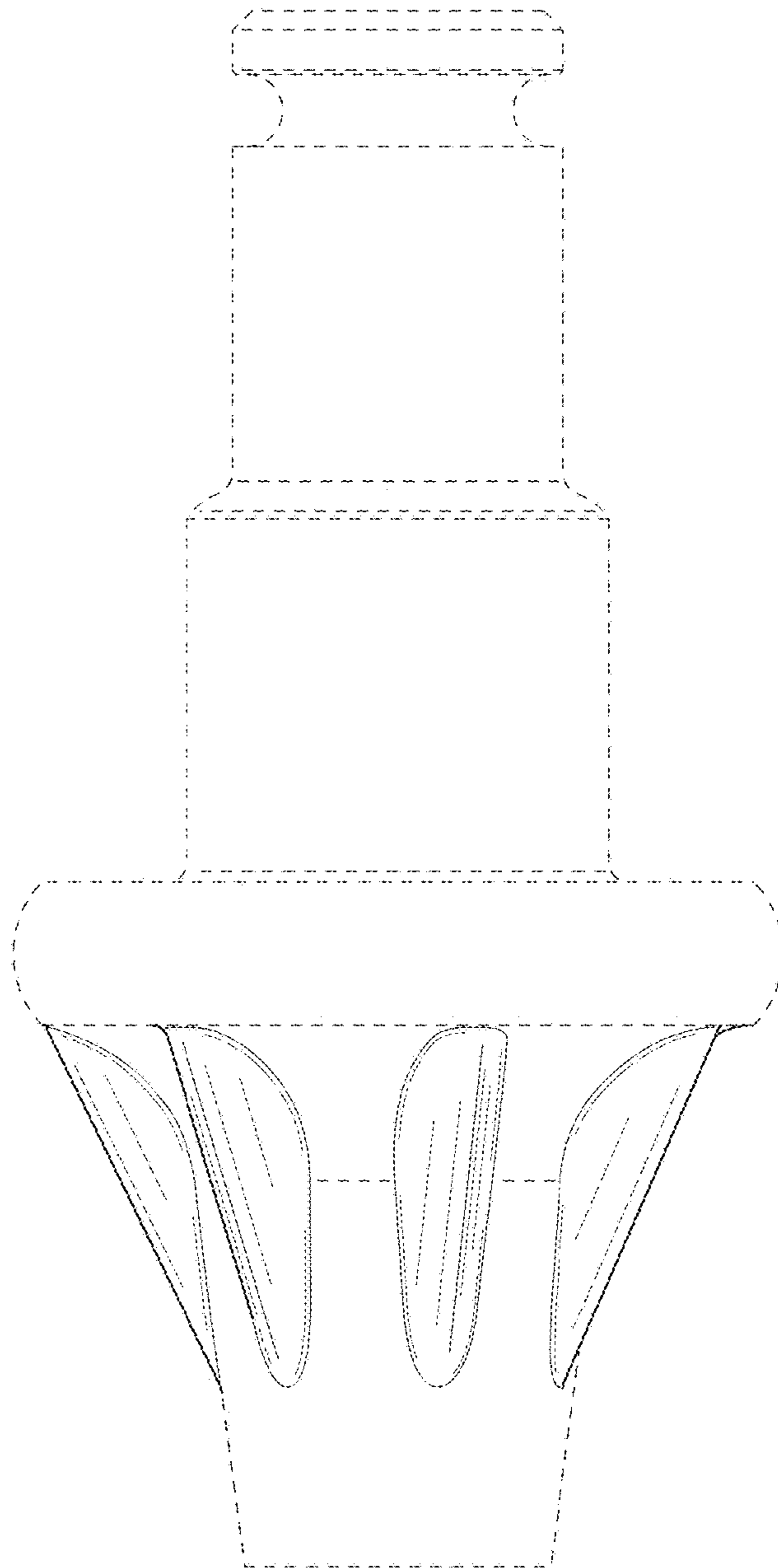


FIG. 4

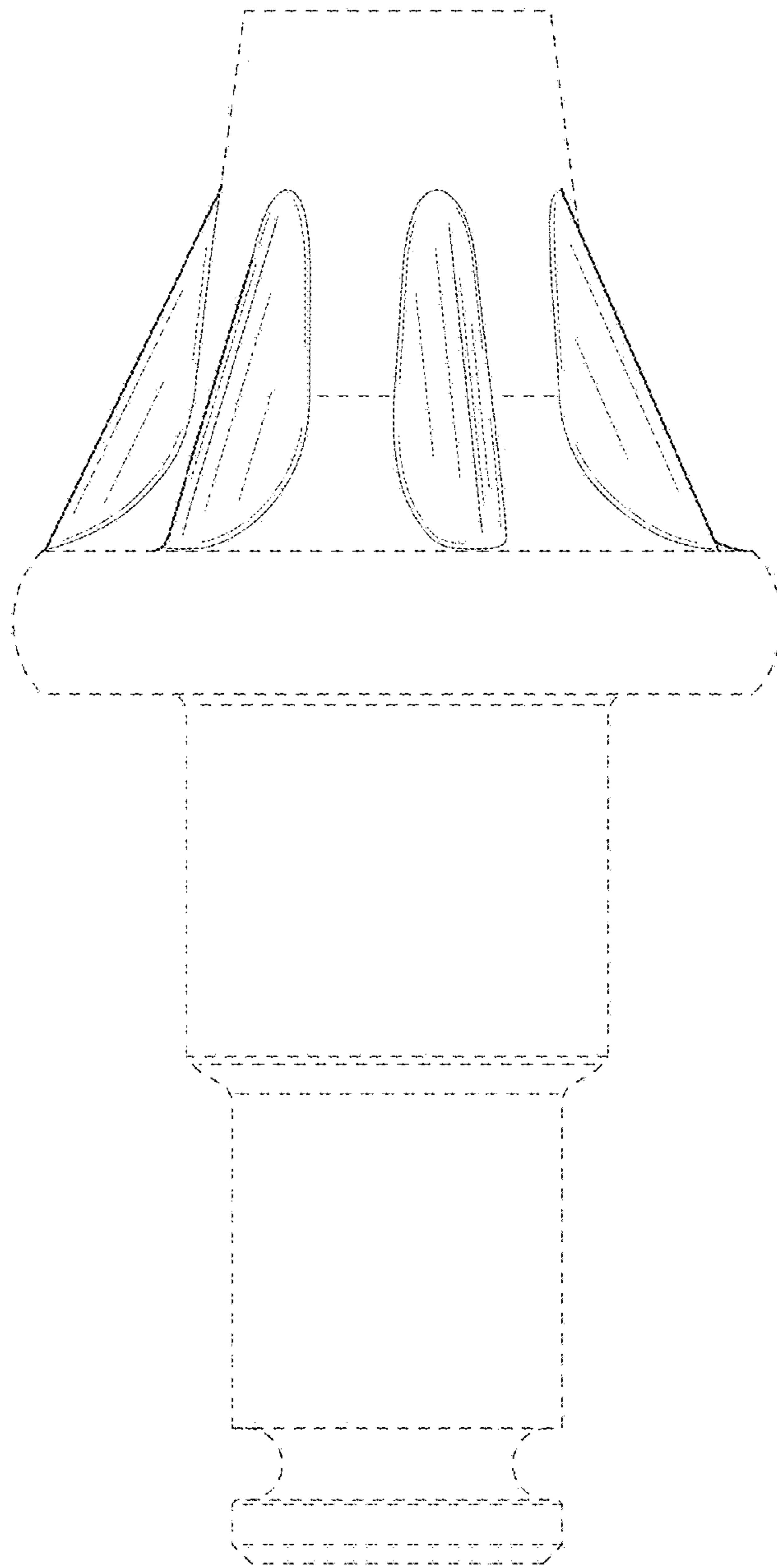


FIG. 5

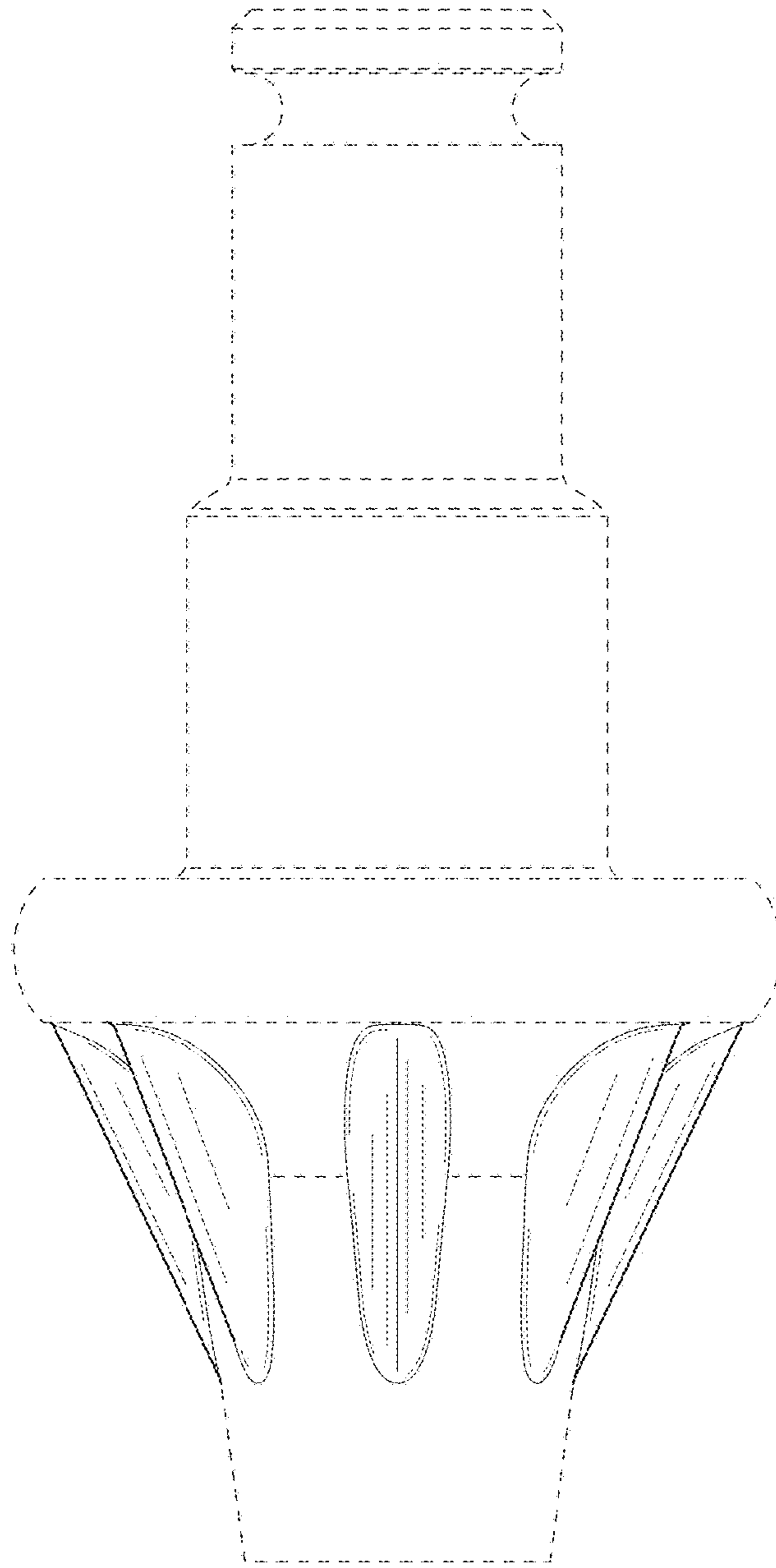


FIG. 6

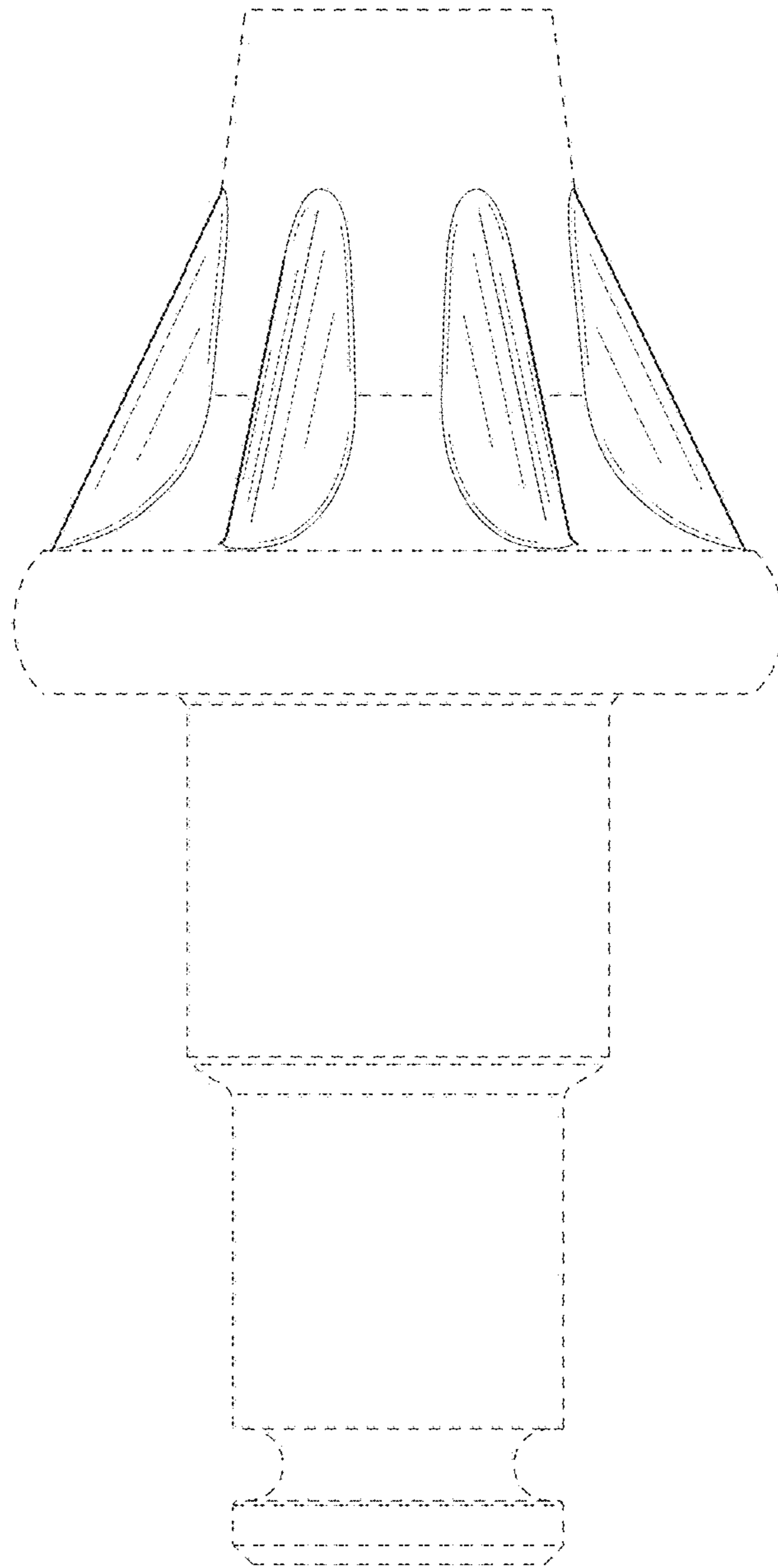


FIG. 7