



US00D868121S

(12) **United States Design Patent**  
**Carlson et al.**

(10) **Patent No.:** **US D868,121 S**

(45) **Date of Patent:** **\*\* Nov. 26, 2019**

(54) **LOADER CAB**

(71) Applicant: **Great Plains Manufacturing, Inc.**,  
Salina, KS (US)

(72) Inventors: **Jason Carlson**, Lindsborg, KS (US);  
**Toshihiko Takemura**, Grapevine, TX  
(US)

(73) Assignee: **Great Plains Manufacturing, Inc.**,  
Salina, KS (US)

(\*\*) Term: **15 Years**

(21) Appl. No.: **29/664,146**

(22) Filed: **Sep. 21, 2018**

(51) **LOC (12) Cl.** ..... **15-03**

(52) **U.S. Cl.**  
USPC ..... **D15/30**

(58) **Field of Classification Search**

USPC ..... D15/10, 22-26, 28, 30; 180/89.1, 89.12,  
180/89.13, 900, 9.1, 9.2, 9.62; 37/379;  
414/694, 699, 722-724, 660, 685, 698,  
414/719, 743

CPC ..... E02F 3/32; E02F 3/76; E02F 3/40; E02F  
3/325; E02F 3/352; E02F 3/384; E02F  
3/425; E02F 3/437; E02F 3/627; E02F  
3/964; E02F 9/163; E02F 9/0858; E02F  
9/0875; E02F 9/2045; E02F 9/006; E02F  
9/0808; E02F 9/0833; E02F 9/2004; E02F  
9/207; E02F 9/2091; E02F 9/2246; E02F  
9/2292

See application file for complete search history.

(56) **References Cited**

**U.S. PATENT DOCUMENTS**

D272,071 S \* 1/1984 Baconet ..... D15/30  
4,705,449 A \* 11/1987 Christianson ..... E02F 9/163  
180/6.5

D297,329 S \* 8/1988 Monehaie ..... D15/30  
D304,589 S \* 11/1989 Lanphere ..... D15/30  
D321,517 S \* 11/1991 Katoh ..... D15/30  
5,273,340 A \* 12/1993 Nelson ..... B62D 33/06  
296/190.03  
D348,270 S \* 6/1994 Lehmann-Brendel ..... D15/10

(Continued)

**OTHER PUBLICATIONS**

Mulch Cool Work Harder, Universal Hydraulic Oil Cooler, Owner's  
Manual, fae-group.com, FAE Land Clearing, 16 pages.

(Continued)

*Primary Examiner* — Mark A Goodwin

(74) *Attorney, Agent, or Firm* — Hovey Williams LLP

(57) **CLAIM**

The ornamental design for a loader cab, as shown and  
described.

**DESCRIPTION**

FIG. 1 is a top front perspective view of a loader cab  
according to our new design, wherein the loader cab is  
positioned on a loader machine and includes an oil cooler  
extending rearward therefrom;

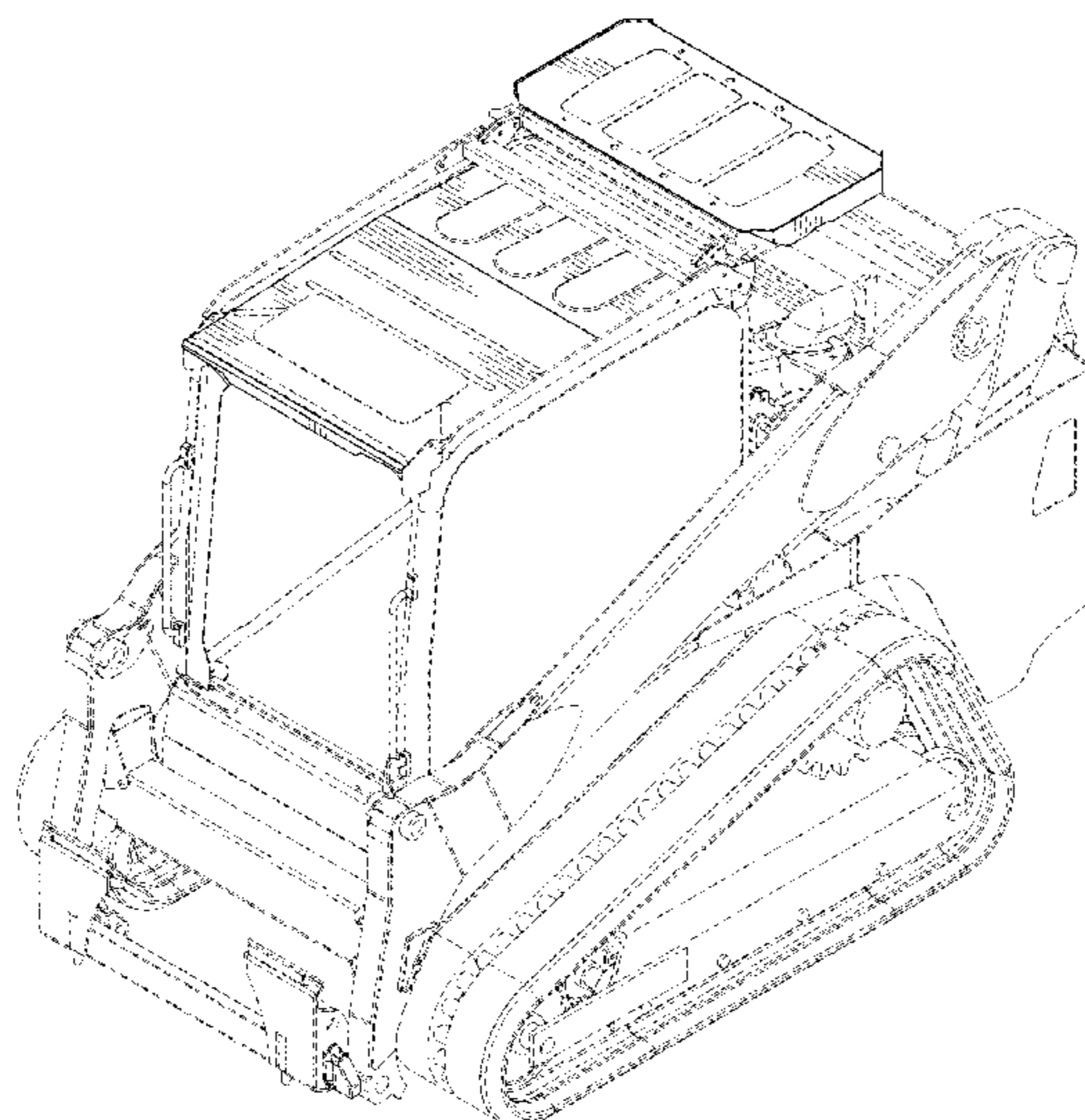
FIG. 2 is a top front perspective view of the loader cab from  
FIG. 1;

FIG. 3 is a front elevation view of the loader cab of FIG. 2;  
FIG. 4 is a left side elevation view of the loader cab of FIGS.  
2-3, wherein a right side elevation view is a mirror image of  
the left side;

FIG. 5 is a rear elevation view of the loader cab of FIGS.  
2-4;

FIG. 6 is a top plan view of the loader cab of FIGS. 2-5; and,  
FIG. 7 is a bottom plan view of the loader cab of FIGS. 2-6.  
The broken lines shown in the various figures illustrate  
environment and portions of the loader cab that form no part  
of the claimed design.

**1 Claim, 7 Drawing Sheets**



(56)

References Cited

U.S. PATENT DOCUMENTS

5,427,185 A \* 6/1995 Seal ..... E02F 3/7627  
 172/197  
 D366,267 S \* 1/1996 Lepoix ..... D15/30  
 D376,604 S \* 12/1996 Johnson ..... D15/30  
 5,911,624 A \* 6/1999 Stauffer ..... B60H 1/00378  
 454/158  
 D424,778 S \* 5/2000 Dahl ..... D12/96  
 D446,225 S \* 8/2001 Brandenburg, III ..... D15/30  
 D450,718 S \* 11/2001 Muraro ..... D15/25  
 D453,023 S \* 1/2002 Kaneko ..... D15/21  
 D455,763 S \* 4/2002 Brandenburg, III ..... D15/30  
 D463,461 S \* 9/2002 Yanagida ..... D15/30  
 D463,462 S \* 9/2002 Yanagida ..... D15/30  
 D464,662 S \* 10/2002 Dahl ..... D15/33  
 D479,536 S \* 9/2003 Dahl ..... D15/30  
 D481,044 S \* 10/2003 Tokach ..... D15/30  
 D492,327 S \* 6/2004 Albright ..... D15/23  
 D497,920 S \* 11/2004 Antonetti ..... D15/30  
 D504,136 S \* 4/2005 Albright ..... D15/23  
 D531,646 S \* 11/2006 McCarren, Jr. .... D15/30  
 D533,569 S \* 12/2006 Mursch ..... D15/28  
 D534,927 S \* 1/2007 Mursch ..... D15/28  
 D541,826 S \* 5/2007 Brush ..... D15/30  
 D549,245 S \* 8/2007 Antonetti ..... D15/30  
 D572,277 S \* 7/2008 Pinther ..... D15/23  
 D583,835 S \* 12/2008 Sugiyama ..... D15/23  
 D594,480 S \* 6/2009 Gicquel ..... D15/30  
 D600,721 S \* 9/2009 Shimomura ..... D15/23  
 D614,674 S \* 4/2010 Hobenshield ..... D15/30  
 D625,741 S \* 10/2010 Seidel ..... D15/30  
 D636,795 S \* 4/2011 Yamamoto ..... D15/28  
 D637,630 S \* 5/2011 Yamamoto ..... D15/30  
 D642,205 S \* 7/2011 Yamamoto ..... D15/30  
 D653,173 S \* 1/2012 Dolesh ..... D12/96

D654,400 S \* 2/2012 Dolesh ..... D12/96  
 D660,881 S \* 5/2012 Bohme ..... D15/30  
 D668,693 S \* 10/2012 Ringer ..... D15/30  
 D671,566 S \* 11/2012 Fang ..... D15/30  
 D684,607 S \* 6/2013 Hagura ..... D15/30  
 D687,868 S \* 8/2013 Watson ..... D15/30  
 D691,924 S \* 10/2013 Smith ..... D12/96  
 D707,728 S \* 6/2014 Imashige ..... D15/30  
 D714,837 S \* 10/2014 Jacobsthal ..... D15/30  
 D720,370 S \* 12/2014 Carter ..... D15/30  
 D749,649 S \* 2/2016 McAdam ..... D15/30  
 D751,123 S \* 3/2016 Kazakoff ..... D15/30  
 D762,248 S \* 7/2016 Steinhardt ..... D15/30  
 D773,537 S \* 12/2016 Fiser ..... D15/30  
 D774,111 S \* 12/2016 Underhill ..... D15/30  
 D774,112 S \* 12/2016 Fiser ..... D15/30  
 D775,244 S \* 12/2016 Hart ..... D15/30  
 D780,231 S \* 2/2017 Saari ..... D15/30  
 D780,232 S \* 2/2017 Saari ..... D15/30  
 D780,235 S \* 2/2017 Kim ..... D15/30  
 D784,425 S \* 4/2017 Cooksey ..... D15/30  
 D790,598 S \* 6/2017 Furuki ..... D15/25  
 D835,160 S \* 12/2018 Jilbert ..... D15/25  
 D849,062 S \* 5/2019 Jilbert ..... D15/25

OTHER PUBLICATIONS

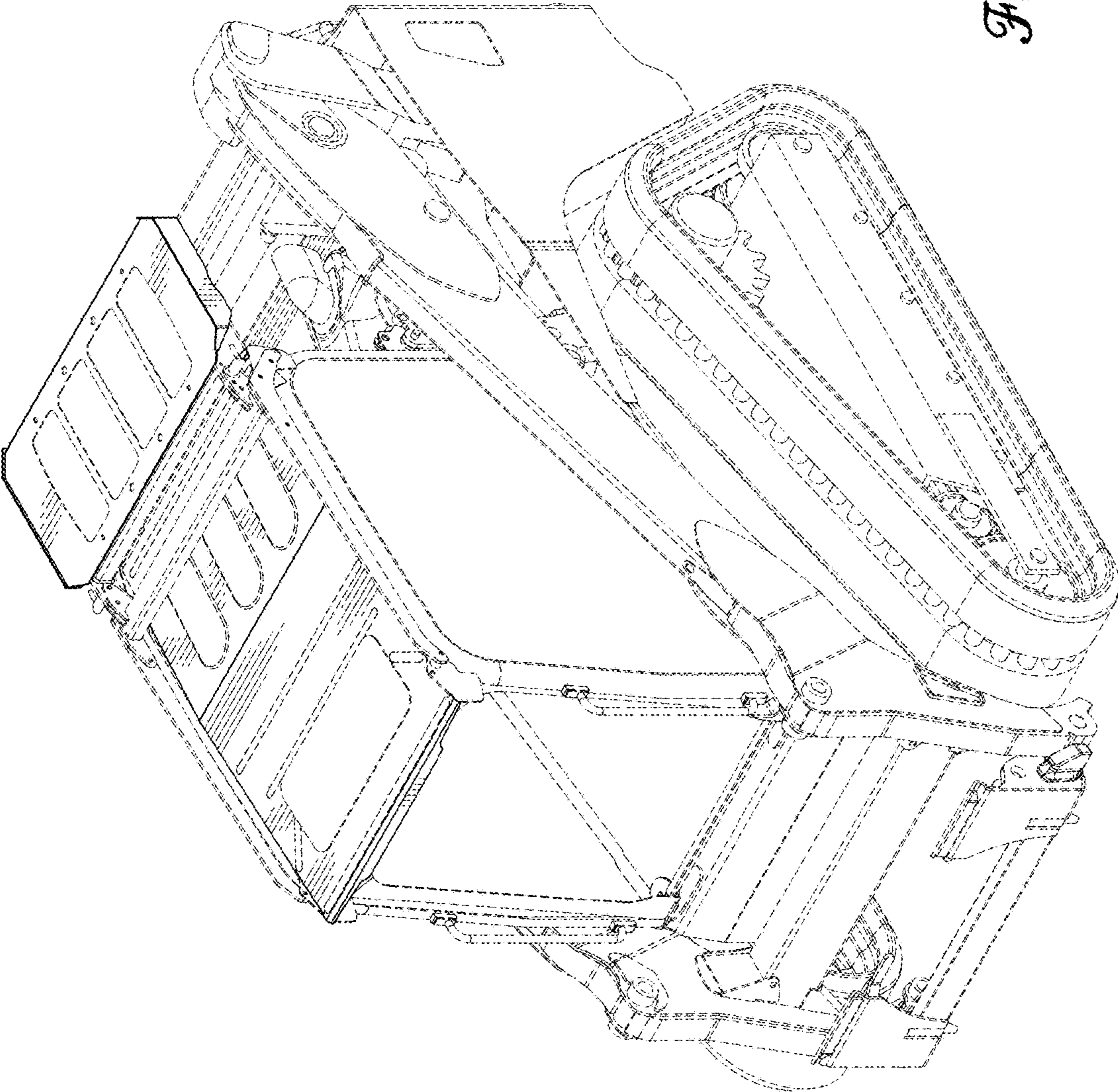
Code Part Manual PM-RAD-AUS for Auxiliary Oil Cooler Kit for Skid Steer, Ref. 600000416-00, No. ESPL0S0, 3 pages, Aug. 2, 2018.

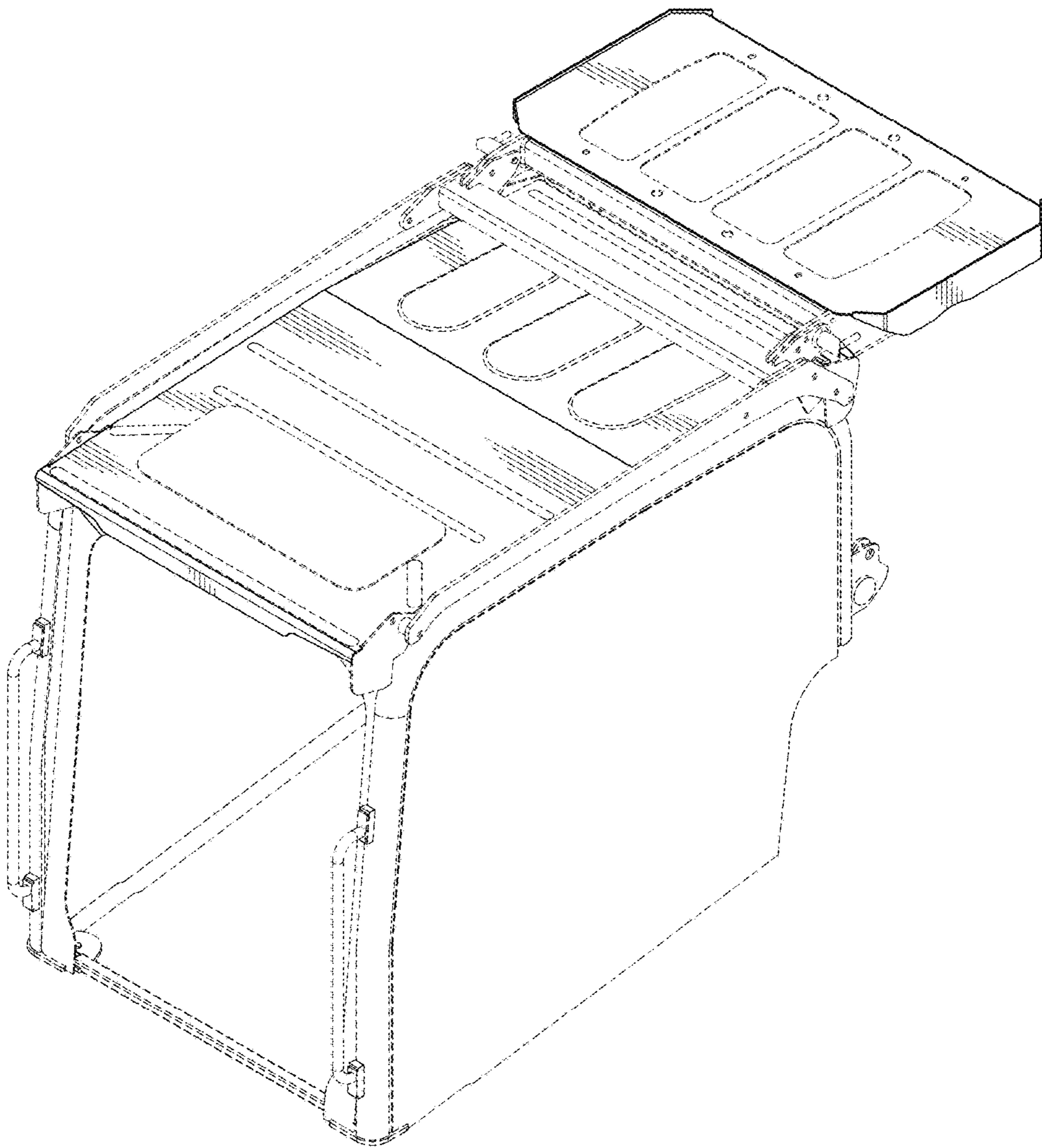
Auxiliary Hydraulic Oil Cooler for Skid-steers, Loftness Cool Flow, loftness.com, Hector, Minnesota, 2 pages.

Loftness Universal Hydraulic Oil Cooler Owner's Manual, U.S. Appl. No. 50-403, N14882 Rev. E, 32 pages, May 2, 2017.

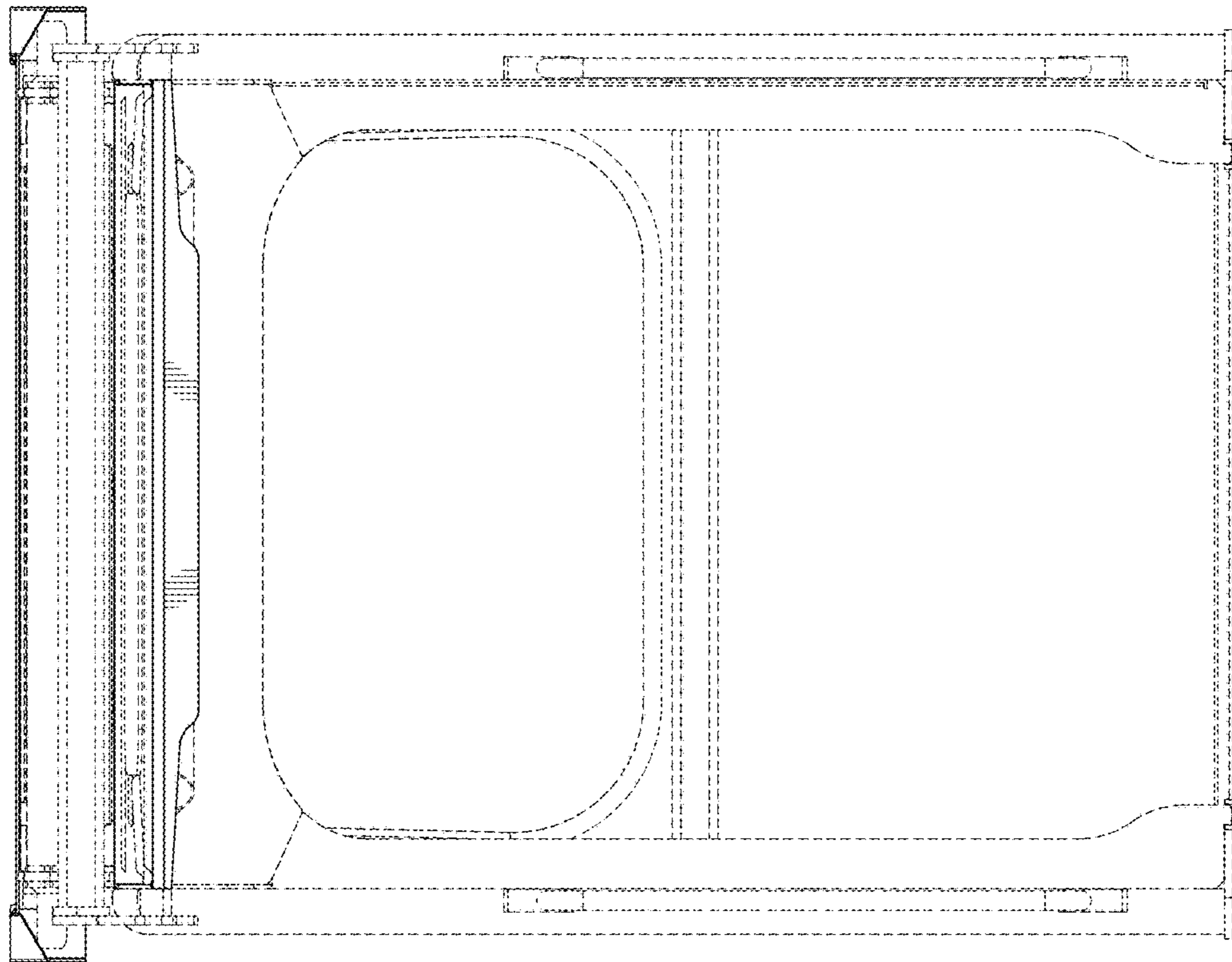
\* cited by examiner

*Fig. 1.*

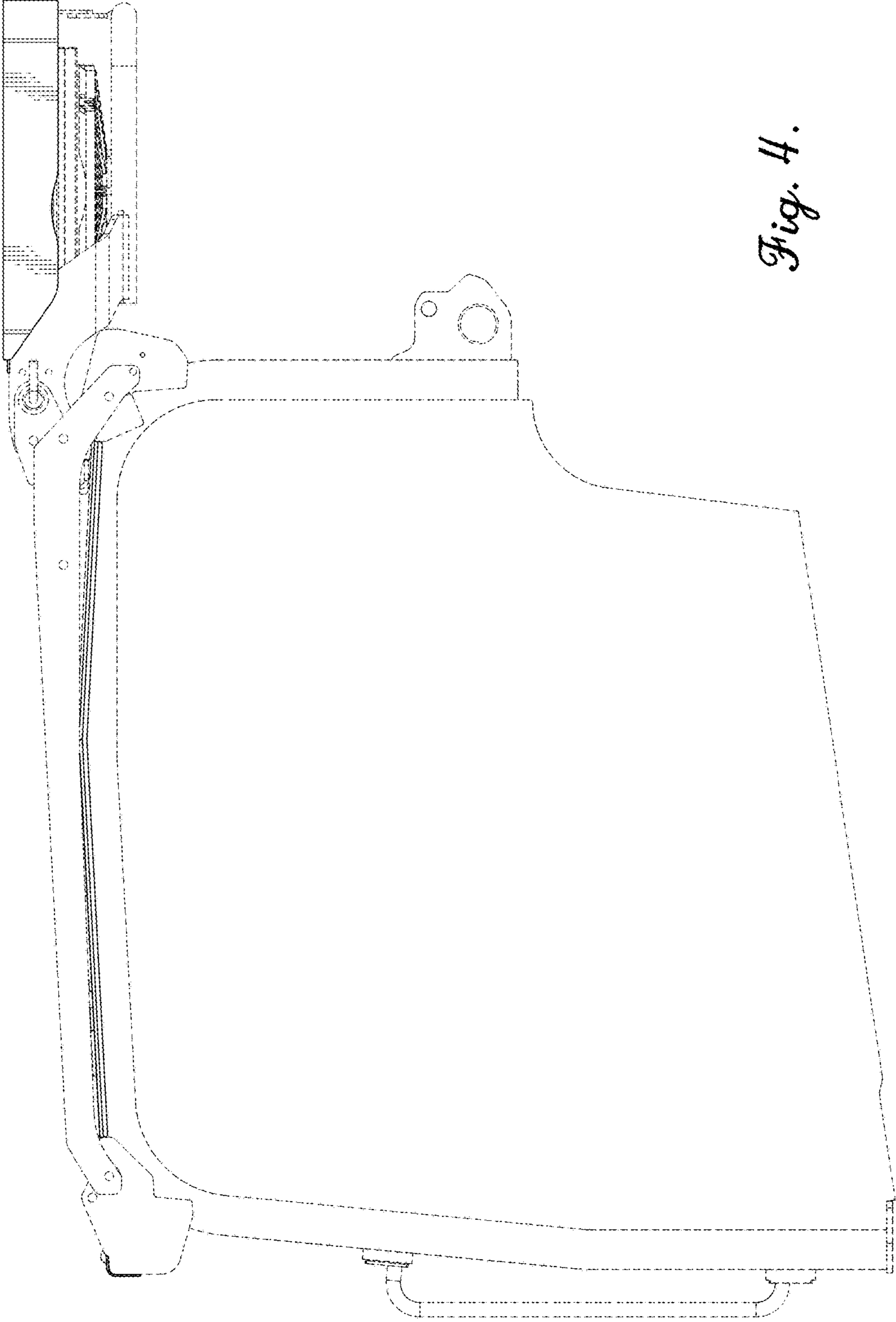




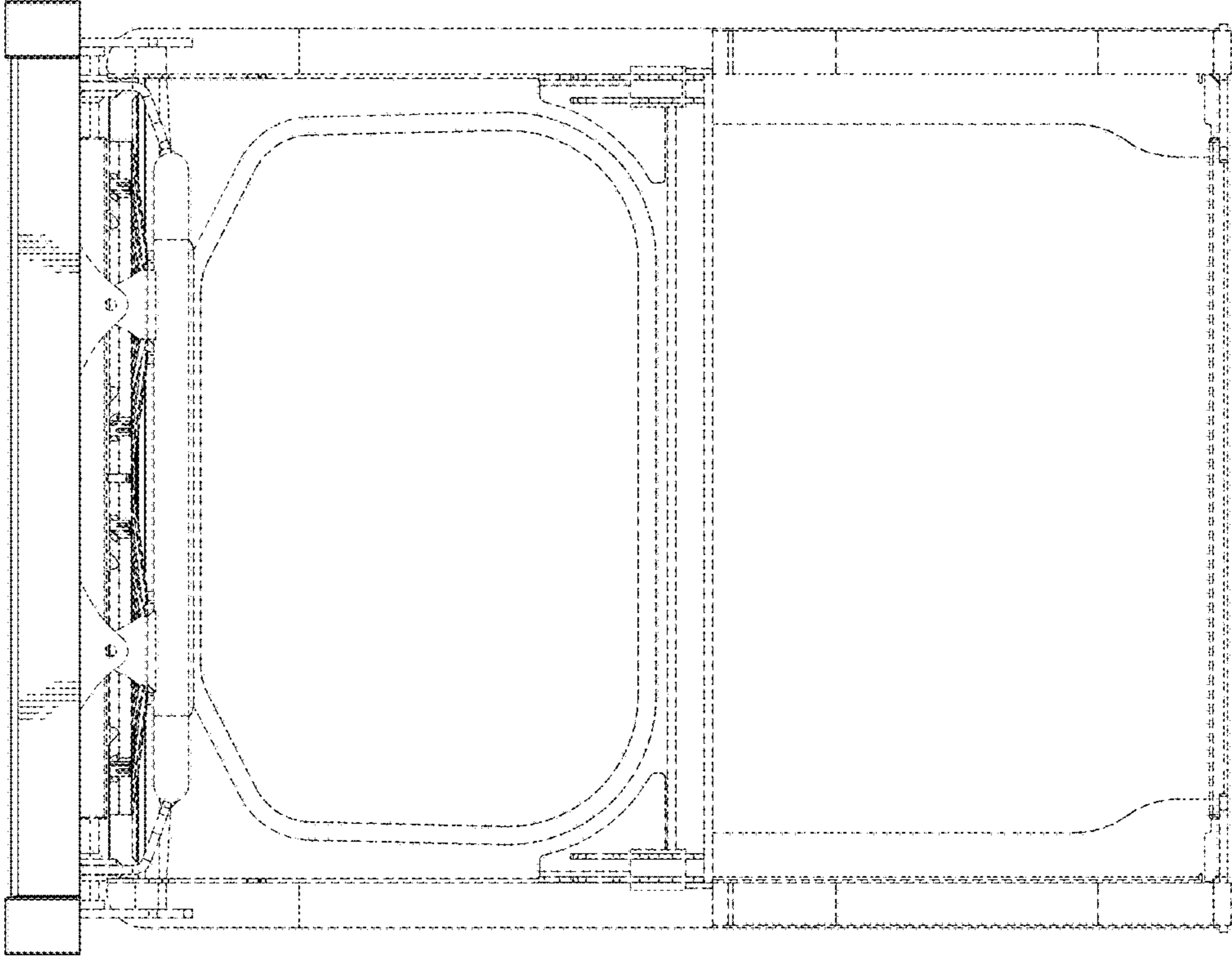
*Fig. 2.*



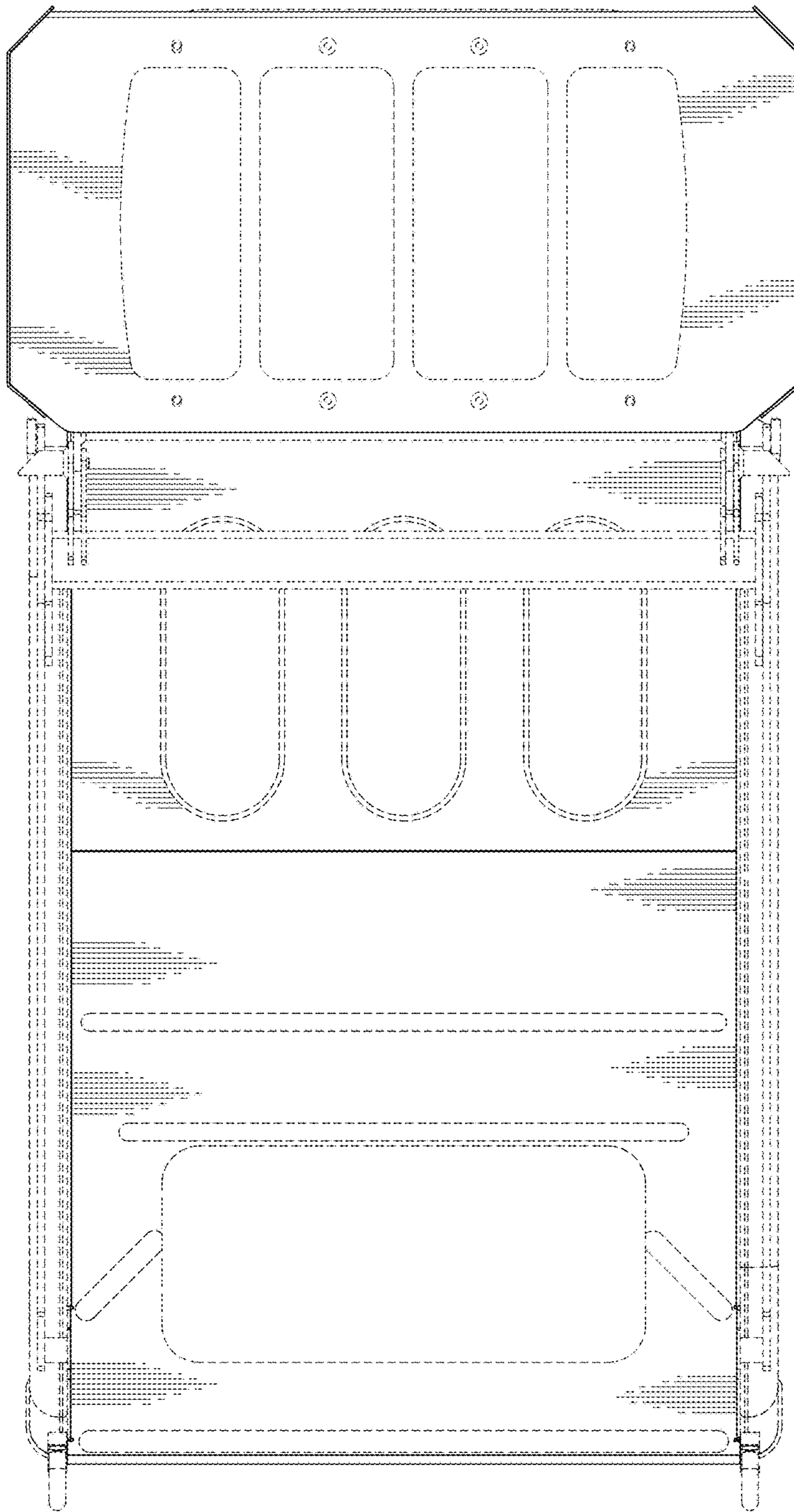
*Fig. 3.*



*Fig. 4.*

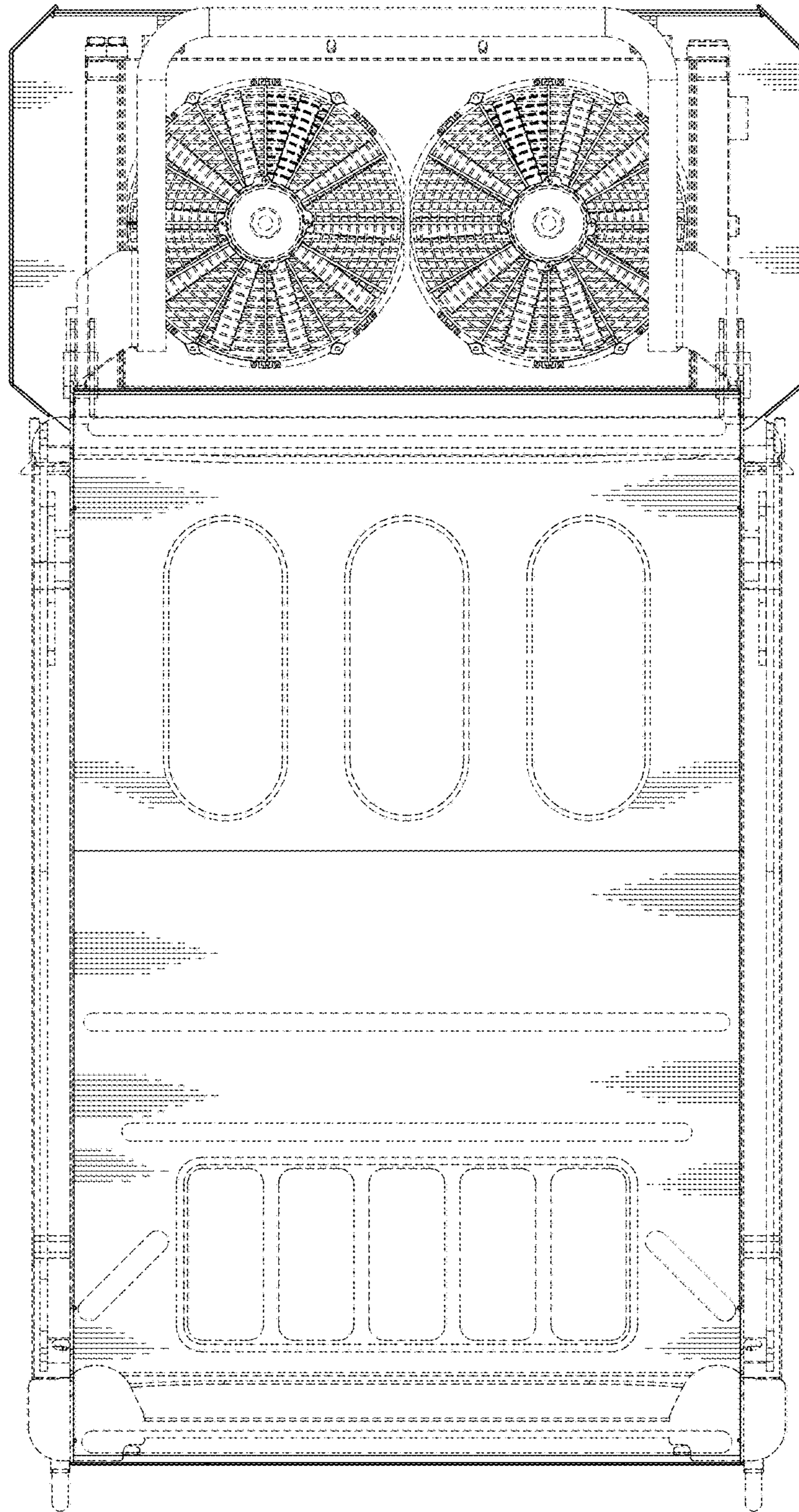


*Fig. 5.*



*Fig. 6.*





*Fig. 7.*