



US00D868120S

(12) **United States Design Patent**
Jilbert et al.

(10) **Patent No.:** **US D868,120 S**

(45) **Date of Patent:** **** Nov. 26, 2019**

- (54) **EXCAVATOR**
- (71) Applicant: **J.C. BAMFORD EXCAVATORS LIMITED**, Uttoxeter (GB)
- (72) Inventors: **Samuel John Jilbert**, Uttoxeter (GB);
Stewart Dicks, Uttoxeter (GB);
Alexander North, Uttoxeter (GB)
- (73) Assignee: **J.C. BAMFORD EXCAVATORS LIMITED**, Uttoxeter (GB)
- (**) Term: **15 Years**
- (21) Appl. No.: **29/662,667**
- (22) Filed: **Sep. 7, 2018**
- (30) **Foreign Application Priority Data**

7,467,722	B2 *	12/2008	Ramun	B66C 23/72	212/178
D587,285	S *	2/2009	Murakami	D15/28	
D664,569	S *	7/2012	Rupp	D15/28	
D678,358	S *	3/2013	Hiraoka	D15/28	
D678,359	S *	3/2013	Hagura	D15/28	
D680,136	S *	4/2013	Tsukamoto	D15/28	
D684,603	S *	6/2013	Hagura	D15/28	
D684,604	S *	6/2013	Saito	D15/28	
D693,858	S *	11/2013	Hagura	D15/28	
D723,069	S *	2/2015	Turner	D15/28	
D724,106	S *	3/2015	Gallagher	D15/28	
D725,157	S *	3/2015	Higuchi	D15/28	
D725,683	S *	3/2015	Payne	D15/31	
D726,229	S *	4/2015	Turner	D15/28	
D727,370	S *	4/2015	Payne	D15/31	
D728,639	S *	5/2015	Payne	D15/31	
D746,014	S *	12/2015	Rekow	D34/35	
D746,534	S *	12/2015	Rekow	D34/35	
D749,150	S *	2/2016	Payne	D15/31	
D749,646	S *	2/2016	Turner	D15/28	

(Continued)

Jun. 4, 2018 (EM) 004754265-0008

- (51) **LOC (12) Cl.** **15-03**
- (52) **U.S. Cl.**
USPC **D15/28**
- (58) **Field of Classification Search**
USPC D15/10, 22-29, 30, 33, 31; D34/34, 35;
296/193.03, 193.08; 172/611, 776;
180/69.24, 89.1, 89.12, 89.13, 900, 326;
37/443, 379; 414/601, 602, 685, 687,
414/688, 694, 722-724, 699, 680, 698,
414/719, 743
CPC E02F 9/18; B62D 49/085; B62D 49/08;
B66C 23/72; B66C 23/74
See application file for complete search history.

Primary Examiner — Mark A Goodwin

(74) *Attorney, Agent, or Firm* — Marshall, Gerstein & Borun LLP

(57) **CLAIM**

The ornamental design for an excavator, as shown and described.

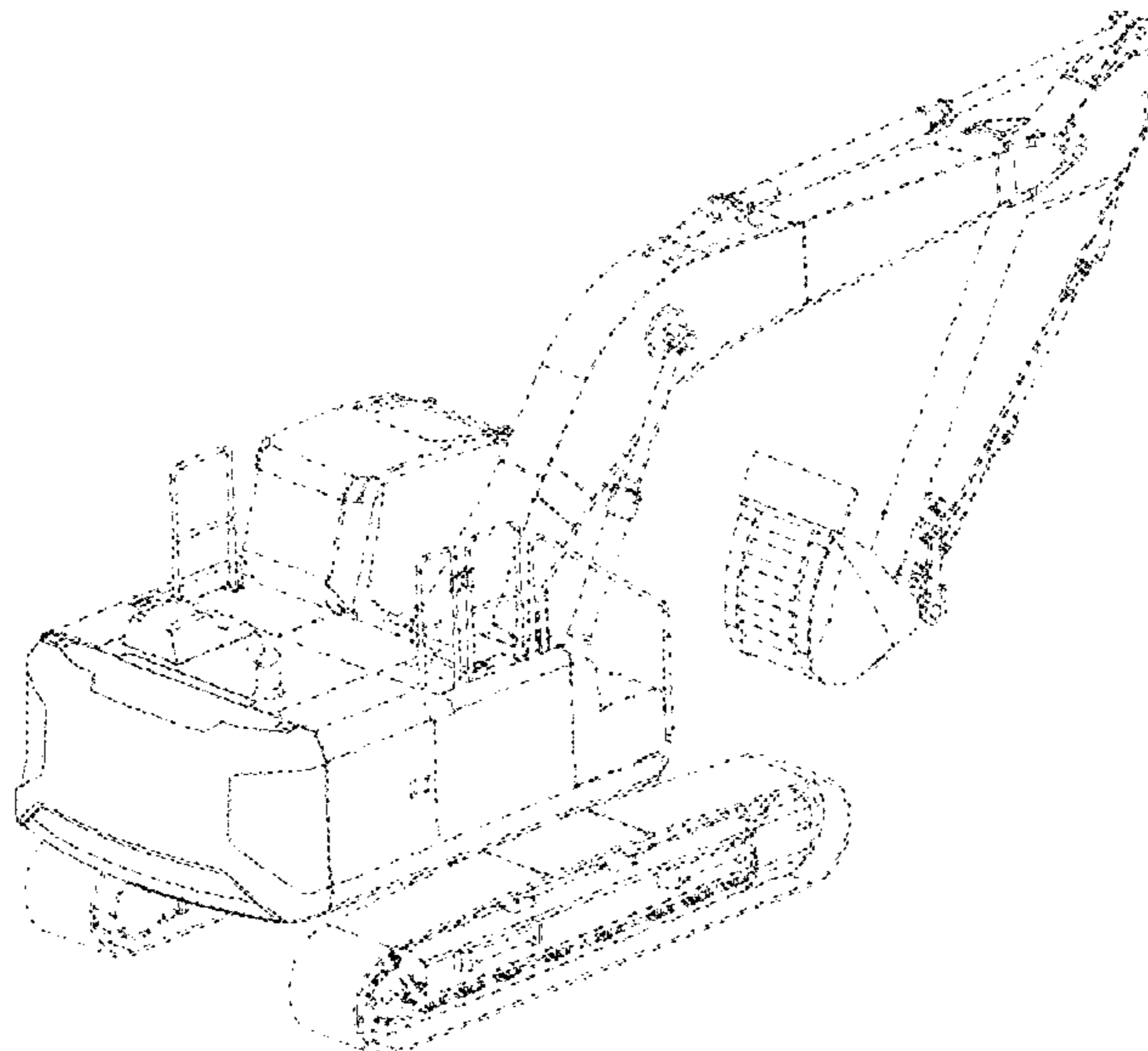
DESCRIPTION

FIG. 1 is a rear, left-side, and top view of an excavator, showing the new design.
 FIG. 2 is a right-side elevation view of the excavator.
 FIG. 3 is a top plan view of the excavator.
 FIG. 4 is a rear elevation view of the excavator.
 FIG. 5 is a front elevation view of the excavator.
 FIG. 6 is a left-side elevation view of the excavator; and,
 FIG. 7 is a bottom plan view of the excavator.
 The broken lines depict elements of the excavator that do not form part of the claimed design.

(56) **References Cited**
U.S. PATENT DOCUMENTS

D528,568	S *	9/2006	Kuwae	D15/28
D559,279	S *	1/2008	Sakitani	D15/28
D582,947	S *	12/2008	Ueta	D15/28

1 Claim, 7 Drawing Sheets



(56)

References Cited

U.S. PATENT DOCUMENTS

D797,159	S	*	9/2017	Yeu	D15/28
D813,917	S	*	3/2018	Smiley	D15/28
D847,213	S	*	4/2019	Kurosaka	D15/28
2004/0200100	A1	*	10/2004	Kojima	E02F 9/18
						37/348
2005/0012314	A1	*	1/2005	Kubo	B62D 49/085
						280/757

* cited by examiner

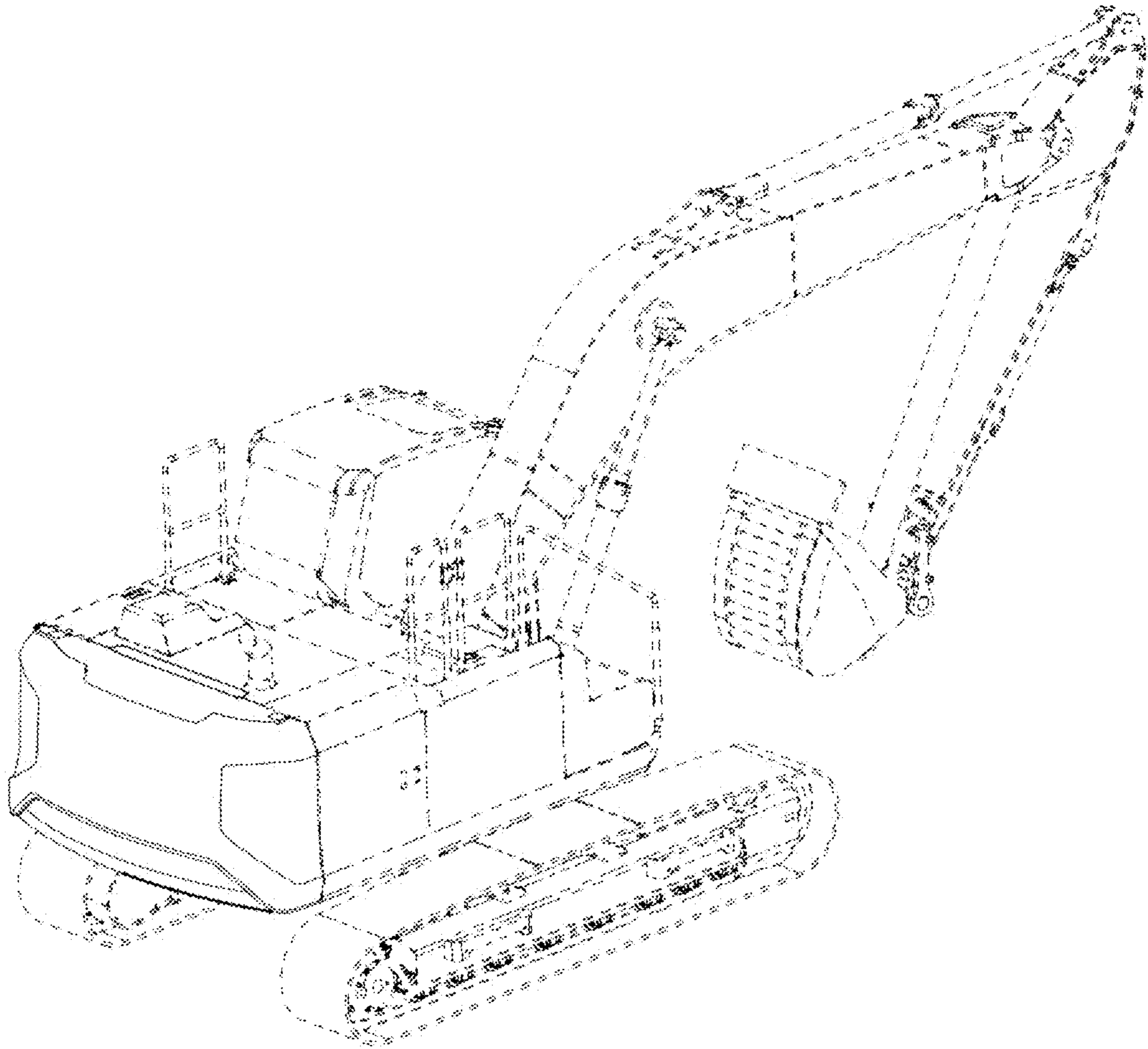


Fig. 1

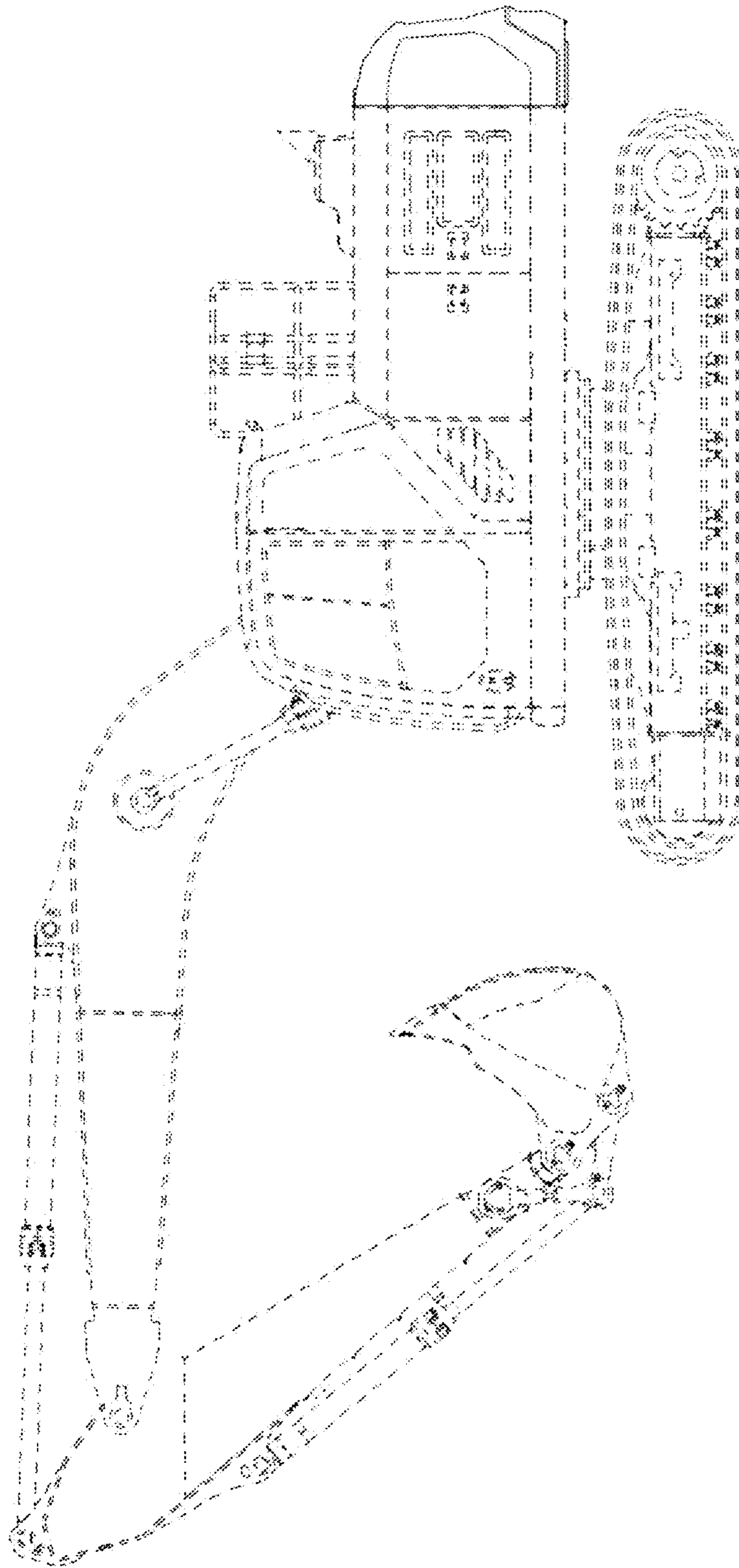


Fig. 2

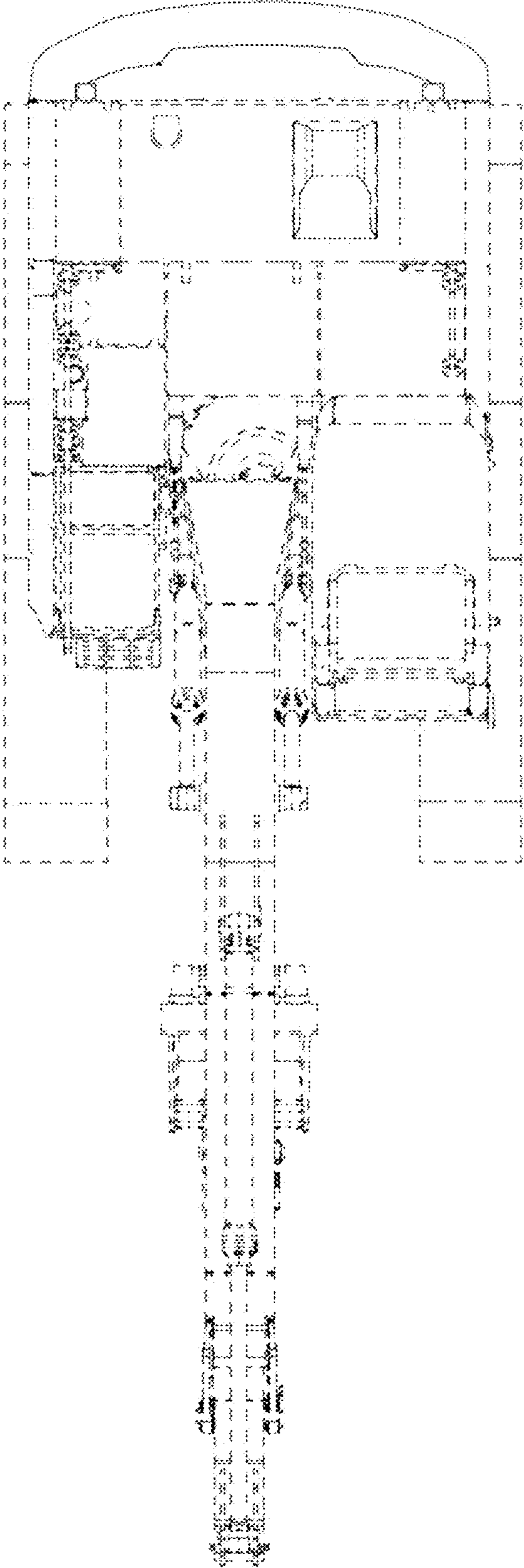


Fig. 3

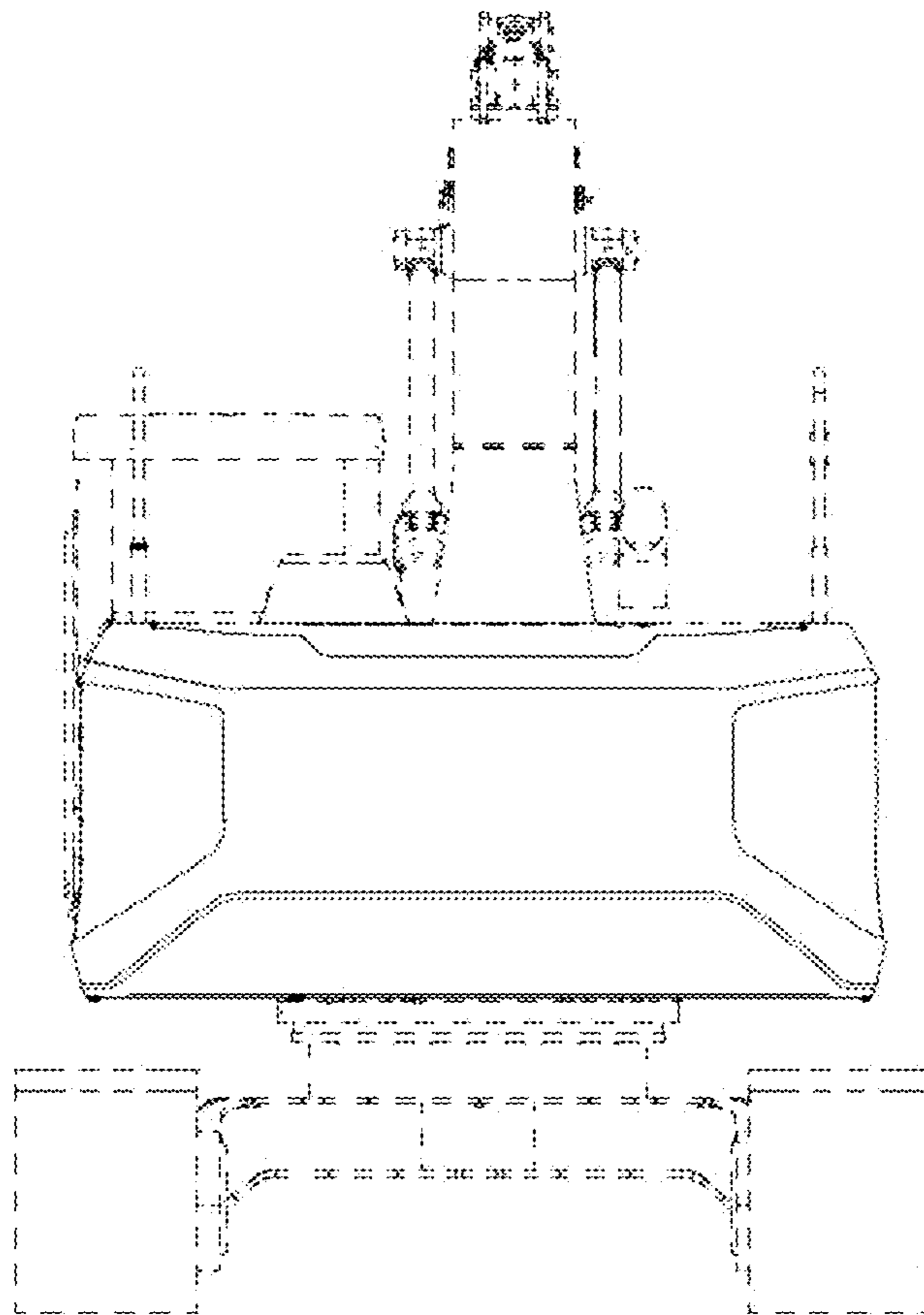


Fig. 4

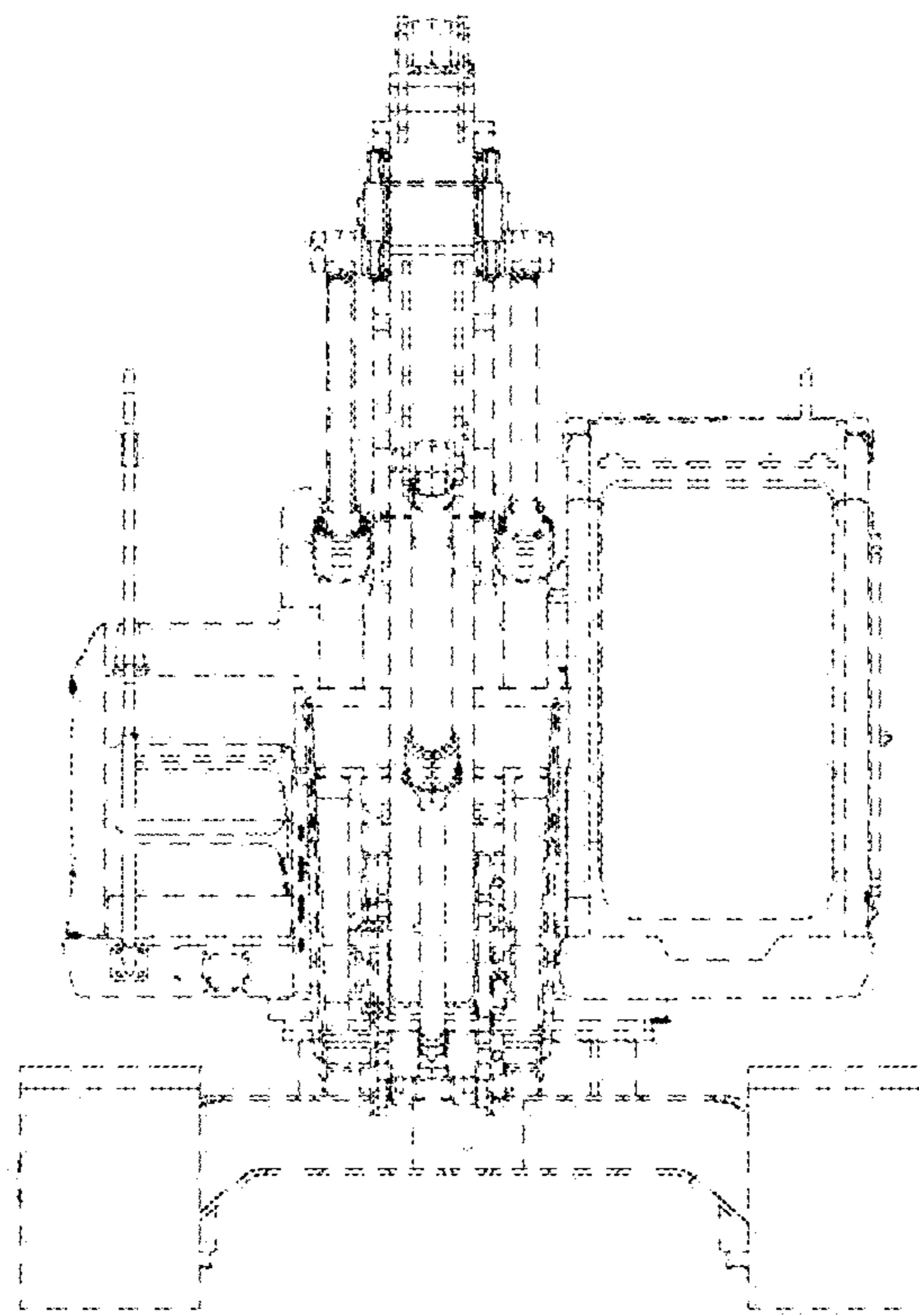


Fig. 5

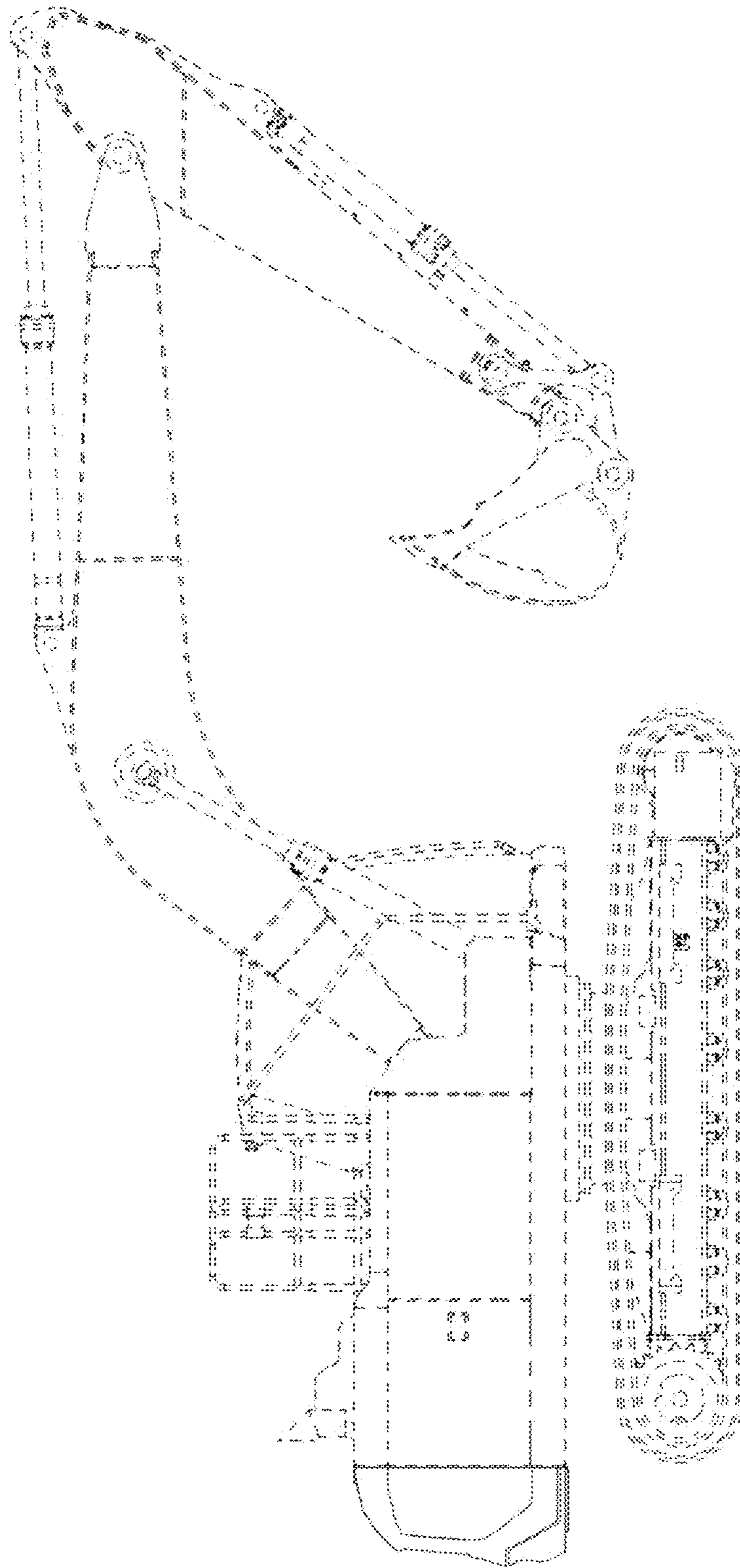


Fig. 6

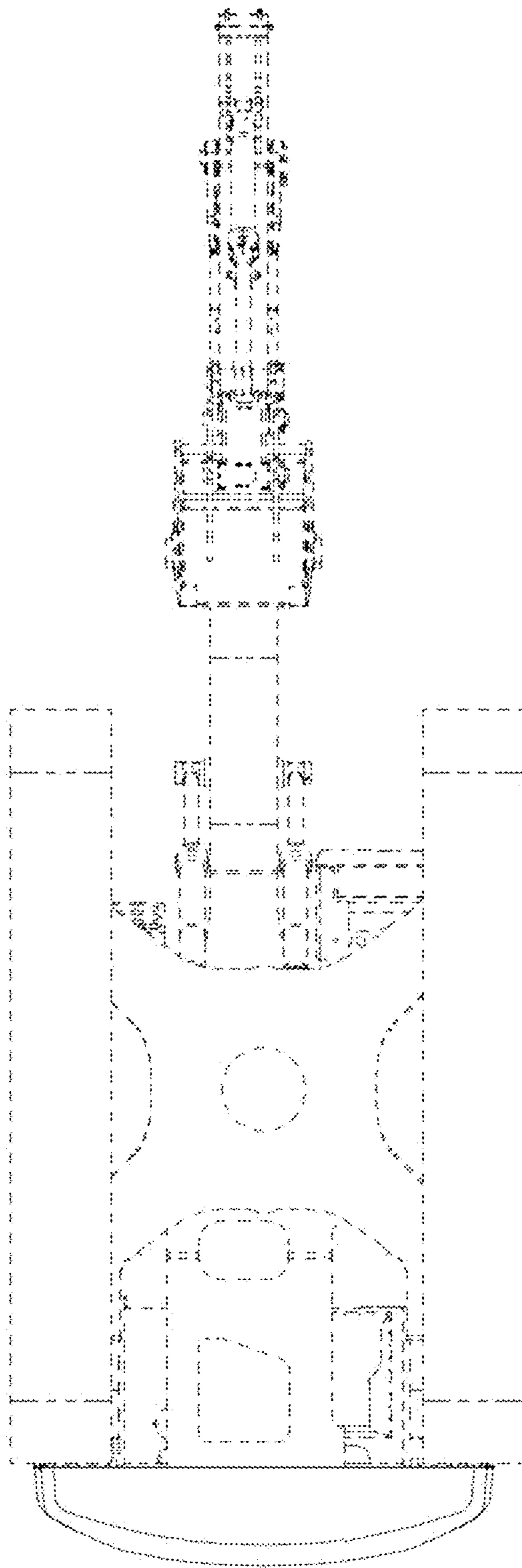


Fig. 7