



US00D868119S

(12) **United States Design Patent**  
**Kobler et al.**

(10) **Patent No.:** **US D868,119 S**

(45) **Date of Patent:** **\*\* Nov. 26, 2019**

(54) **TIRE INFLATOR**

(71) Applicant: **SPORT COMPONENTS AG**, Zurich  
(CH)

(72) Inventors: **Pius Kobler**, Zurich (CH); **Nico Spinelli**, Zurich (CH); **Arno Lenzi**, Zurich (CH)

(\*\*) Term: **15 Years**

(21) Appl. No.: **35/505,903**

(22) Filed: **Apr. 13, 2018**

(80) **Hague Agreement Data**

Int. Filing Date: **Apr. 13, 2018**

Int. Reg. No.: **DM/100730**

Int. Reg. Date: **Apr. 13, 2018**

Int. Reg. Pub. Date: **Oct. 19, 2018**

(51) **LOC (12) Cl.** ..... **15-02**

(52) **U.S. Cl.**

USPC ..... **D15/7**

CPC ..... **B60S 5/043** (2013.01)

(58) **Field of Classification Search**

USPC ..... D15/7-9; 417/60, 235, 265, 321, 355,  
417/358, 363, 359, 410.1, 415, 416, 405,  
417/900; D23/231, 232, 225

CPC ..... B60S 5/043; F17C 1/00

See application file for complete search history.

(56) **References Cited**

**U.S. PATENT DOCUMENTS**

D400,892 S \* 11/1998 Williams ..... D15/9

D405,097 S \* 2/1999 Wong ..... D15/7

D415,500 S *	10/1999	Poon	.....	D15/7
D451,521 S *	12/2001	Poon	.....	D15/7
D464,976 S *	10/2002	Krieger	.....	D15/9
D467,941 S *	12/2002	Duncan	.....	D15/7
D467,942 S *	12/2002	Duncan	.....	D15/7
D470,863 S *	2/2003	Williams	.....	D15/7
D487,899 S *	3/2004	Poon	.....	D15/7
D510,939 S *	10/2005	Nikolayev	.....	D15/9
D558,795 S *	1/2008	Saunders	.....	D15/7
D559,866 S *	1/2008	Saunders	.....	D15/7
D694,268 S *	11/2013	Ohm	.....	D15/7
D764,551 S *	8/2016	Fowler	.....	D15/7
D771,718 S *	11/2016	Liao	.....	D15/7
D805,108 S *	12/2017	Zhang	.....	D15/7
D805,109 S *	12/2017	Exley	.....	D15/7
D807,403 S *	1/2018	Lam	.....	D15/7
D817,364 S *	5/2018	He	.....	D15/7
D823,344 S *	7/2018	Malcolm	.....	D15/7
2018/0126963 A1 *	5/2018	Kobler	.....	B60S 5/043

\* cited by examiner

*Primary Examiner* — Richard E Chilcot

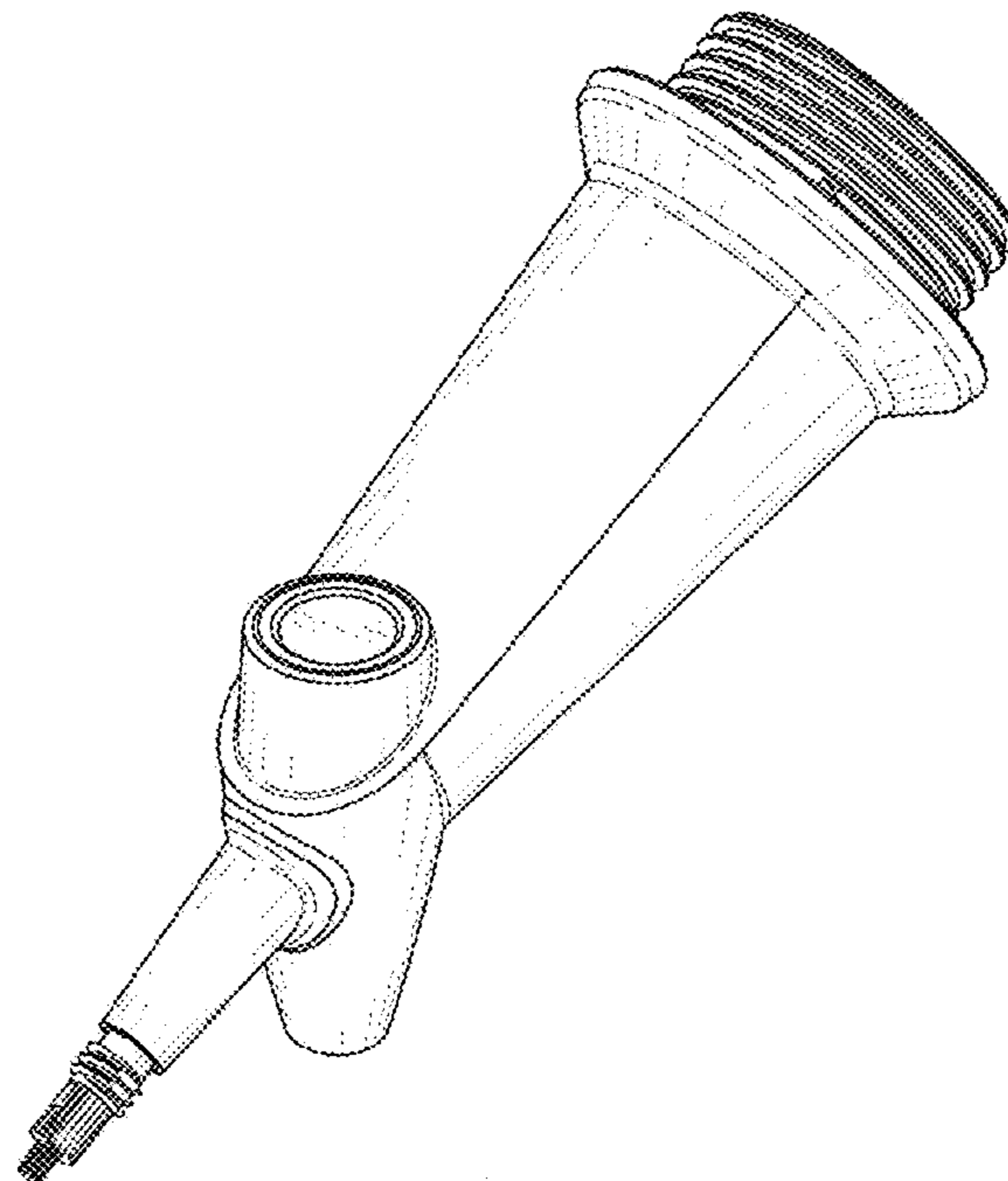
(57) **CLAIM**

The ornamental design for a tire inflator, as shown and described.

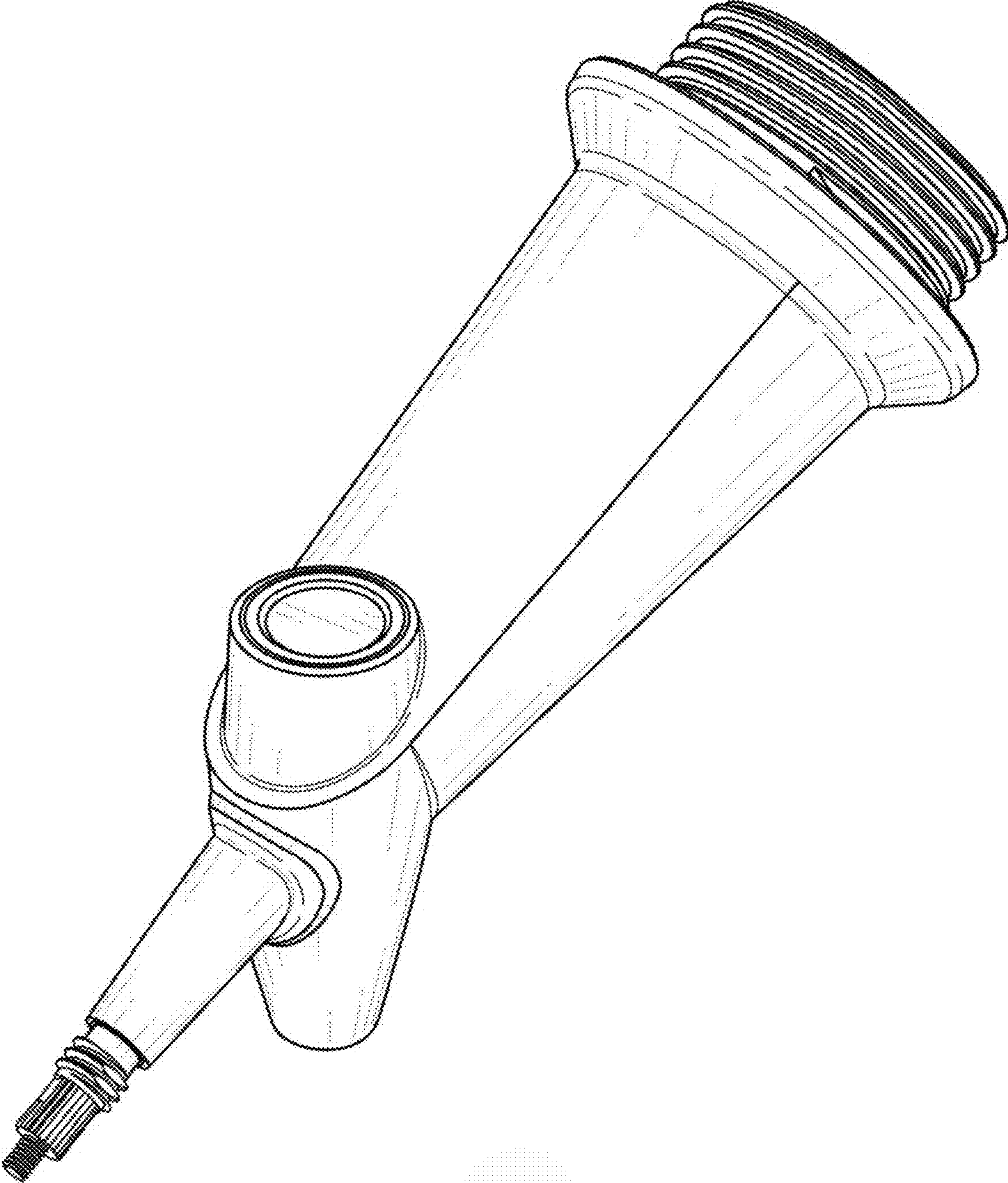
**DESCRIPTION**

- 1. Tire inflator
- 1.1 : Perspective
- 1.2 : Front
- 1.3 : Back
- 1.4 : Right
- 1.5 : Left
- 1.6 : Top
- 1.7 : Bottom

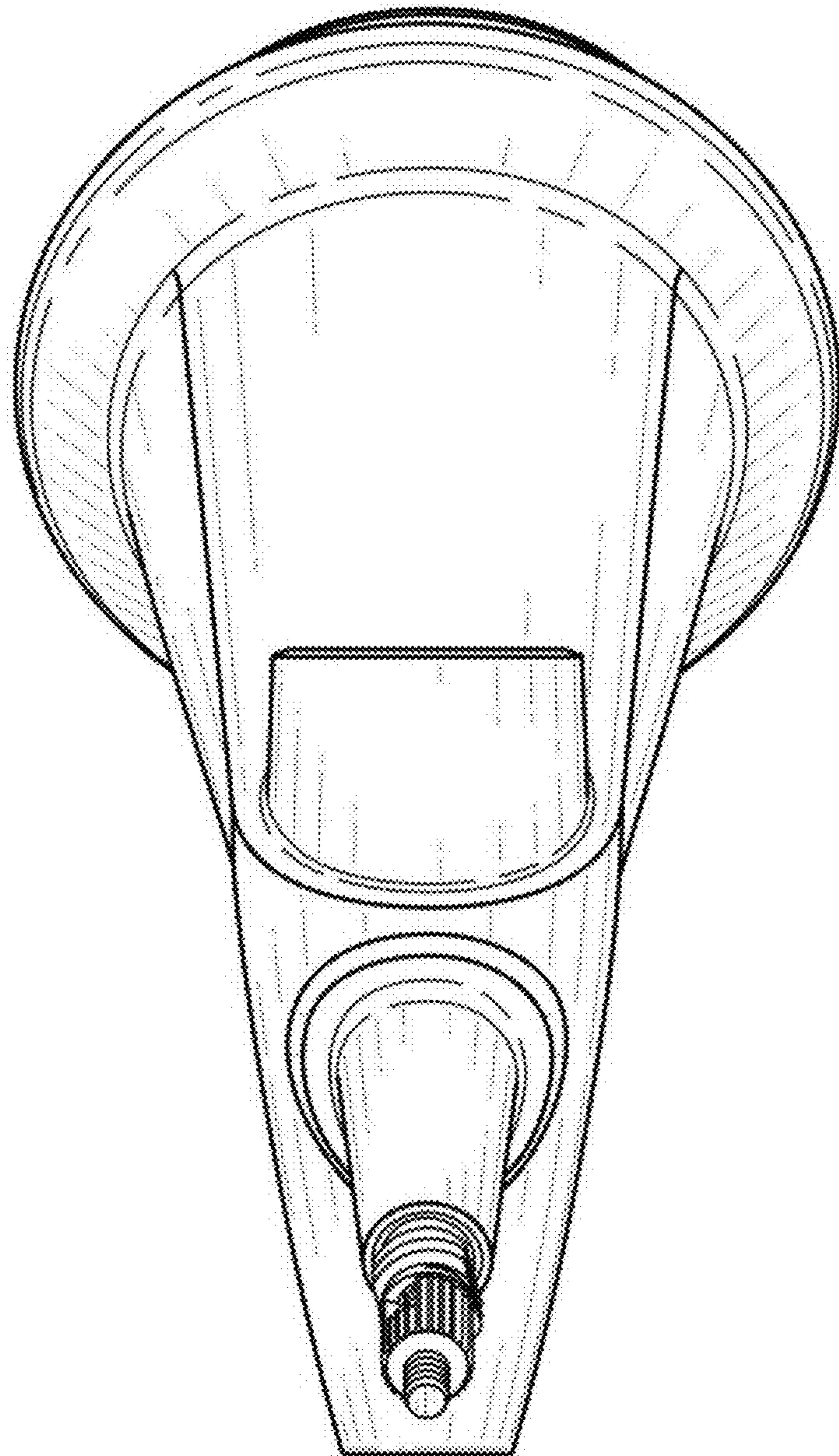
**1 Claim, 7 Drawing Sheets**



1.1

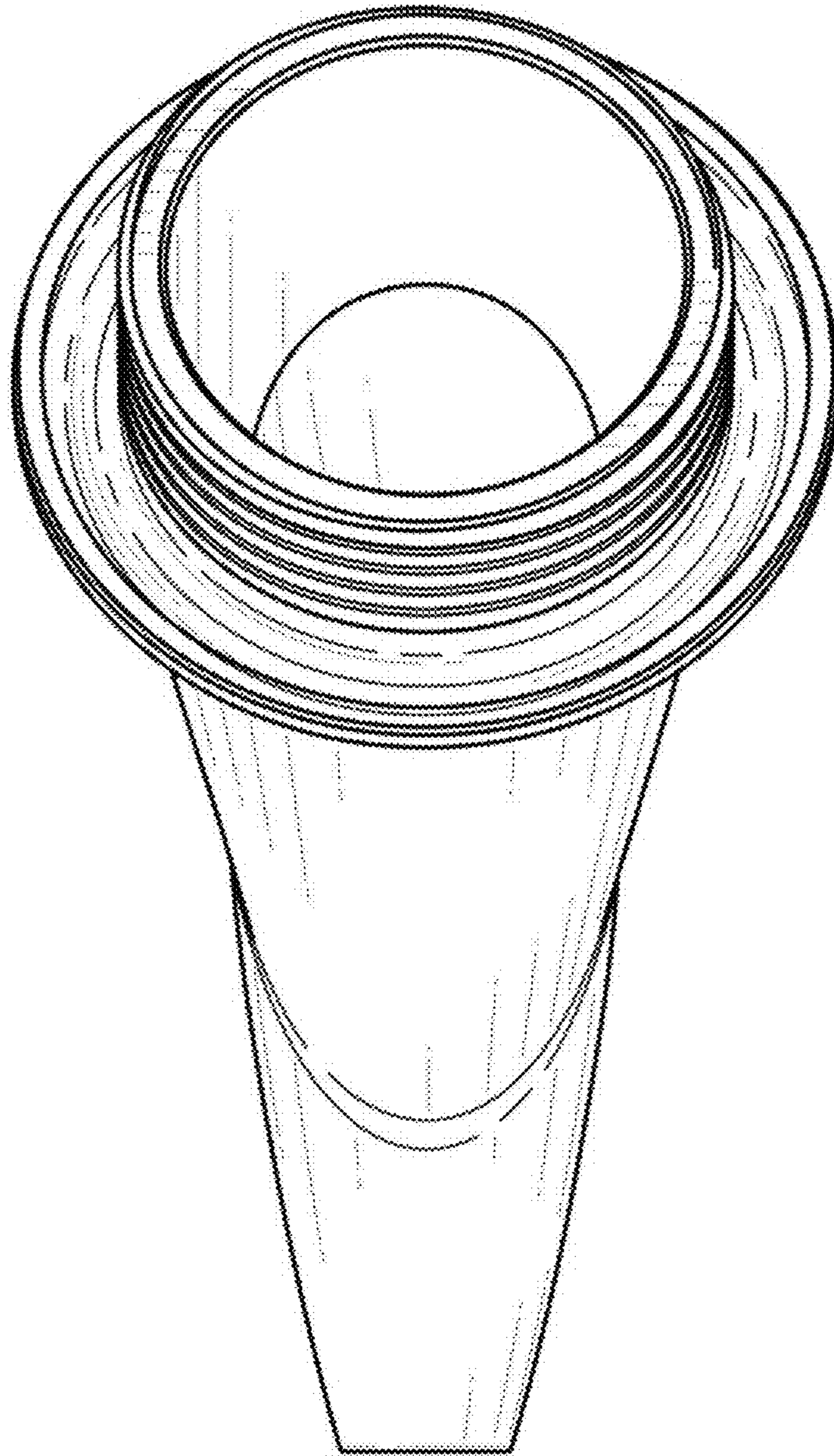


1.2

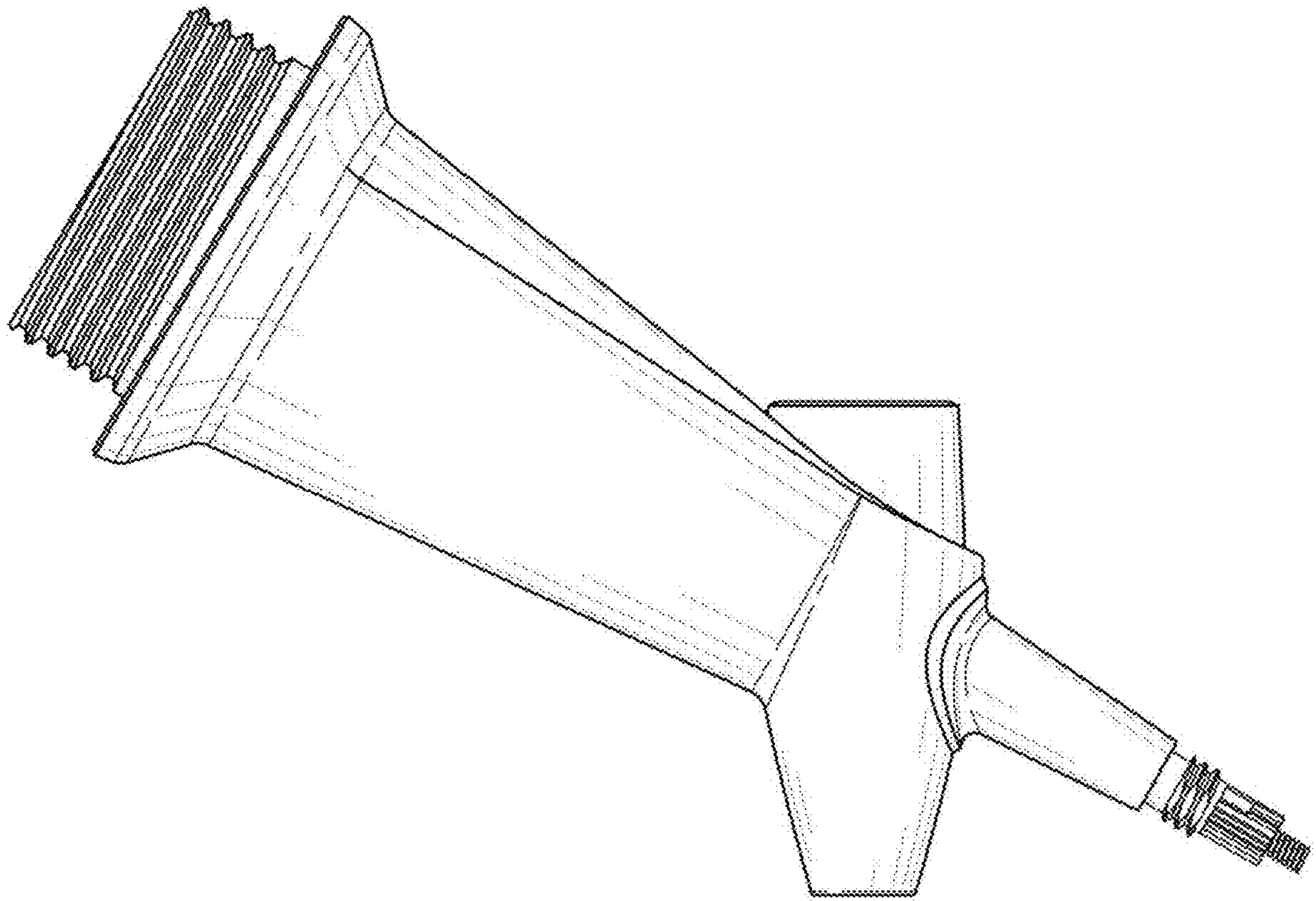




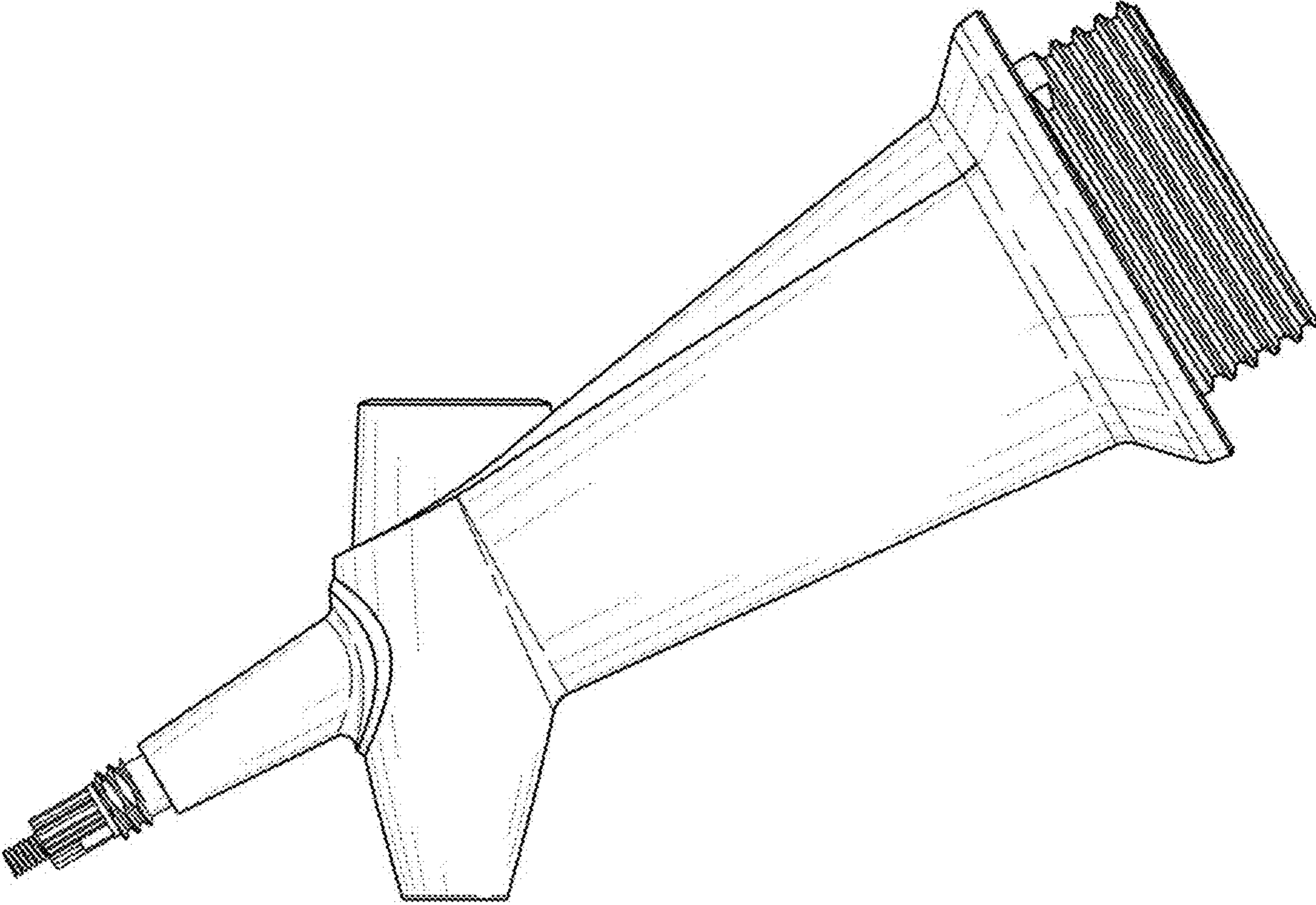
1.3



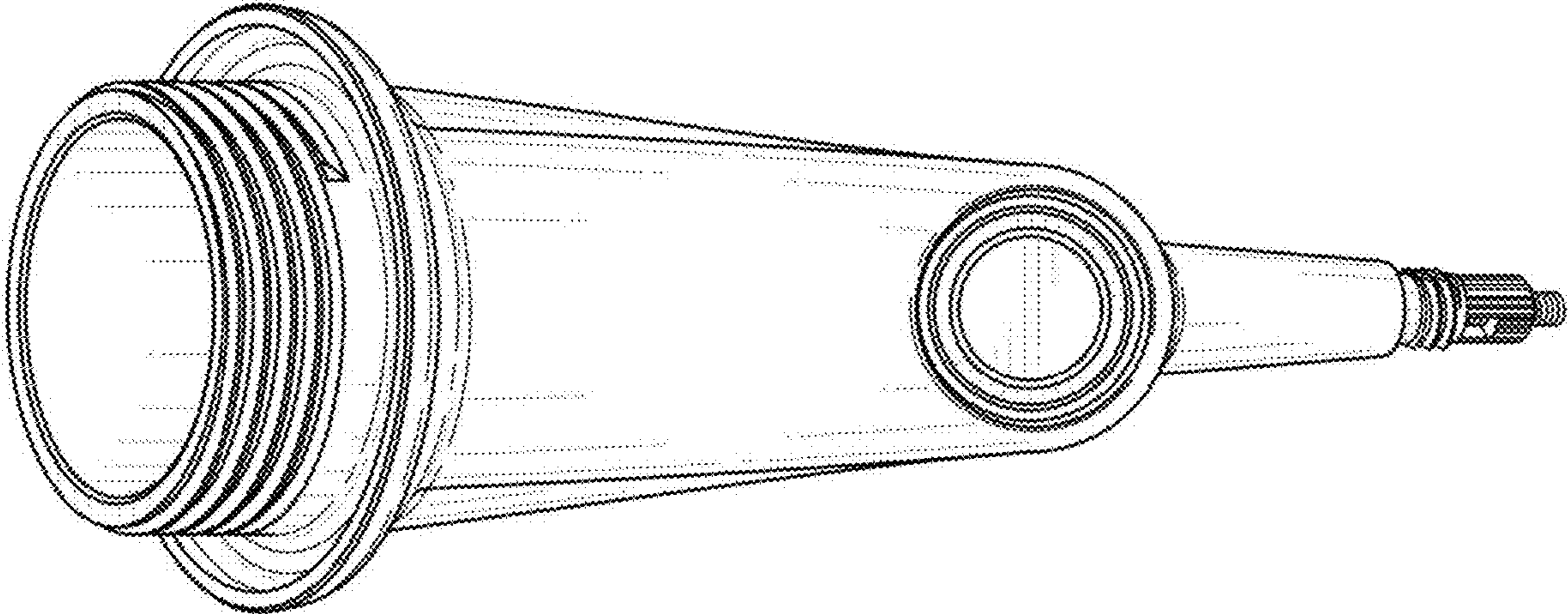
1.4



1.5



1.6





1.7

