



US00D868118S

(12) **United States Design Patent**
Tang

(10) **Patent No.:** **US D868,118 S**

(45) **Date of Patent:** **** Nov. 26, 2019**

(54) **WELD CYLINDER**

(71) Applicant: **TA TA SCIENCE AND TECHNOLOGY (NINGGUO) CO., LTD.**, Ningguo (CN)

(72) Inventor: **Kunjui Tang**, TaiNan (CN)

(73) Assignee: **TA TA SCIENCE AND TECHNOLOGY (NINGGUO) CO., LTD.**, Ningguo (CN)

(**) Term: **15 Years**

(21) Appl. No.: **29/667,680**

(22) Filed: **Oct. 24, 2018**

(51) **LOC (12) Cl.** **15-02**

(52) **U.S. Cl.**
USPC **D15/7; D15/144**

(58) **Field of Classification Search**
USPC D8/330–332, 339, 341, 400, 499; D15/7, D15/19–21, 74, 122, 126, 130–132, 139, D15/143, 144, 144.1, 144.2, 148
CPC F15B 15/24; F15B 15/1466
See application file for complete search history.

(56) **References Cited**

U.S. PATENT DOCUMENTS

2,556,979	A *	6/1951	Purcell	F15B 15/24
					92/13.6
2,587,182	A *	2/1952	Livers	F15B 15/24
					91/404
D184,544	S *	3/1959	Von Pressler	D15/138
D194,362	S *	1/1963	Prince	D15/28
3,168,853	A *	2/1965	Prince	F15B 15/24
					91/167 R
3,309,116	A *	3/1967	Johnson	F15B 15/24
					403/108
D293,877	S *	1/1988	Fadini	D8/330
D428,795	S *	8/2000	Wyers	D8/341
D444,050	S *	6/2001	Wyers	D8/341

D458,118	S *	6/2002	Pfister	D8/400
D615,844	S *	5/2010	Wiora	D8/343
D619,626	S *	7/2010	Mihashi	D15/143
D621,424	S *	8/2010	Mihashi	D15/143
D621,425	S *	8/2010	Mihashi	D15/143
D624,561	S *	9/2010	Yu	D15/7
D652,286	S *	1/2012	Mair	D8/356
D712,955	S *	9/2014	Hrbacek	D16/237
D743,664	S *	11/2015	Schlothauer	D34/28
D780,228	S *	2/2017	Kudo	D15/7
D780,229	S *	2/2017	Kudo	D15/7
D800,193	S *	10/2017	Pelini	D15/148
D861,041	S *	9/2019	Morita	D15/7
D861,042	S *	9/2019	Morita	D15/7

FOREIGN PATENT DOCUMENTS

CN 2018-513785 * 6/2018

* cited by examiner

Primary Examiner — Brett Miller

Assistant Examiner — Fritzgerald L Butac

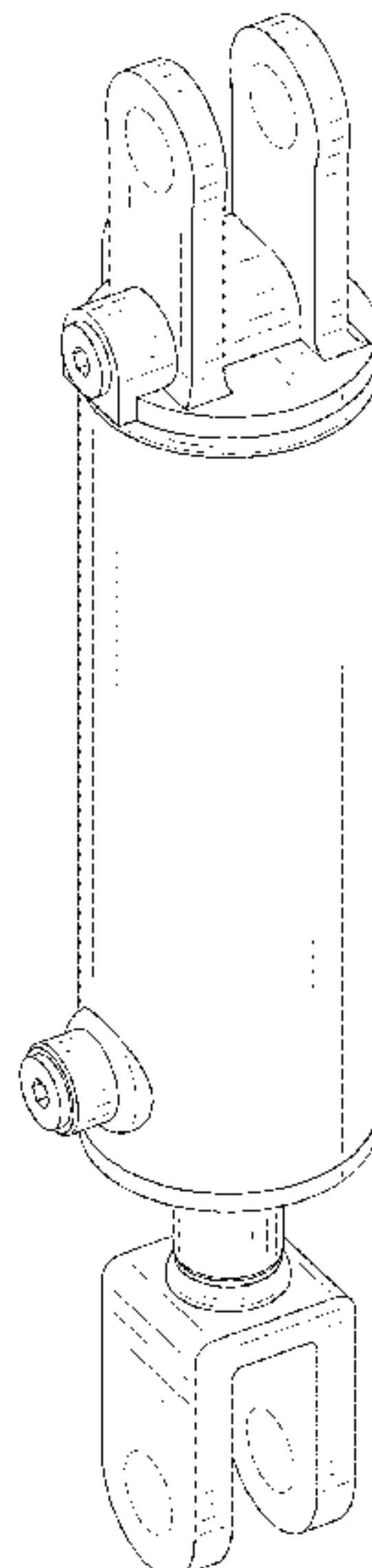
(57) **CLAIM**

The ornamental design for a weld cylinder, as shown and described.

DESCRIPTION

FIG. 1 is a perspective view of a weld cylinder showing my new design;
 FIG. 2 is another perspective view thereof;
 FIG. 3 is a front elevational view thereof;
 FIG. 4 is a rear elevational view thereof;
 FIG. 5 is a left side elevational view thereof;
 FIG. 6 is a right side elevational view thereof;
 FIG. 7 is a top plan view thereof; and,
 FIG. 8 is a bottom plan view thereof.
 The broken lines in the drawings are for the purpose of illustrating portions of the weld cylinder and form no part of the claimed design.

1 Claim, 8 Drawing Sheets



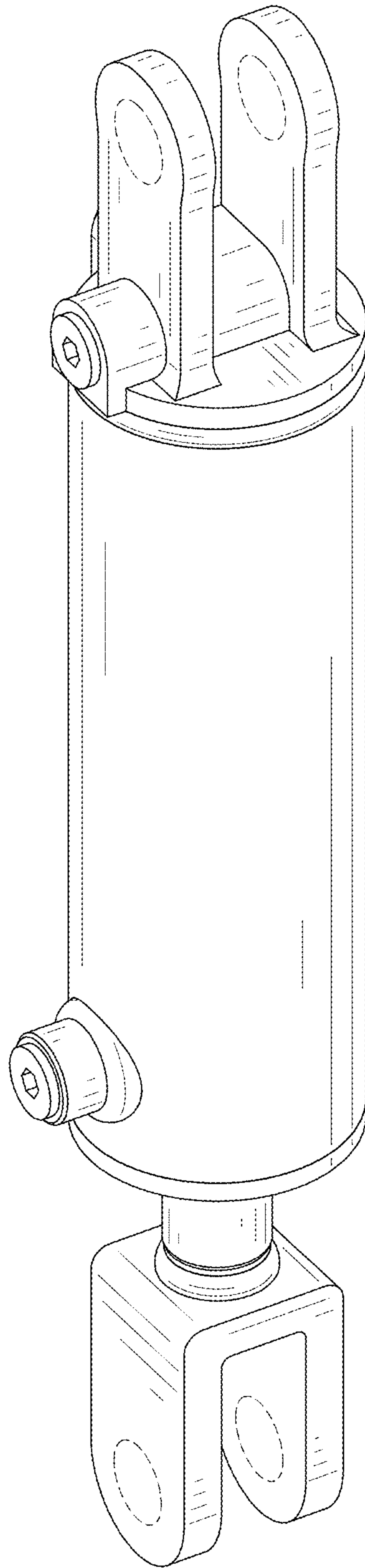


FIG. 1

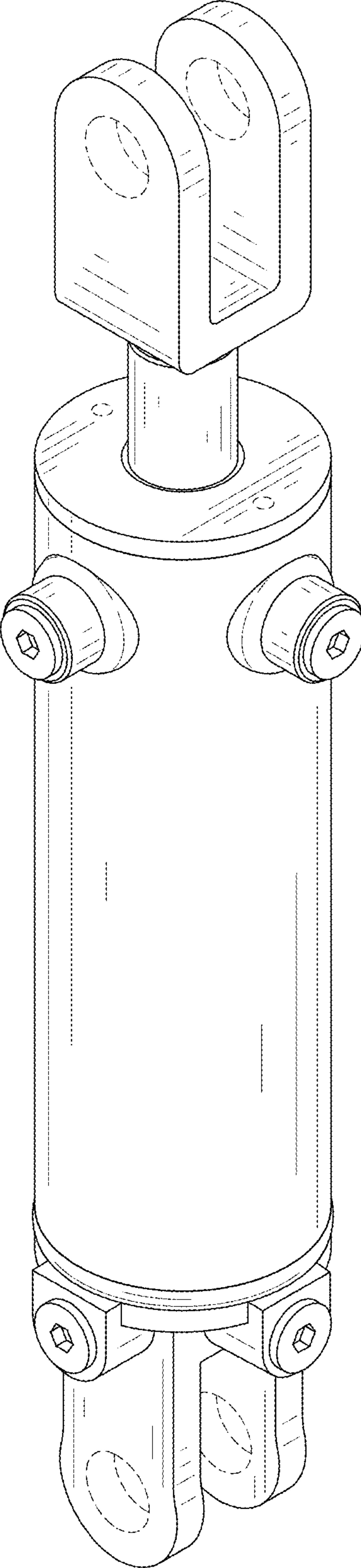


FIG. 2

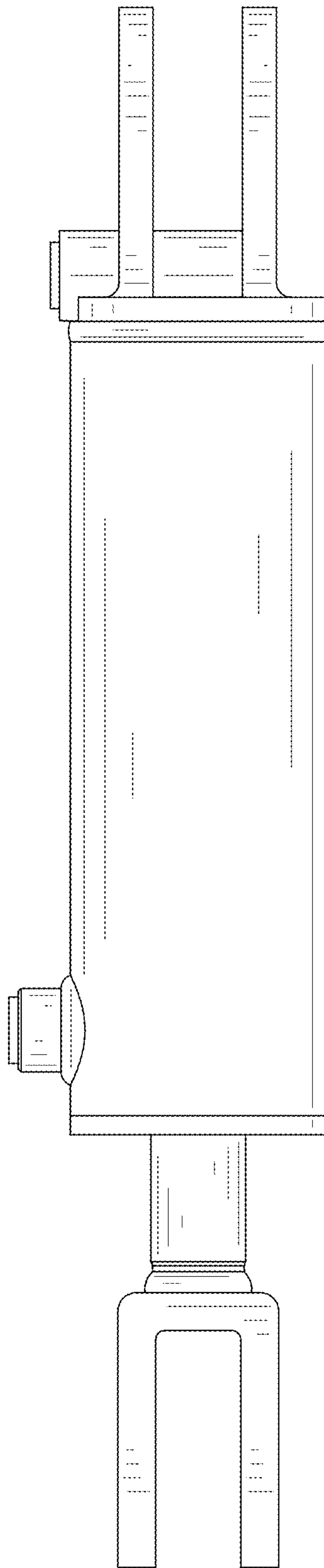


FIG. 3

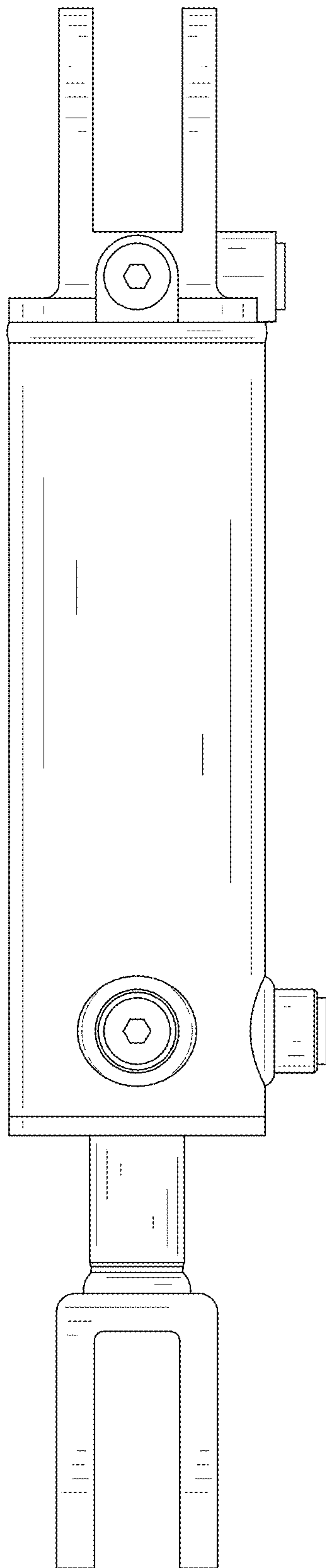


FIG. 4

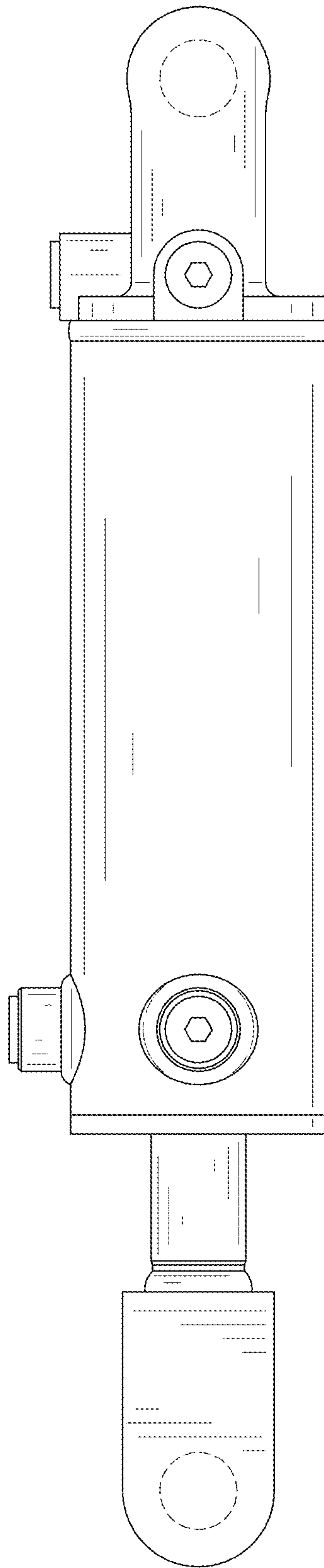


FIG. 5

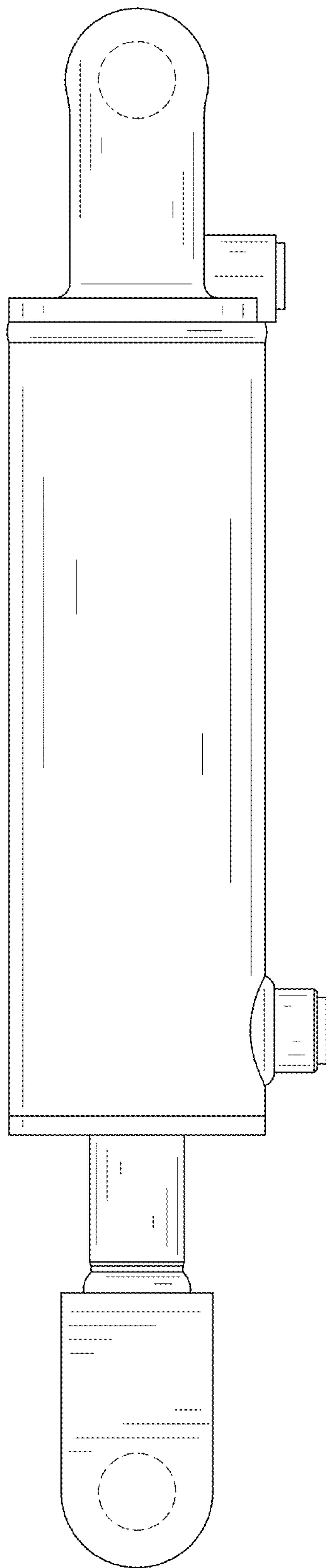


FIG. 6

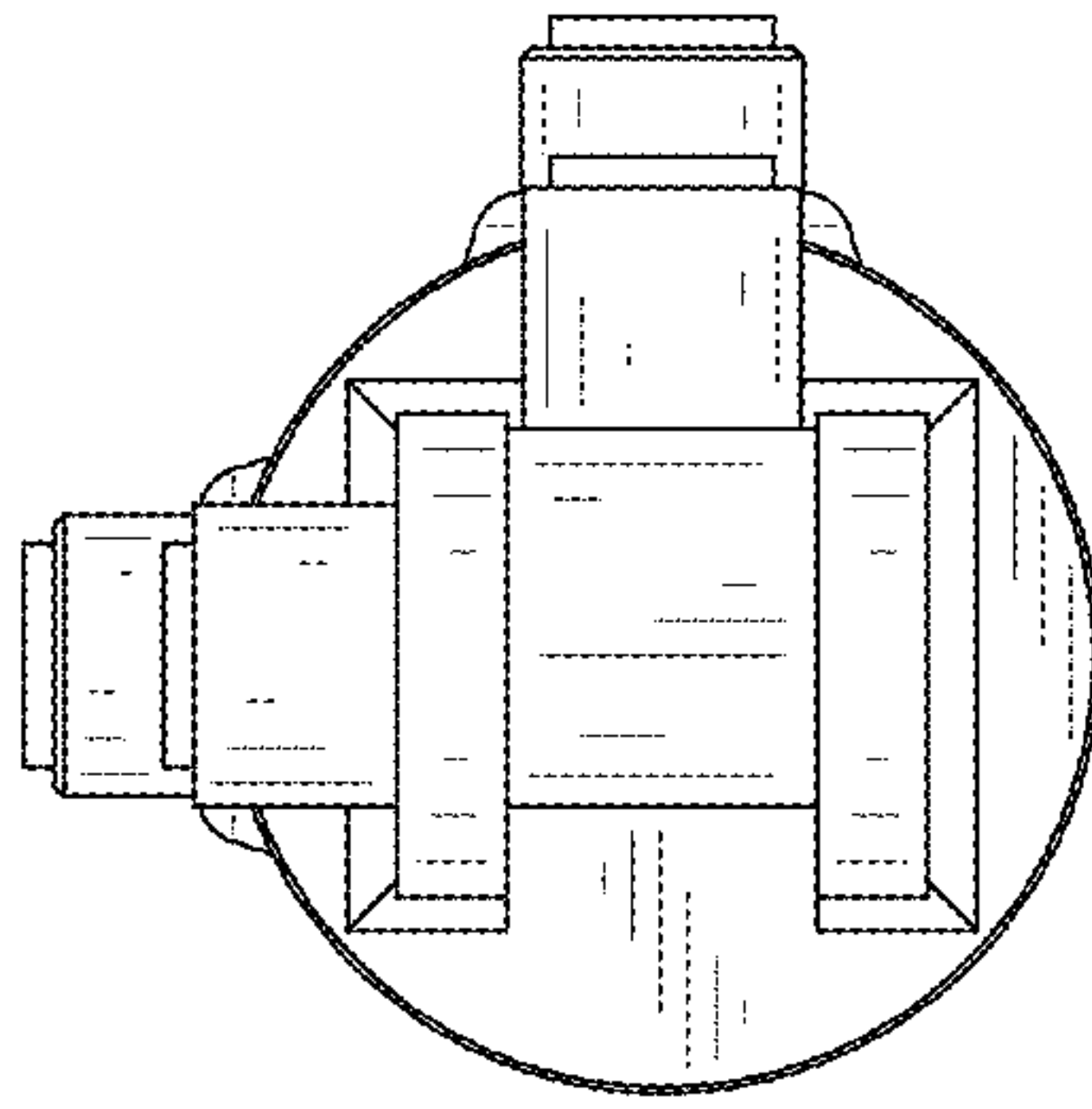


FIG. 7

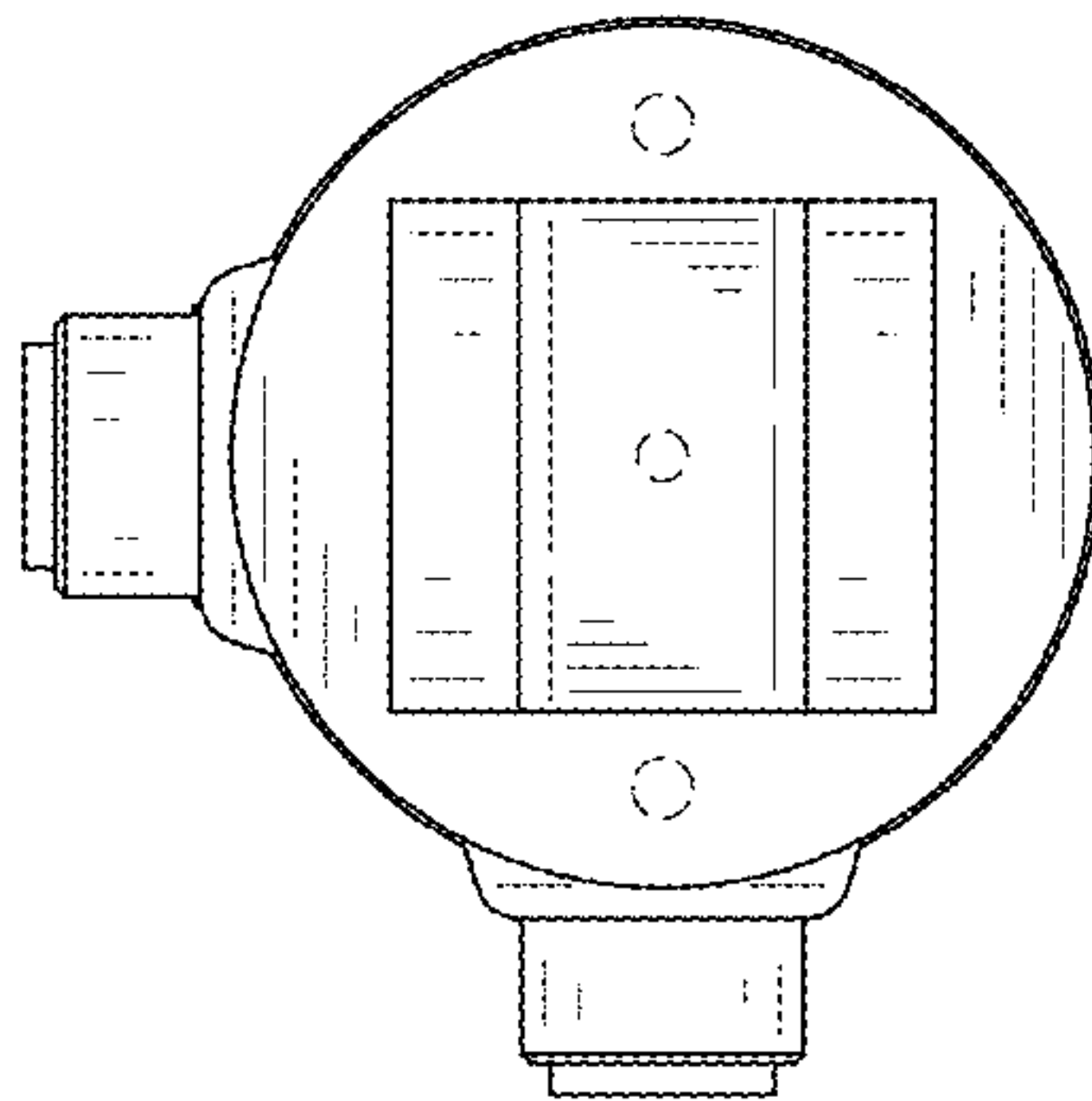


FIG. 8