



US00D868117S

(12) **United States Design Patent** (10) **Patent No.:** **US D868,117 S**
Mayleben et al. (45) **Date of Patent:** **** Nov. 26, 2019**

- (54) **PUMP COMPONENT**
- (71) Applicant: **Wayne/Scott Fetzer Company**,
Westlake, OH (US)
- (72) Inventors: **Philip Anthony Mayleben**, Brookville,
IN (US); **Buford Alan Cooper**,
Sunman, IN (US)
- (73) Assignee: **Wayne/Scott Fetzer Company**,
Westlake, OH (US)
- (**) Term: **15 Years**
- (21) Appl. No.: **29/599,602**
- (22) Filed: **Apr. 5, 2017**
- (51) **LOC (12) Cl.** **15-03**
- (52) **U.S. Cl.**
USPC **D15/7**
- (58) **Field of Classification Search**
USPC D15/7-9
CPC F02M 37/04; F02M 37/14; F04B 53/92;
F04B 1/005; F04D 13/06; F04D 29/22;
F04D 29/046; F04D 29/2266
See application file for complete search history.

5,181,841 A 1/1993 Kirkland
5,205,725 A 4/1993 Pattison
5,246,336 A 9/1993 Furukawa
(Continued)

OTHER PUBLICATIONS

Blue Angel Pump Company, Blue Angel Catalog, 2018, 34 pp.
Blue Angel Pump Company, Blue Angel Catalog, Oct. 2015, 39 pp.
Wayne Water Systems, Wayne Catalog, Oct. 2014, 52 pp.

Primary Examiner — Khawaja Anwar

(74) *Attorney, Agent, or Firm* — Fitch, Even, Tabin & Flannery LLP

(57) **CLAIM**

We claim the ornamental design for a pump component, as shown and described.

DESCRIPTION

FIG. 1 is a top perspective view of a pump component in accordance with an embodiment of our new design;
FIG. 2 is a front elevation view thereof;
FIG. 3 is a rear elevation view thereof;
FIG. 4 is a right side elevation view thereof;
FIG. 5 is a left side elevation view thereof;
FIG. 6 is a top view thereof; and,
FIG. 7 is a bottom view thereof.

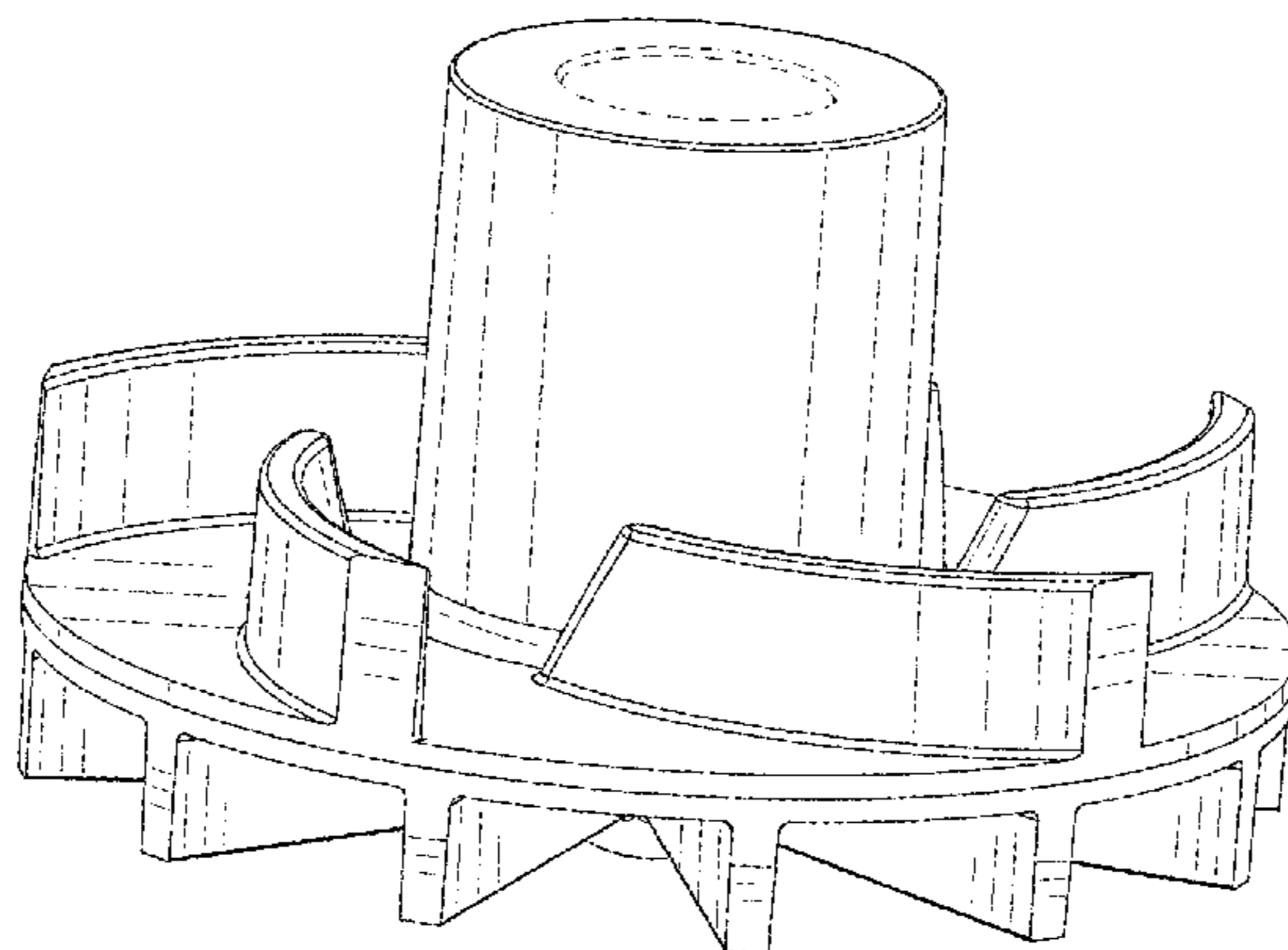
Any portions of the pump component shown in broken lines in the figures depict unclaimed environmental subject matter, are for illustrative purposes only, and form no part of the claimed design. Similarly, unshaded portions that appear between broken lines or beyond boundary or break lines in the figures form no part of the claimed design and indicate that a specific width, height and/or length forms no part of the claimed design.

It will be understood that all lines in the drawings, including broken and solid lines, are intended to convey the full disclosure and variations of the designs and such variations shall be understood to be fully described herein.

1 Claim, 4 Drawing Sheets

(56) **References Cited**
U.S. PATENT DOCUMENTS

2,143,032 A	1/1939	Ruthman
2,207,183 A	7/1940	Thrush
2,736,266 A	2/1956	Eisele
2,766,697 A	10/1956	Judd
2,787,960 A	4/1957	Wightman
2,808,782 A	10/1957	Thompson
3,260,214 A	7/1966	Goettl
3,936,240 A	2/1976	Dochterman
4,563,123 A	1/1986	Beck
4,728,256 A	3/1988	Araoka
4,820,131 A	4/1989	Johnson
4,961,018 A	10/1990	Akhter
5,055,000 A	10/1991	Akhter
5,145,337 A	9/1992	Kirkland



(56)

References Cited

U.S. PATENT DOCUMENTS

6,375,430	B1	4/2002	Eckert	
6,443,715	B1	9/2002	Mayleben	
6,464,531	B2	10/2002	Eckert	
6,514,053	B2	2/2003	Takura	
6,619,910	B1	9/2003	Burgess	
6,676,382	B2	1/2004	Leighton	
6,824,350	B2	11/2004	Pares Criville	
7,153,418	B2	12/2006	Mauro, Sr.	
7,329,085	B2	2/2008	Walker	
7,357,341	B2	4/2008	Gutwein	
D583,391	S *	12/2008	Metcalfe	D15/7
7,544,041	B2	6/2009	Mayleben	
7,810,362	B2	10/2010	Harwood	
8,380,355	B2	2/2013	Mayleben	
8,439,642	B2	5/2013	Scott	
8,511,998	B2	8/2013	Burgess	
8,622,706	B2	1/2014	Burgess	
9,212,443	B2	12/2015	Harwood	
D762,840	S *	8/2016	Wilkins	D15/7
D778,958	S *	2/2017	Naruoka	D15/5
D805,559	S *	12/2017	Kudo	D15/7
D847,861	S *	5/2019	Wilkins	D15/7
D847,862	S *	5/2019	Wilkins	D15/7
2014/0044545	A1	2/2014	Burgess	
2015/0267712	A1 *	9/2015	Boening	F04D 29/403 415/213.1
2015/0354359	A1 *	12/2015	Matsuda	F02B 39/00 416/204 A
2016/0076551	A1 *	3/2016	Saito	F04D 29/284 415/206
2017/0321705	A1 *	11/2017	Leal	F04D 17/165
2018/0112673	A1 *	4/2018	Manninen	F04D 1/00
2018/0180058	A1 *	6/2018	Hayamitsu	F04D 17/06

* cited by examiner

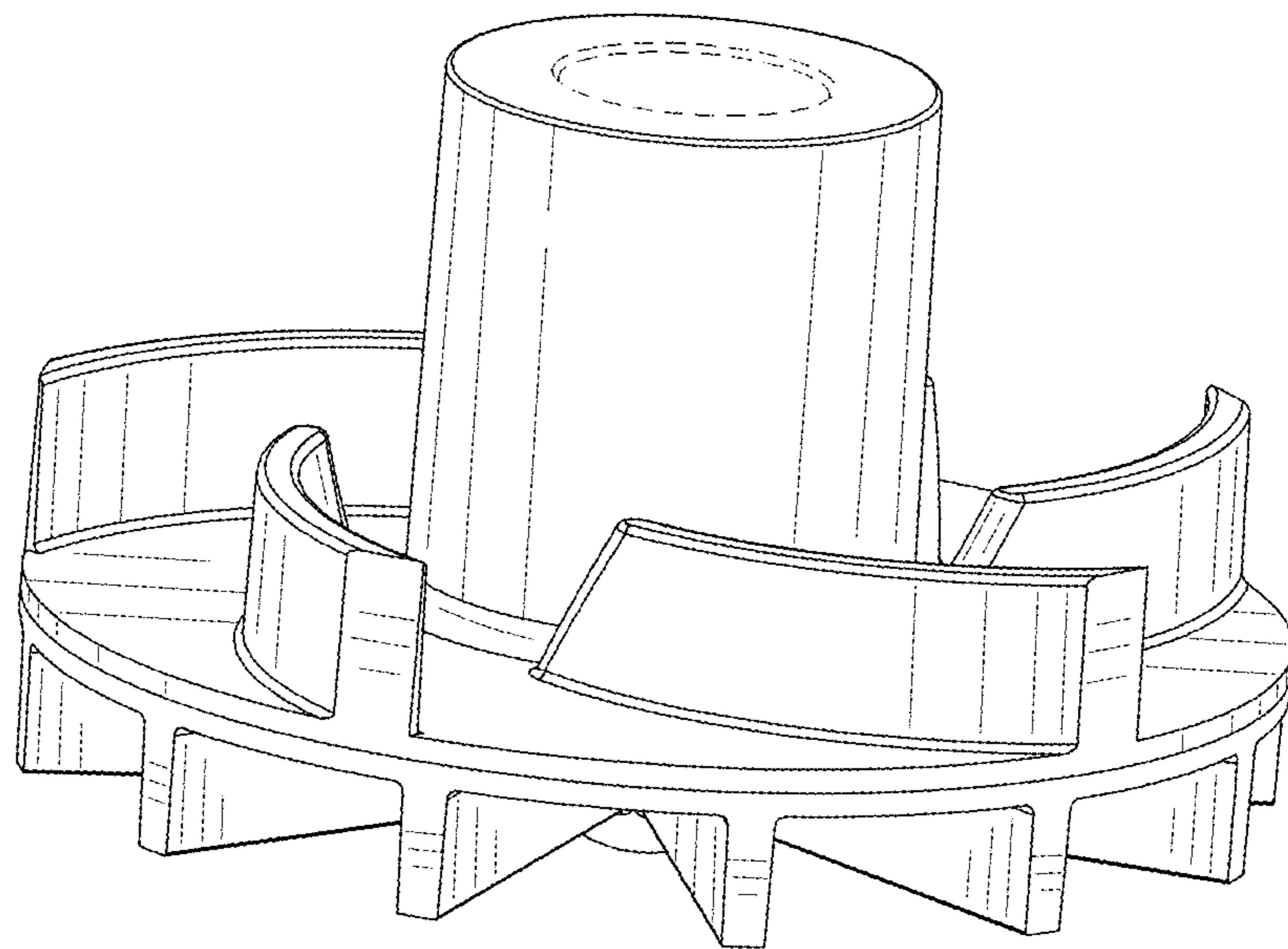


FIG. 1

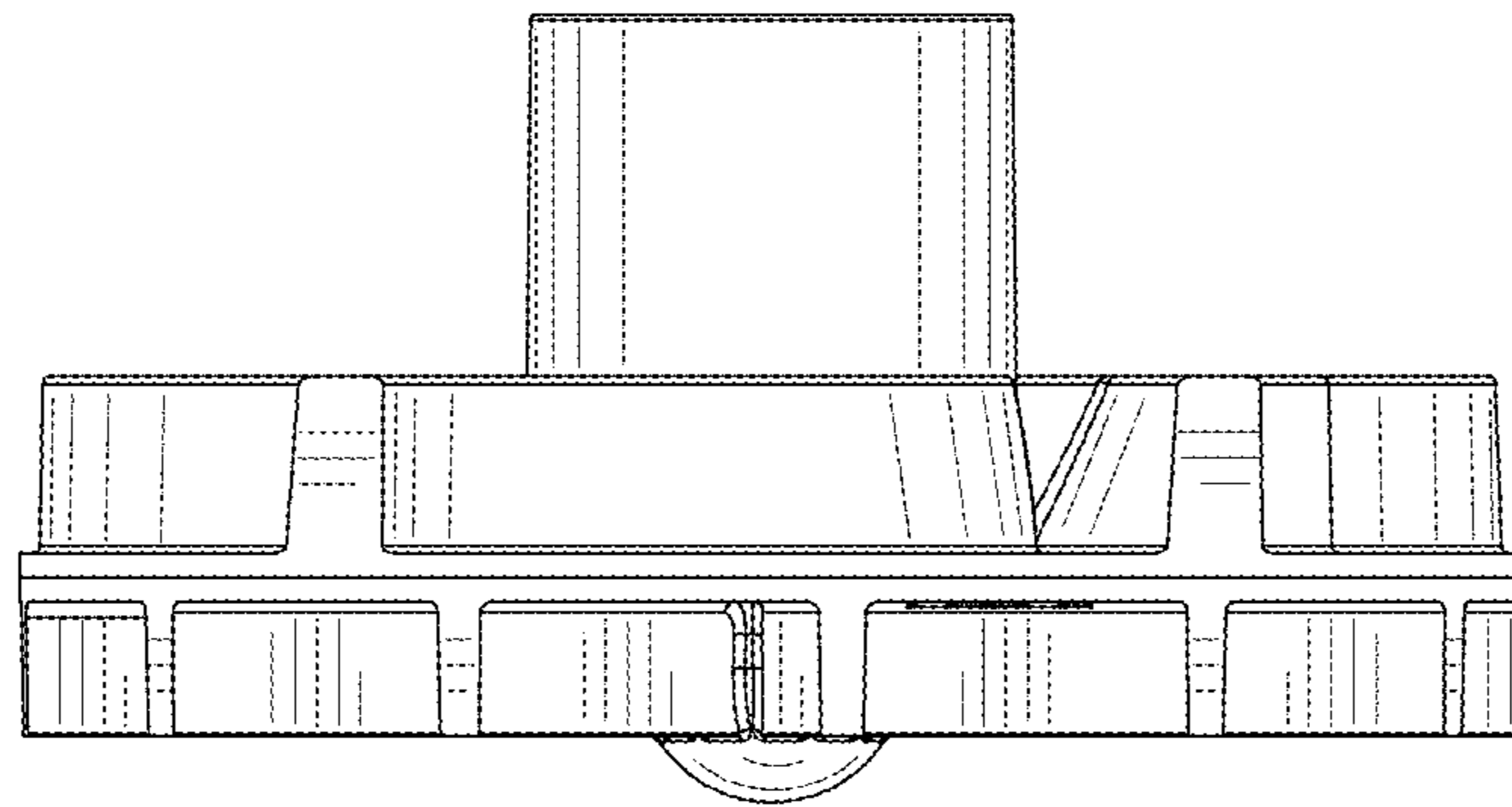


FIG. 2

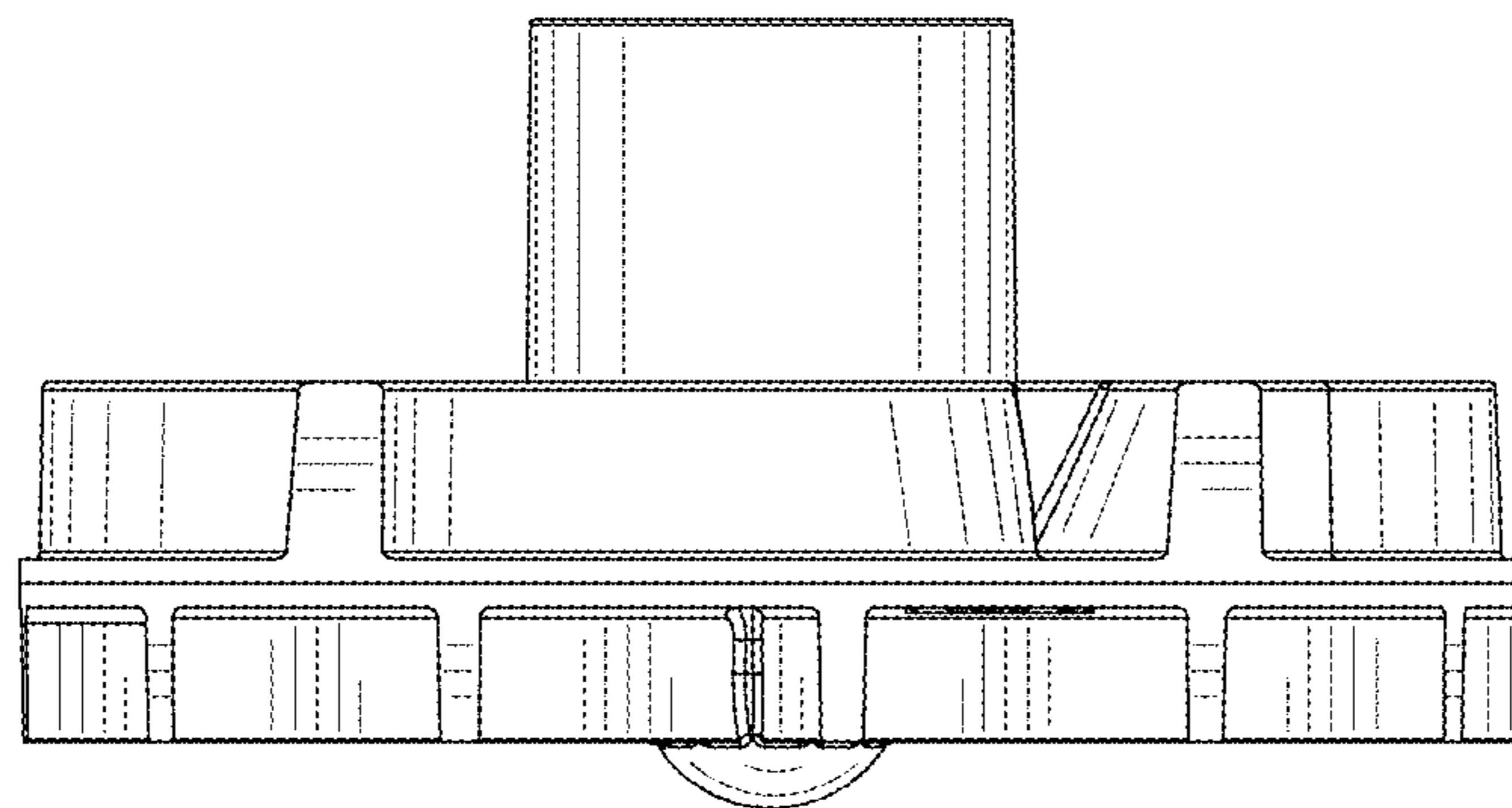


FIG. 3

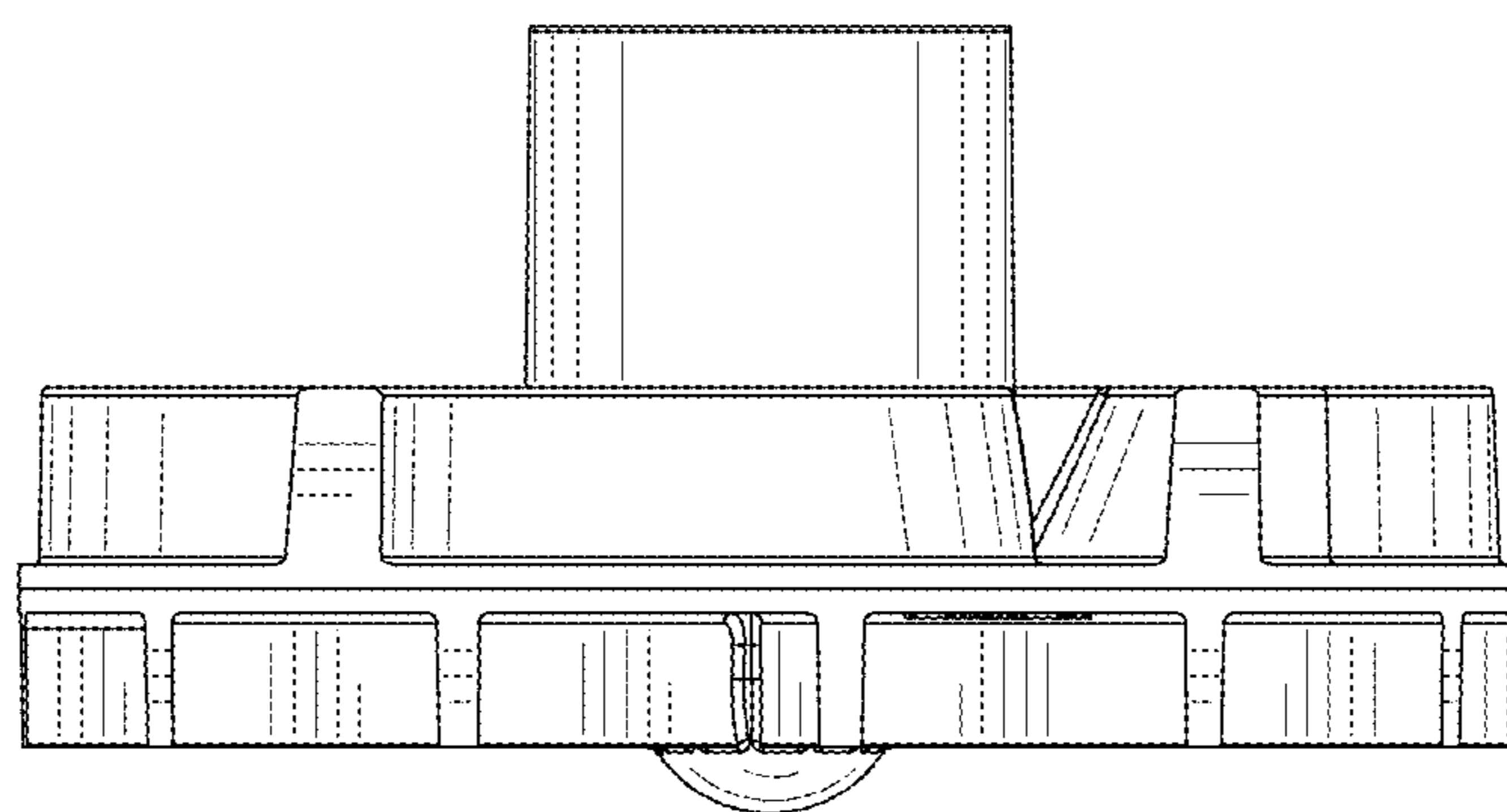


FIG. 4

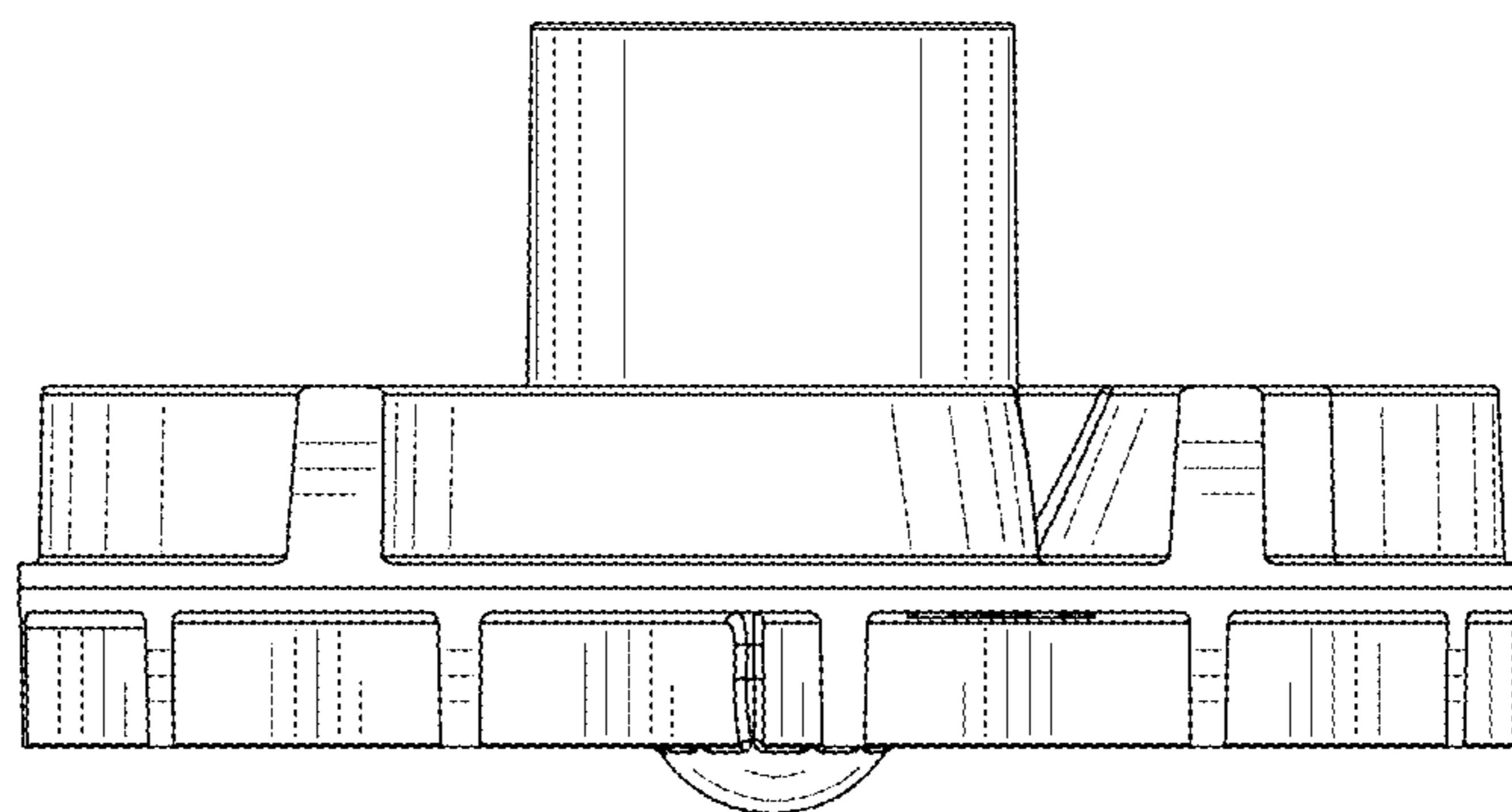


FIG. 5

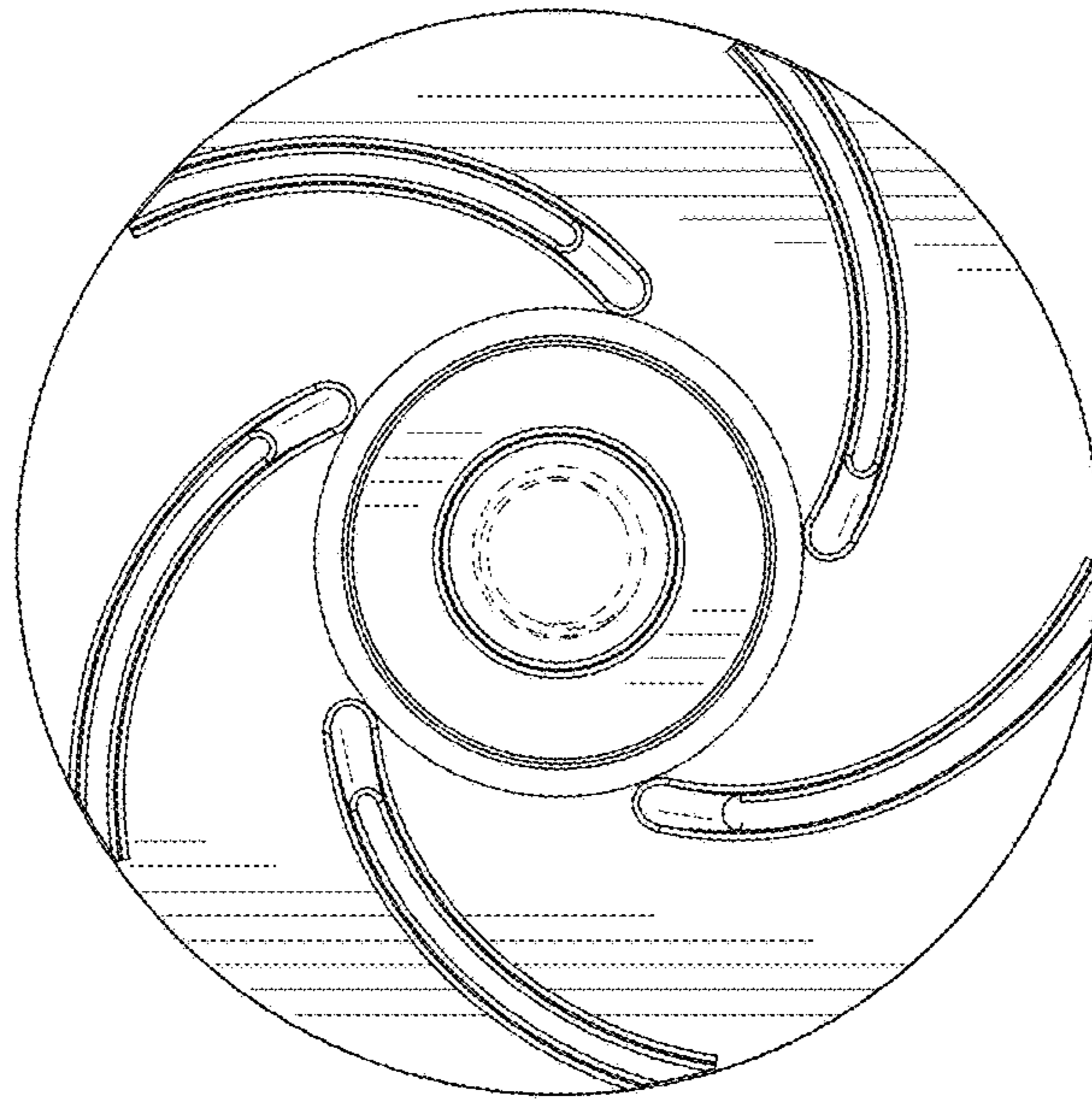


FIG. 6

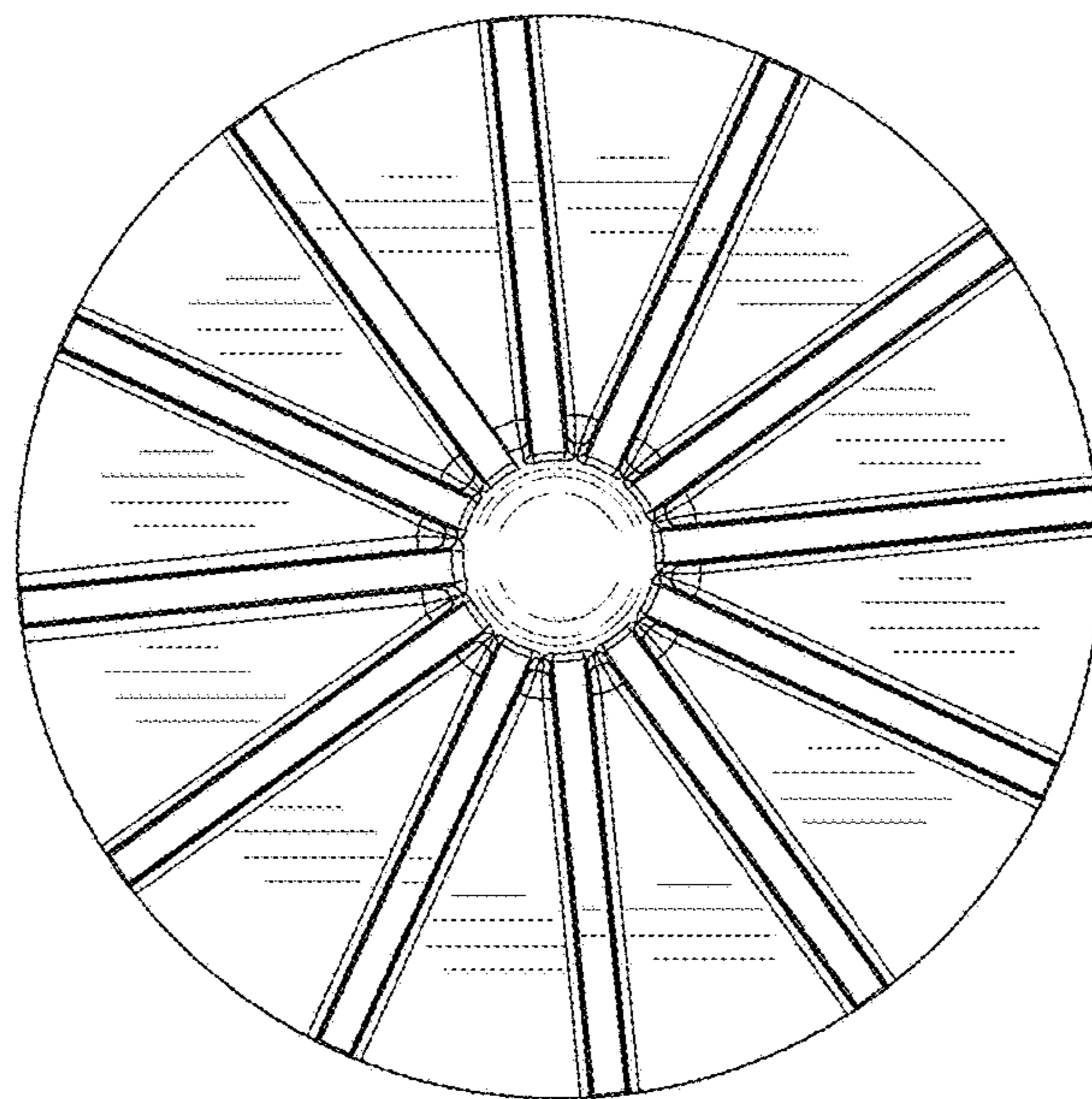


FIG. 7