



US00D868115S

(12) **United States Design Patent** (10) **Patent No.:** **US D868,115 S**
Raimondi et al. (45) **Date of Patent:** **** Nov. 26, 2019**

- (54) **SPRING FOR ROLLER ROCKER**
- (71) Applicant: **Eaton S.R.L.**, Torin (IT)
- (72) Inventors: **Emanuele Raimondi**, Torin (IT);
Gennaro Buonocore, Torin (IT)
- (73) Assignee: **Eaton S.R.L.**, Turin (IT)
- (**) Term: **15 Years**
- (21) Appl. No.: **29/634,865**
- (22) Filed: **Jan. 25, 2018**

Related U.S. Application Data

- (62) Division of application No. 35/501,721, filed on Jun. 10, 2016 (U.S. filing date under 35 U.S.C. 384), and having an international filing date of Jun. 10, 2016, now Pat. No. Des. 830,414.

(30) **Foreign Application Priority Data**

- Dec. 10, 2015 (EM) 002905158-0001
- Dec. 10, 2015 (EM) 002905158-0002
- Jan. 20, 2016 (EM) 002951921-0001

(51) **LOC (12) Cl.** **15-01**

(52) **U.S. Cl.**
 USPC **D15/5**
 CPC **F01L 1/24 (2013.01)**

(58) **Field of Classification Search**
 USPC D15/1-5; 123/90.1-90.18, 90.39-90.47
 CPC F01L 1/24; F01L 1/18; F01L 1/053; F01L 1/185; F01L 2001/186; F01L 2001/187; F01L 2001/188; F01L 1/181; F01L 1/182
 See application file for complete search history.

(56) **References Cited**

U.S. PATENT DOCUMENTS

- 5,452,694 A 9/1995 DHara
- 5,544,626 A 8/1996 Diggs et al.

- 5,584,267 A 12/1996 Muir
- 6,314,926 B1 11/2001 Meneely et al.
- 6,321,705 B1 11/2001 Fernandez et al.
- 6,439,179 B2 8/2002 Hendriksma et al.
- 6,467,443 B1 10/2002 Tsuruta et al.
- 6,532,920 B1 3/2003 Sweetnam et al.
- 6,615,782 B1 9/2003 Hendriksma et al.
- 6,640,759 B1 11/2003 Hendriksma
- 6,668,775 B2 12/2003 Harris
- 6,668,779 B2 12/2003 Hendriksma et al.
- 6,691,657 B2 2/2004 Hendriksma et al.
- 6,769,387 B2 8/2004 Heyman et al.
- 6,901,894 B2 6/2005 Haas et al.
- 6,925,978 B1 8/2005 Gerzseny et al.
- 6,966,291 B1 11/2005 Fischer et al.
- 6,976,461 B2 12/2005 Rorig et al.
- 6,997,152 B2 2/2006 Harris

(Continued)

Primary Examiner — Richard E Chilcot
 (74) *Attorney, Agent, or Firm* — Woodard, Emhardt, Henry, Reeves & Wagner, LLP

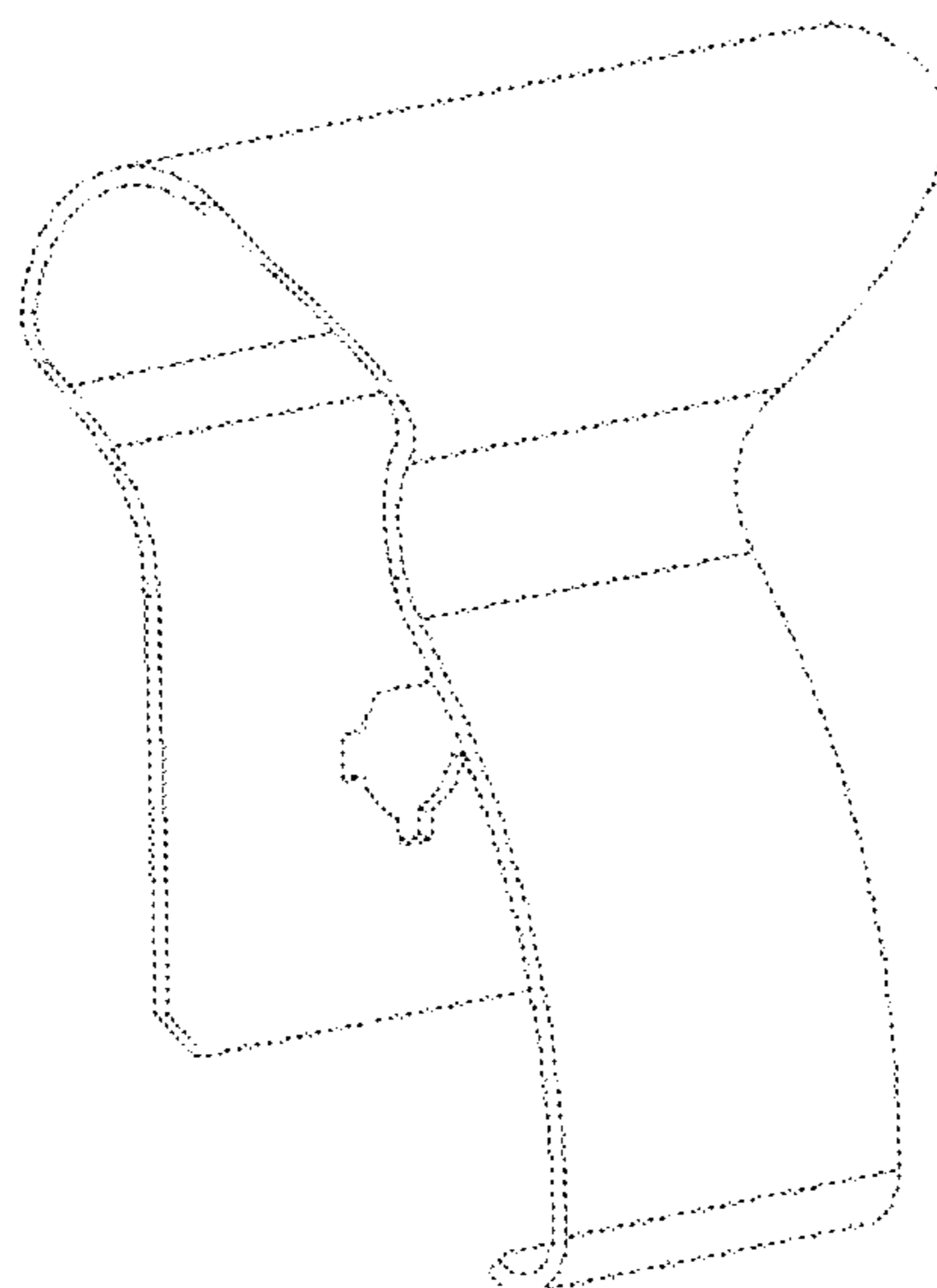
(57) **CLAIM**

The ornamental design for a spring for a roller rocker, as shown and described.

DESCRIPTION

FIG. 1.1 shows a perspective view of a spring for a roller rocker.
 FIG. 1.2 shows a right side view of the spring for a roller rocker.
 FIG. 1.3 shows a front view of the spring for a roller rocker.
 FIG. 1.4 shows a left side view of the spring for a roller rocker.
 FIG. 1.5 shows a back view of the spring for a roller rocker.
 FIG. 1.6 shows a bottom view of the spring for a roller rocker; and,
 FIG. 1.7 shows a top view of the spring for a roller rocker.

1 Claim, 7 Drawing Sheets



(56)

References Cited

U.S. PATENT DOCUMENTS

7,093,672 B2	8/2006	Hendriksma et al.	8,056,523 B2	11/2011	Ha et al.
7,174,869 B2	2/2007	Proschko et al.	8,146,552 B2	4/2012	Seitz et al.
7,240,652 B2	7/2007	Roerig et al.	8,151,763 B2	4/2012	Meistrick et al.
7,278,384 B2	10/2007	Fernandez et al.	8,215,275 B2	7/2012	Church
7,305,951 B2	12/2007	Fernandez et al.	8,251,032 B2	8/2012	Manther
7,328,675 B2	2/2008	Seitz et al.	8,267,059 B2	9/2012	Manther et al.
7,377,247 B2	5/2008	Seitz	8,297,243 B2	10/2012	Kang
7,444,967 B2	11/2008	Kido et al.	8,312,851 B2	11/2012	Heinemann
D587,284 S	2/2009	Stopanio	8,393,308 B2	3/2013	Kang et al.
7,503,300 B2	3/2009	Seitz et al.	8,434,440 B2	5/2013	Manther et al.
7,533,642 B2	5/2009	Proschko et al.	8,474,425 B2	7/2013	Kirbach
7,546,822 B2	6/2009	Murphy et al.	8,479,694 B2	7/2013	Manther et al.
7,565,887 B2	7/2009	Tsuruta et al.	8,528,508 B2	9/2013	Meistrick et al.
7,603,972 B2	10/2009	Han et al.	8,555,835 B2	10/2013	Patzold et al.
7,661,400 B2	2/2010	Seitz et al.	8,607,753 B2	12/2013	Krause et al.
7,673,606 B2	3/2010	Ng et al.	8,627,796 B2	1/2014	Harman
7,677,213 B2	3/2010	Deierlein	8,677,958 B2	3/2014	Becker et al.
7,712,443 B2	5/2010	Gemein	8,726,862 B2	5/2014	Zurface et al.
7,721,694 B2	5/2010	Fernandez et al.	8,726,863 B2	5/2014	Meistrick et al.
7,798,113 B2	9/2010	Fischer et al.	8,733,311 B2	5/2014	Manther
7,909,007 B2	3/2011	Manther et al.	8,807,101 B2	8/2014	Choi et al.
7,934,477 B2	5/2011	Elnick et al.	8,955,481 B2	2/2015	Manther
8,006,657 B2	8/2011	Riley et al.	D750,670 S	3/2016	McCarthy, Jr.
			D791,190 S *	7/2017	McCarthy, Jr. D15/5
			D830,414 S *	10/2018	Rainnondi D15/5

* cited by examiner

Fig. 1.1

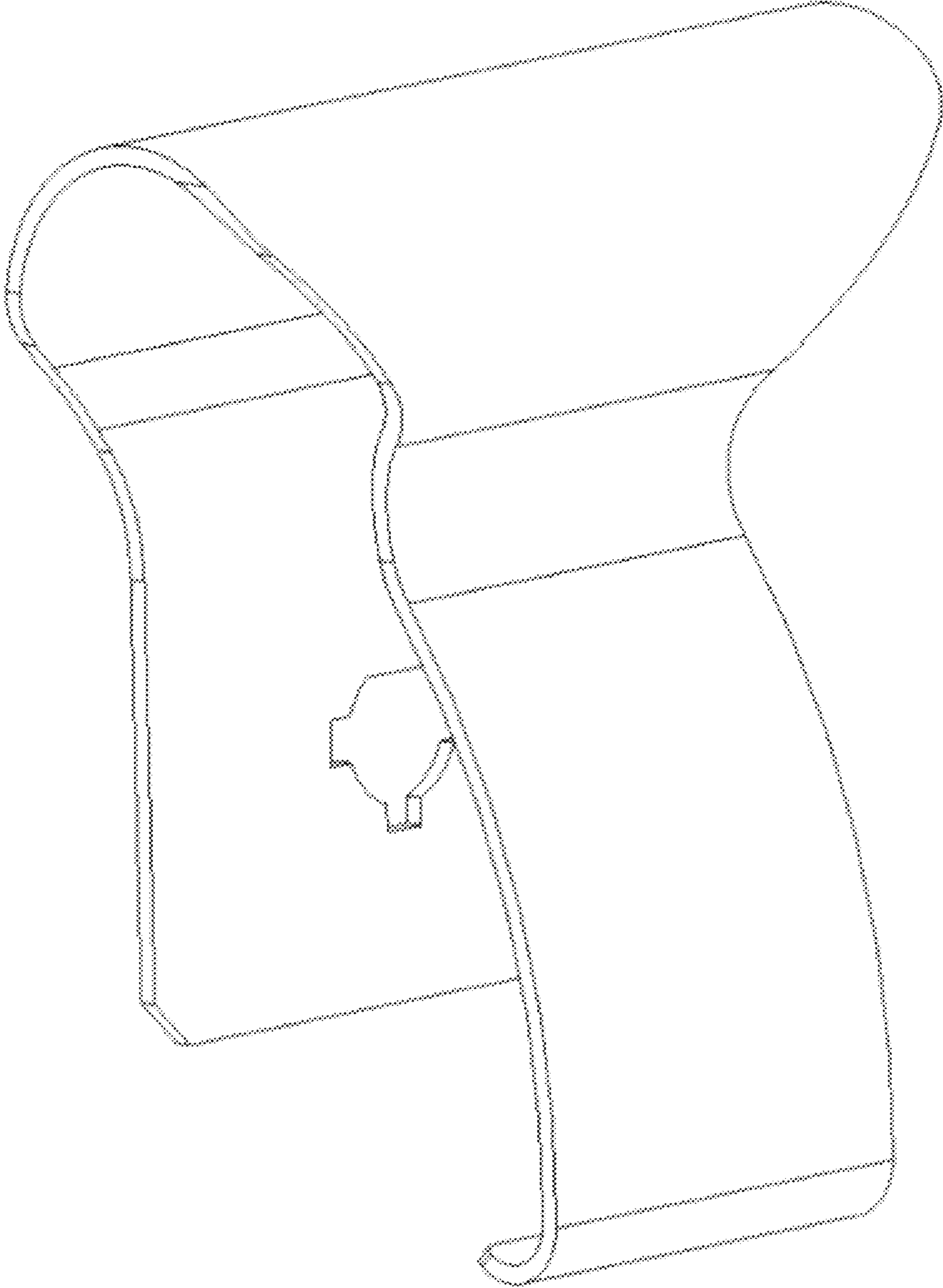


Fig. 1.2

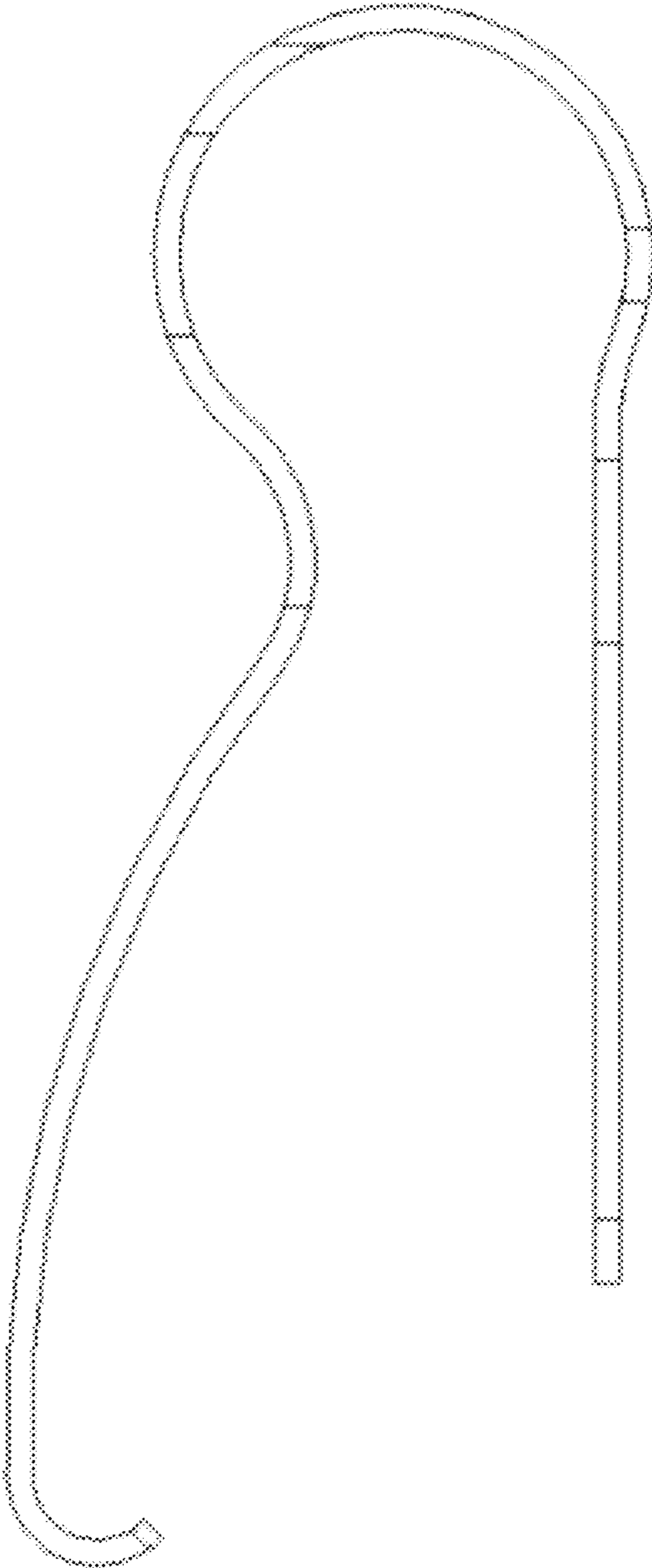


FIG. 1.3

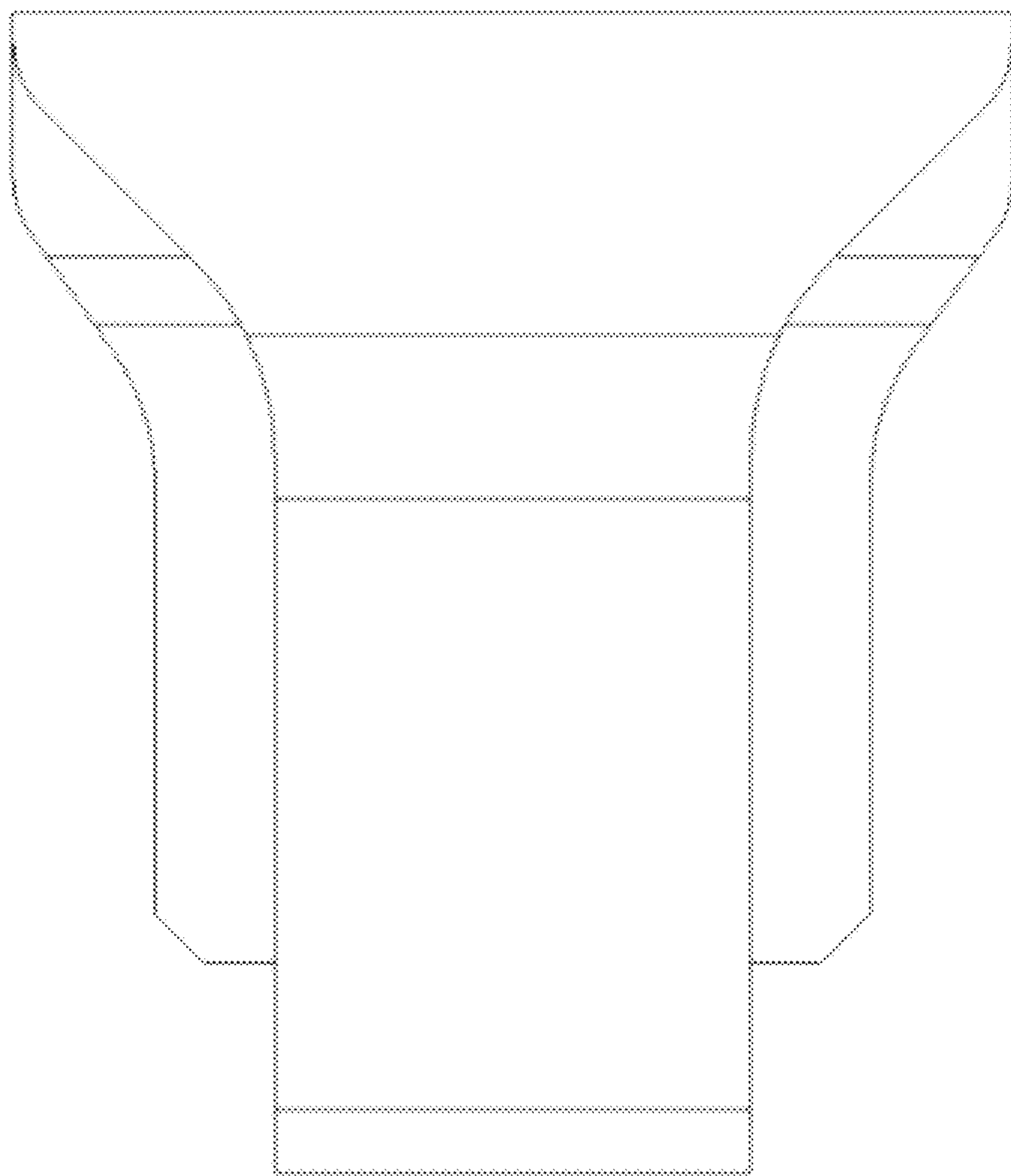


FIG. 1.4

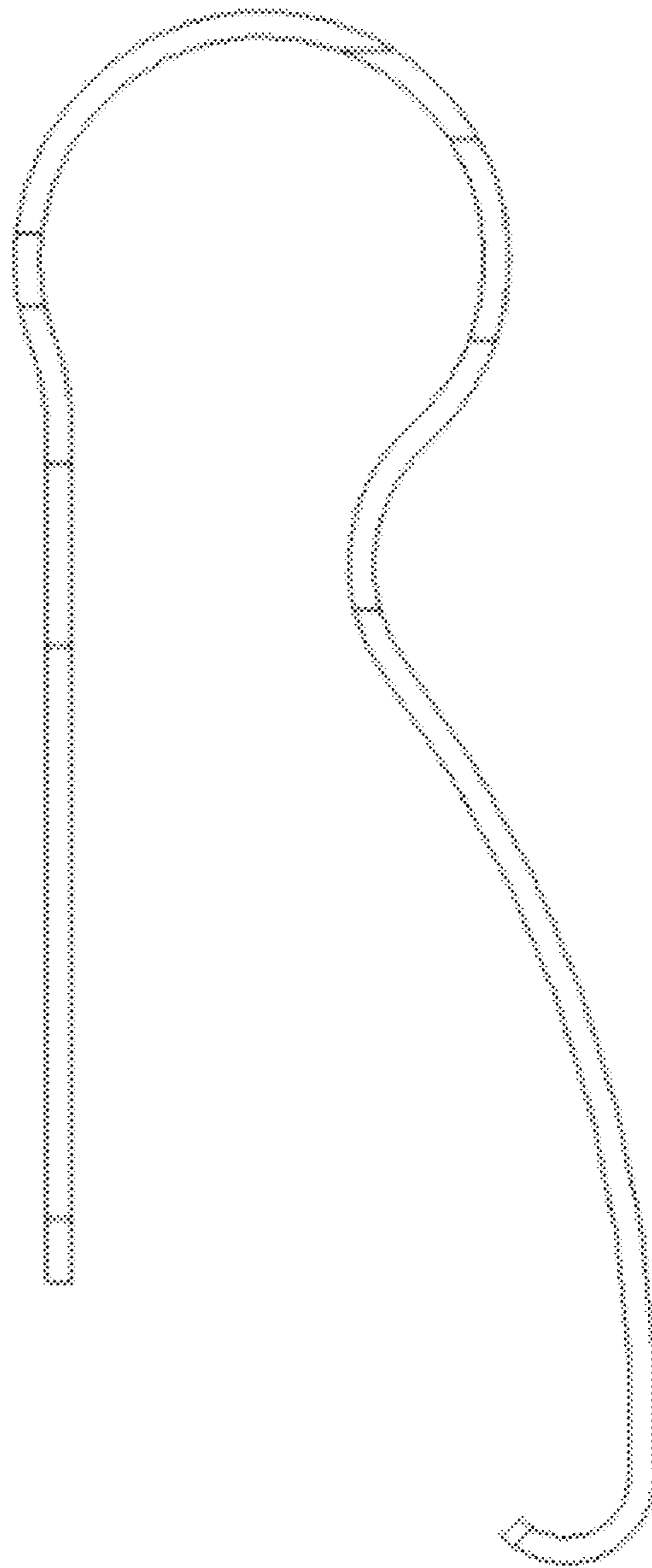


FIG. 1.5

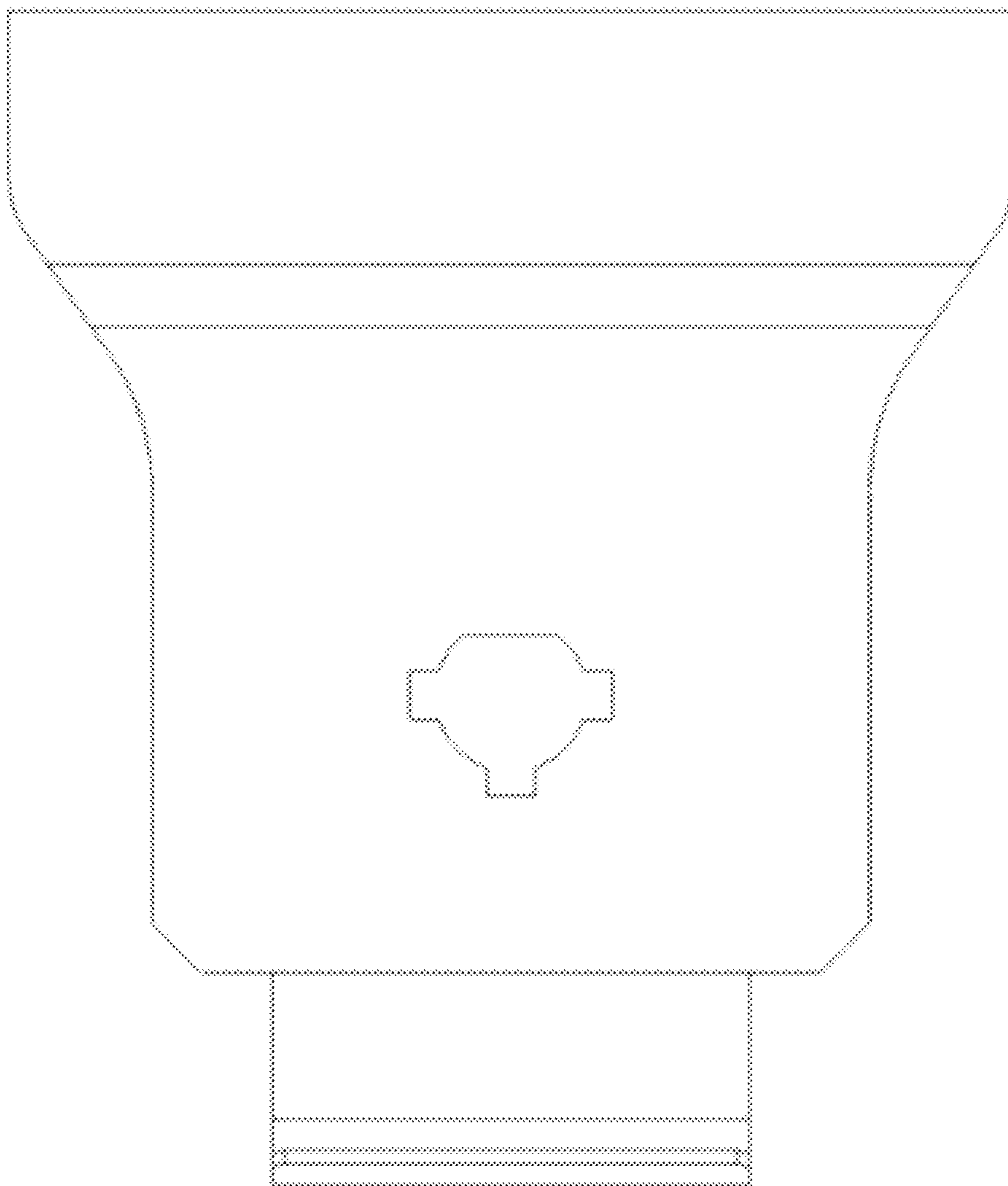


FIG. 1.6

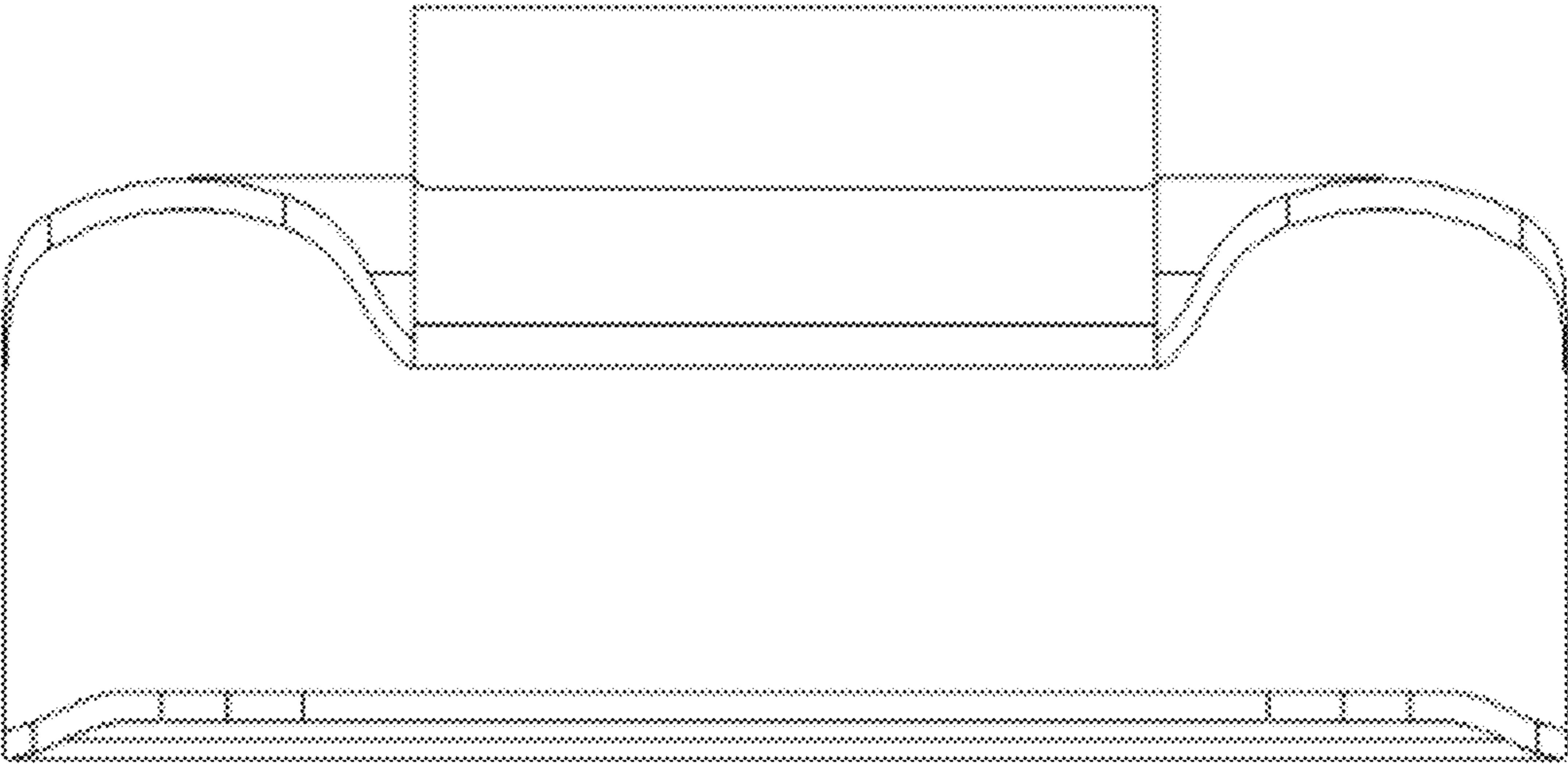


FIG. 1.7

