



US00D868114S

(12) **United States Design Patent** (10) **Patent No.:** **US D868,114 S**  
**Rogers** (45) **Date of Patent:** **\*\* Nov. 26, 2019**

(54) **COMBINATION GAS PULSATION DAMPENER, CROSS AND STRAINER**

**DESCRIPTION**

- (71) Applicant: **John Thomas Rogers**, Garland, TX (US)
- (72) Inventor: **John Thomas Rogers**, Garland, TX (US)
- (73) Assignee: **Performance Pulsation Control, Inc.**, Richardson, TX (US)
- (\*\*) Term: **15 Years**
- (21) Appl. No.: **29/581,846**
- (22) Filed: **Oct. 21, 2016**
- (51) **LOC (12) Cl.** ..... **15-01**
- (52) **U.S. Cl.**  
USPC ..... **D15/5**
- (58) **Field of Classification Search**  
USPC ..... **D15/1-7**

(Continued)

(56) **References Cited**

**U.S. PATENT DOCUMENTS**

- 6,318,564 B1 \* 11/2001 Archibald ..... B01D 29/35  
210/448
- D715,841 S \* 10/2014 Comben ..... D15/143  
(Continued)

*Primary Examiner* — Michelle E. Wilson  
*Assistant Examiner* — Ania Aman

(57) **CLAIM**

The design for a combination gas pulsation dampener, cross and strainer, as shown and described.

FIG. 1 is a perspective view of a first embodiment of a new and original design for a combination gas pulsation dampener, cross and strainer in accordance with the present disclosure;

FIG. 2 is a front elevation view of the combination gas pulsation dampener, cross and strainer shown in FIG. 1;

FIG. 3 is a rear elevation view of the combination gas pulsation dampener, cross and strainer shown in FIG. 1;

FIG. 4 is a right side elevation view of the combination gas pulsation dampener, cross and strainer shown in FIG. 1;

FIG. 5 is a left side elevation view of the combination gas pulsation dampener, cross and strainer shown in FIG. 1;

FIG. 6 is a top plan view of the combination gas pulsation dampener, cross and strainer shown in FIG. 1;

FIG. 7 is a bottom plan view of the combination gas pulsation dampener, cross and strainer shown in FIG. 1;

FIG. 8 is a perspective view of a second embodiment of a new and original design for a combination gas pulsation dampener, cross and strainer in accordance with the present disclosure;

FIG. 9 is a front elevation view of the combination gas pulsation dampener, cross and strainer shown in FIG. 8;

FIG. 10 is a rear elevation view of the combination gas pulsation dampener, cross and strainer shown in FIG. 8;

FIG. 11 is a right side elevation view of the combination gas pulsation dampener, cross and strainer shown in FIG. 8;

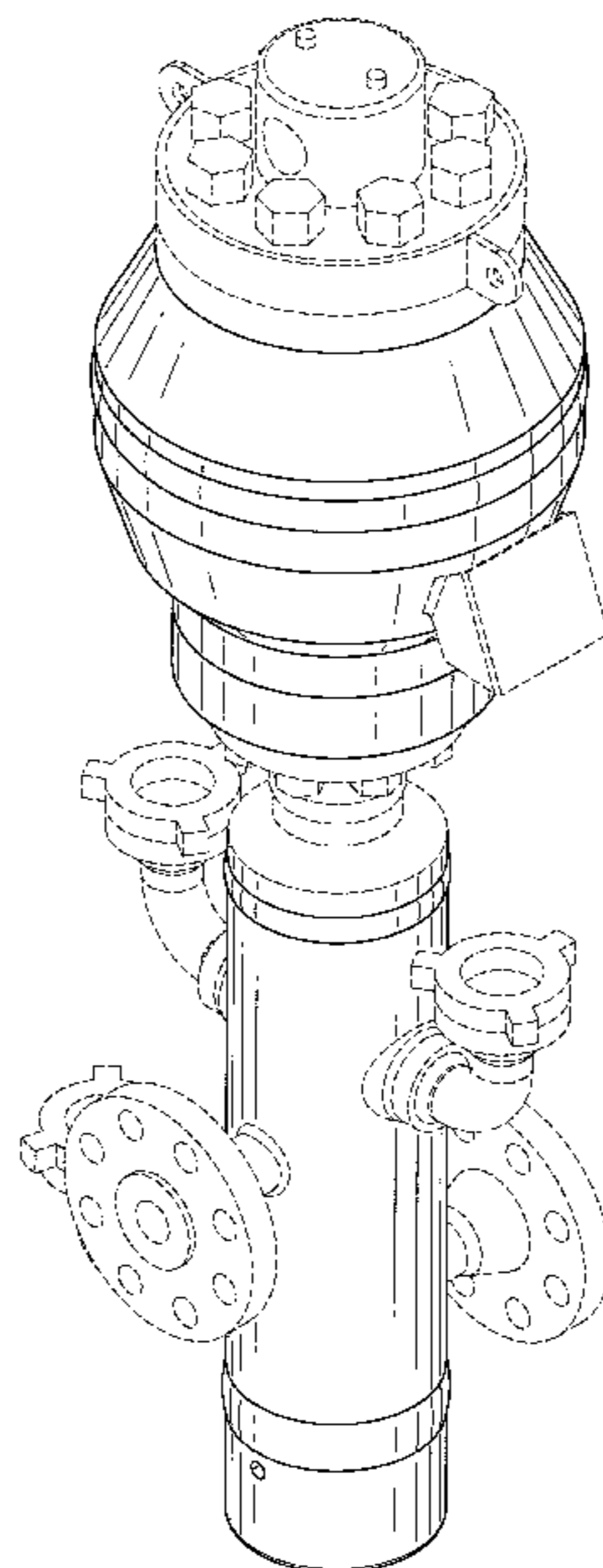
FIG. 12 is a left side elevation view of the combination gas pulsation dampener, cross and strainer shown in FIG. 8;

FIG. 13 is a top plan view of the combination gas pulsation dampener, cross and strainer shown in FIG. 8; and,

FIG. 14 is a bottom plan view of the combination gas pulsation dampener, cross and strainer shown in FIG. 8.

In the drawings, the broken lines depict unclaimed subject matter only and form no part of the claimed design.

**1 Claim, 10 Drawing Sheets**



(58) **Field of Classification Search**

CPC .. F16L 55/053; F16L 55/02709; B01D 29/11;  
B01D 35/02; F04B 11/0016; F04B 53/16  
See application file for complete search history.

(56) **References Cited**

U.S. PATENT DOCUMENTS

D790,663	S *	6/2017	Petersen	.....	D23/234
2004/0144703	A1 *	7/2004	Davenport	.....	B01D 35/02
					210/153
2008/0251467	A1 *	10/2008	Wanni	.....	B01D 29/01
					210/775
2015/0377231	A1 *	12/2015	Bowen	.....	F04B 49/04
					417/434
2017/0335843	A1 *	11/2017	Kutella	.....	F04B 53/1002
2018/0056211	A1 *	3/2018	Seabrook	.....	B01D 11/0203
2018/0128410	A1 *	5/2018	Rogers	.....	B01D 29/11
2018/0238317	A1 *	8/2018	Ward	.....	B01D 61/22
2019/0186297	A1 *	6/2019	Otto	.....	F01D 25/18

\* cited by examiner

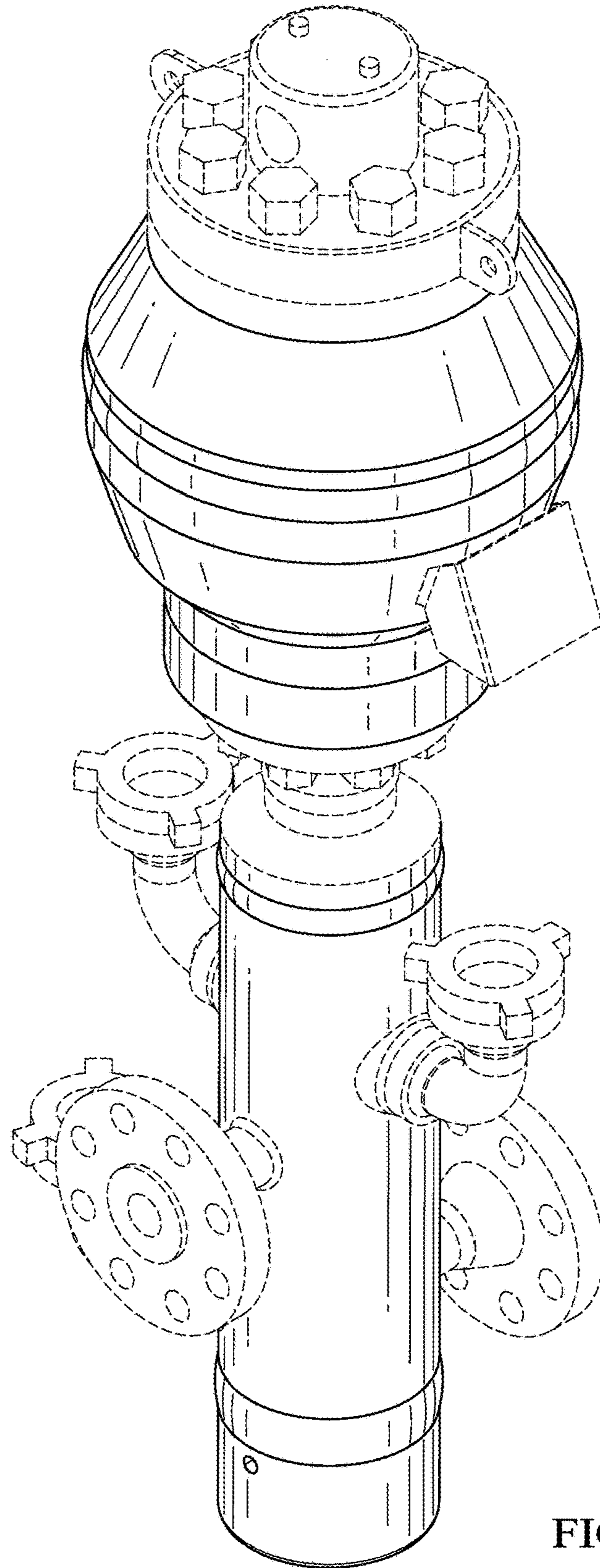


FIG. 1

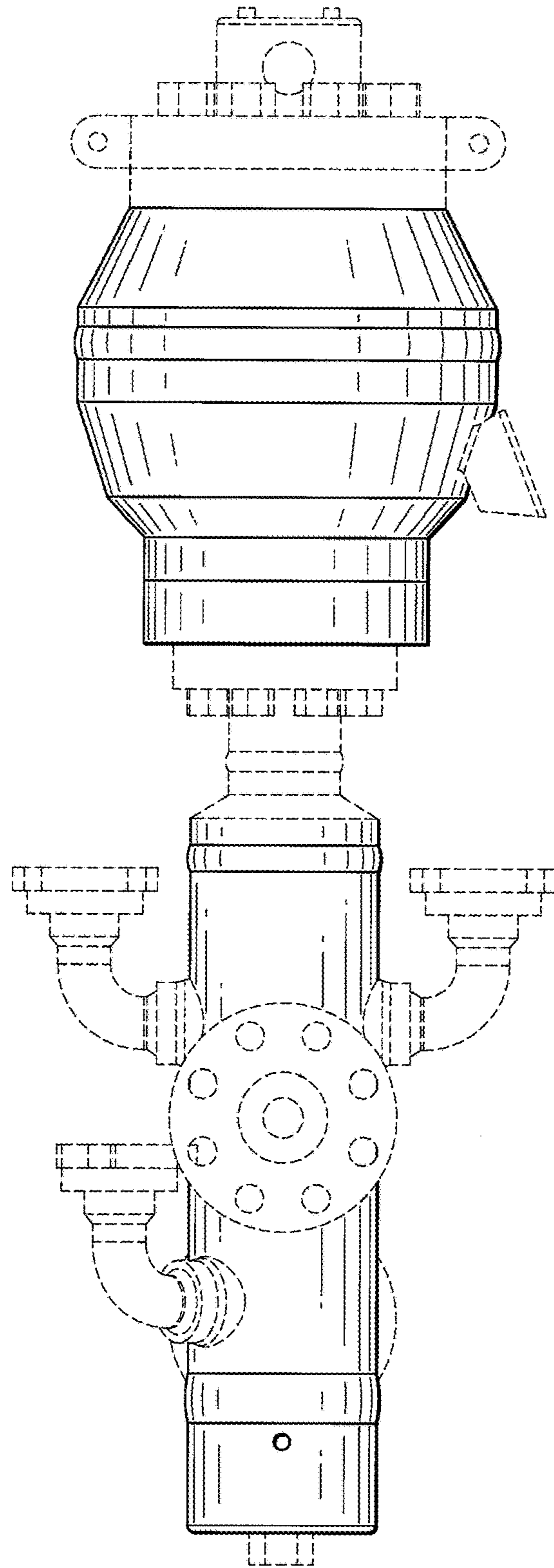


FIG. 2



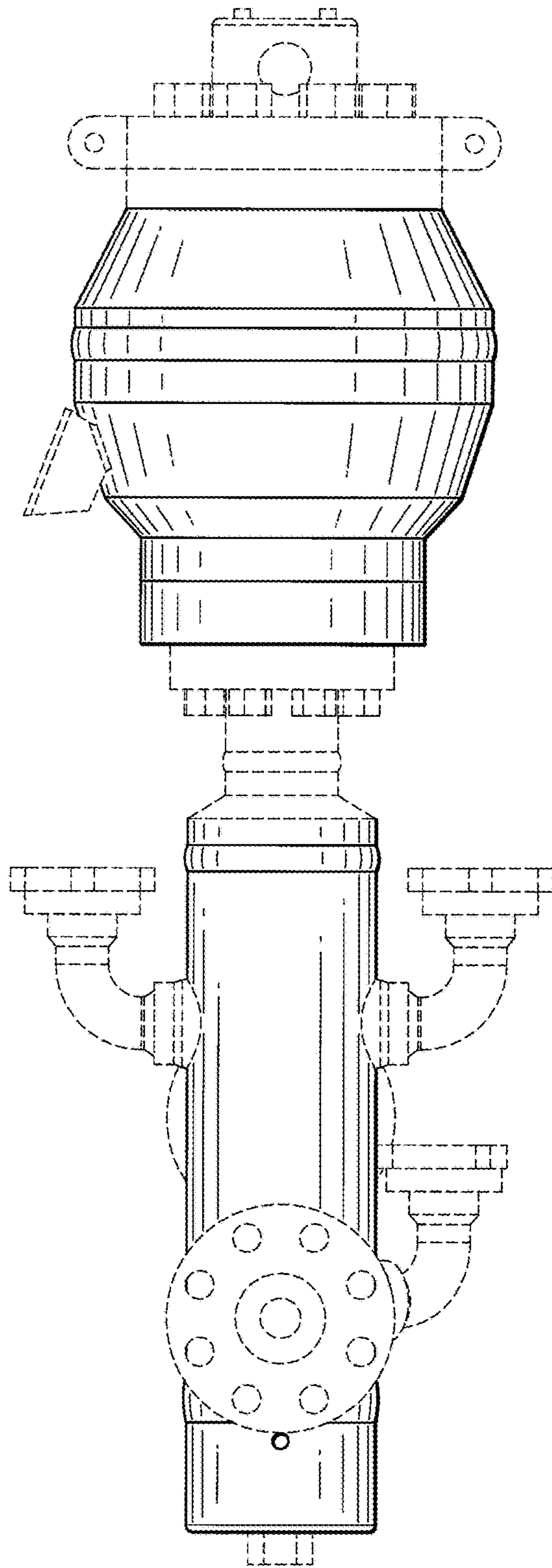


FIG. 3

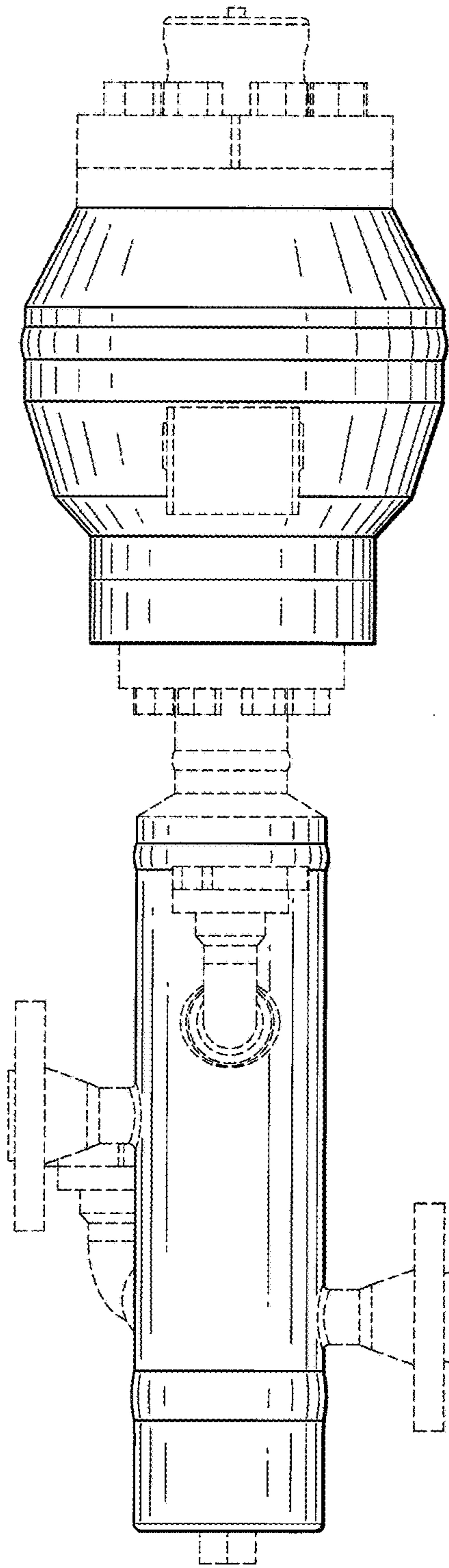


FIG. 4

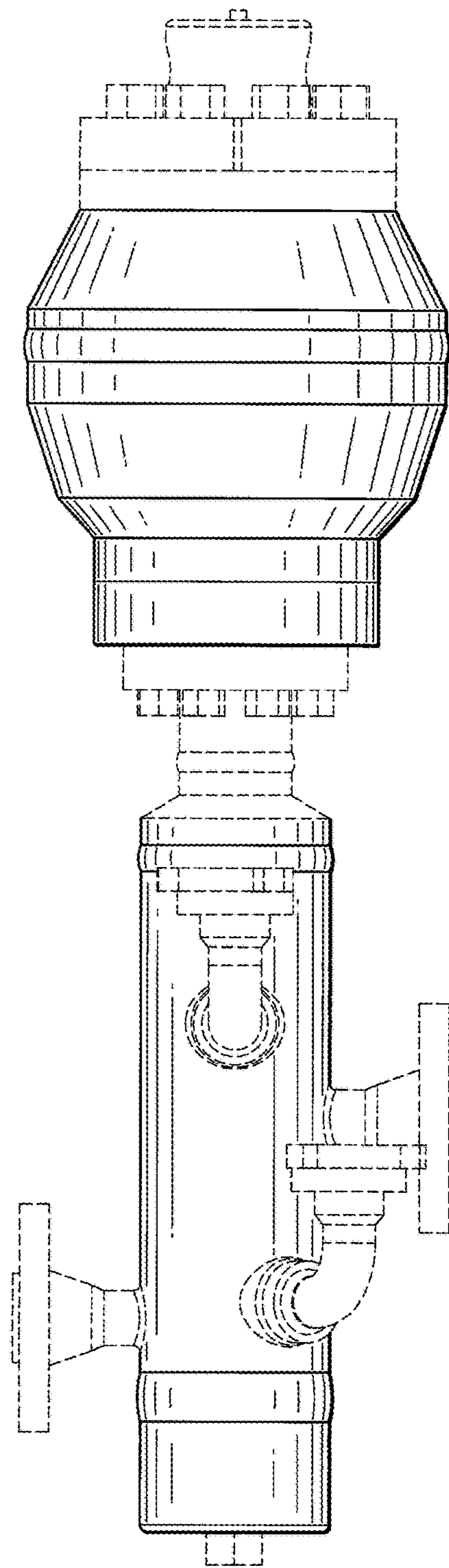


FIG. 5

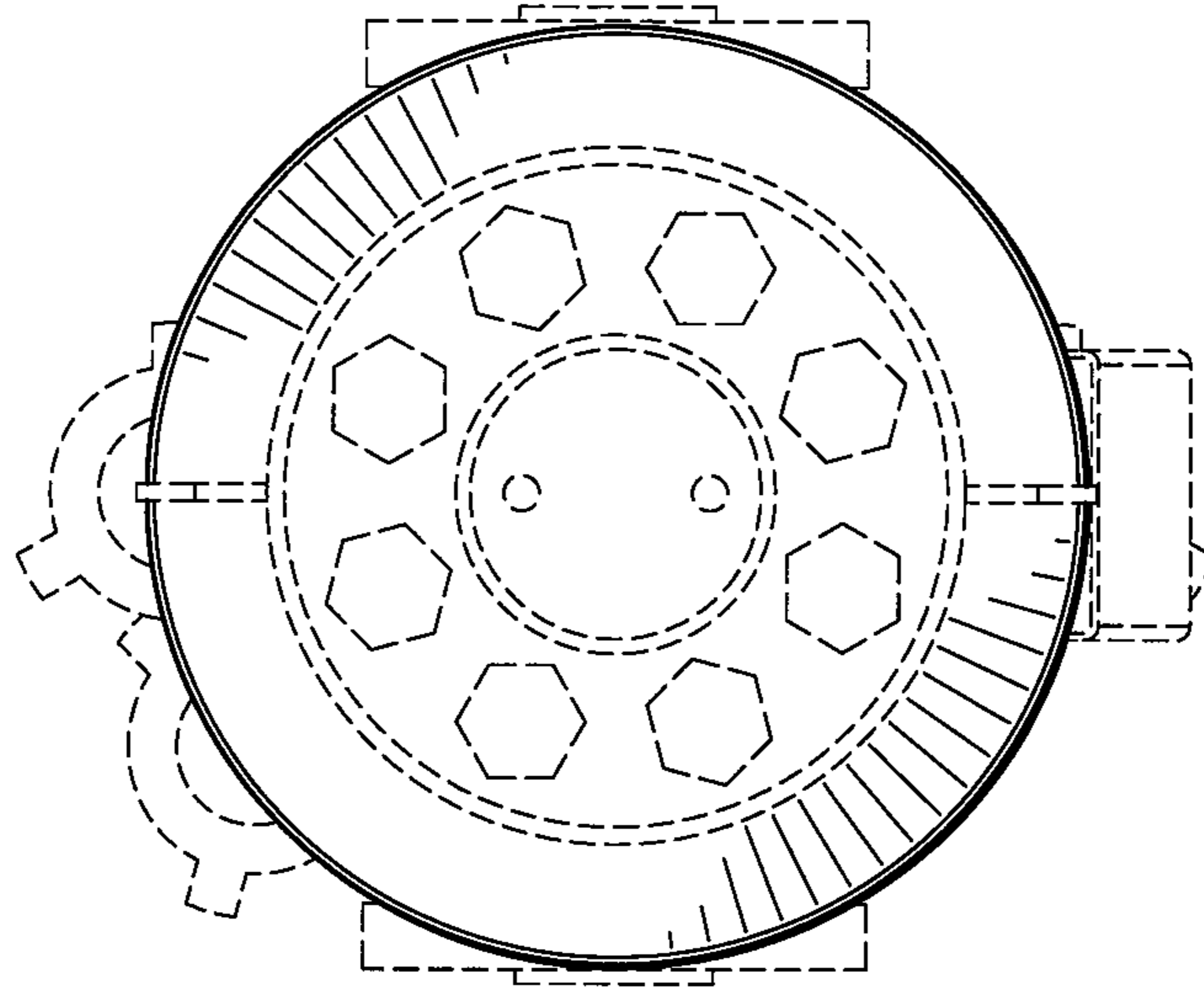


FIG. 6

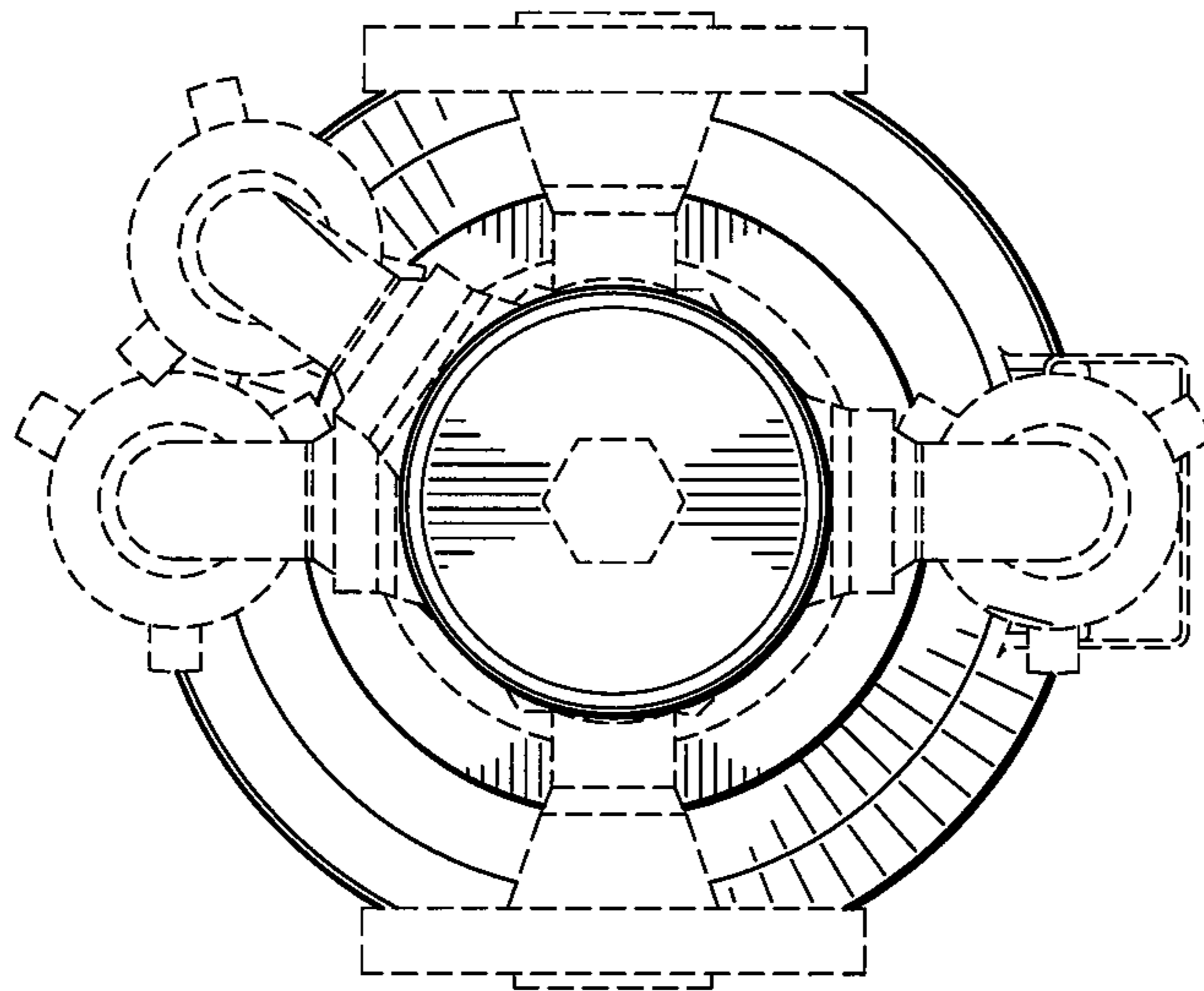


FIG. 7

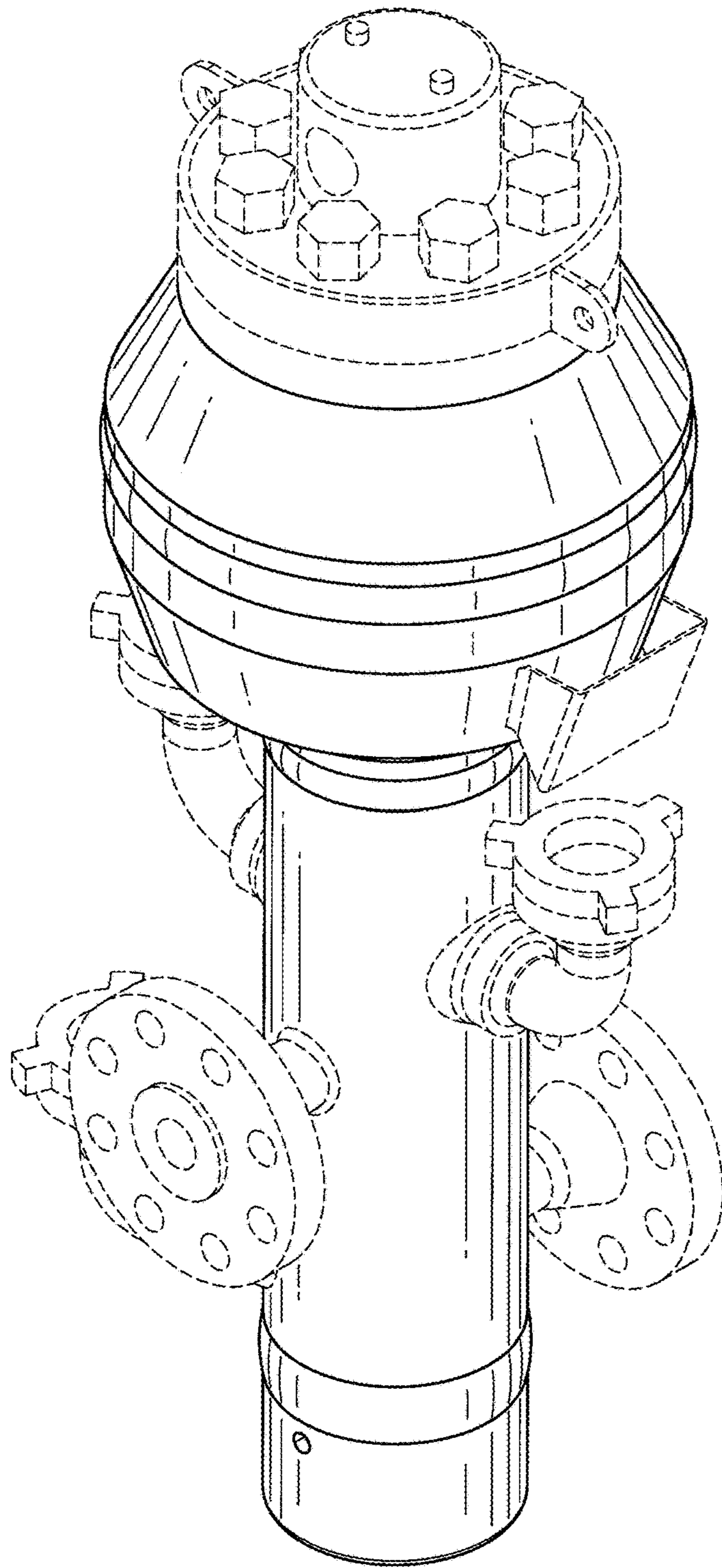


FIG. 8



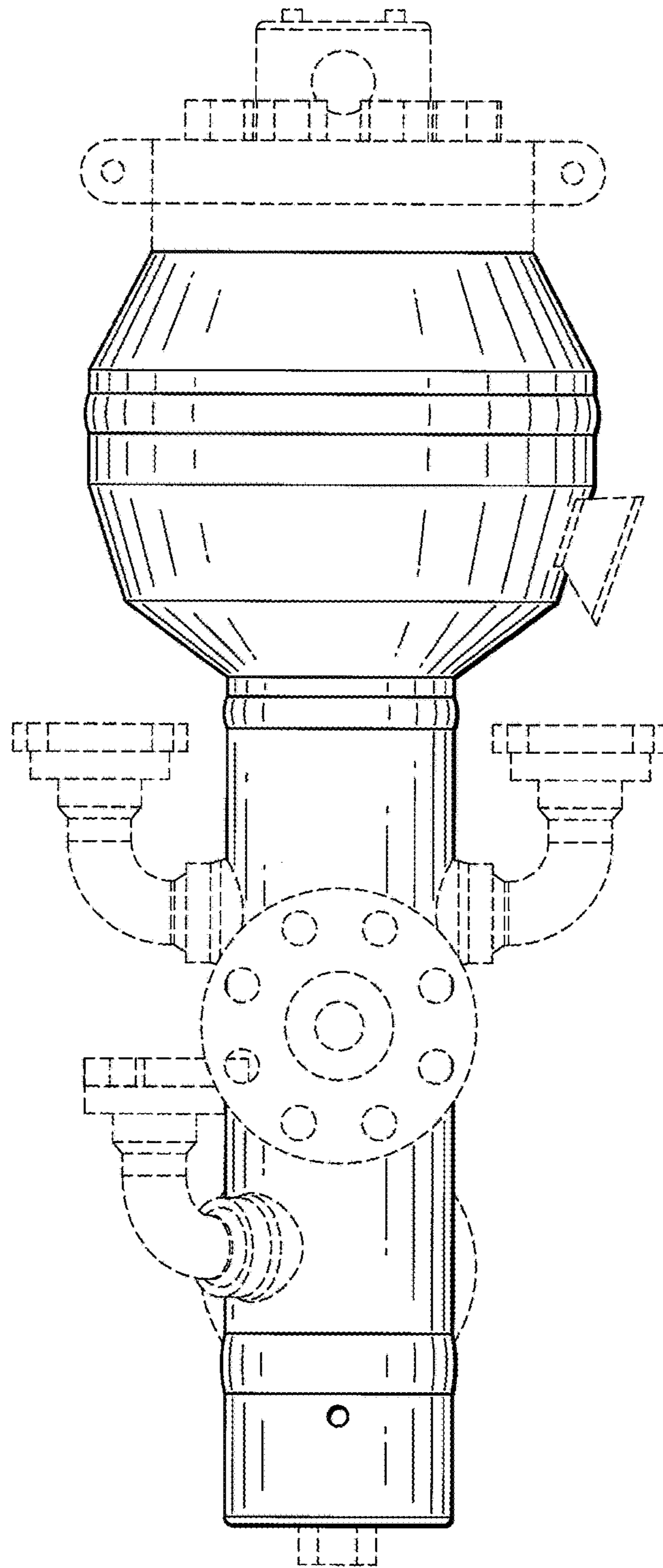


FIG. 9

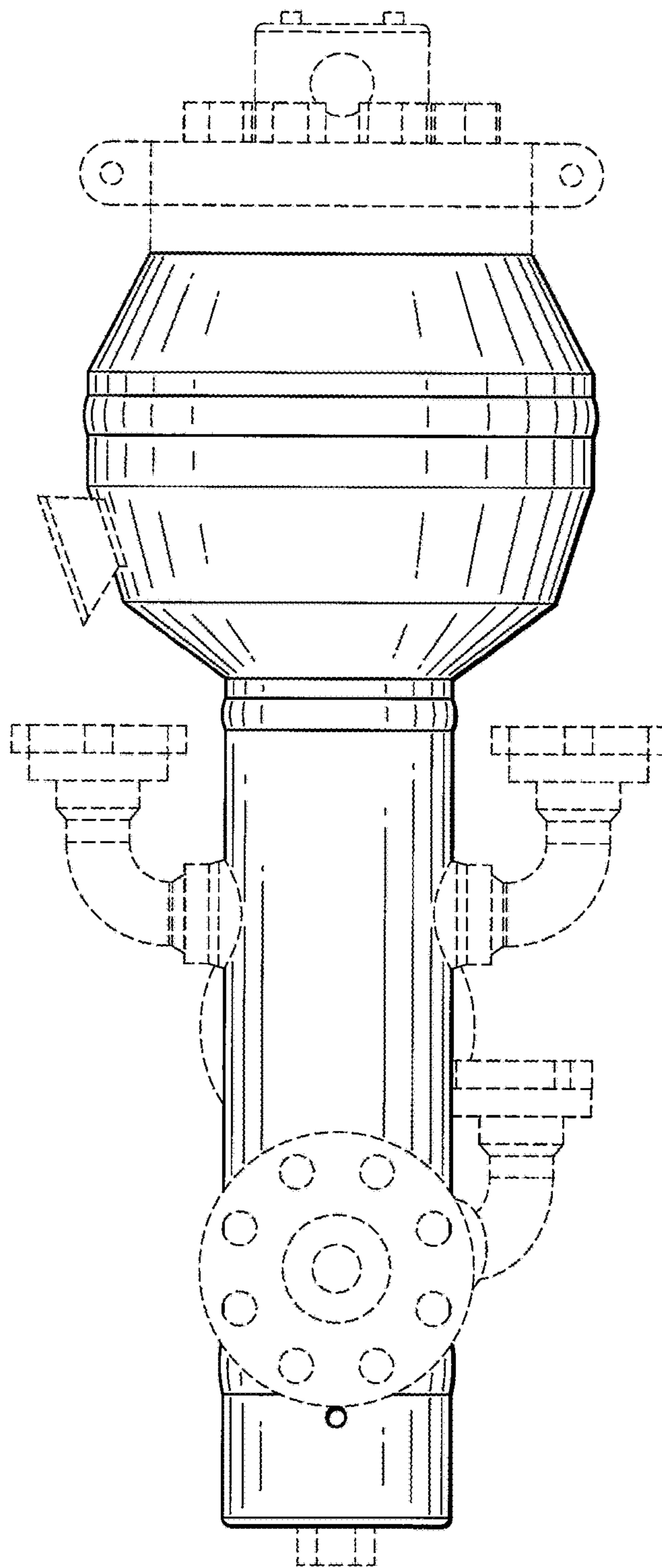


FIG. 10

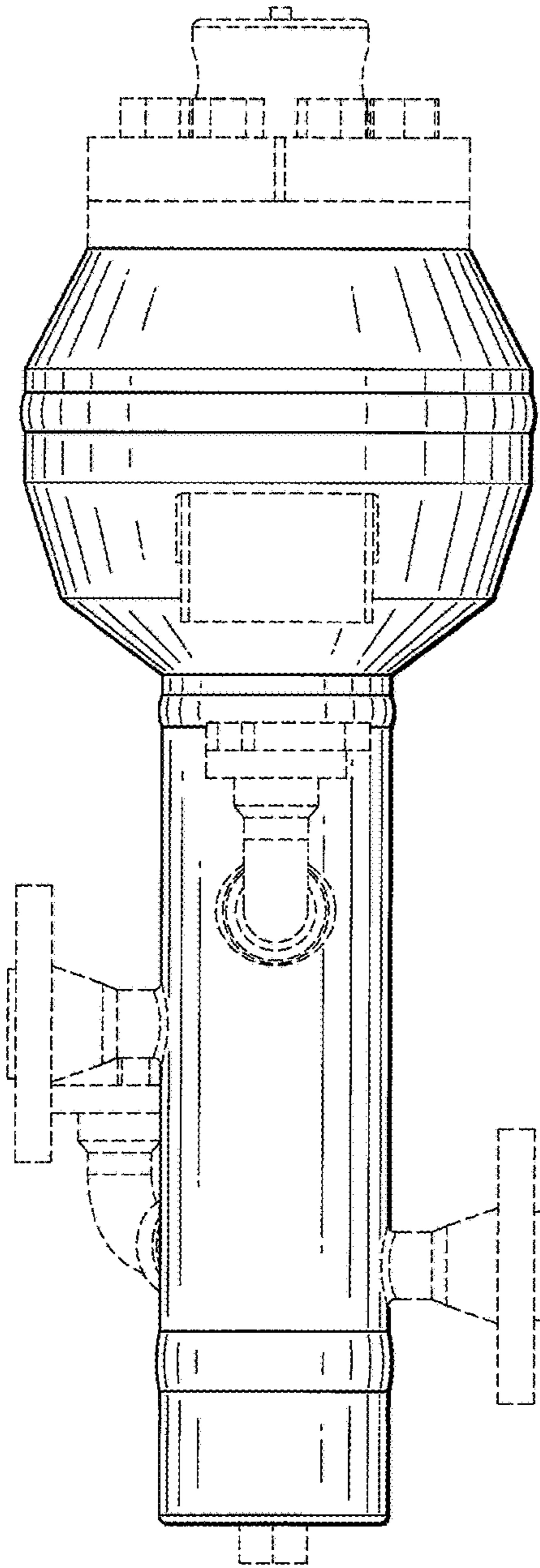


FIG. 11

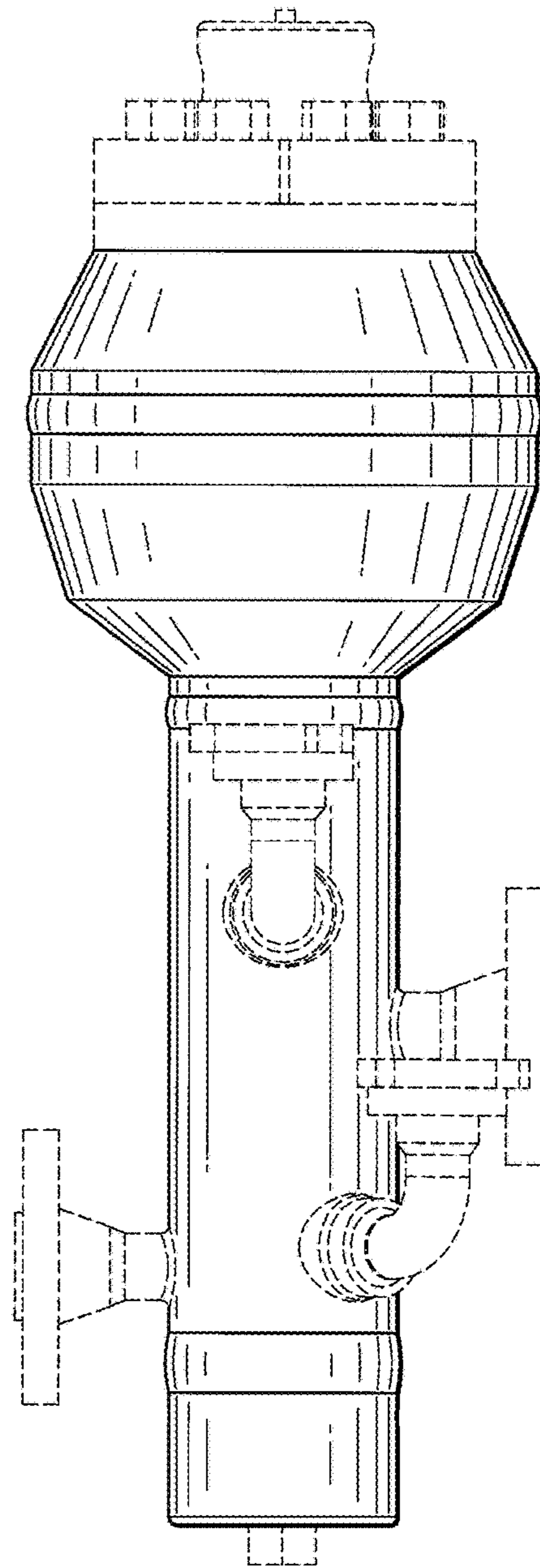


FIG. 12

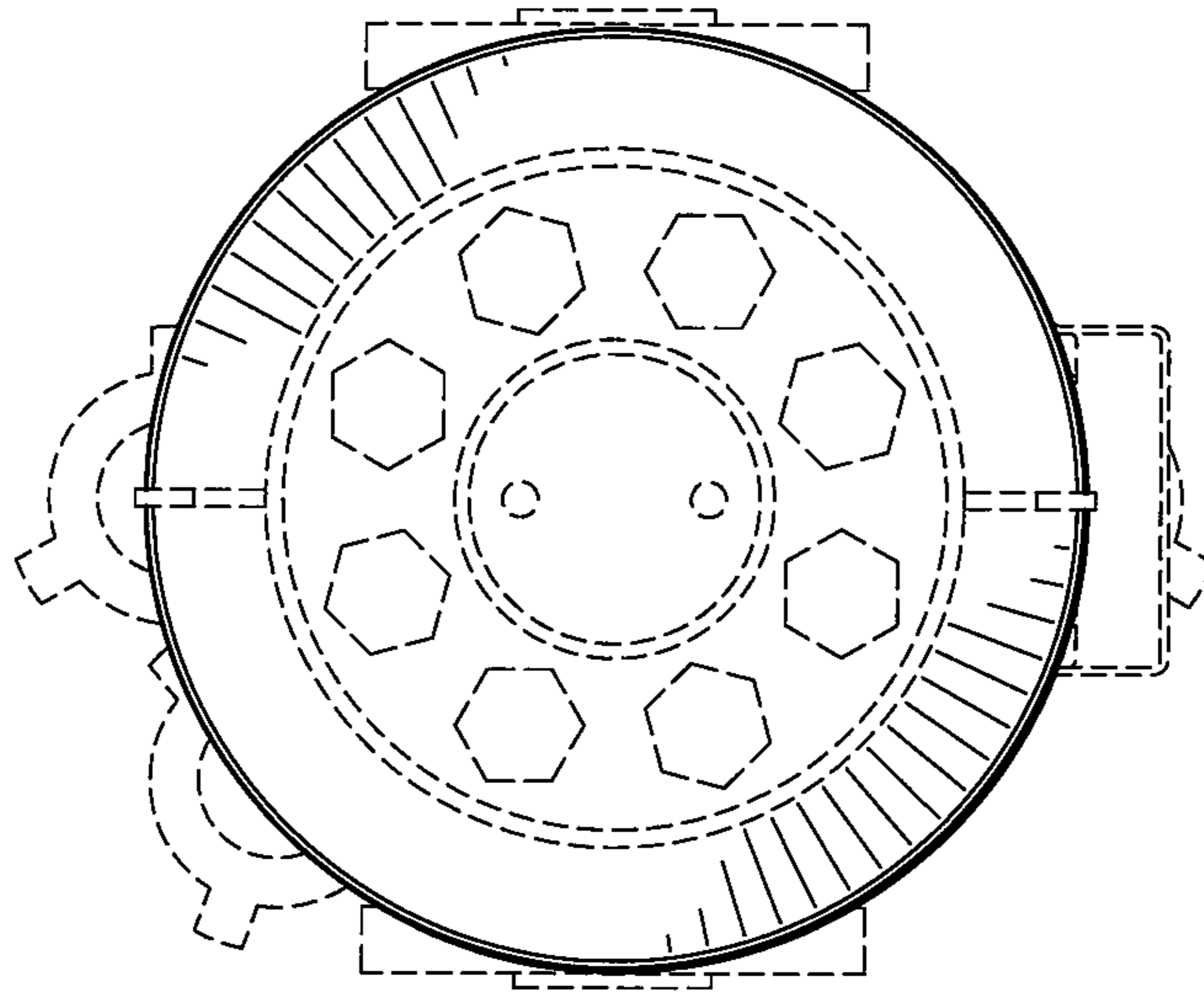


FIG. 13

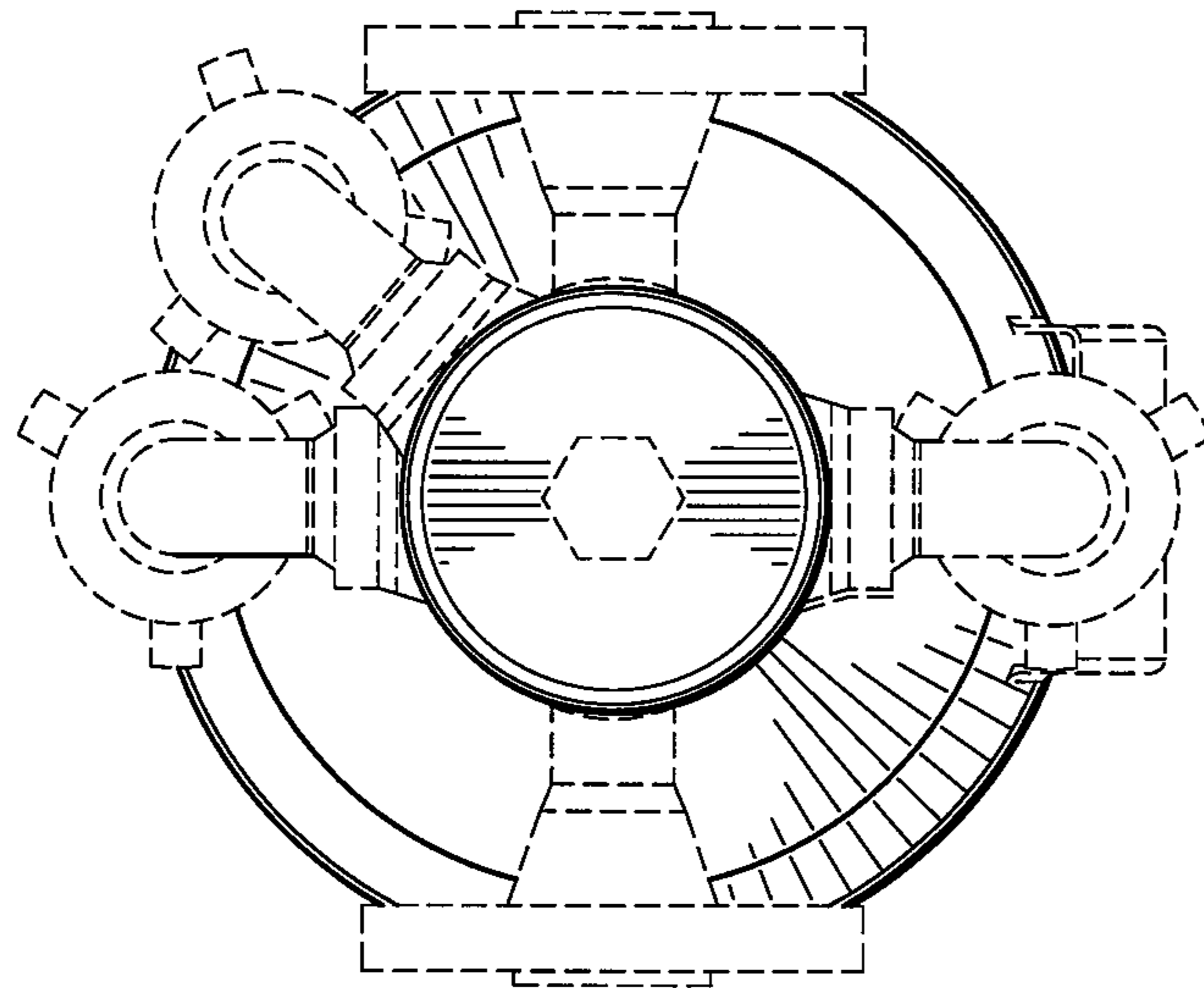


FIG. 14