



US00D868112S

(12) **United States Design Patent** (10) **Patent No.:** **US D868,112 S**  
**Tsuji et al.** (45) **Date of Patent:** **\*\* Nov. 26, 2019**

(54) **FLANGE FOR COMPRESSOR IMPELLER**

(71) Applicant: **Mitsubishi Heavy Industries, Ltd.**,  
Tokyo (JP)

(72) Inventors: **Takeshi Tsuji**, Houston, TX (US);  
**Ichiro Hirakawa**, Nagasaki (JP)

(73) Assignee: **Mitsubishi Heavy Industries, Ltd.**,  
Tokyo (JP)

(\*\*) Term: **15 Years**

(21) Appl. No.: **29/562,032**

(22) Filed: **May 13, 2016**

(51) **LOC (12) Cl.** ..... **15-01**

(52) **U.S. Cl.**  
USPC ..... **D15/5**

(58) **Field of Classification Search**  
USPC ..... D15/1-7, 9; D23/233-237, 240-249  
CPC ..... F15B 15/24; F15B 15/26; F15B 15/08;  
F15B 15/14; F15B 15/1428

See application file for complete search history.

(56) **References Cited**

**U.S. PATENT DOCUMENTS**

- 2,619,389 A \* 11/1952 James ..... B60B 37/04  
301/1
- D353,600 S \* 12/1994 Glass ..... D15/7
- D462,256 S \* 9/2002 Jaynes ..... D12/160
- D614,524 S \* 4/2010 McAlpine ..... D15/7
- 7,692,326 B2 4/2010 Ono et al.
- D714,348 S \* 9/2014 Swanson ..... B65D 85/00  
D15/5
- D738,935 S \* 9/2015 Chu ..... D15/9
- D767,658 S \* 9/2016 Creager ..... D15/148
- D798,826 S \* 10/2017 Karlsson ..... D13/156
- D801,286 S \* 10/2017 Karlsson ..... D13/156
- D815,516 S \* 4/2018 Karmarkar ..... D8/382
- 2007/0023248 A1\* 2/2007 Nguyen ..... F16D 41/069  
192/43

- 2007/0134993 A1\* 6/2007 Tamez ..... A61M 1/10  
439/752
- 2009/0062018 A1\* 3/2009 Suhocki ..... F04C 18/123  
464/57
- 2009/0166573 A1\* 7/2009 Sakai ..... F16L 23/003  
251/326
- 2013/0037125 A1\* 2/2013 Drake ..... F04B 49/22  
137/68.23
- 2013/0160749 A1\* 6/2013 Creager ..... F02B 39/12  
123/559.3
- 2013/0239568 A1 9/2013 Krishnan et al.
- 2017/0211467 A1\* 7/2017 Hall ..... F02B 39/04
- 2018/0187507 A1\* 7/2018 Hill ..... E21B 33/068

**FOREIGN PATENT DOCUMENTS**

- JP 4648347 B2 12/2010
- JP 2015158161 A 9/2015

\* cited by examiner

*Primary Examiner* — T Chase Nelson

*Assistant Examiner* — Ania Aman

(74) *Attorney, Agent, or Firm* — Berkeley Law &  
Technology Group, LLP

(57) **CLAIM**

The ornamental design for a flange for compressor impeller,  
as shown and described.

**DESCRIPTION**

FIG. 1 is a front view of a flange for compressor impeller  
showing our new design.

FIG. 2 is a top view thereof.

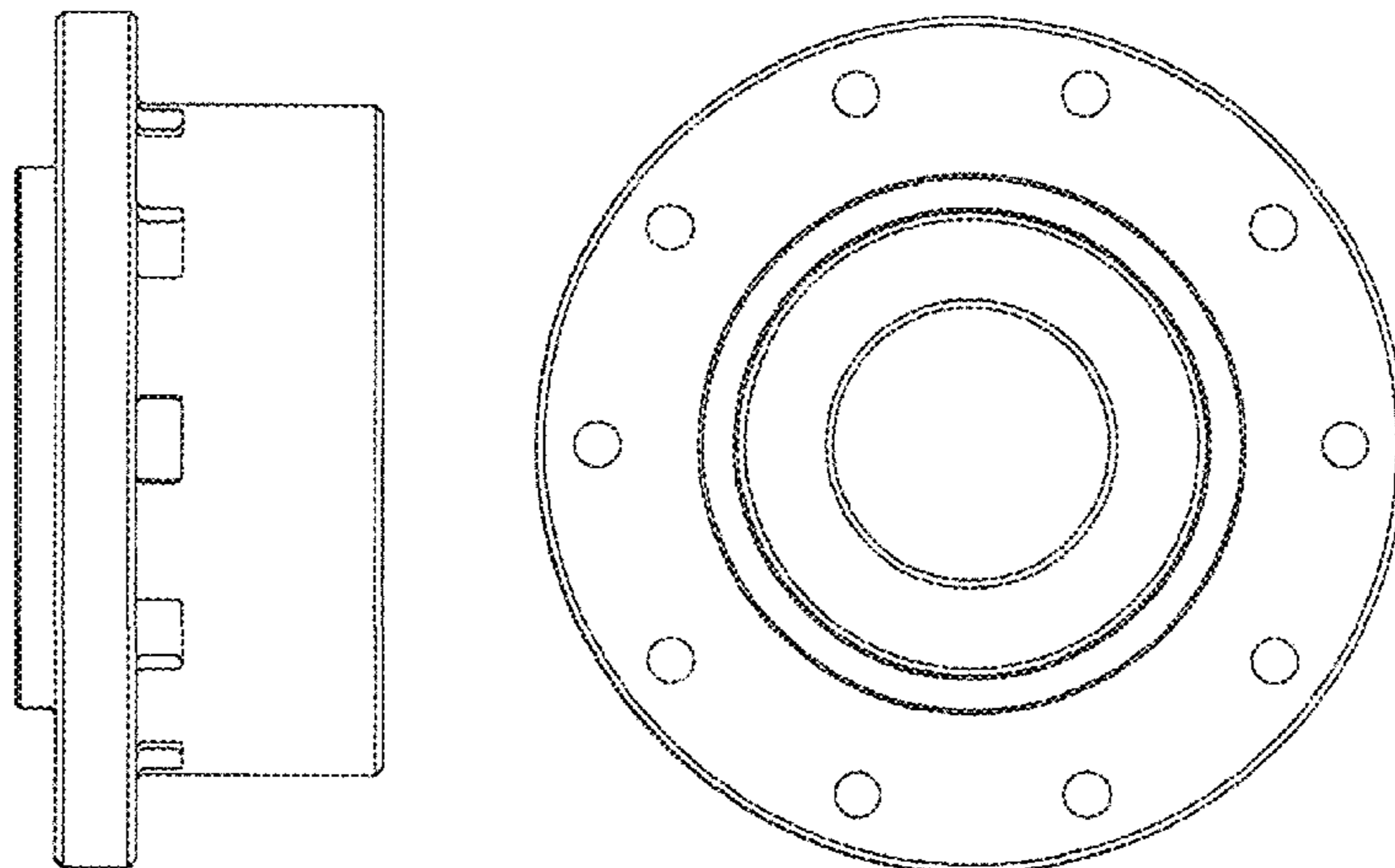
FIG. 3 is a left side view thereof.

FIG. 4 is a right side view thereof.

FIG. 5 is a cross-sectional view taken along line 5-5 in FIG.  
4; and,

FIG. 6 is a reference perspective view thereof.

**1 Claim, 6 Drawing Sheets**



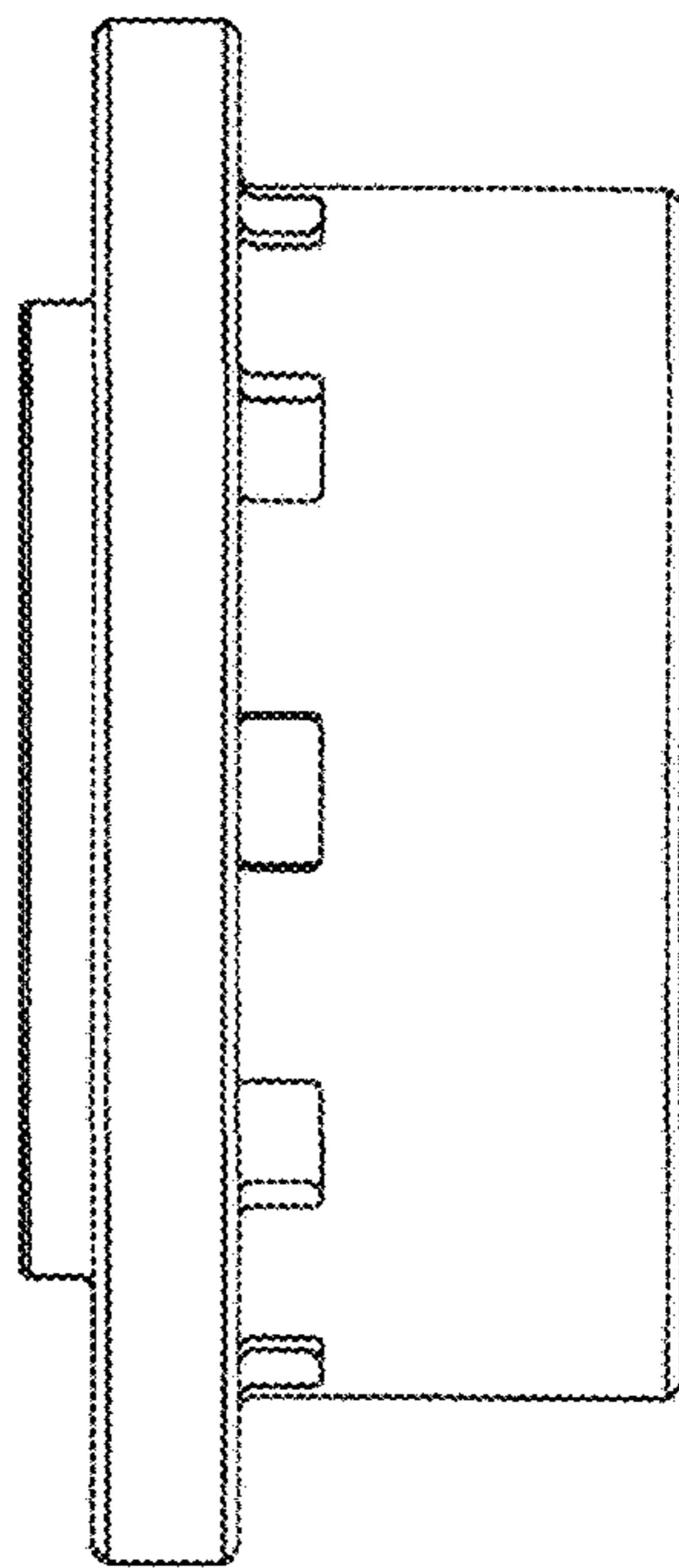


FIG. 1

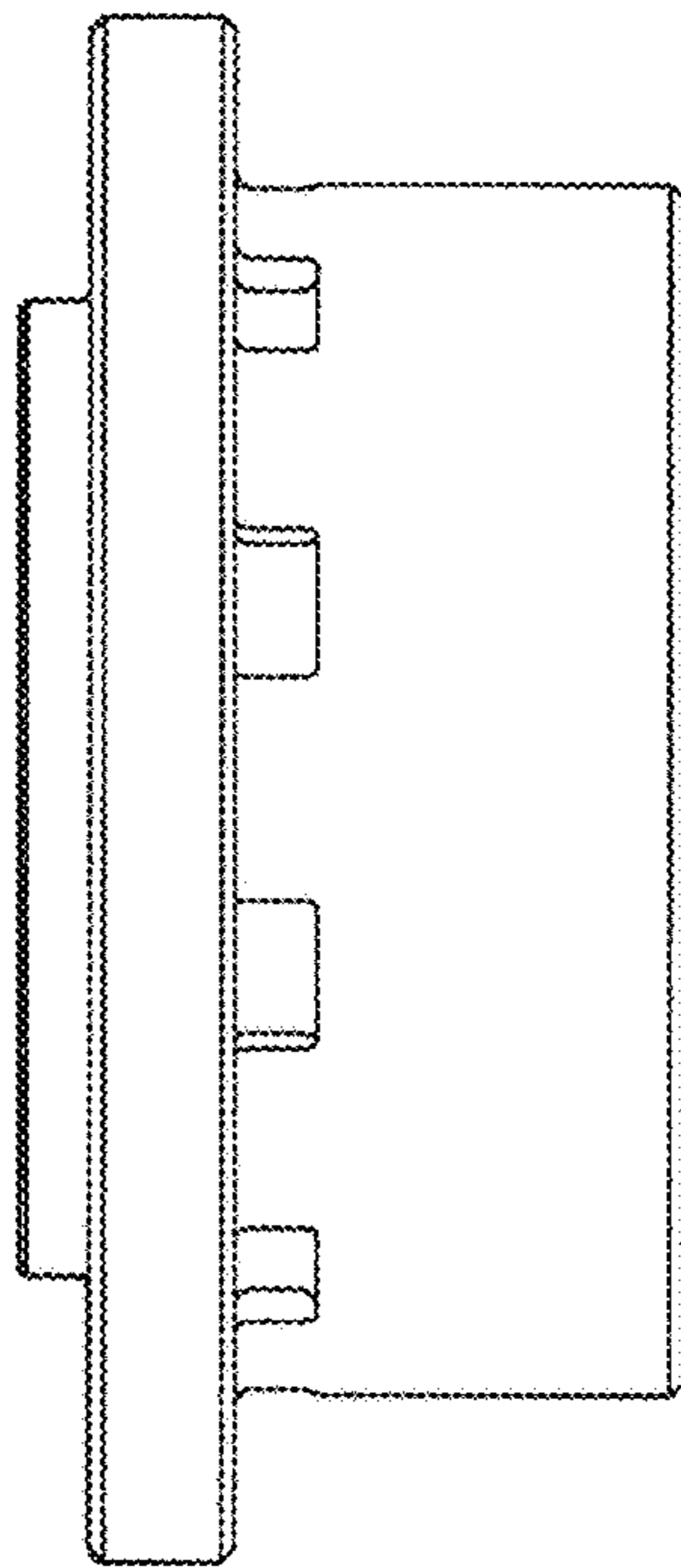


FIG. 2

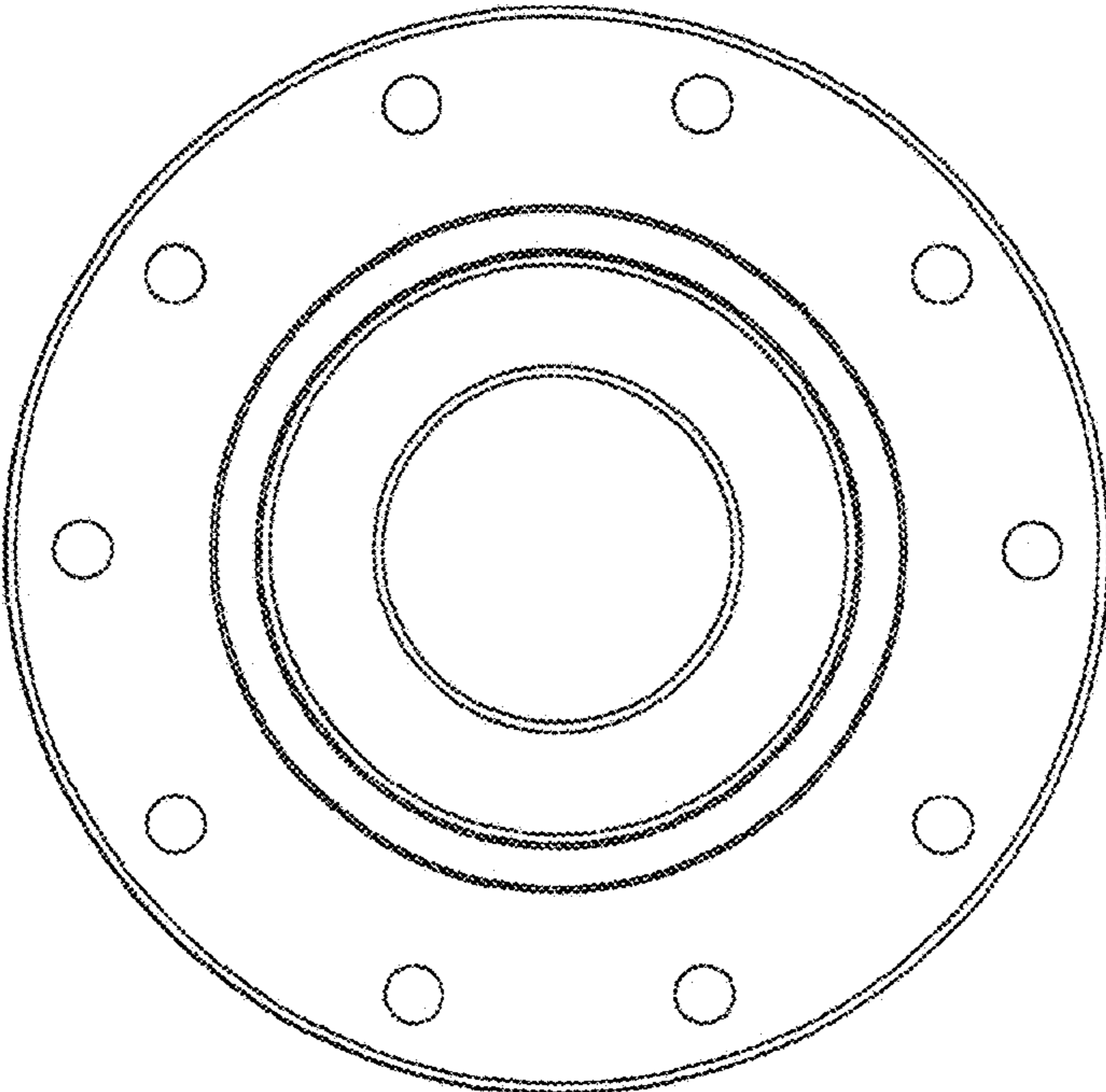


FIG. 3

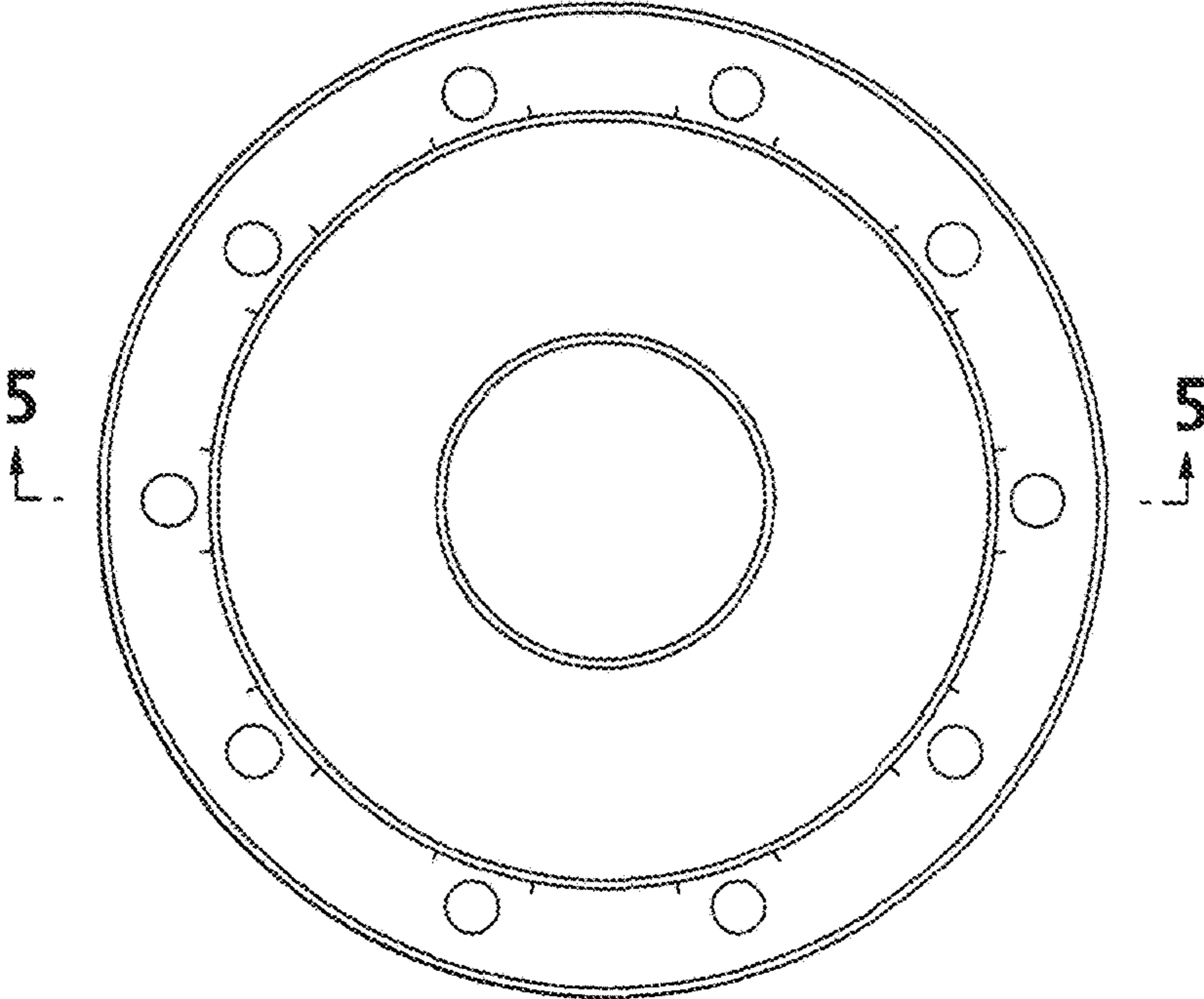


FIG. 4

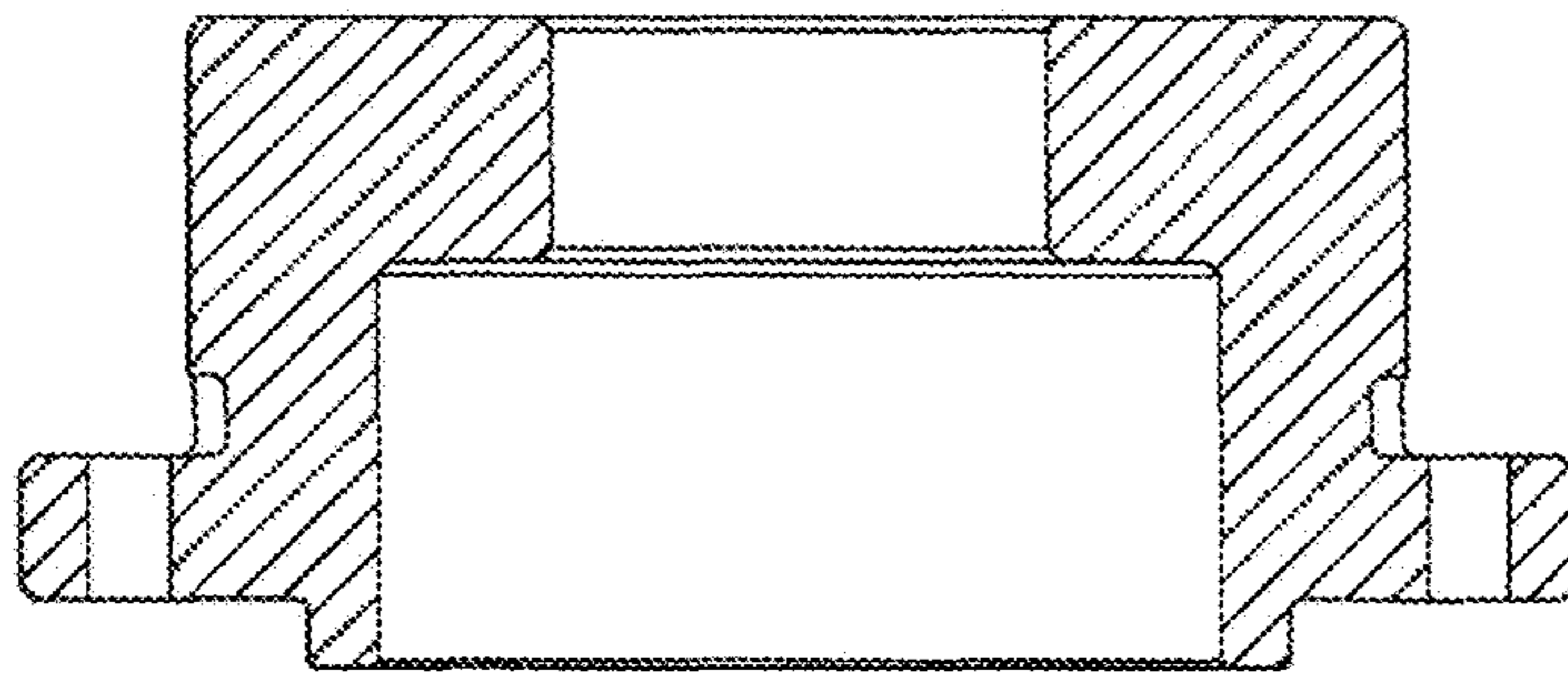


FIG. 5

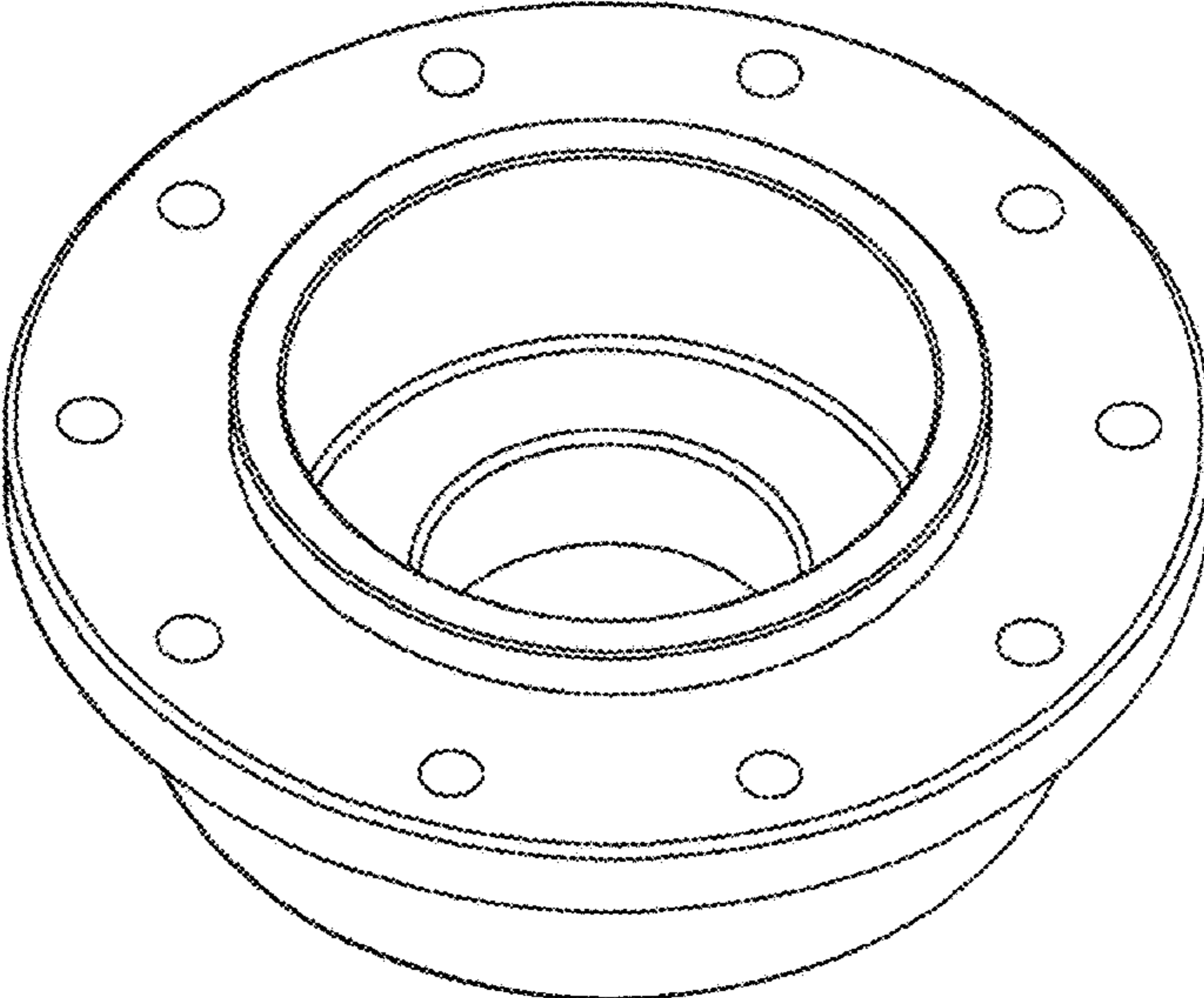


FIG. 6