



US00D868106S

(12) **United States Design Patent** (10) **Patent No.:** **US D868,106 S**
Imaishi et al. (45) **Date of Patent:** **** Nov. 26, 2019**

(54) **DISPLAY SCREEN WITH GRAPHICAL USER INTERFACE**

(71) Applicant: **Mitsubishi Electric Corporation,**
Tokyo (JP)

(72) Inventors: **Akiko Imaishi,** Tokyo (JP); **Shinsaku Fukutaka,** Tokyo (JP)

(73) Assignee: **Mitsubishi Electric Corporation,**
Tokyo (JP)

(**) Term: **15 Years**

(21) Appl. No.: **29/610,704**

(22) Filed: **Jul. 14, 2017**

(30) **Foreign Application Priority Data**

Apr. 18, 2017 (JP) 2017-008270

(51) **LOC (12) Cl.** **14-04**

(52) **U.S. Cl.**
USPC **D14/491**

(58) **Field of Classification Search**
USPC D14/485-495
CPC G06F 3/048; G06F 3/0481; G06F 3/04817;
G06F 3/0482; G06F 3/0483; B60Q 1/26;
B60Q 1/50
See application file for complete search history.

(56) **References Cited**

U.S. PATENT DOCUMENTS

D644,662 S * 9/2011 Gardner D14/491
D698,819 S * 2/2014 Gardner D14/488
D703,689 S * 4/2014 Kim D14/486
D705,805 S * 5/2014 Schweizer D14/489
D709,521 S * 7/2014 Choi D14/491

D753,176 S * 4/2016 Barbato D14/488
D754,190 S * 4/2016 Mariet D14/489
D755,841 S * 5/2016 Clement D14/485
D758,416 S * 6/2016 Cho D14/487
D761,310 S * 7/2016 Brinda D14/491
D766,320 S * 9/2016 Anzures D14/489
D769,935 S * 10/2016 Hall D14/489
D788,813 S * 6/2017 Tursi D14/489
D806,121 S * 12/2017 Jewitt D14/491
D816,688 S * 5/2018 Kim D14/485
D818,473 S * 5/2018 Inose D14/485
D836,661 S * 12/2018 Sakata D14/486
2017/0203685 A1 * 7/2017 Hirai B60Q 1/0023

* cited by examiner

Primary Examiner — Melanie H Tung

Assistant Examiner — Bao-Yen T Nguyen

(74) *Attorney, Agent, or Firm* — Stuebaker & Brackett
PC

(57) **CLAIM**

The ornamental design for a display screen with graphical user interface for vehicles, as shown and described.

DESCRIPTION

FIG. 1 is a front view of a display screen with graphical user interface for vehicles;
FIG. 2 is a left view thereof;
FIG. 3 is a top view thereof;
FIG. 4 is a front view thereof in a state of use; and,
FIG. 5 is a front view thereof in a state of use.
The broken lines seen in FIGS. 2 and 3 illustrate portions of the display screen and form no part of the claimed design. The broken lines seen in FIGS. 4 and 5 illustrate environment and form no part of the claimed design.
The right view is a mirror image of the left view. The bottom view is a mirror image of the top view.

1 Claim, 5 Drawing Sheets

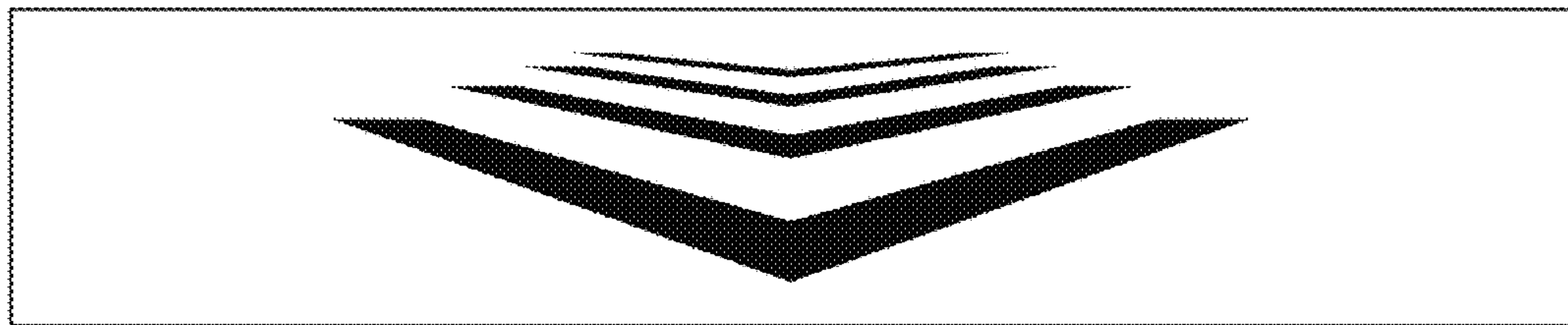


Fig.1

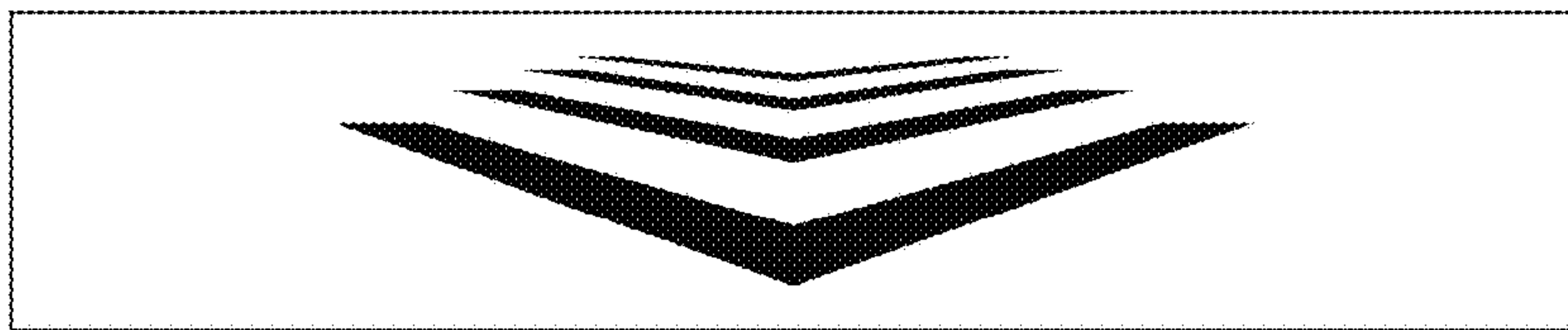


Fig.2

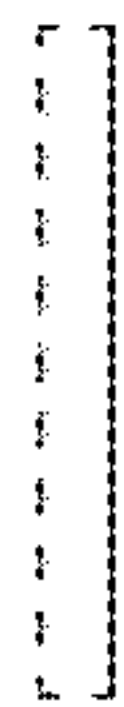


Fig.3

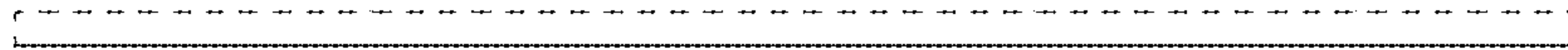


Fig.4

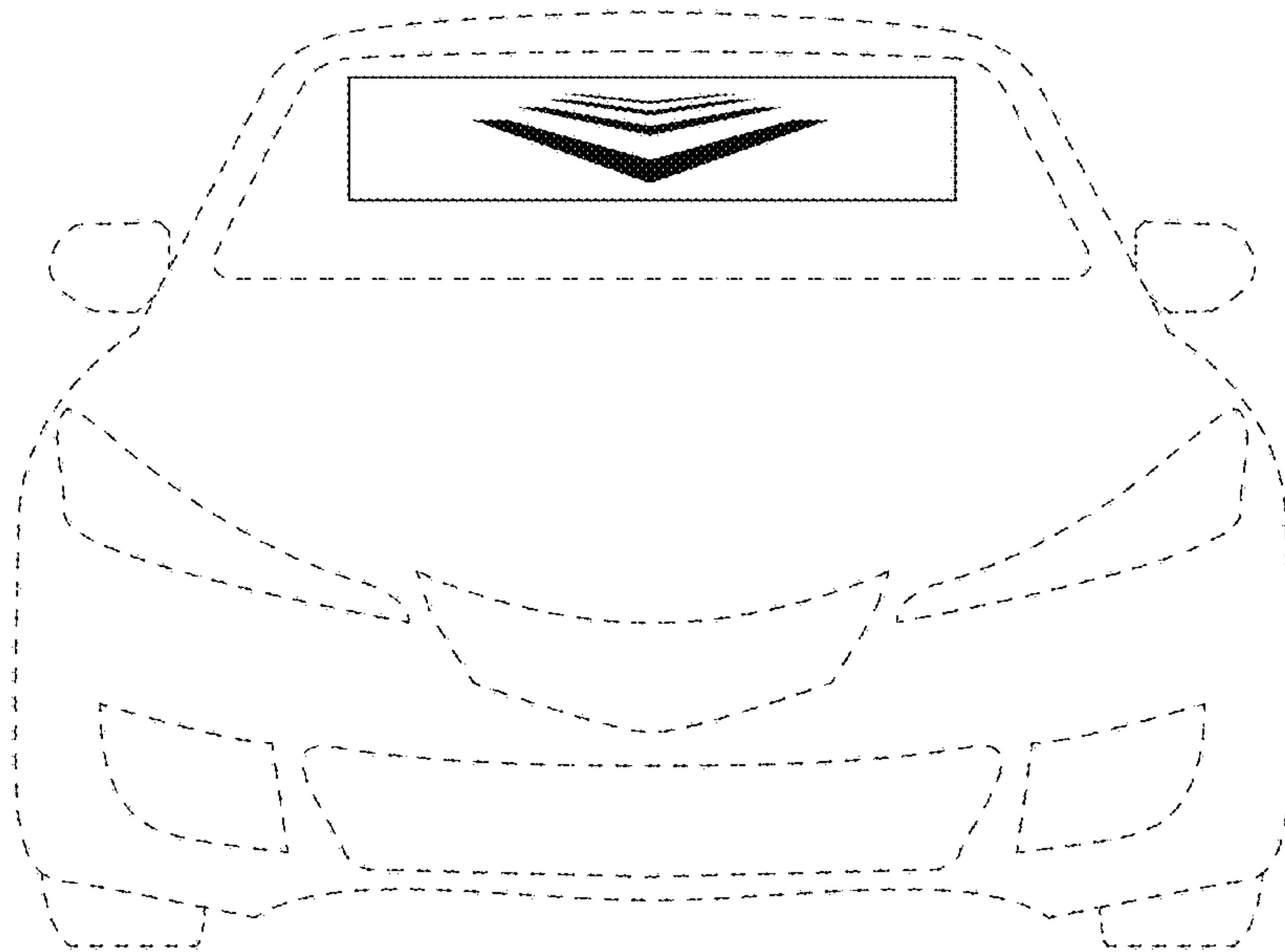


Fig.5

