

US00D868076S

(12) **United States Design Patent**
Huang

(10) **Patent No.:** **US D868,076 S**

(45) **Date of Patent:** **** Nov. 26, 2019**

(54) **USB DRIVE**

(71) Applicant: **Xuepeng Huang**, Guangdong (CN)

(72) Inventor: **Xuepeng Huang**, Guangdong (CN)

(**) Term: **15 Years**

(21) Appl. No.: **29/663,915**

(22) Filed: **Sep. 20, 2018**

(51) **LOC (12) Cl.** **14-03**

(52) **U.S. Cl.**
USPC **D14/480.1**

(58) **Field of Classification Search**
USPC D14/480.1-480.7, 435.1, 411, 433, 436,
D14/484.1, 137, 155, 203.1-203.8, 240,
D14/242; D13/133, 154
CPC H05K 5/0278; G06K 19/07732
See application file for complete search history.

(56) **References Cited**

U.S. PATENT DOCUMENTS

- D514,103 S * 1/2006 Huang D14/480.6
- D543,981 S * 6/2007 Diebel D14/480.6
- D559,249 S * 1/2008 Takei D14/480.6

- D606,999 S * 12/2009 He D14/480.7
- D609,713 S * 2/2010 Du D14/436
- D618,694 S * 6/2010 Andre D14/480.6
- D656,147 S * 3/2012 Schlosstein D14/436
- D669,457 S * 10/2012 Li D14/248
- D693,806 S * 11/2013 Shim D14/353
- D711,391 S * 8/2014 Lee D14/480.7
- D781,868 S * 3/2017 Liao D14/480.5
- D784,356 S * 4/2017 Luo D14/480.1
- D839,273 S * 1/2019 He D14/435.1

* cited by examiner

Primary Examiner — Angela J Lee

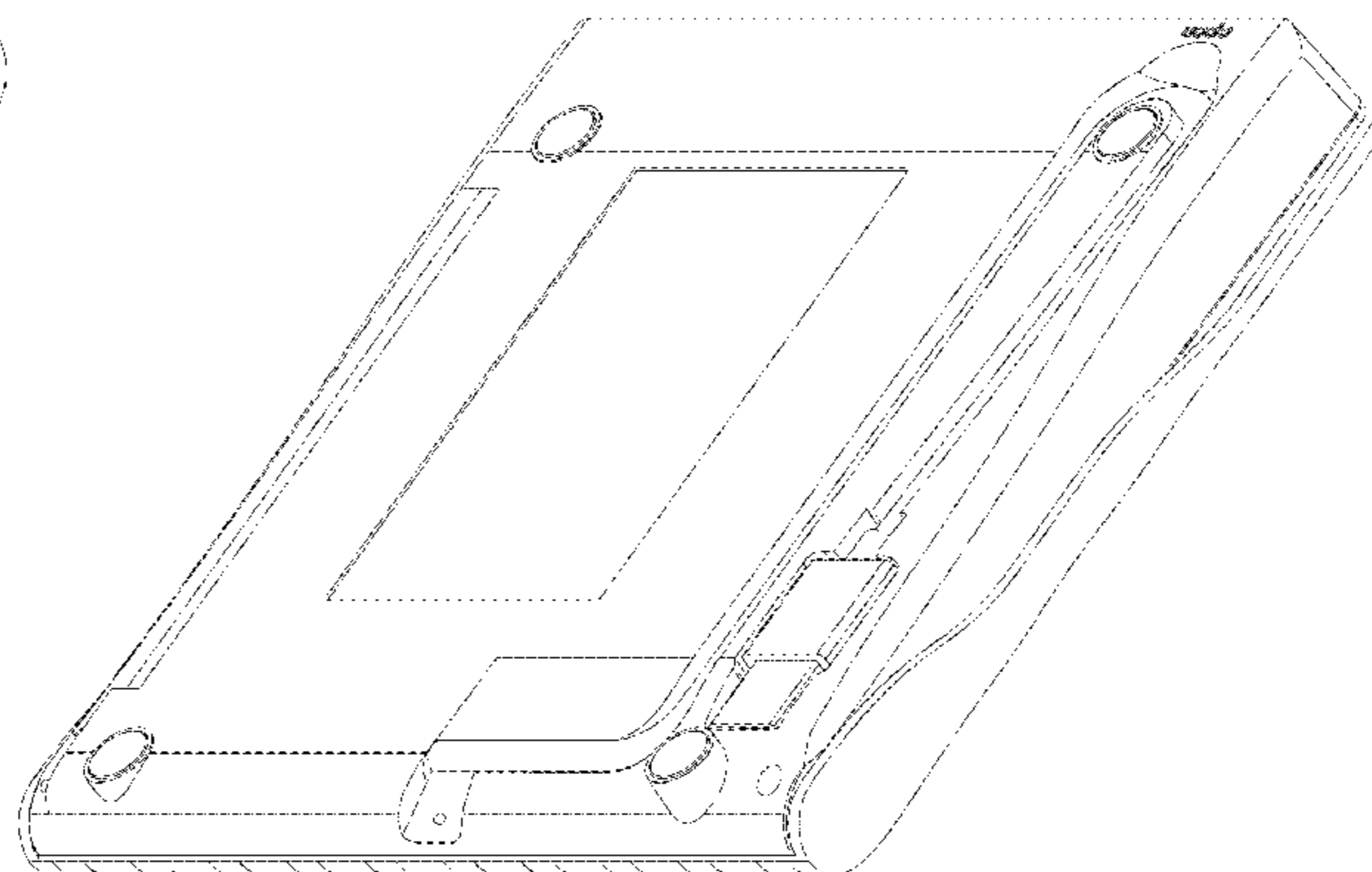
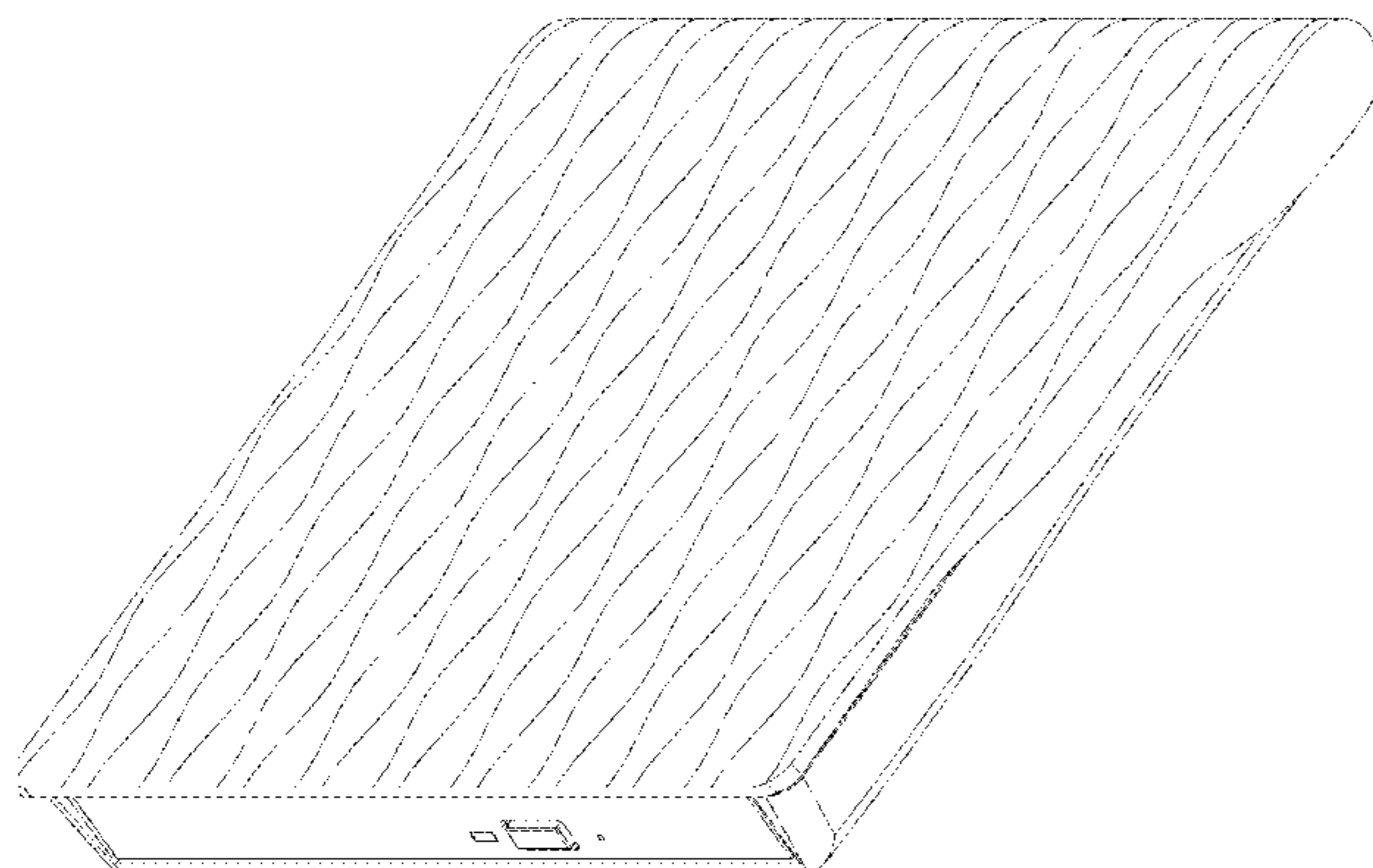
(57) **CLAIM**

The ornamental design for a USB drive, as shown.

DESCRIPTION

FIG. 1 is a front elevational view of a USB drive showing my new design;
 FIG. 2 is a rear elevational view thereof;
 FIG. 3 is a left side view thereof;
 FIG. 4 is a right side view thereof;
 FIG. 5 is a top plan view thereof;
 FIG. 6 is a bottom plan view thereof;
 FIG. 7 is a perspective view thereof; and,
 FIG. 8 is another perspective view thereof.

1 Claim, 6 Drawing Sheets



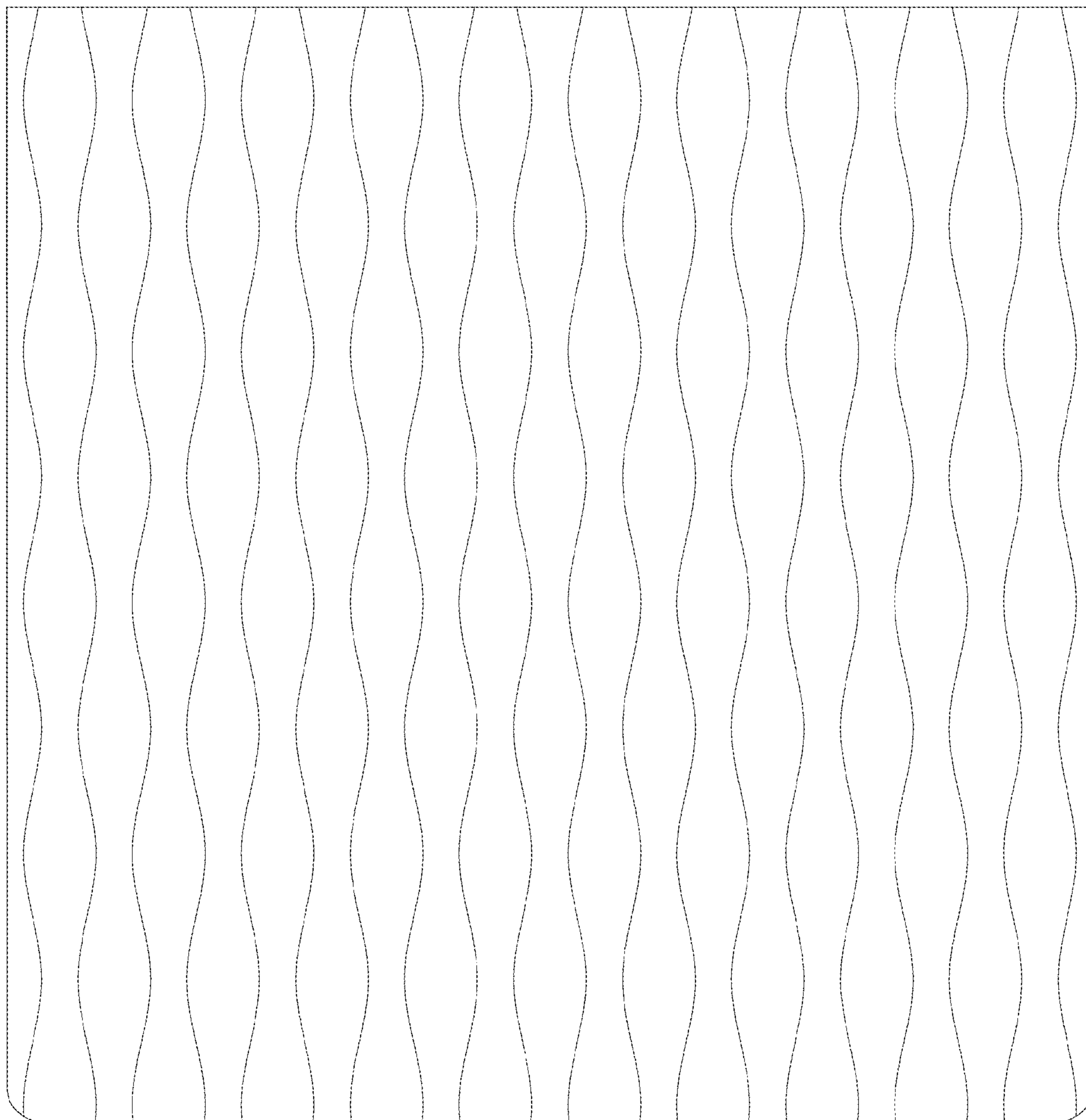


Fig. 1

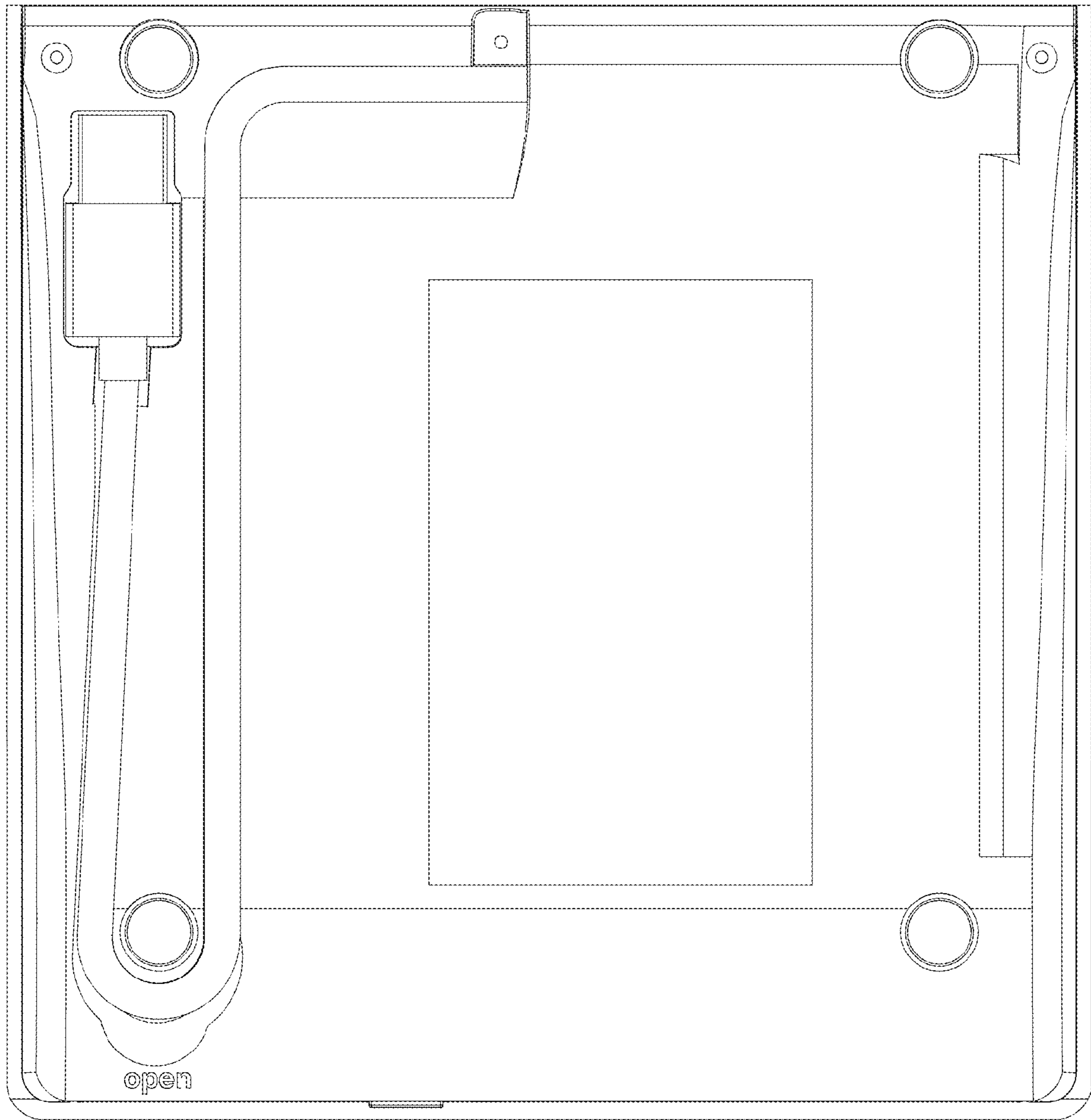


Fig. 2

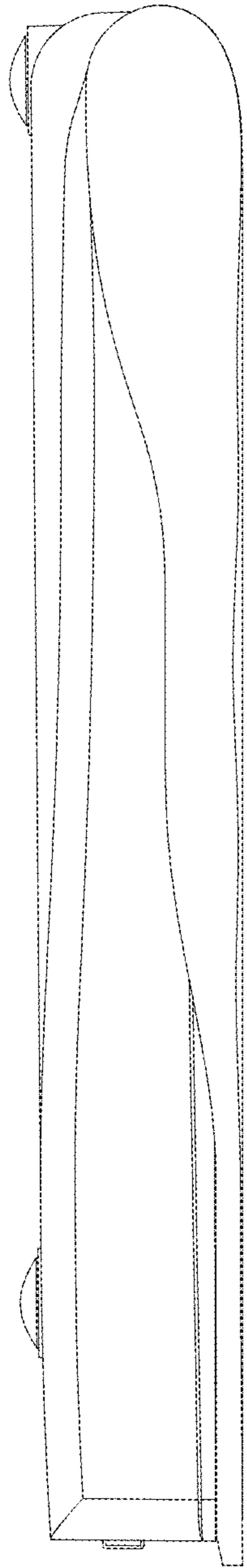


Fig. 3

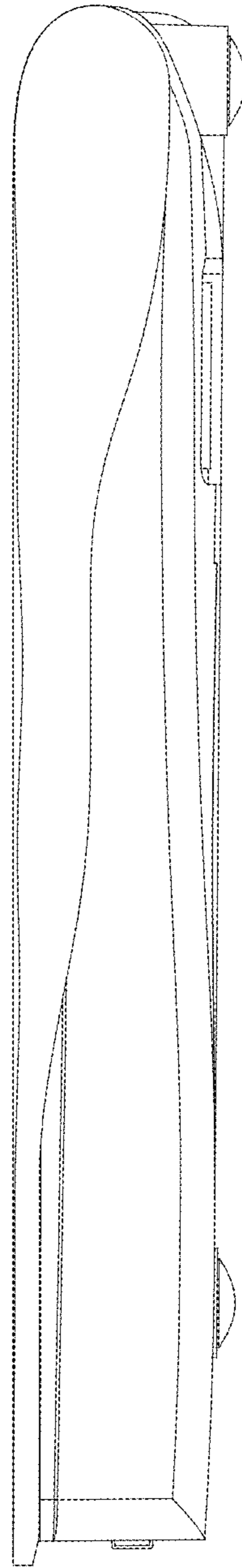


Fig. 4

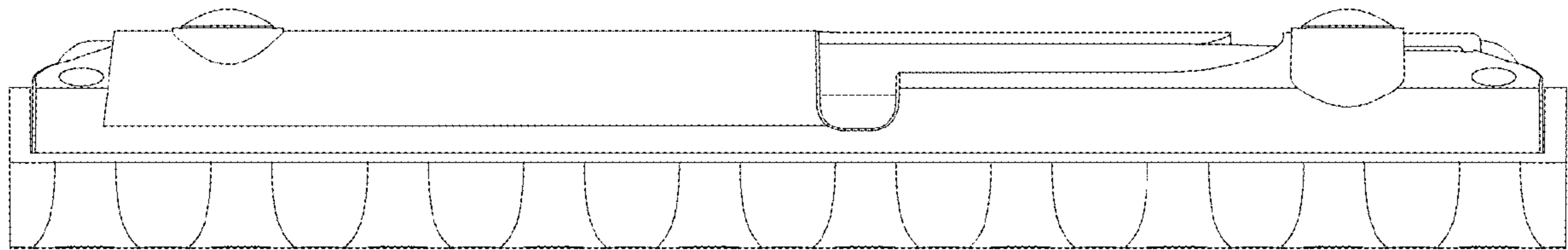


Fig. 5

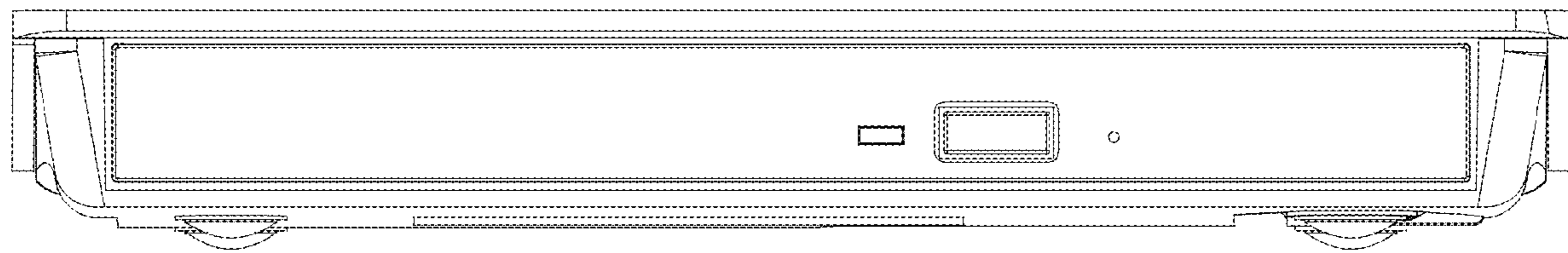


Fig. 6

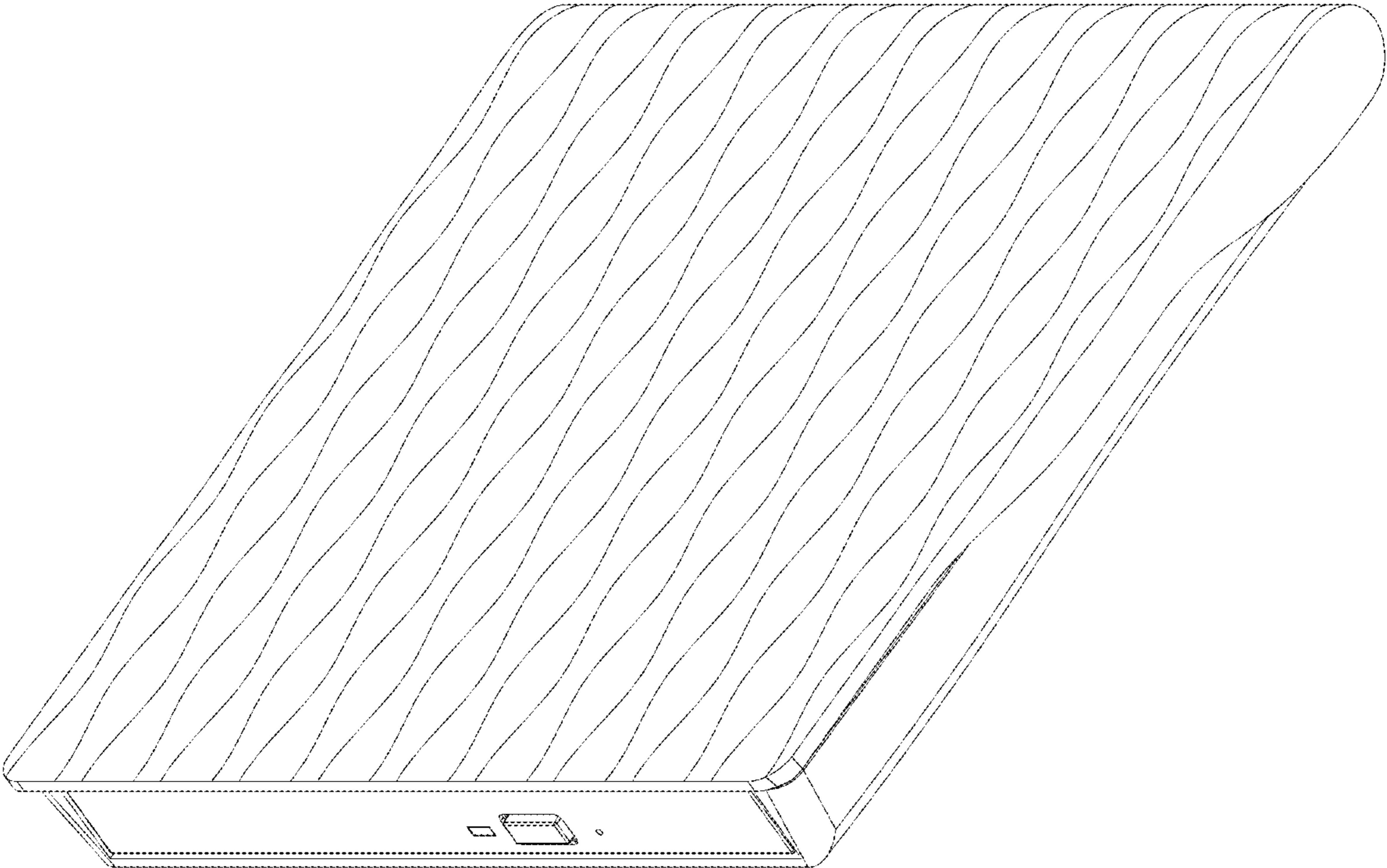


Fig. 7

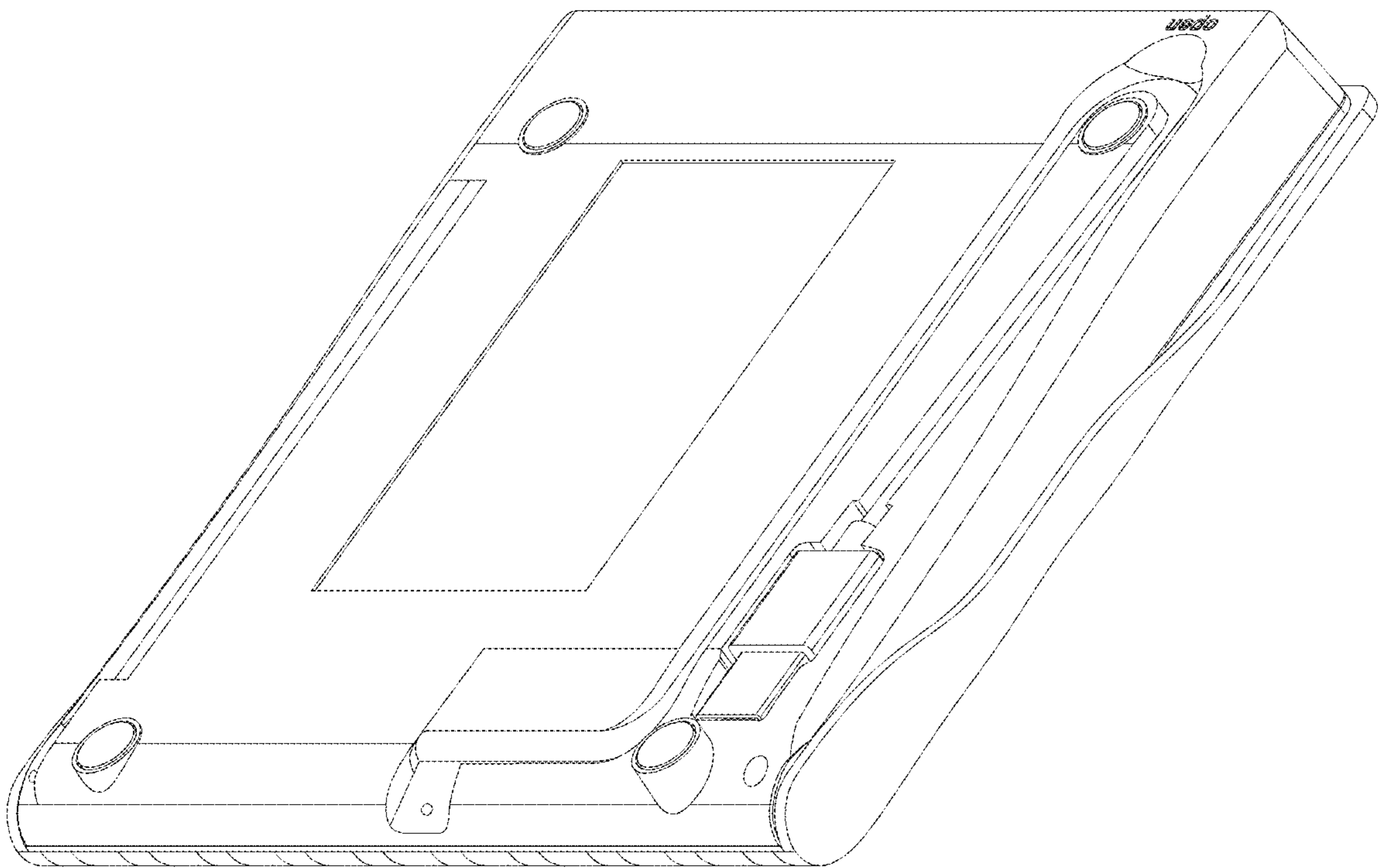


Fig. 8