



US00D868073S

(12) **United States Design Patent** (10) **Patent No.:** **US D868,073 S**
Smith (45) **Date of Patent:** **** Nov. 26, 2019**

(54) **ADJUSTABLE VIEWING STAND**
(71) Applicant: **R.D.S INDUSTRIES, INC.**, Torrance, CA (US)
(72) Inventor: **Richard D. Smith**, Fountain Hills, AZ (US)
(73) Assignee: **R.D.S. INDUSTRIES, INC.**, Torrance, CA (US)

8,328,008 B2 12/2012 Diebel et al.
D676,853 S 2/2013 Gengler
D693,824 S 11/2013 Erdfarb
D703,676 S * 4/2014 Smith D14/447
D705,785 S 5/2014 Wang
D712,412 S 9/2014 Bleau et al.
8,887,903 B2 11/2014 Diebel et al.
D728,581 S 5/2015 Feinberg et al.
D733,155 S 6/2015 van Hooft et al.
D737,837 S 9/2015 Bae et al.
D741,867 S 10/2015 Liu

(Continued)

(**) Term: **15 Years**
(21) Appl. No.: **29/675,202**

Primary Examiner — Angela J Lee
(74) *Attorney, Agent, or Firm* — Marshall A. Lerner; Marvin H. Kleinberg; Kleinberg & Lerner, LLP

(22) Filed: **Dec. 28, 2018**
(51) **LOC (12) Cl.** **08-07**
(52) **U.S. Cl.**
USPC **D14/447**

(57) **CLAIM**

The ornamental design for an adjustable viewing stand, as shown and described.

(58) **Field of Classification Search**
USPC D14/447, 432, 434, 439, 440, 451, 452, D14/457, 239; D8/363, 373, 380; D6/406.3, 406.4, 406.5, 406.6; D12/415; D21/330, 331
CPC A47B 21/04; A47B 2097/006; A47B 2097/005; A47B 2023/049; A45C 2011/002; A45C 2011/003; F16M 2200/00; F16M 13/00
See application file for complete search history.

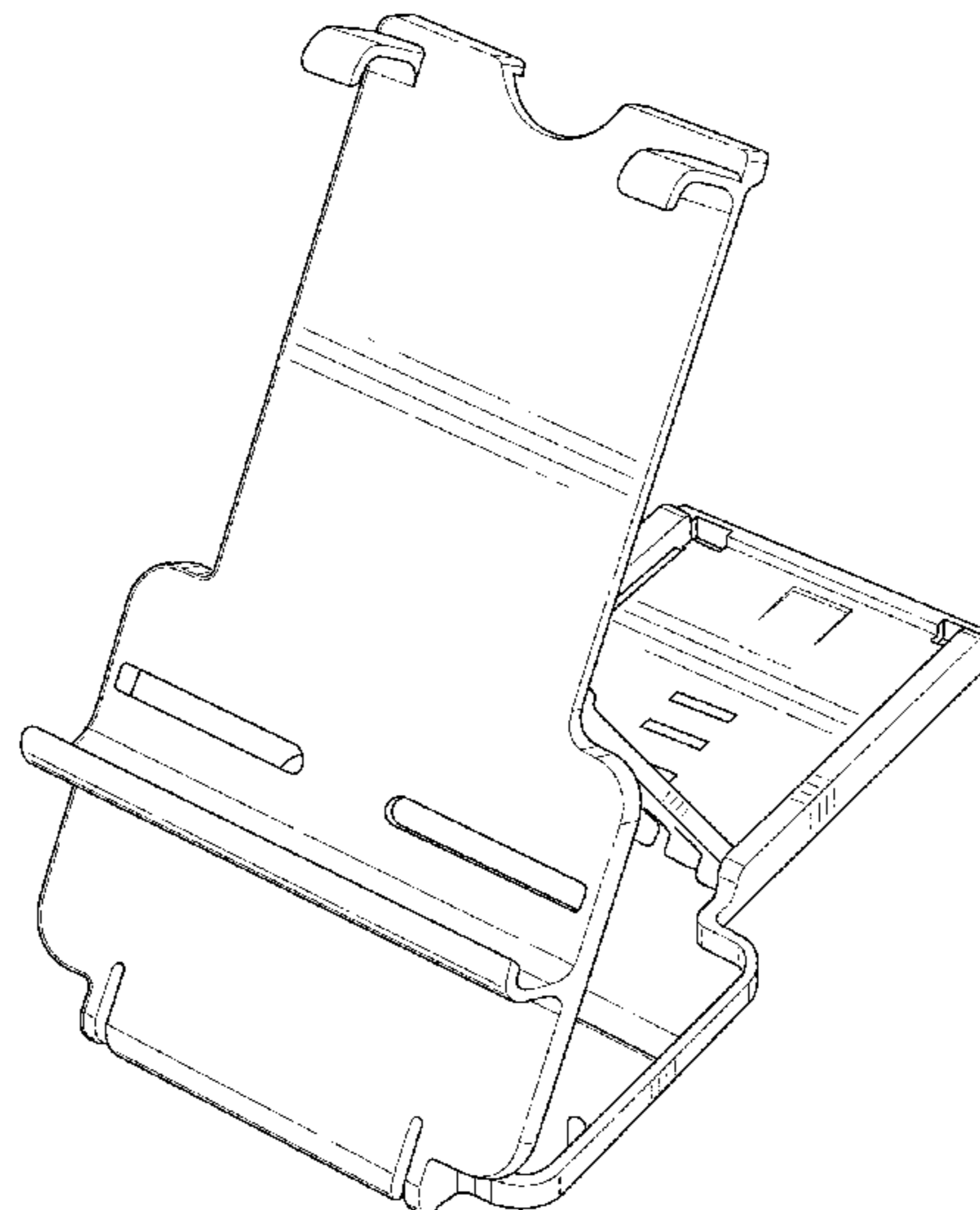
DESCRIPTION

FIG. 1 is a front perspective view of the adjustable viewing stand in the open position showing my new design; FIG. 2 a front perspective view thereof adapted for holding a device; FIG. 3 is a rear perspective view thereof; FIG. 4 is a rear perspective view thereof in the closed position; FIG. 5 is a front elevation view thereof in the closed position; FIG. 6 is a rear elevation view thereof in the closed position; FIG. 7 is a right elevation view thereof the closed position; FIG. 8 is a left elevation view thereof in the closed position; FIG. 9 is a top plan view thereof in the closed position; and, FIG. 10 is a bottom plan view in the closed position. The broken lines are included for illustrative purposes only and form no part of the claim.

(56) **References Cited**
U.S. PATENT DOCUMENTS

5,927,673 A 7/1999 Kurokawa et al.
D513,008 S 12/2005 Takizawa et al.
D594,849 S 6/2009 Ko
7,561,415 B2 7/2009 Liou et al.
D639,816 S 6/2011 Bau
D644,428 S 9/2011 Feng
D658,168 S * 4/2012 Werth D14/253

1 Claim, 10 Drawing Sheets



(56)

References Cited

U.S. PATENT DOCUMENTS

D750,634 S	3/2016	Langhein	
D756,367 S *	5/2016	Kim	D14/447
D763,855 S	8/2016	Poon et al.	
D784,355 S *	4/2017	Hsu	D14/447
9,661,906 B2	5/2017	Diebel et al.	
D808,973 S	1/2018	Chen	
D822,996 S	7/2018	Ehara et al.	
D825,575 S *	8/2018	Gao	D14/447
D829,725 S *	10/2018	Luo	D14/447
D833,446 S *	11/2018	Elder	D14/447
D833,447 S	11/2018	Zhang et al.	
D839,869 S *	2/2019	Wang	D14/253
D840,407 S *	2/2019	Hsu	D14/447
D842,305 S *	3/2019	Gao	D14/447

* cited by examiner

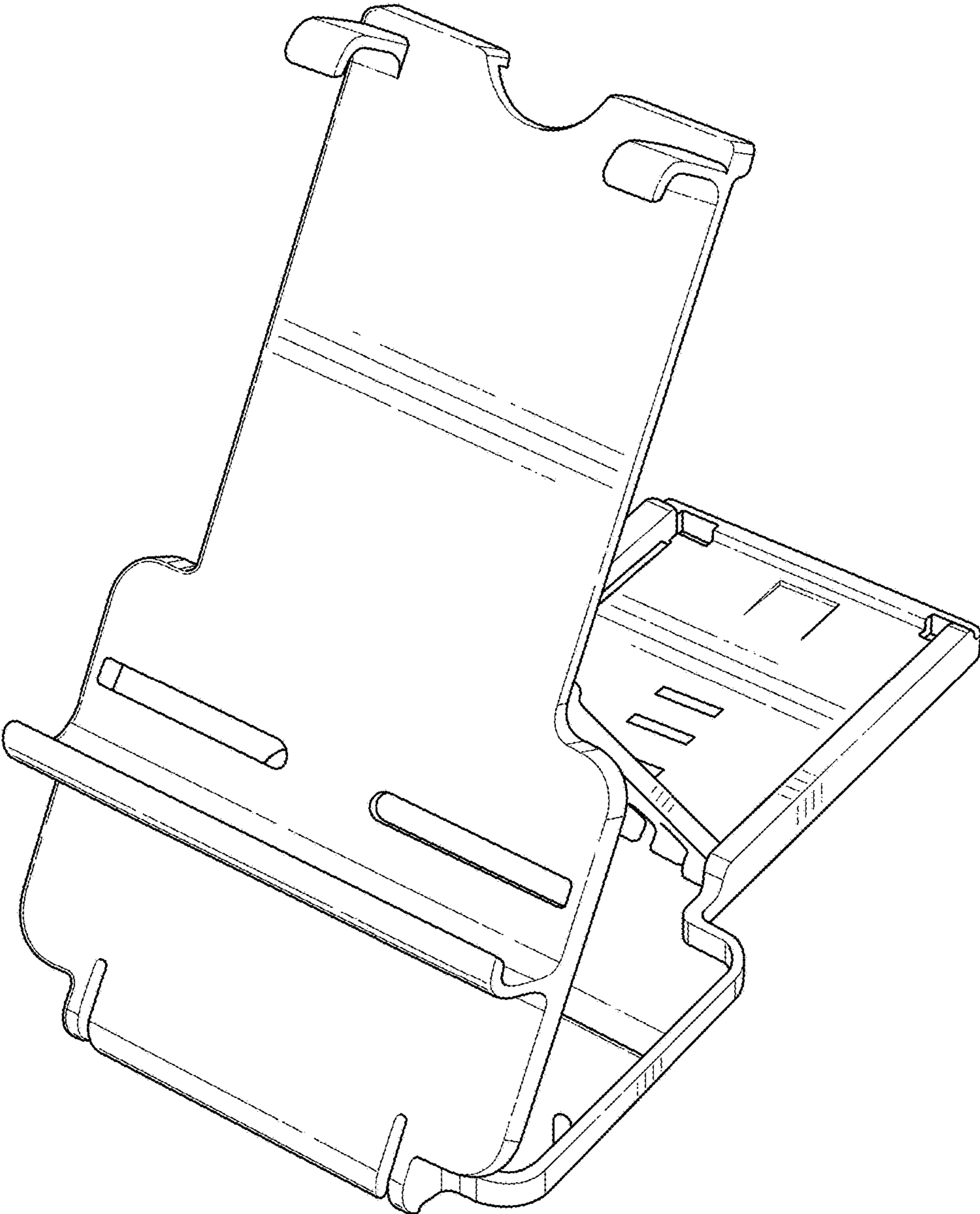


FIG. 1

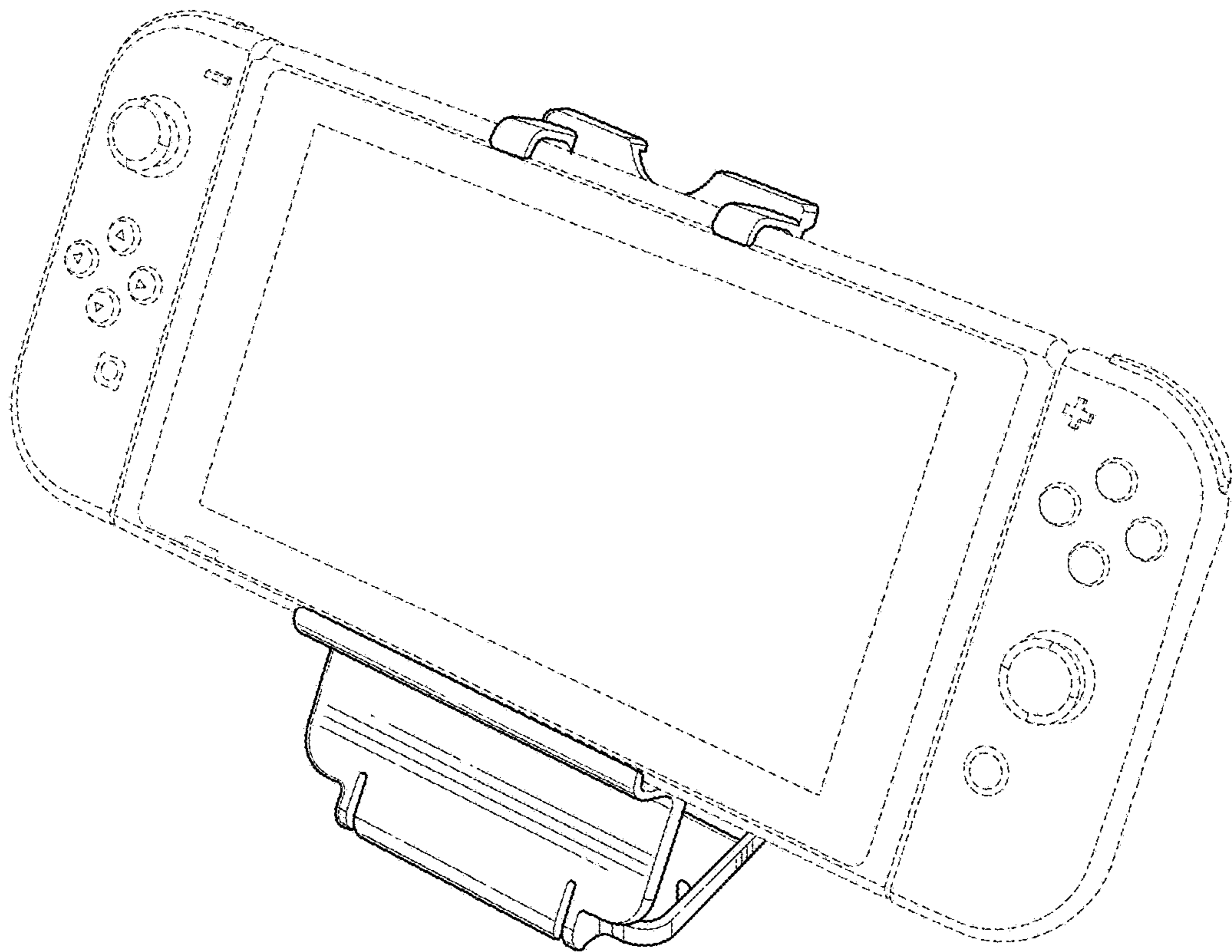


FIG. 2

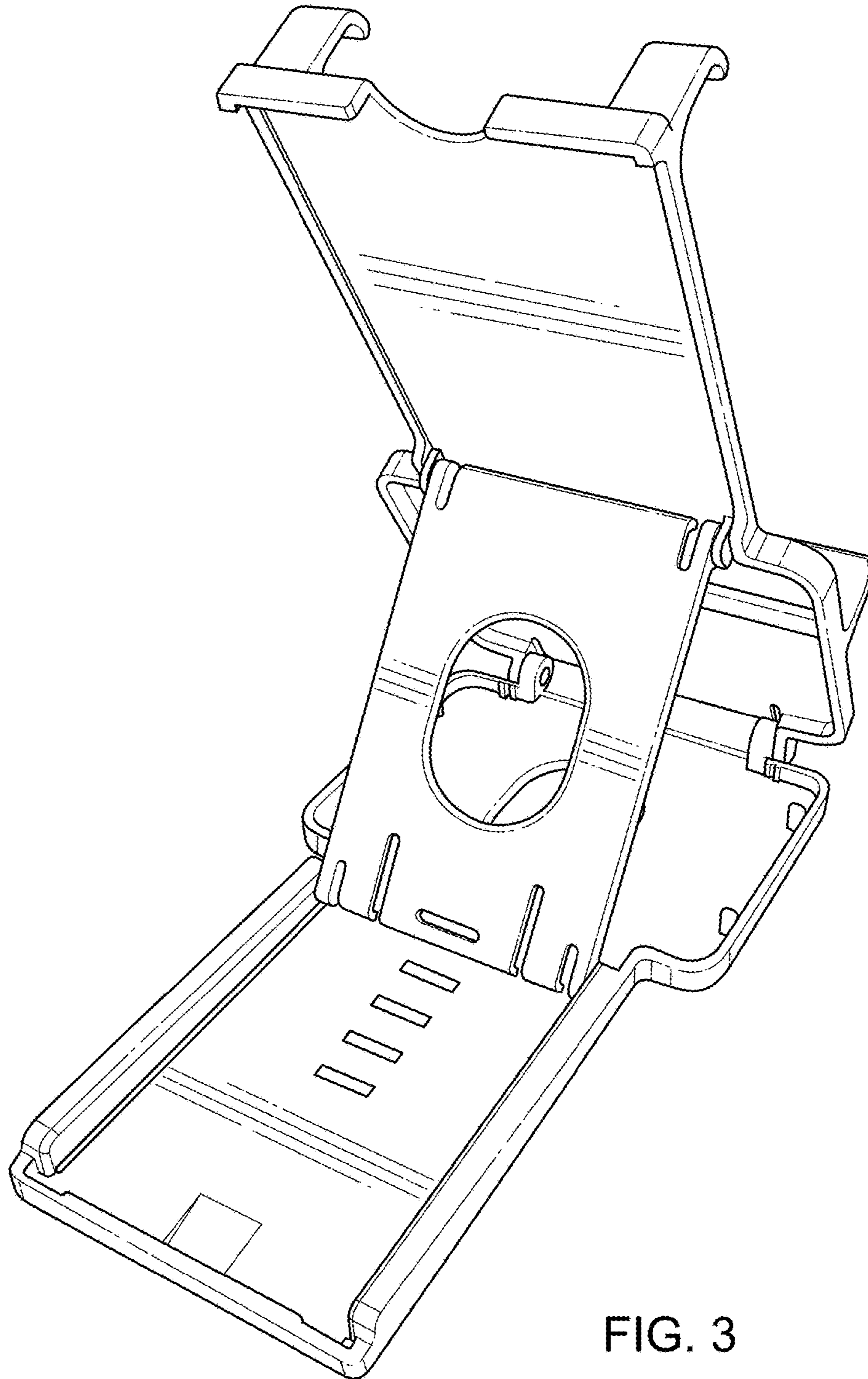


FIG. 3

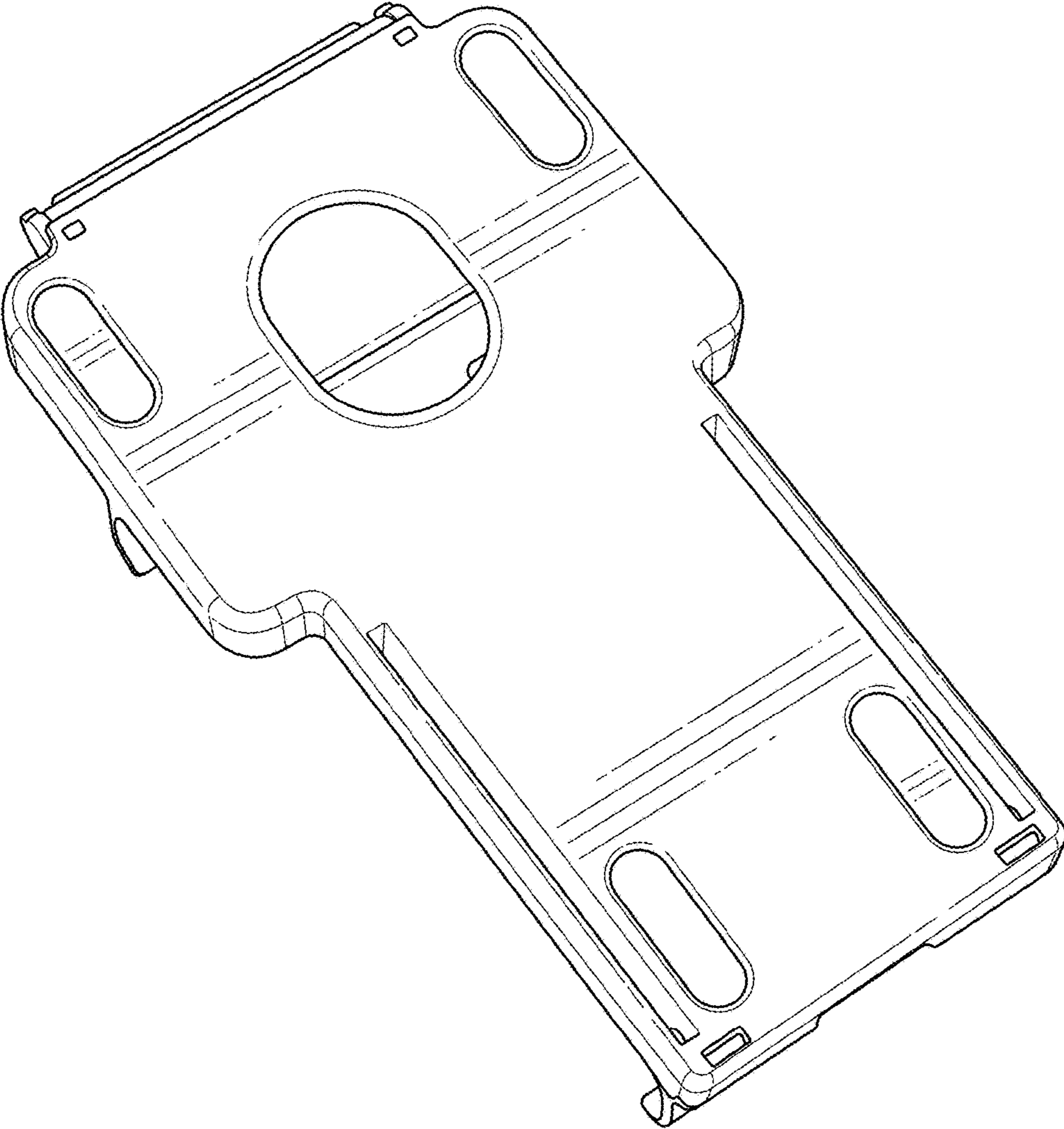


FIG. 4

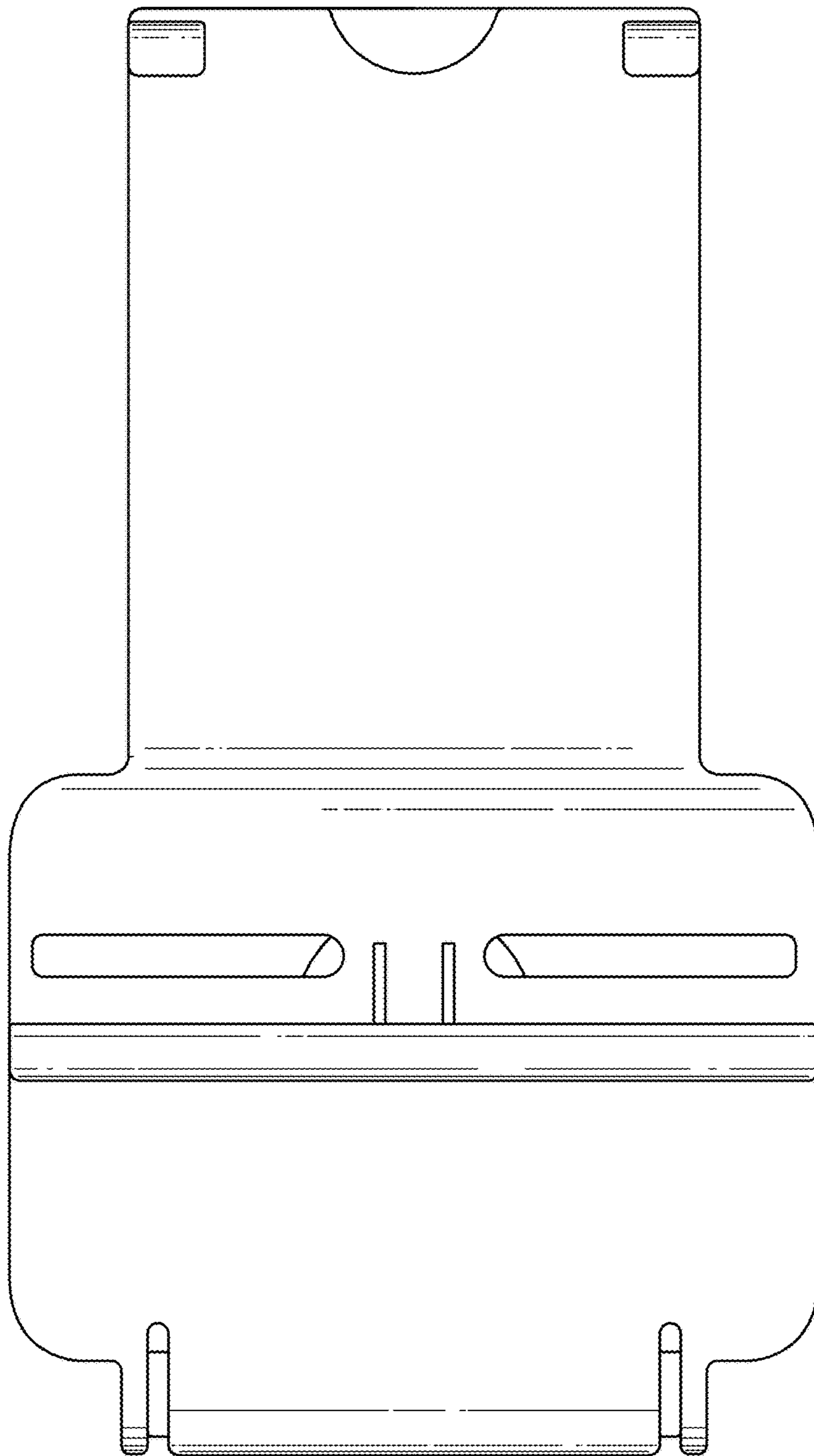


FIG. 5

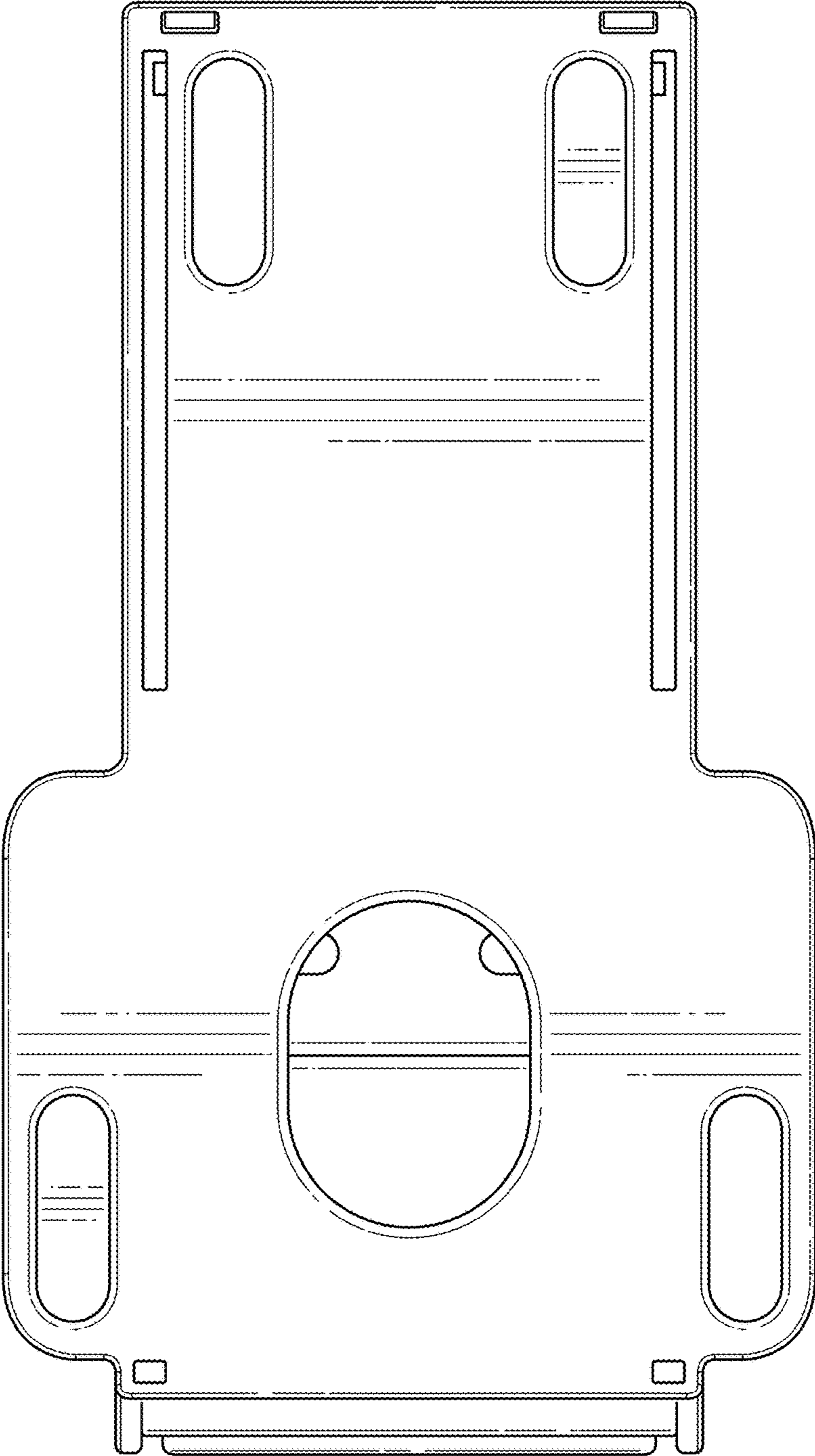


FIG. 6

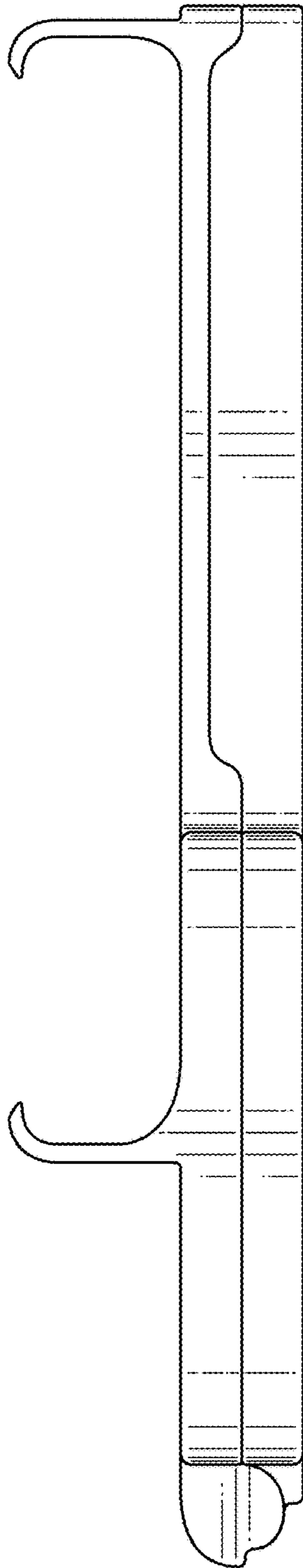


FIG. 7

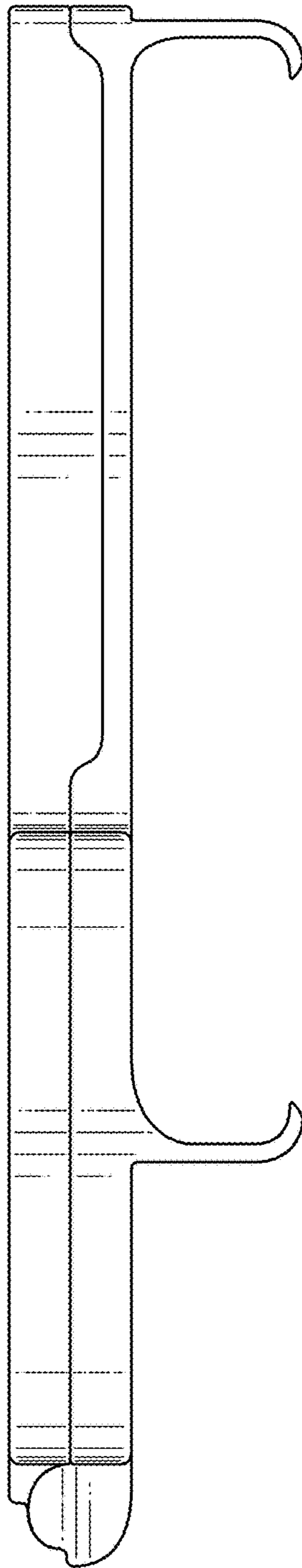


FIG. 8

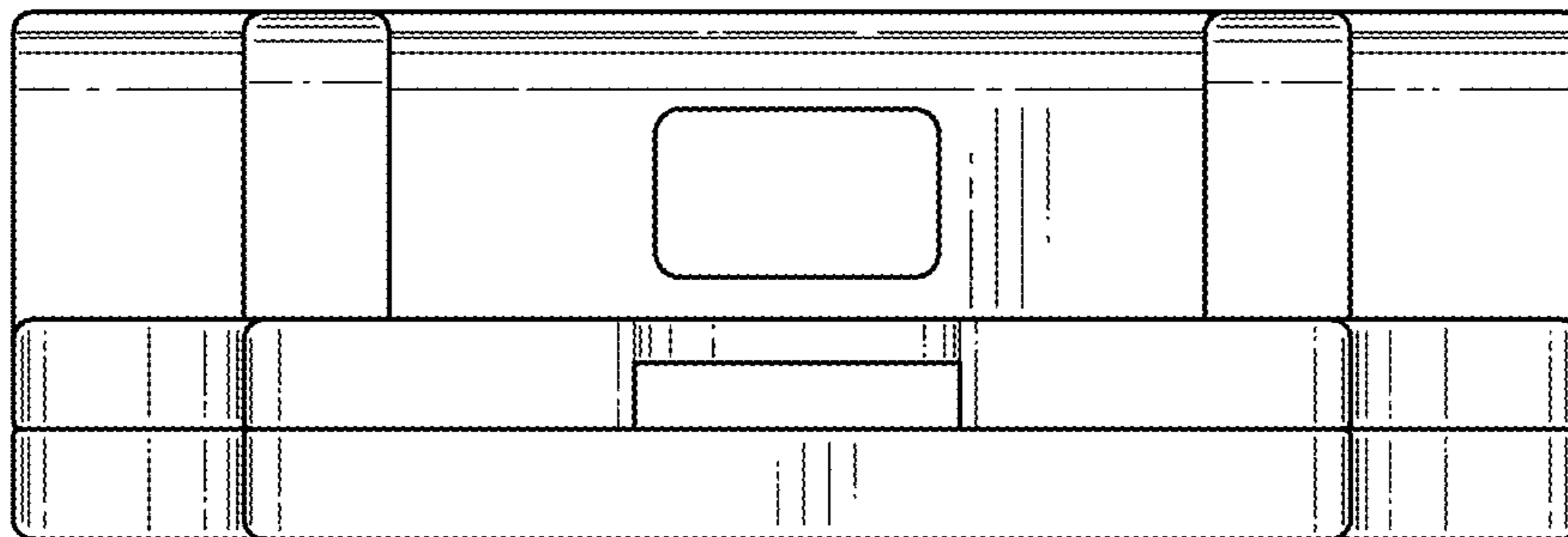


FIG. 9

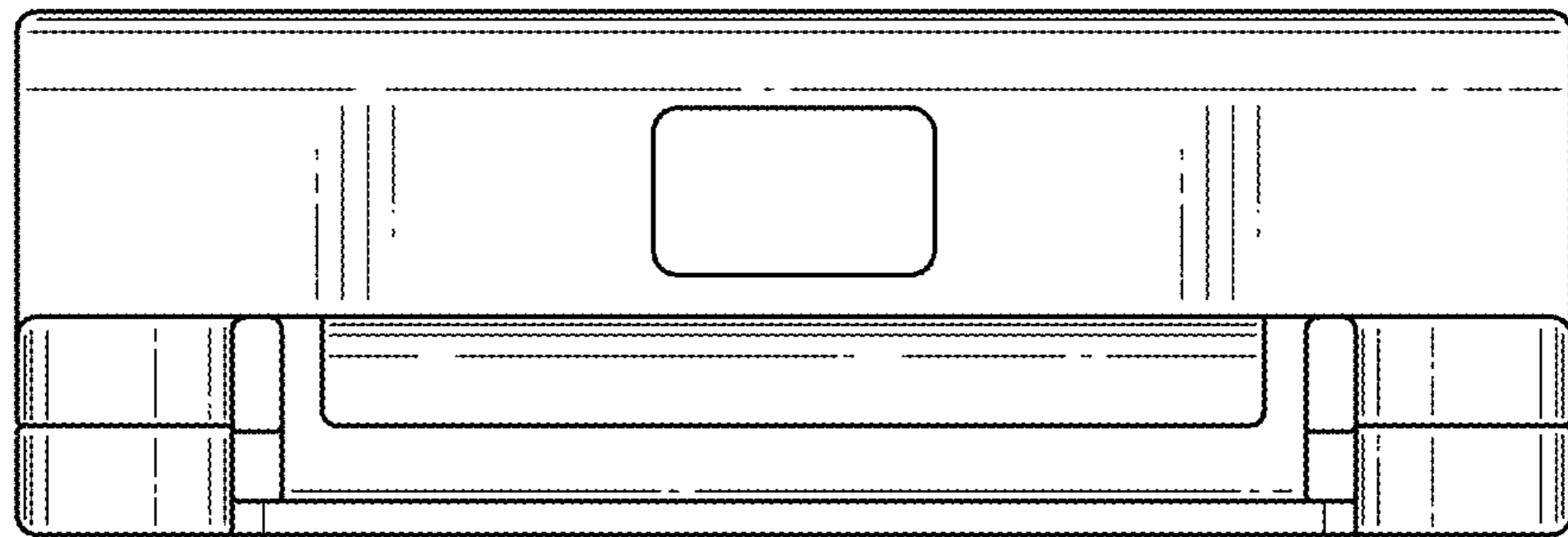


FIG. 10