



US00D868072S

(12) **United States Design Patent** (10) **Patent No.:** **US D868,072 S**
Lei (45) **Date of Patent:** **** Nov. 26, 2019**

(54) **TABLET CASE STAND**
(71) Applicant: **Shenzhen Tuoshang Yike Trading Co., Ltd., Shenzhen (CN)**
(72) Inventor: **Guihua Lei, Shenzhen (CN)**
(**) Term: **15 Years**
(21) Appl. No.: **29/674,368**
(22) Filed: **Dec. 20, 2018**
(51) **LOC (12) Cl.** **14-02**
(52) **U.S. Cl.**
USPC **D14/440**
(58) **Field of Classification Search**
USPC D14/440, 447, 250; 206/45.23, 320,
206/45.2; 361/679.55; 294/25; 224/218
CPC G06F 1/1628; G06F 1/1626; A47B 23/044
See application file for complete search history.

D744,492 S * 12/2015 Lin G06F 1/1632
D14/440
D753,648 S * 4/2016 Shyu D14/315
9,307,062 B2 * 4/2016 Kim H04M 1/04
D764,472 S * 8/2016 Corcoran D14/440
D772,880 S * 11/2016 Corcoran D14/440
9,489,054 B1 * 11/2016 Sumsion G06F 3/0208
D773,470 S * 12/2016 Akana D14/440
D779,485 S * 2/2017 Akana D14/345
9,578,941 B2 * 2/2017 MacLachlan F16M 11/38
D789,342 S * 6/2017 Sirichai D14/250
D792,887 S * 7/2017 Zhang D14/440
9,717,314 B2 * 8/2017 Idehara A45C 11/00
D807,363 S * 1/2018 Hallier D14/440
D807,365 S * 1/2018 Liu D14/440
D807,892 S * 1/2018 Wang D14/440
D808,394 S * 1/2018 Lakraa D14/440
D808,395 S * 1/2018 Fenton D14/440
D811,390 S * 2/2018 Kim D14/345
D811,411 S * 2/2018 Moore D14/440
D819,038 S * 5/2018 Diebel D14/440
D820,839 S * 6/2018 Akana D14/345

(Continued)

Primary Examiner — Cynthia R Underwood
(74) Attorney, Agent, or Firm — Morgan Law Offices, PLC

(56) **References Cited**
U.S. PATENT DOCUMENTS

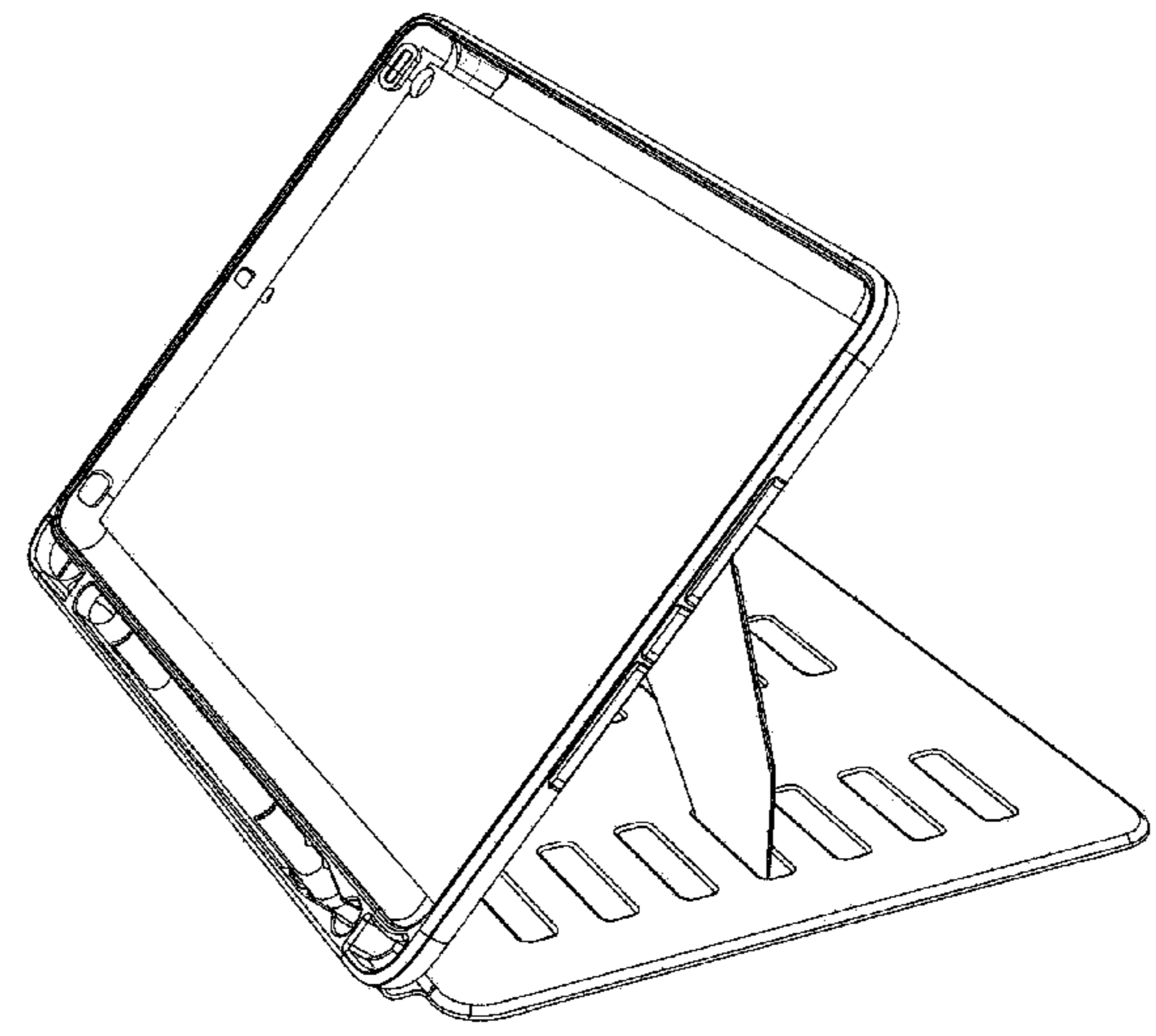
D667,831 S * 9/2012 Stravitz D14/447
D696,256 S * 12/2013 Piedra D14/440
D696,669 S * 12/2013 Akana D14/440
D700,611 S * 3/2014 Boldetti D14/440
D719,169 S * 12/2014 McBroom D14/440
8,905,231 B2 * 12/2014 Couch A45C 11/00
206/320
8,960,421 B1 * 2/2015 Diebel G06F 1/1679
206/320
D723,568 S * 3/2015 Kim D14/440
D724,090 S * 3/2015 Kim D14/440
D727,916 S * 4/2015 Melmon D14/440
D727,919 S * 4/2015 Melmon D14/440
D729,253 S * 5/2015 Nyholm D14/440
D733,152 S * 6/2015 Sirichai D14/440
D734,340 S * 7/2015 Kim D14/440
9,095,194 B2 * 8/2015 Hassett A45C 11/00
D744,489 S * 12/2015 Sirichai D14/440

(57) **CLAIM**
The ornamental design for the tablet case stand, as shown.

DESCRIPTION

FIG. 1 is a perspective view of a tablet case stand showing my new design;
FIG. 2 is a top view thereof;
FIG. 3 is another top view thereof;
FIG. 4 is a back view thereof;
FIG. 5 is a right side view thereof;
FIG. 6 is a left side view thereof; and,
FIG. 7 is a bottom view thereof.

1 Claim, 7 Drawing Sheets



(56)

References Cited

U.S. PATENT DOCUMENTS

D822,675 S * 7/2018 Zhu D14/455
 D832,270 S * 10/2018 Cheng D14/440
 2007/0057140 A1* 3/2007 Liou F16M 11/10
 2008/0029412 A1* 2/2008 Ho A47B 21/0314
 2008/0167095 A1* 7/2008 Kim H04M 1/0216
 2009/0159763 A1* 6/2009 Kim F16M 13/00
 2009/0178938 A1* 7/2009 Palmer A45C 5/03
 2009/0194209 A1* 8/2009 De Filippis A45C 11/00
 2009/0201254 A1* 8/2009 Rais G06F 1/1613
 2010/0294909 A1* 11/2010 Hauser A47B 23/043
 2010/0300909 A1* 12/2010 Hung H04M 1/04
 2011/0227463 A1* 9/2011 Hou A45C 9/00

2011/0266194 A1* 11/2011 Bau A45C 11/00
 2011/0290687 A1* 12/2011 Han A45C 3/02
 2011/0297566 A1* 12/2011 Gallagher F16M 11/105
 2012/0140396 A1* 6/2012 Zelif G06F 1/1628
 2013/0140194 A1* 6/2013 Han G06F 1/1656
 2013/0233762 A1* 9/2013 Balaji B65D 25/00
 2013/0264459 A1* 10/2013 McCosh G06F 1/1626
 2014/0291175 A1* 10/2014 Chung G06F 1/1656
 2015/0296060 A1* 10/2015 Gu H04M 1/0235
 2015/0296068 A1* 10/2015 Chin G06F 1/1628
 2016/0011628 A1* 1/2016 Sato G06F 1/1656
 2016/0187937 A1* 6/2016 Ahee G06F 1/1681

* cited by examiner

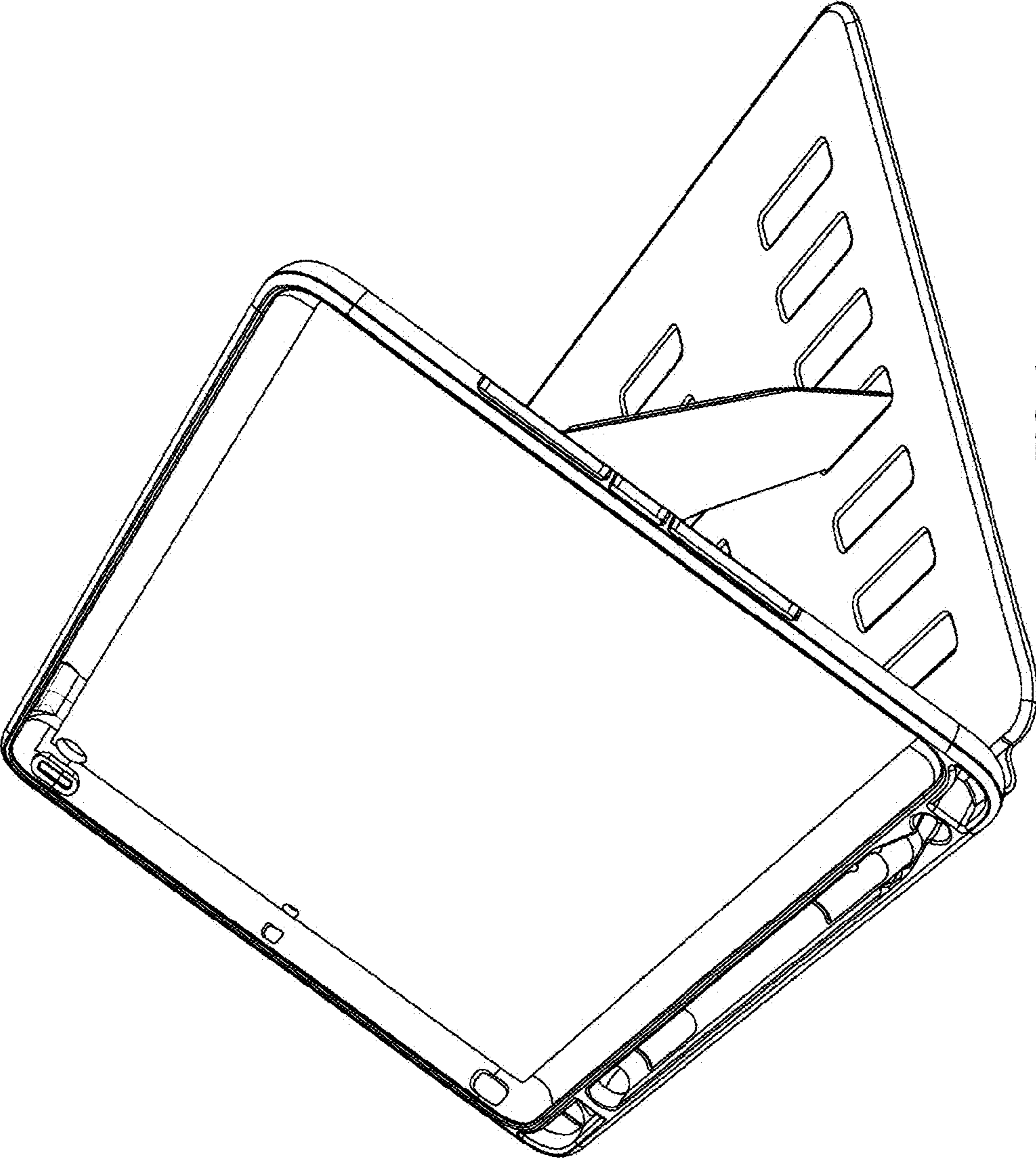


FIG. 1

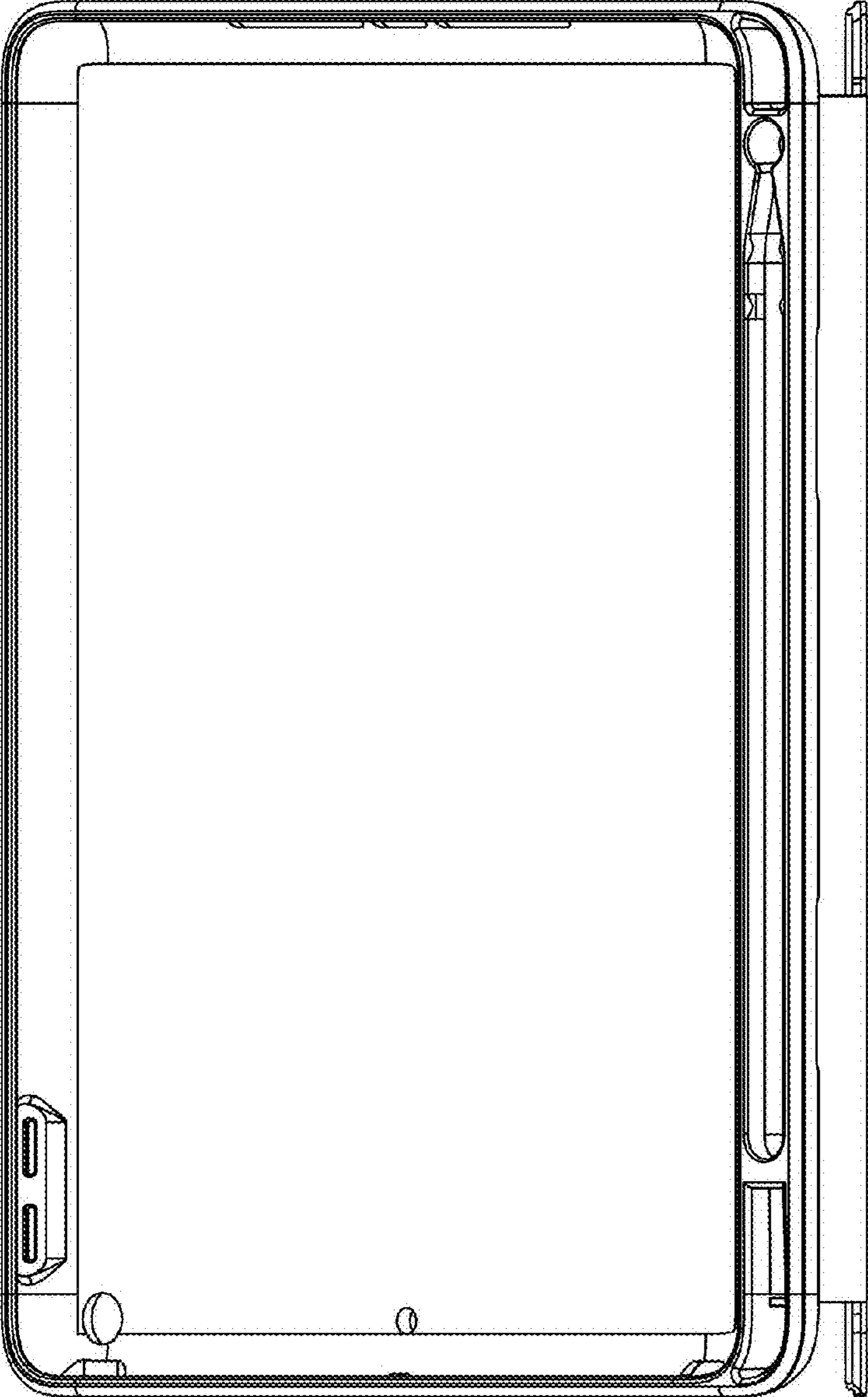


FIG. 2

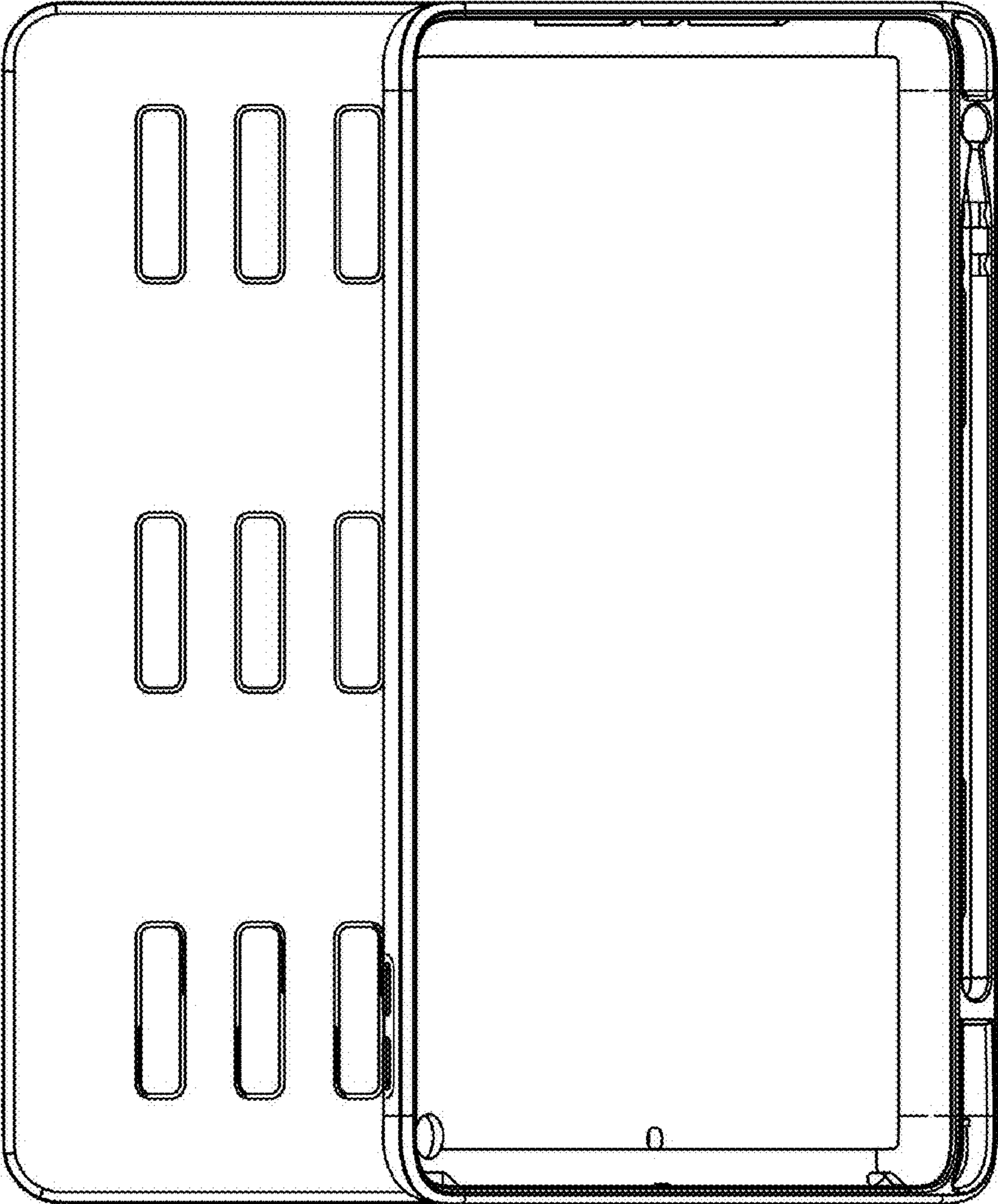


FIG. 3

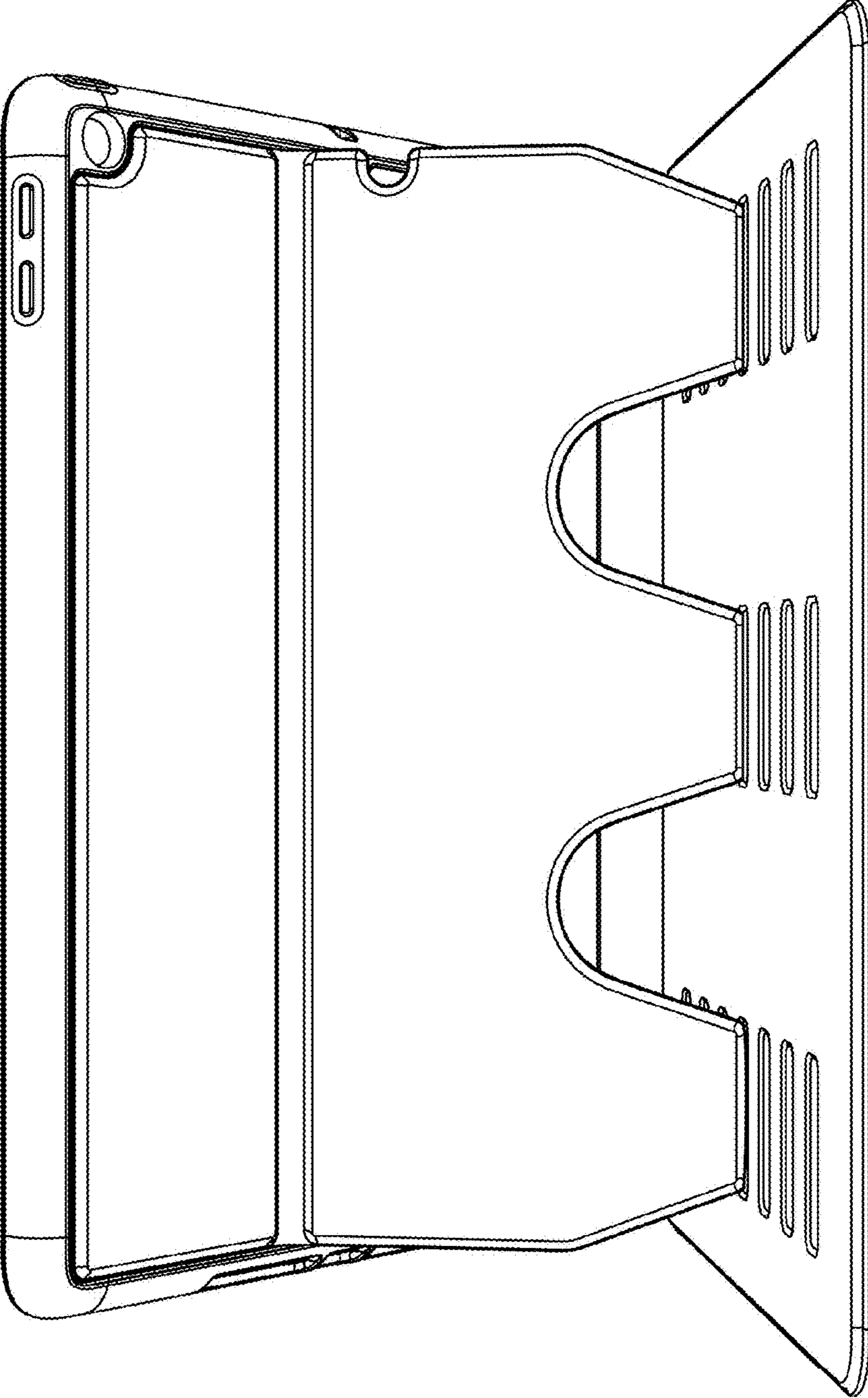


FIG. 4

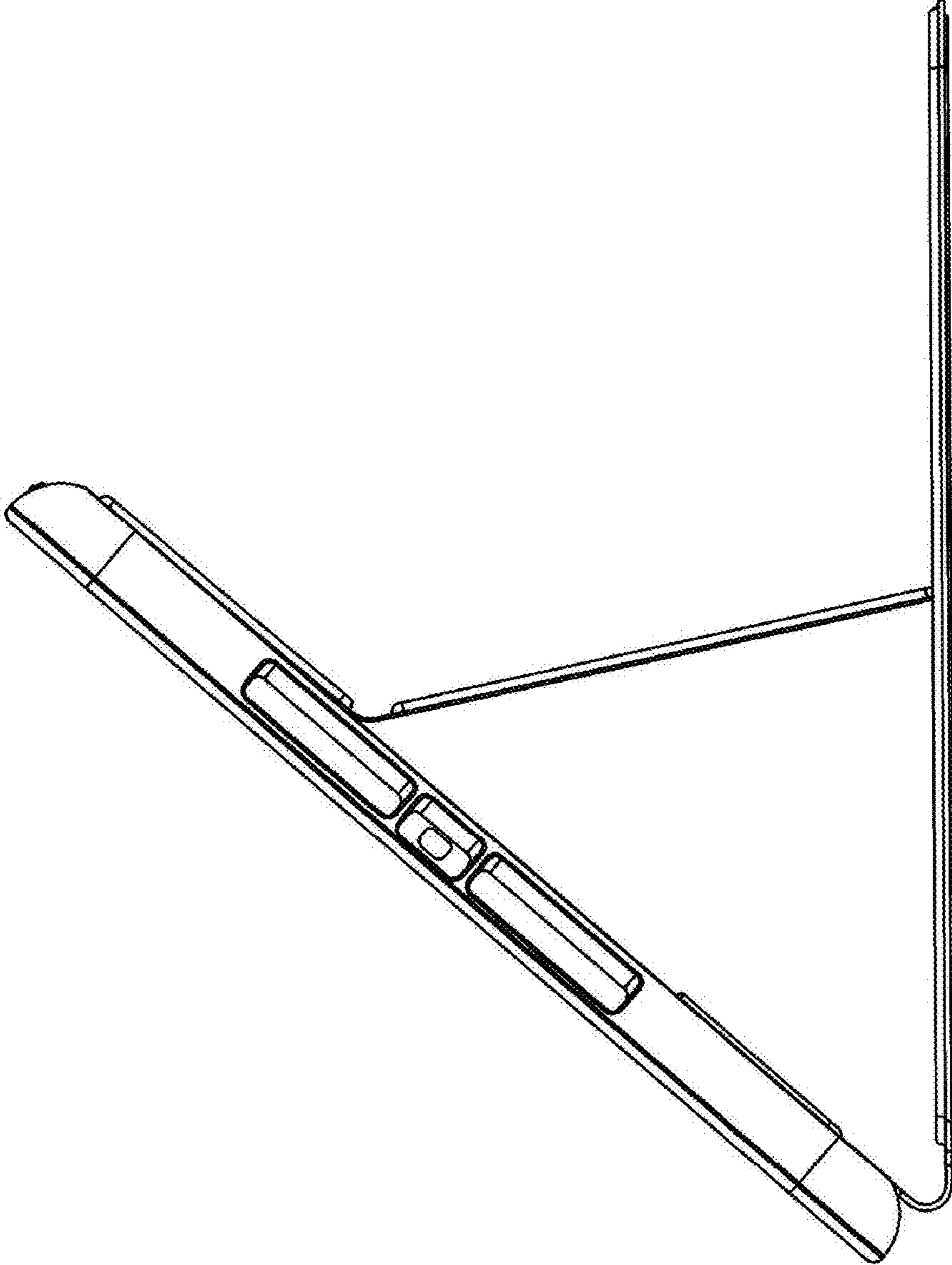


FIG. 5

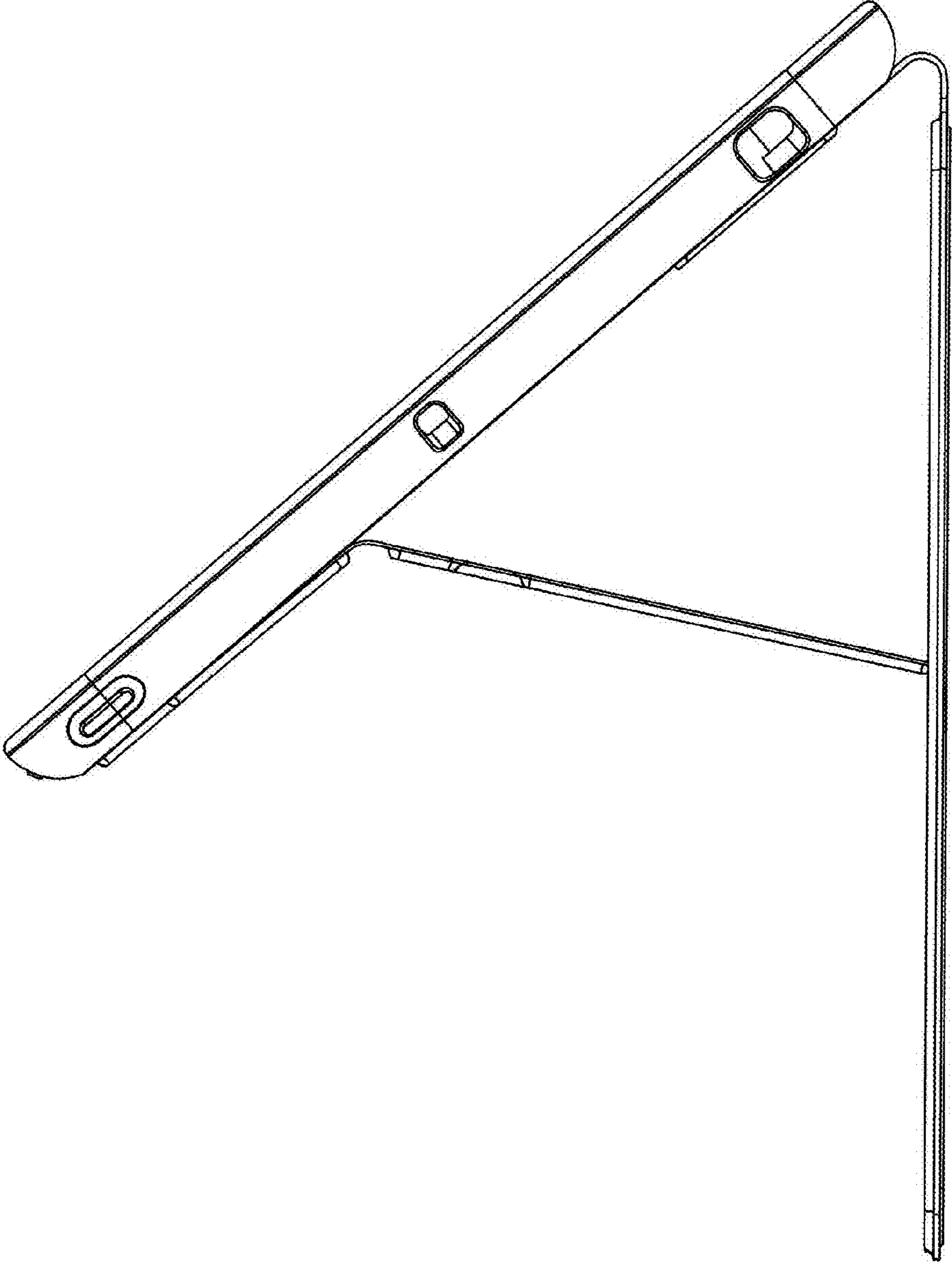


FIG. 6

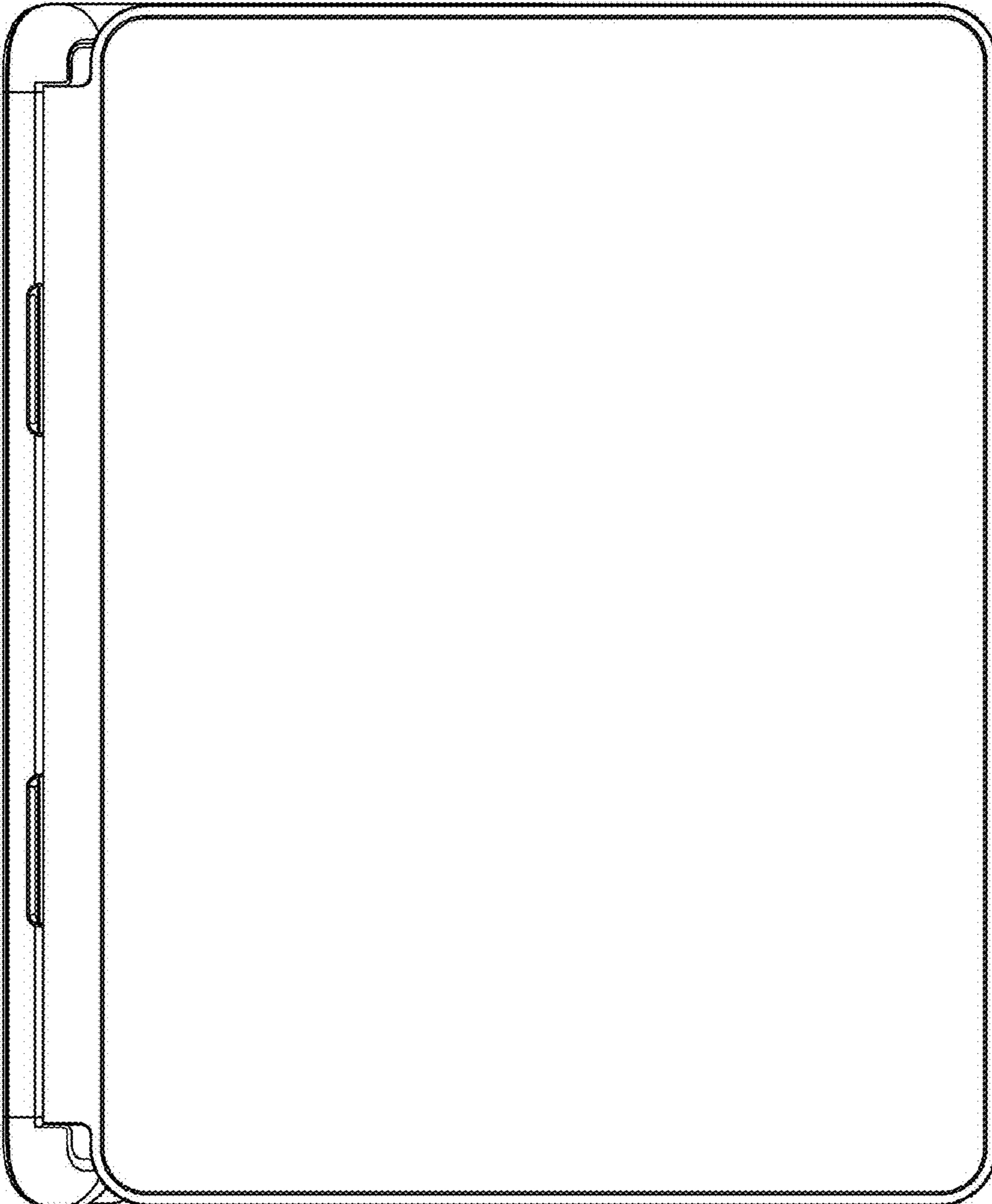


FIG. 7