



US00D868071S

(12) **United States Design Patent** (10) **Patent No.:** **US D868,071 S**
Liu (45) **Date of Patent:** **** Nov. 26, 2019**

- (54) **CASE FOR ELECTRONIC DEVICE**
- (71) Applicant: **Heng-Xing Liu**, Linqing (CN)
- (72) Inventor: **Heng-Xing Liu**, Linqing (CN)
- (**) Term: **15 Years**
- (21) Appl. No.: **29/658,821**
- (22) Filed: **Aug. 3, 2018**
- (51) **LOC (12) Cl.** **14-02**
- (52) **U.S. Cl.**
USPC **D14/440**
- (58) **Field of Classification Search**
USPC D14/440, 447, 250; 206/45.23, 320,
206/45.2; 361/679.55; 294/25; 224/218
CPC G06F 1/1628; G06F 1/1626; A47B 23/044
See application file for complete search history.

(56) **References Cited**

U.S. PATENT DOCUMENTS

D597,052 S *	7/2009	Kim	D14/138 AB
D634,314 S *	3/2011	Fahrendorff	D14/250
D649,144 S *	11/2011	Fathollahi	D14/250
D685,358 S *	7/2013	Armstrong	D14/250
D685,786 S *	7/2013	Seoc	D14/353
D690,292 S *	9/2013	Bibla	D14/250
D715,785 S *	10/2014	Jacob	D14/250
D719,144 S *	12/2014	Eulette	D14/250
D721,686 S *	1/2015	Jacob	D14/250
D733,696 S *	7/2015	Burgett	D14/250
D742,869 S *	11/2015	Odhwani	D14/250
D752,593 S *	3/2016	Diebel	G06F 1/1679 D14/440
D768,123 S *	10/2016	Armstrong	D14/250
D770,458 S *	11/2016	Corcoran	D14/440
D772,288 S *	11/2016	Montes	D14/488
D775,198 S *	12/2016	Montes	D14/489
D794,626 S *	8/2017	Armstrong	D14/250
D806,082 S *	12/2017	Armstrong	D14/440
D825,571 S *	8/2018	Shannon, III	D14/440

D832,269 S *	10/2018	Cheng	D14/440
10,148,307 B2 *	12/2018	Shannon, III	H04B 1/3888
D844,621 S *	4/2019	Chen	D14/440
D851,648 S *	6/2019	Tan	D14/440
2008/0167095 A1 *	7/2008	Kim	H04M 1/0216 455/575.3
2009/0159763 A1 *	6/2009	Kim	F16M 13/00 248/174

(Continued)

Primary Examiner — Cynthia R Underwood
(74) *Attorney, Agent, or Firm* — ScienBiziP, P.C.

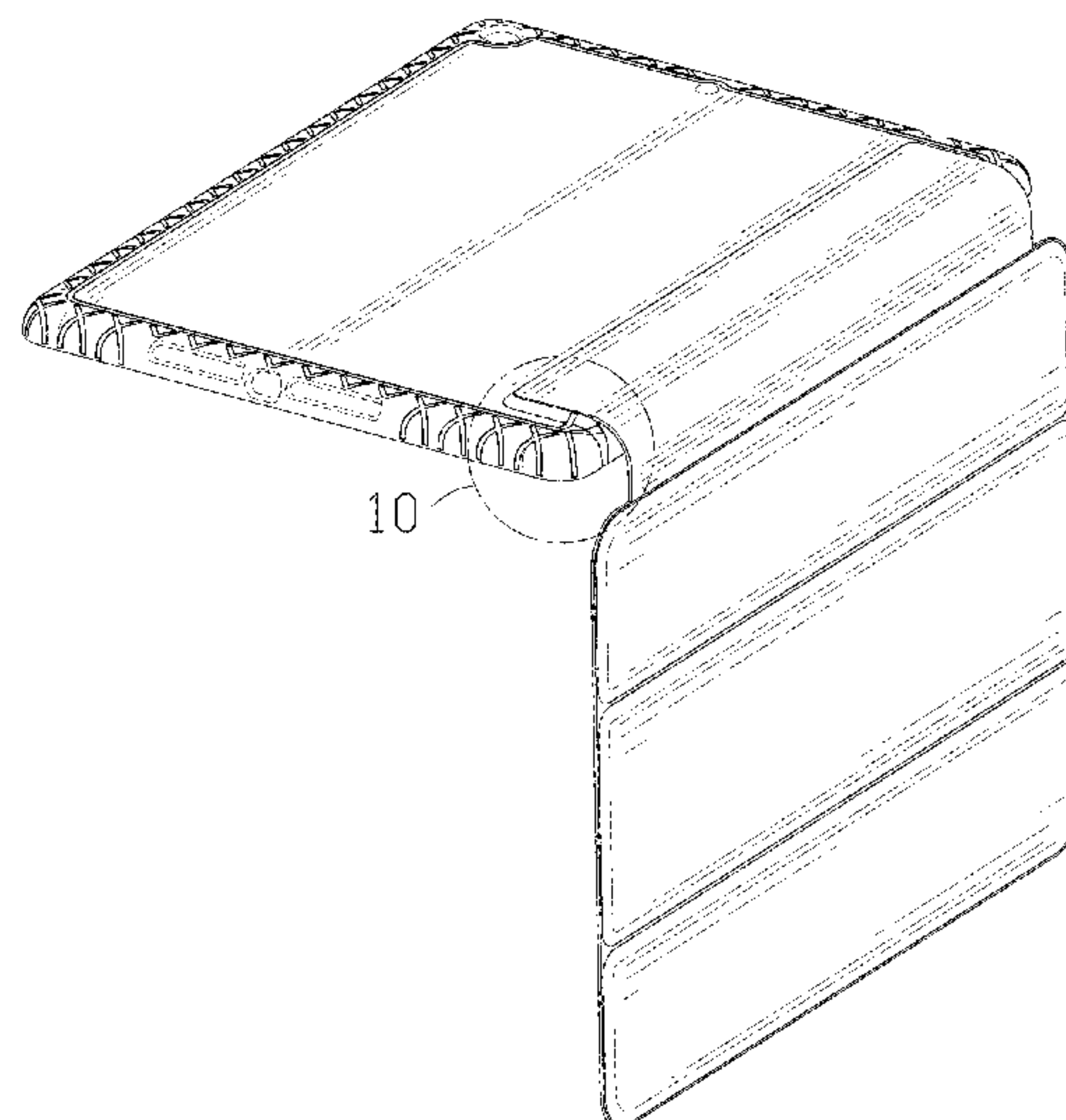
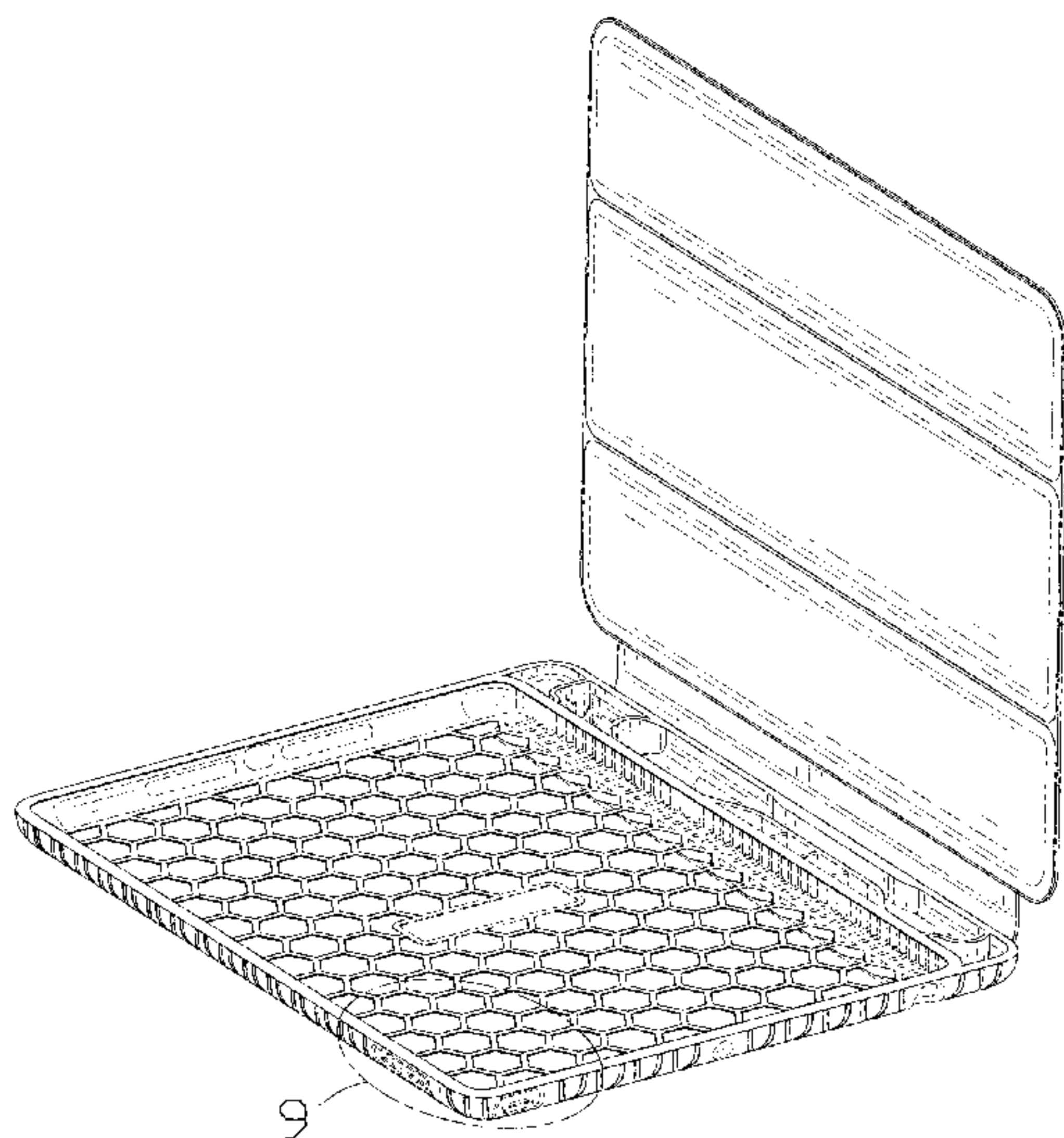
(57) **CLAIM**

The ornamental design for a case for electronic device, as shown and described.

DESCRIPTION

FIG. 1 is a first perspective view of a case for electronic device showing the claimed new design; FIG. 2 is a second perspective view thereof; FIG. 3 is a front elevation view thereof; FIG. 4 is a rear elevation view thereof. FIG. 5 is a left side elevation view thereof; FIG. 6 is a right side elevation view thereof; FIG. 7 is a top plan view thereof; FIG. 8 is a bottom plan view thereof; FIG. 9 is an enlarged view of the area contained within circle 9 of FIG. 1; FIG. 10 is an enlarged view of the area contained within circle 10 of FIG. 2; FIG. 11 is an enlarged view of the area contained within circle 11 of FIG. 5; and, FIG. 12 is a perspective view of the case for electronic device, in an environment in which it may be used. The broken lines depicting portions of the case for electronic device form no part of the claimed design and the broken lines marking where the enlarged portions were taken also form no part of the claimed design.

1 Claim, 12 Drawing Sheets



(56)

References Cited

U.S. PATENT DOCUMENTS

2009/0194209 A1* 8/2009 De Filippis A45C 11/00
150/107
2012/0268891 A1* 10/2012 Cencioni G06F 1/1626
361/679.55
2013/0088431 A1* 4/2013 Ballagas G06F 1/1626
345/168
2013/0223005 A1* 8/2013 Smith G06F 1/1628
361/679.55
2013/0233762 A1* 9/2013 Balaji B65D 25/00
206/736
2013/0241381 A1* 9/2013 Hyncek H05K 5/0217
312/240
2014/0246340 A1* 9/2014 Jiang A45C 11/00
206/45.23
2015/0065208 A1* 3/2015 Balaji H04M 1/04
455/575.8
2015/0151887 A1* 6/2015 Huang A45C 11/00
224/191
2015/0237979 A1* 8/2015 Huang A45C 11/00
206/45.25
2015/0263776 A1* 9/2015 Shyu A45C 13/002
455/575.8
2015/0266610 A1* 9/2015 Melmon B65D 5/5206
206/45.23
2015/0280768 A1* 10/2015 Huang H04B 1/3888
455/575.8
2019/0142992 A1* 5/2019 Davidson C08G 18/10
424/445
2019/0144163 A1* 5/2019 Lim B65D 19/0028
108/53.5
2019/0149808 A1* 5/2019 Ng H04N 13/305
348/59
2019/0275714 A1* 9/2019 Kanoh B29C 45/14065

* cited by examiner

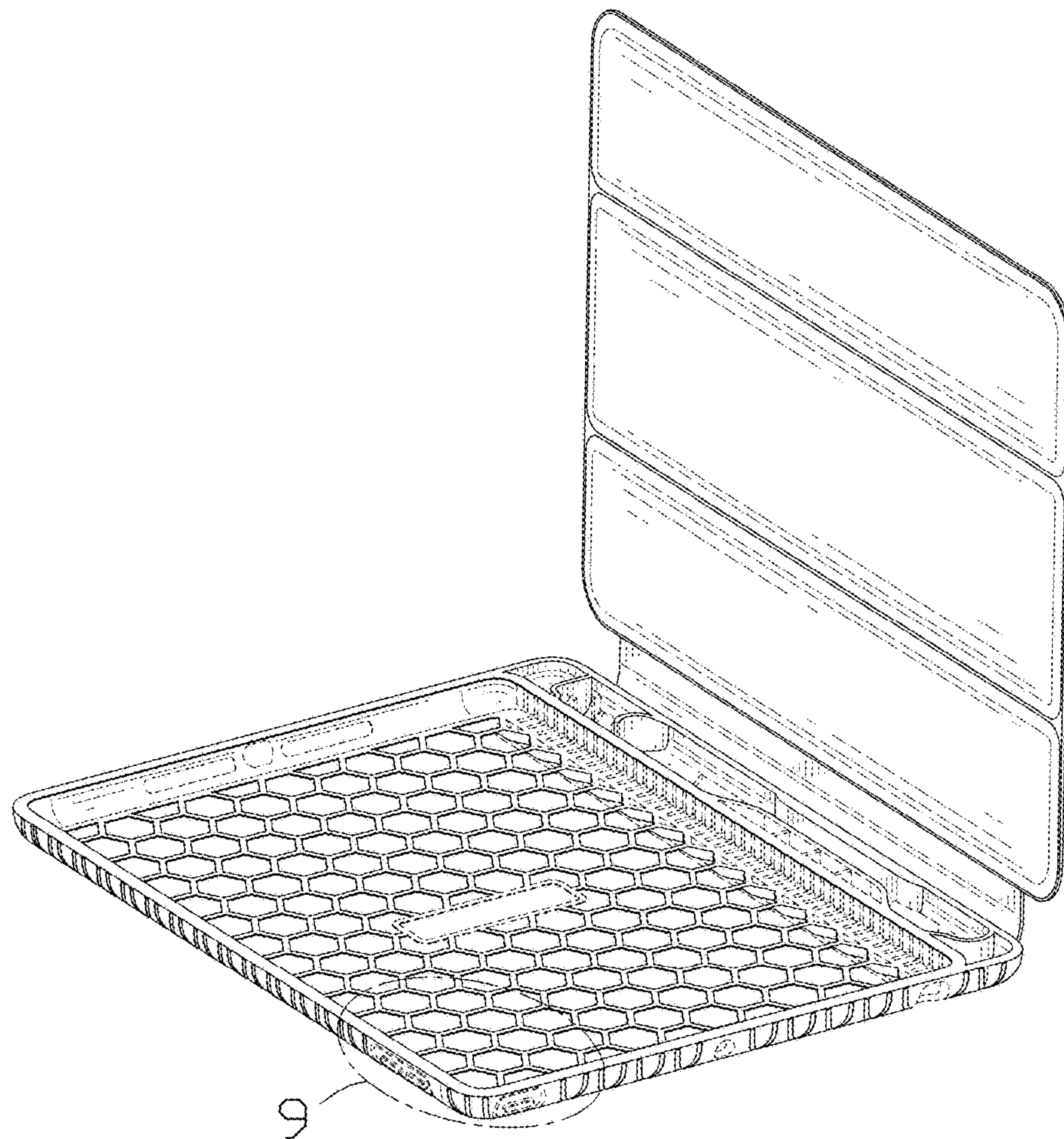


FIG. 1

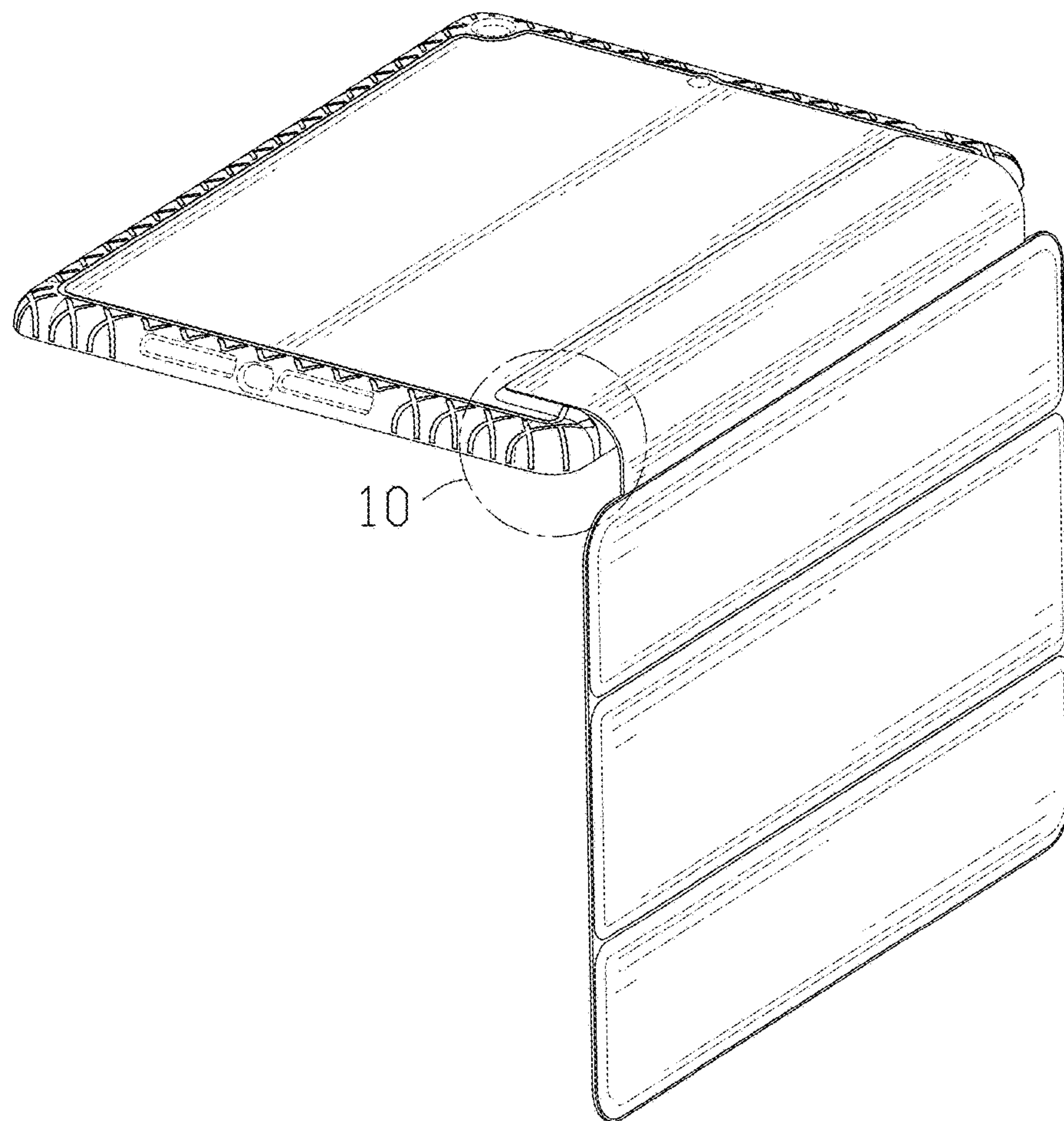


FIG. 2

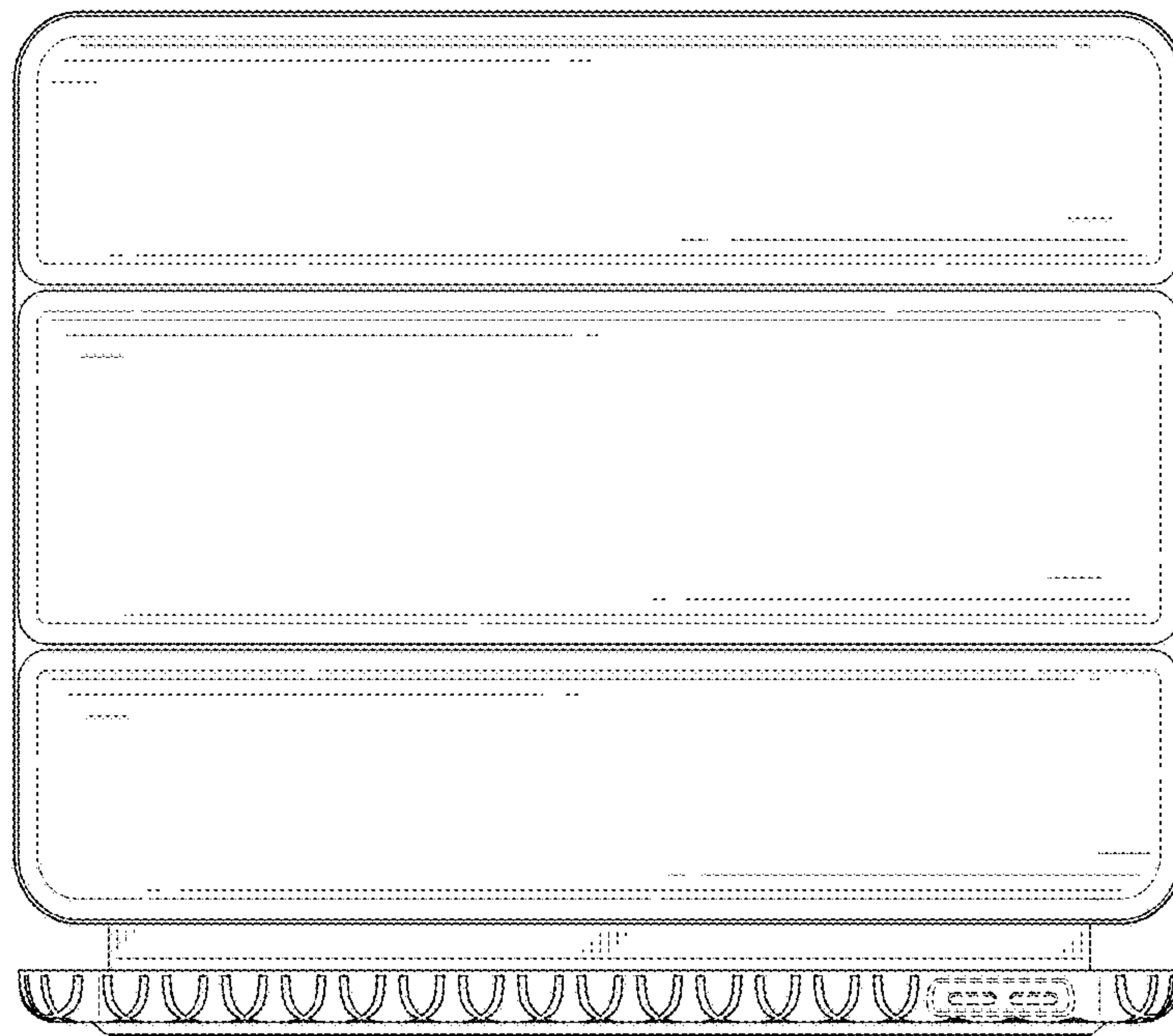


FIG. 3

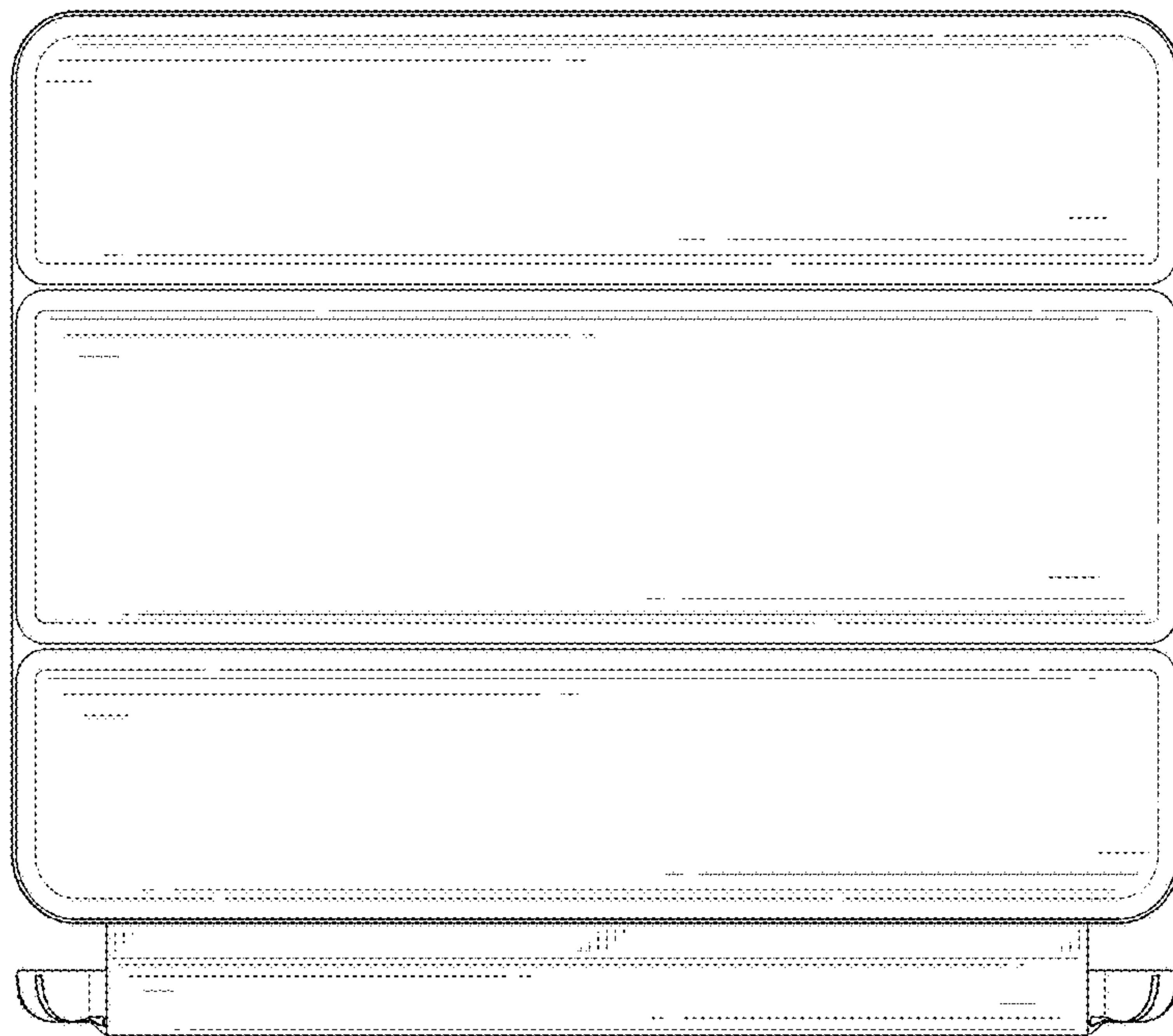


FIG. 4

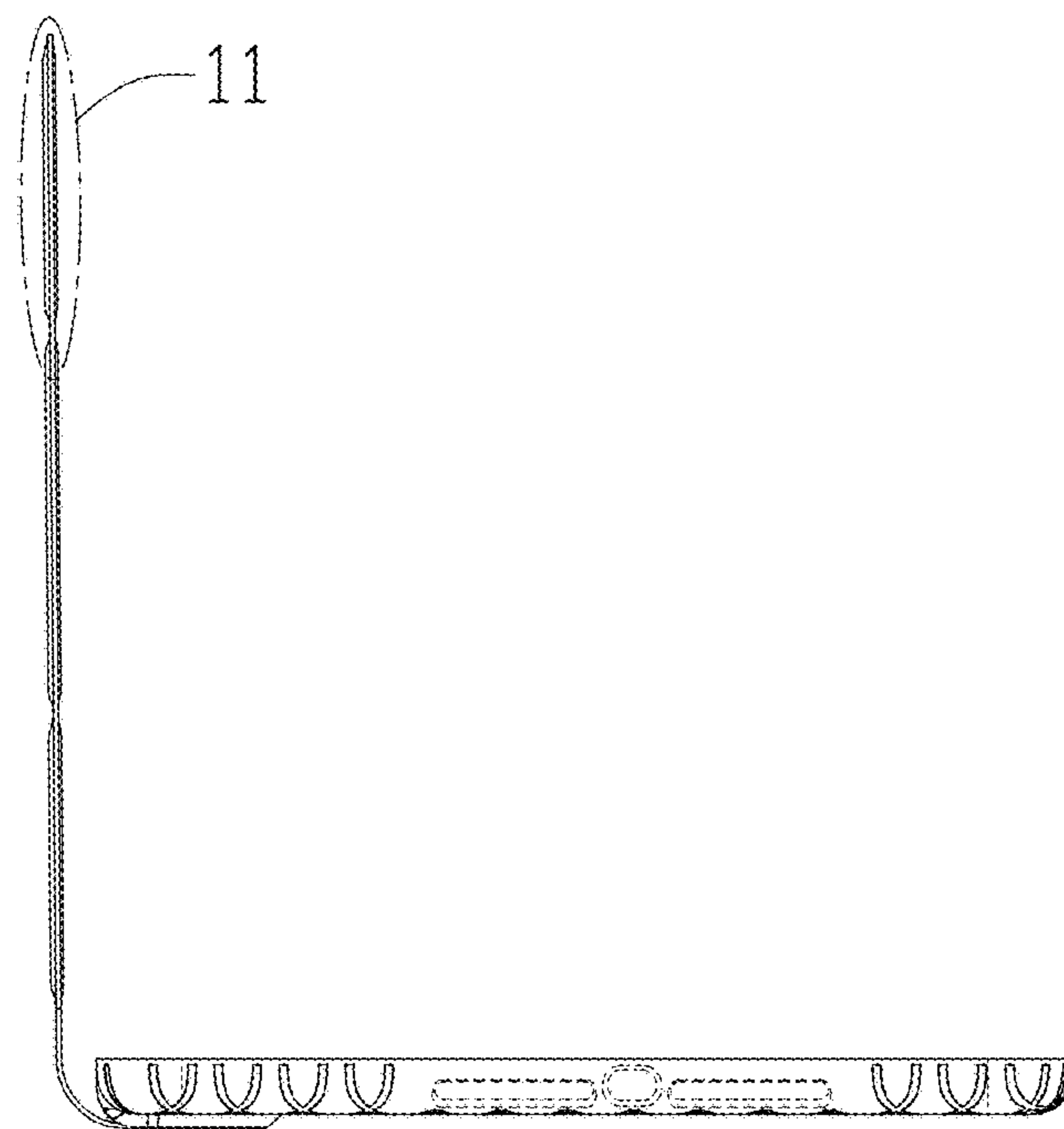


FIG. 5

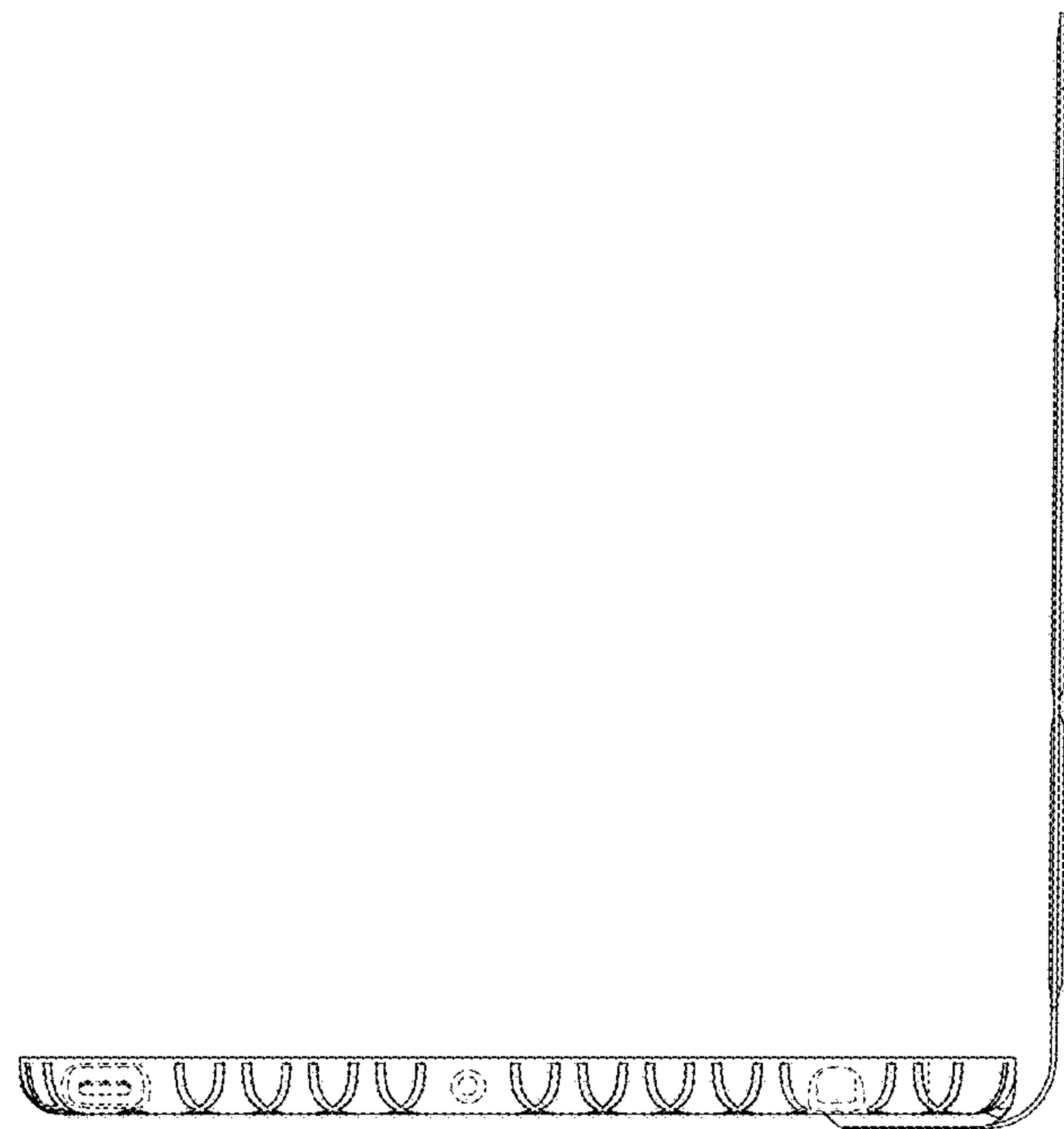


FIG. 6

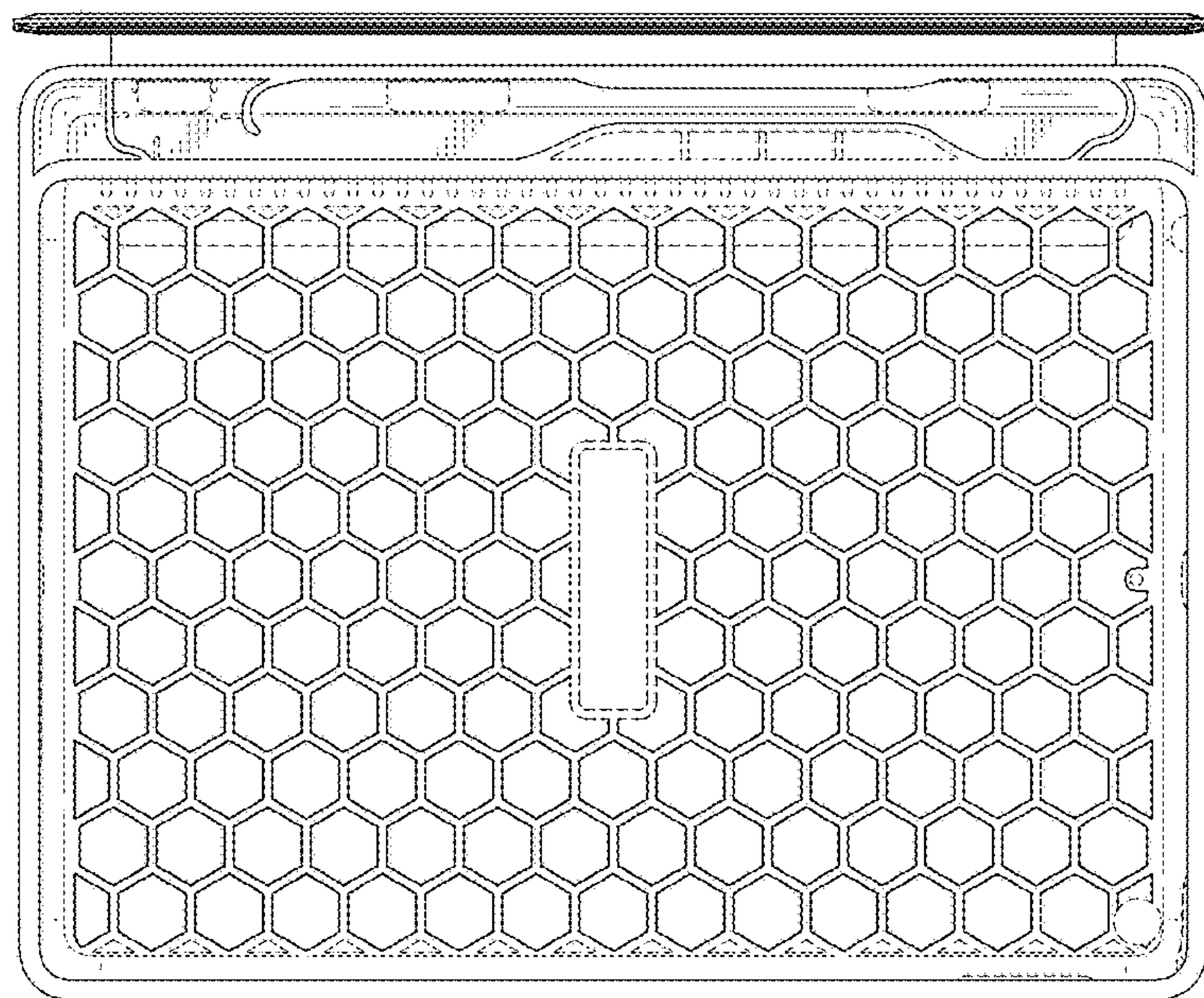


FIG. 7

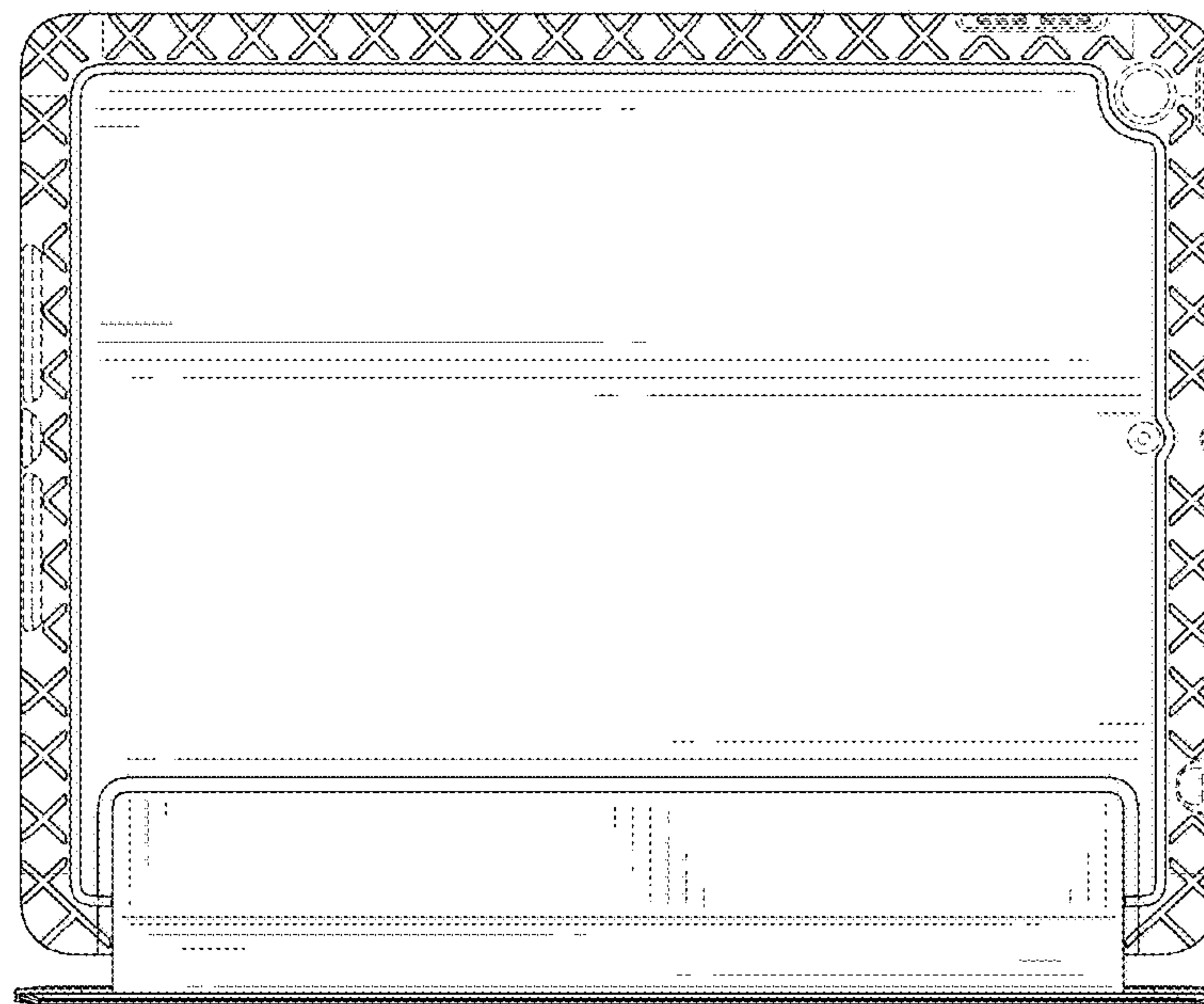


FIG. 8

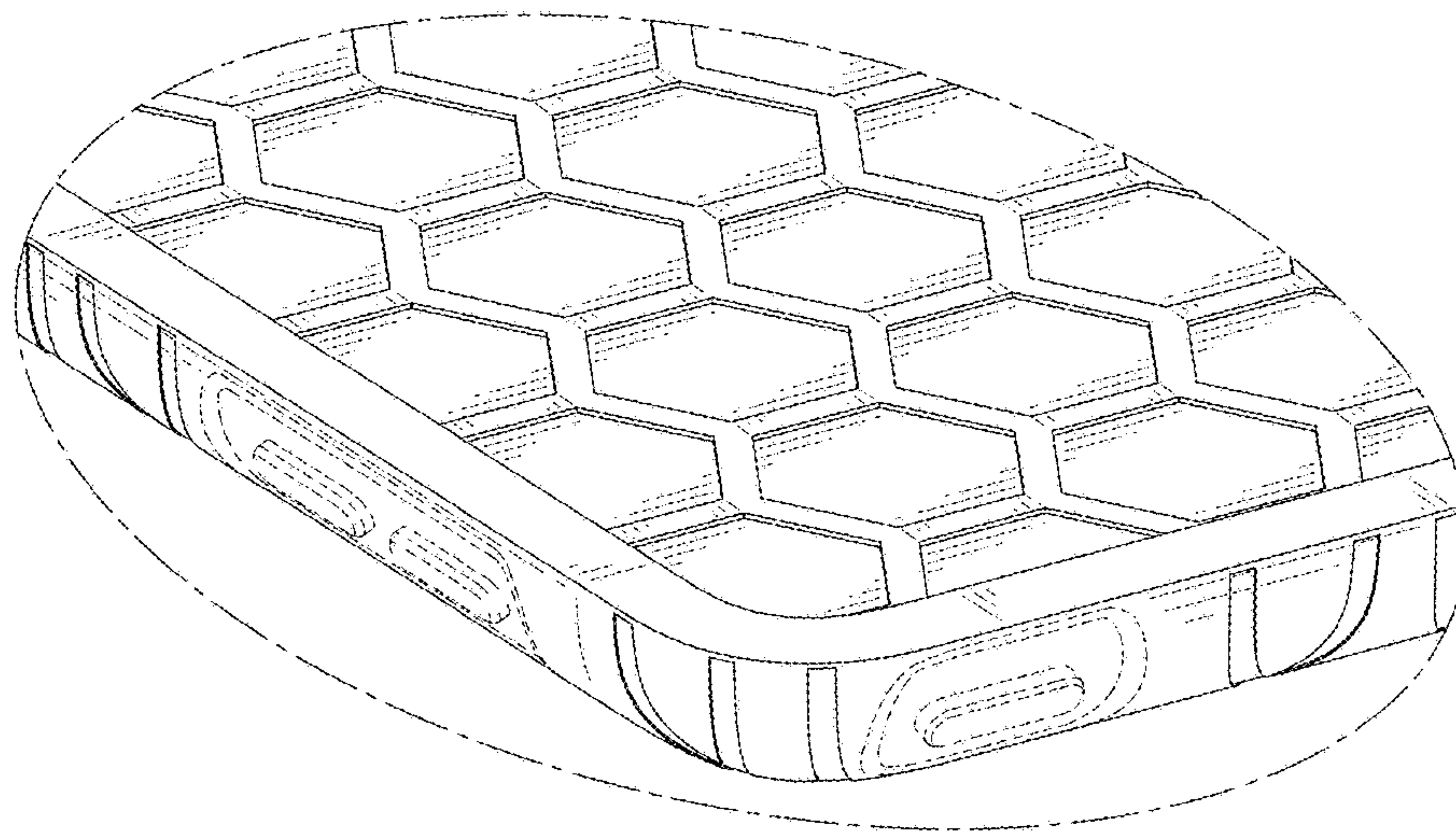


FIG. 9

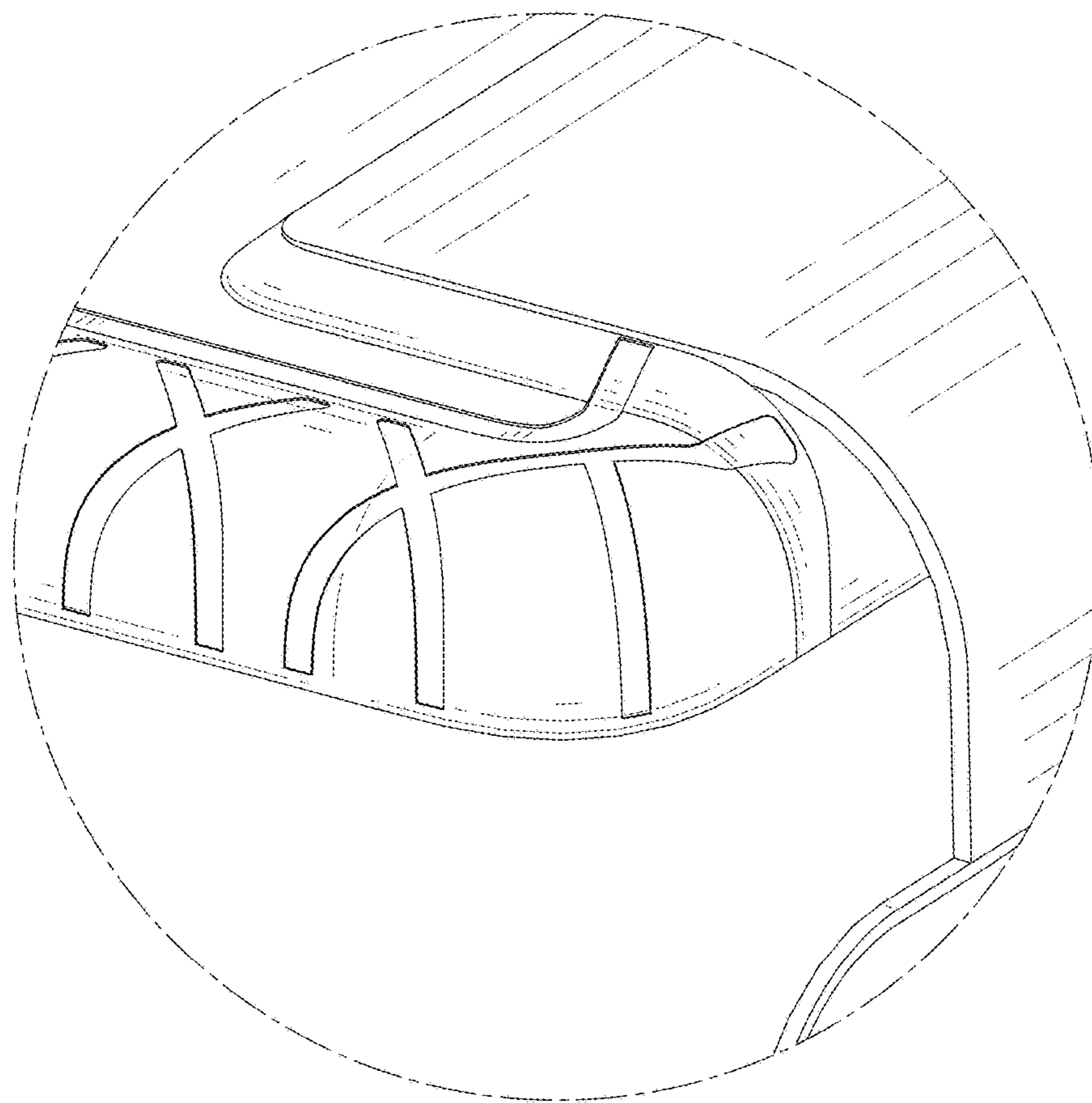


FIG. 10

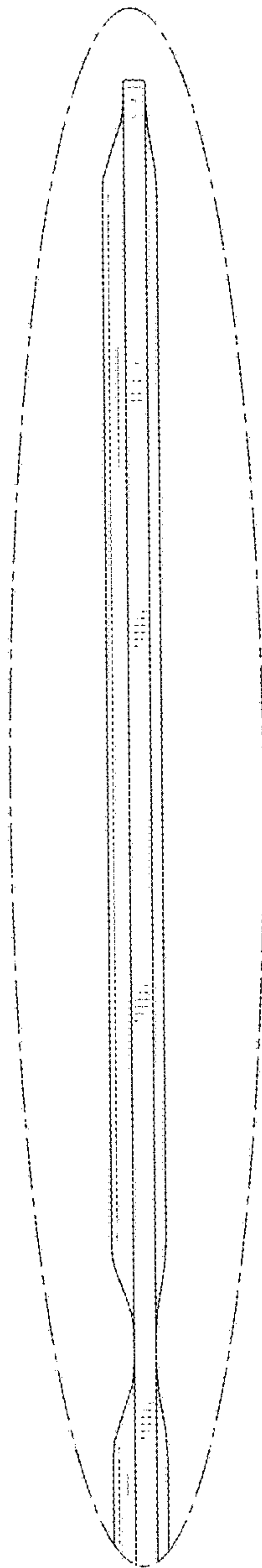


FIG. 11

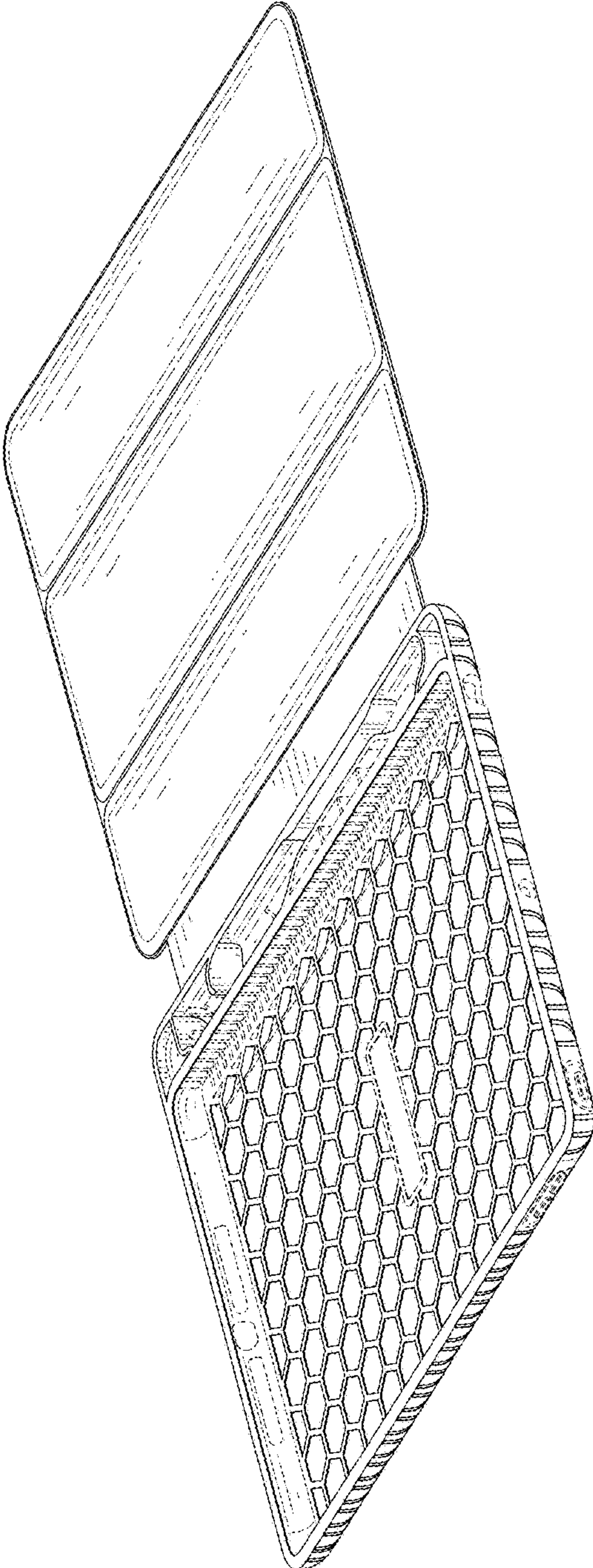


FIG. 12