



US00D868068S

(12) **United States Design Patent** (10) **Patent No.:** **US D868,068 S**
Liu (45) **Date of Patent:** **** Nov. 26, 2019**

(54) **HUB CASE**
(71) Applicant: **Hubin Liu**, Dongguan (CN)
(72) Inventor: **Hubin Liu**, Dongguan (CN)
(**) Term: **15 Years**
(21) Appl. No.: **29/702,613**
(22) Filed: **Aug. 20, 2019**
(51) **LOC (12) Cl.** **14-02**
(52) **U.S. Cl.**
USPC **D14/433**
(58) **Field of Classification Search**
USPC D14/240, 242, 356, 358, 363, 365, 367,
D14/370, 432-437, 439, 498, 125, 366,
D14/168, 496; D13/147, 164, 123, 133,
D13/146, 110, 199, 103, 162, 159, 160,
D13/184; 361/683, 684, 686, 724, 735,
361/737, 752; D18/40
CPC H01R 25/006; H01R 27/02; H01R 31/005;
G06F 13/4022; G06F 13/382; G06F
1/1632; G06F 1/1684; G06F 1/20; G06F
1/1607
See application file for complete search history.

(56) **References Cited**
U.S. PATENT DOCUMENTS
D563,943 S * 3/2008 Watanabe D14/188
D633,507 S 3/2011 Nelson
D769,877 S * 10/2016 Akana D14/433
D772,878 S * 11/2016 Chiang D14/433

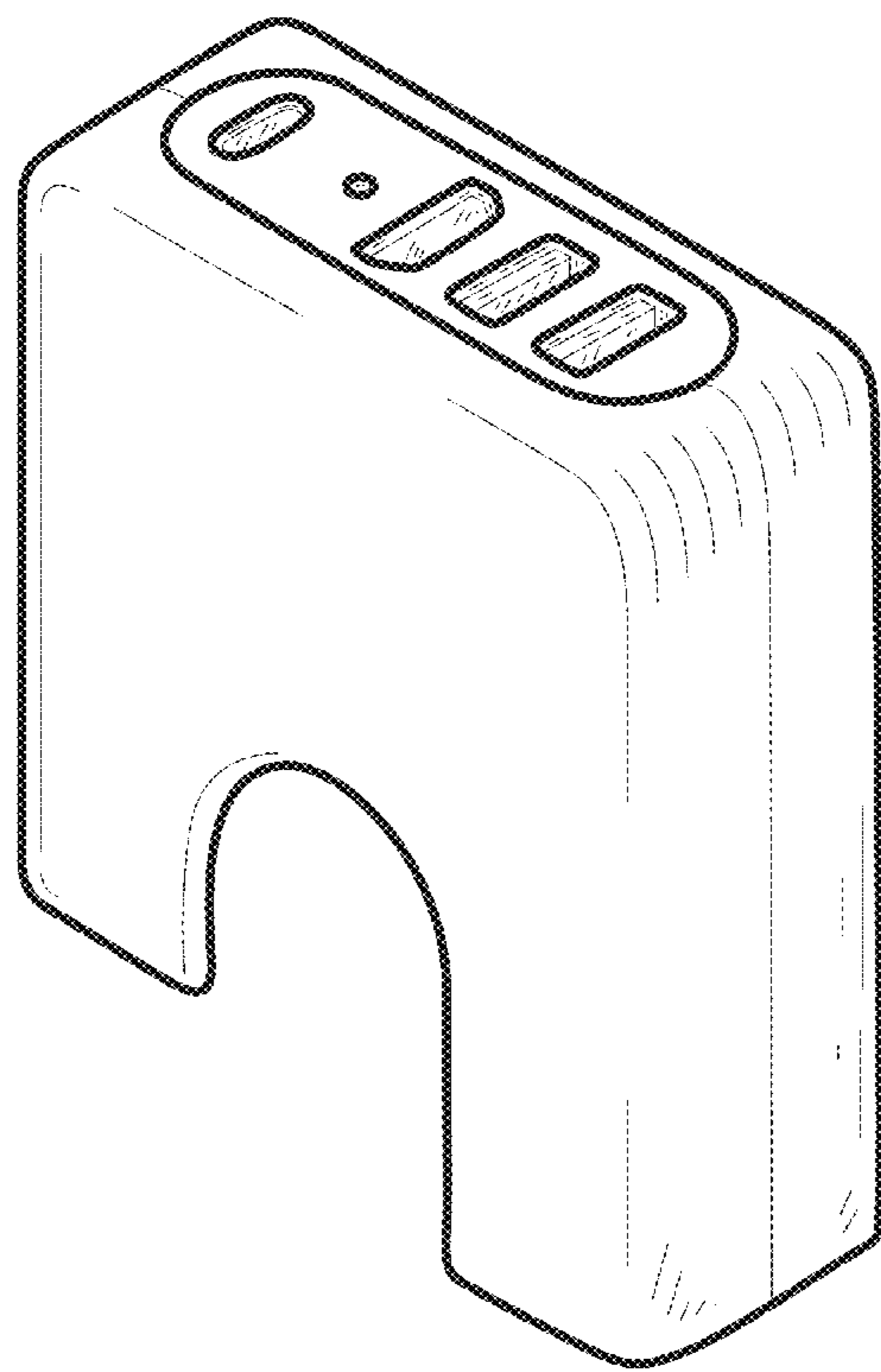
D772,879 S * 11/2016 Eliyahu D14/433
D776,038 S 1/2017 Hensel et al.
D781,294 S * 3/2017 Schwalbach D14/433
D788,111 S * 5/2017 Ji D14/433
D794,028 S * 8/2017 Lin D14/433
D796,514 S * 9/2017 Xu D14/433
D797,747 S * 9/2017 Xu D14/433
D826,942 S * 8/2018 Lu D14/433
D828,356 S * 9/2018 Xie D14/433
D833,444 S * 11/2018 Chan D14/433
D841,652 S * 2/2019 Akana D14/433
D845,953 S * 4/2019 Boehmer D14/433
D847,139 S * 4/2019 Wang D14/433
D854,018 S * 7/2019 Liao D14/434
D855,054 S * 7/2019 Turksu D14/433

* cited by examiner
Primary Examiner — Austin Murphy
(74) *Attorney, Agent, or Firm* — Erson IP (Nelson IP)

(57) **CLAIM**
The ornamental design for a hub case, as shown and described.

DESCRIPTION
FIG. 1 is a perspective view of a hub case showing my new design;
FIG. 2 is a front view thereof;
FIG. 3 is a rear view thereof;
FIG. 4 is a left side view thereof;
FIG. 5 is right side view thereof;
FIG. 6 is a top plan view thereof; and,
FIG. 7 is a bottom plan view thereof.

1 Claim, 7 Drawing Sheets



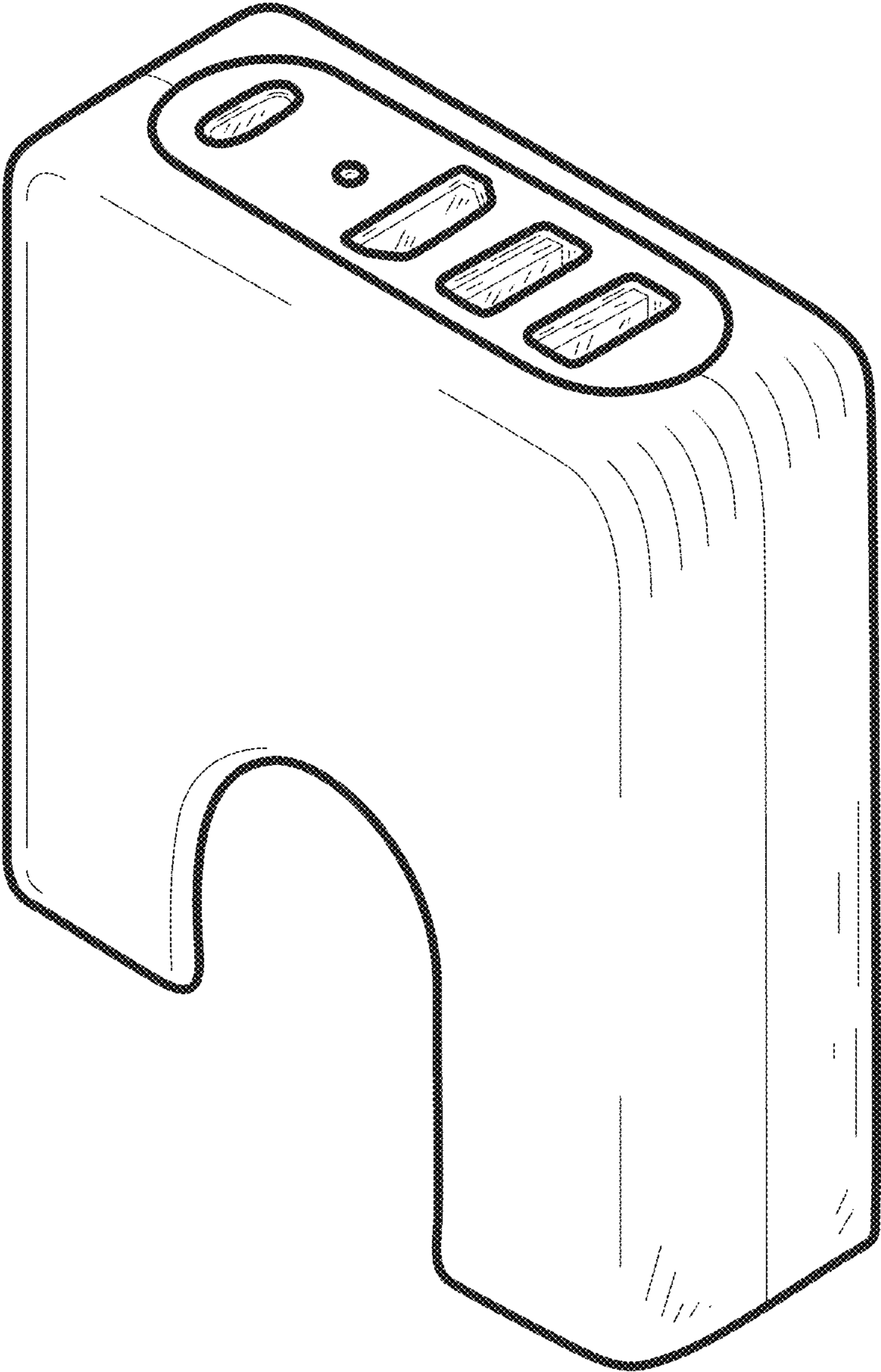


FIG. 1

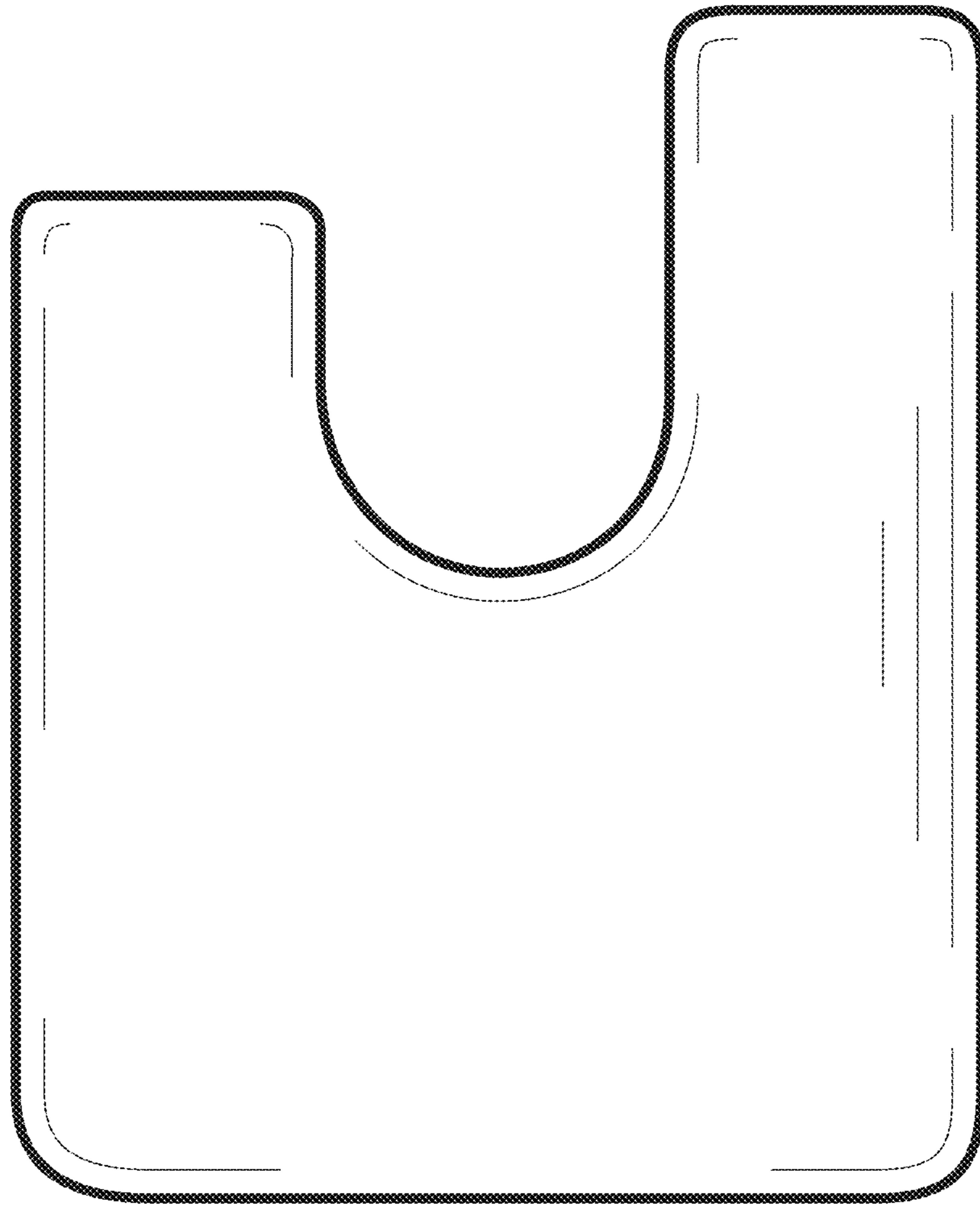


FIG. 2

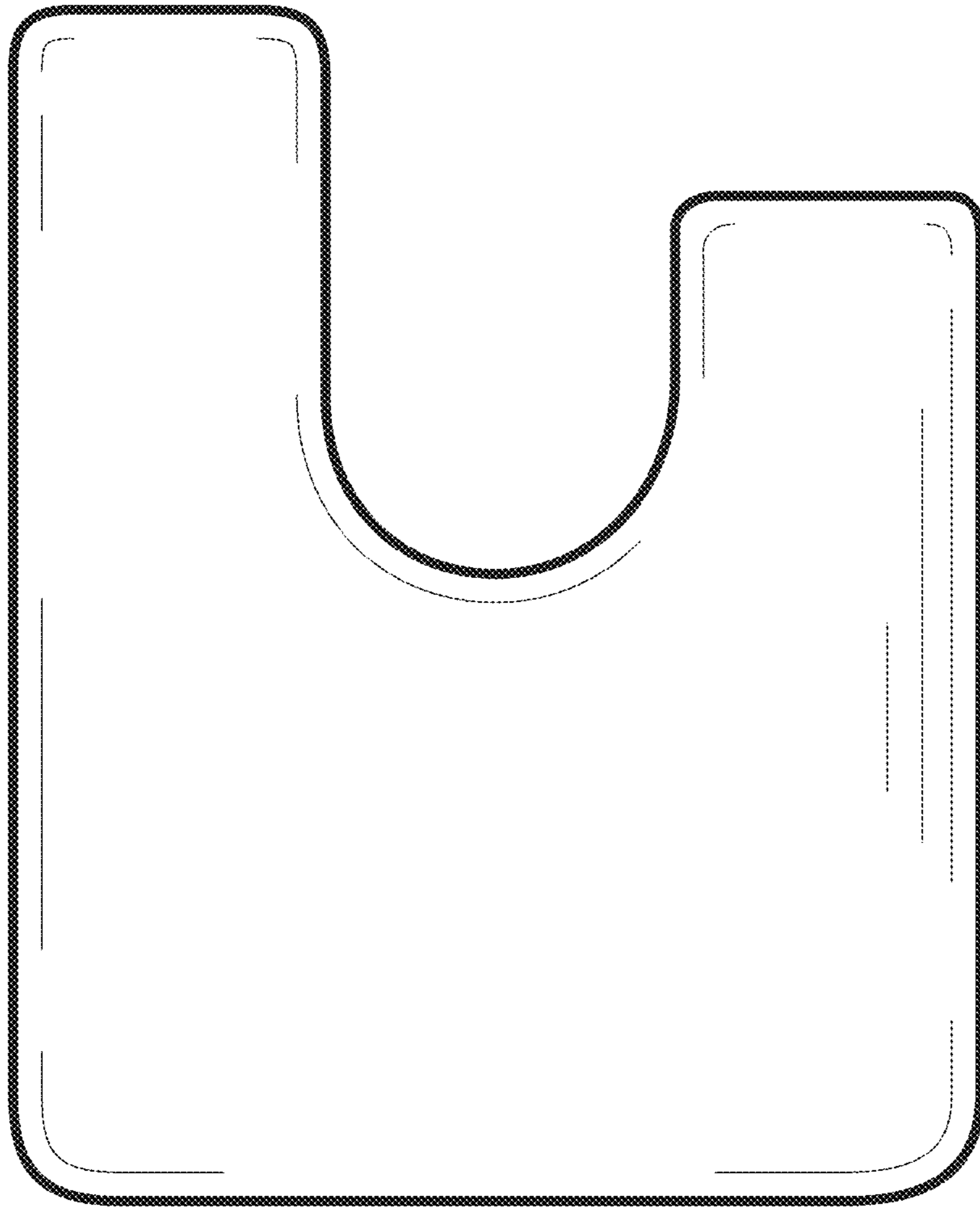


FIG. 3

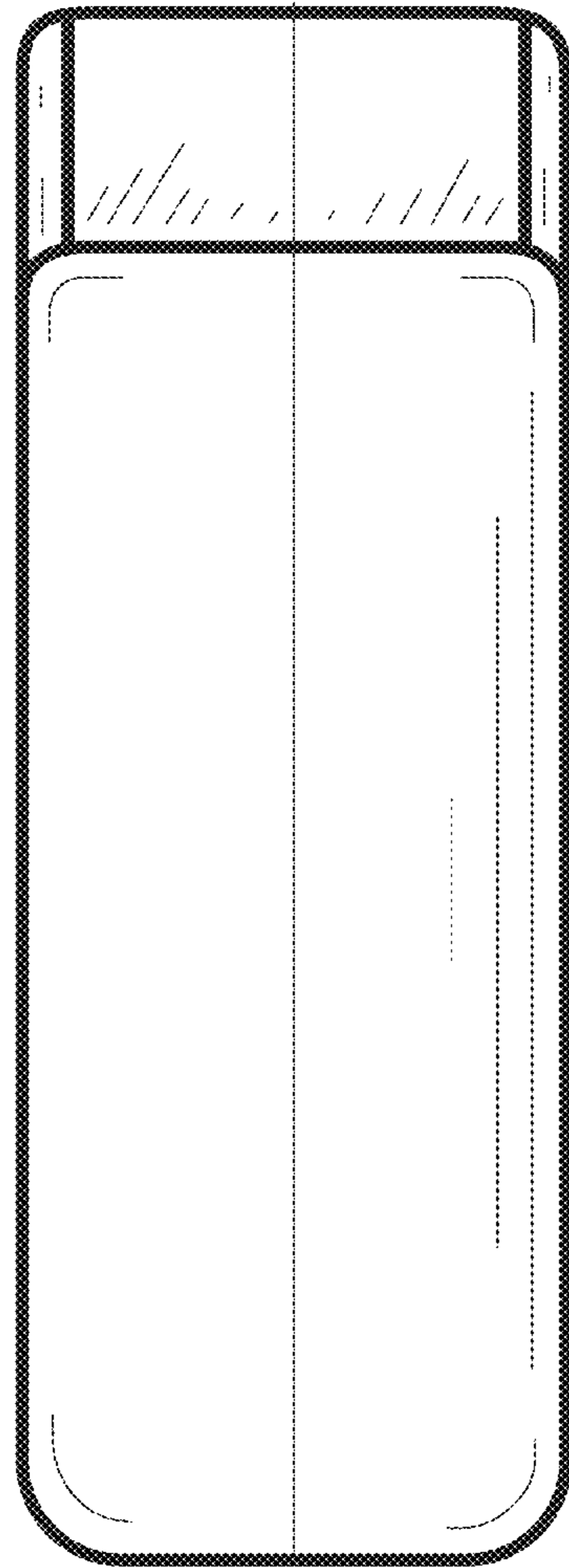


FIG. 4

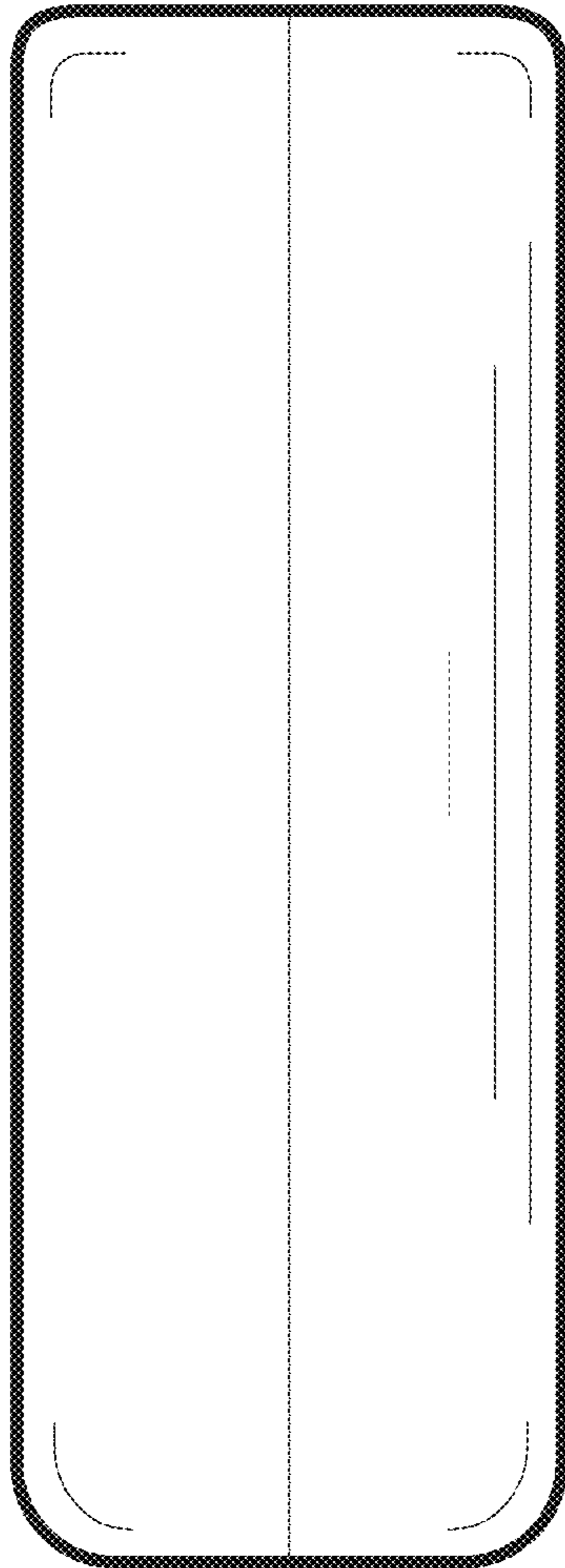


FIG. 5

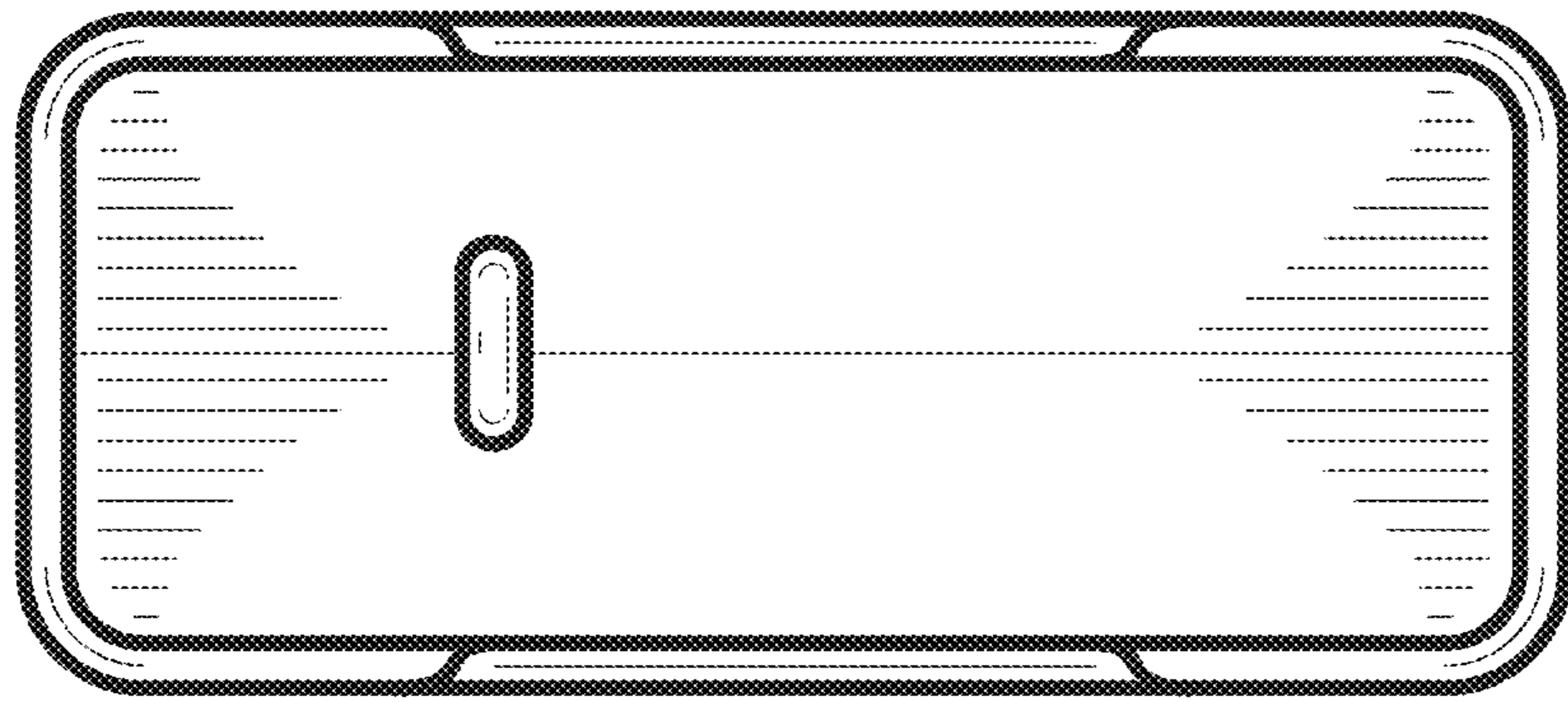


FIG. 6

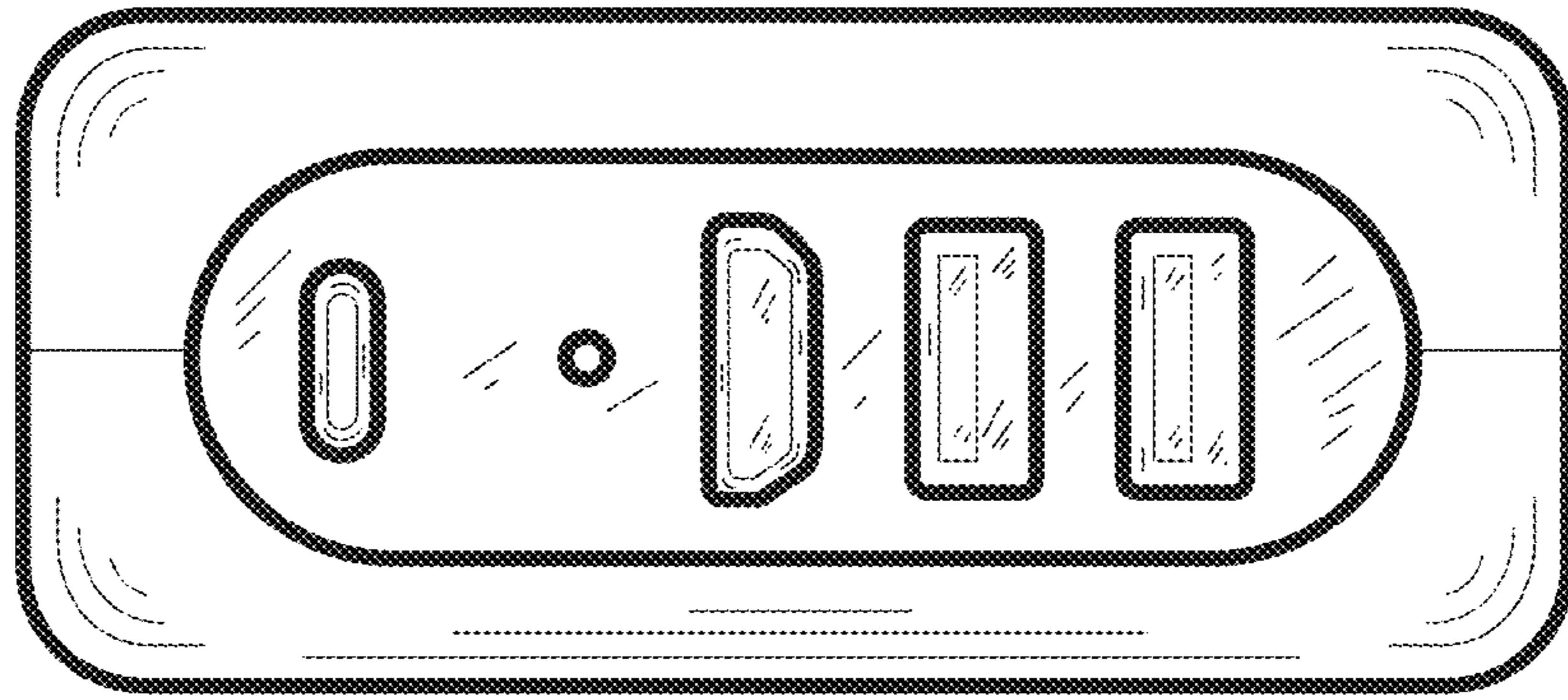


FIG. 7