



US00D868067S

(12) **United States Design Patent** (10) **Patent No.:** **US D868,067 S**  
**Guarniere et al.** (45) **Date of Patent:** **\*\* Nov. 26, 2019**

(54) **BUTTON DEVICE**

(71) Applicant: **Amazon Technologies, Inc.**, Seattle, WA (US)

(72) Inventors: **Michael John Guarniere**, Redondo Beach, CA (US); **Christopher Robert Renner**, San Diego, CA (US); **James Austin Rucker**, Rancho Santa Margarita, CA (US); **Scott Edward Van Vliet**, Coto de Caza, CA (US)

(73) Assignee: **Amazon Technologies, Inc.**, Seattle, WA (US)

(\*\*) Term: **15 Years**

(21) Appl. No.: **29/617,878**

(22) Filed: **Sep. 15, 2017**

(51) **LOC (12) Cl.** ..... **14-02**

(52) **U.S. Cl.**  
USPC ..... **D14/432**

(58) **Field of Classification Search**  
USPC .... D14/356, 432-434, 453, 454, 511, 203.8, D14/209.1, 238.1, 240, 125, 435.1; 439/638, 928, 105, 502; 710/303, 304, 710/305; 361/679.41, 679.55, 679.56; D13/110, 133, 146, 108; 320/111  
CPC ..... G06K 19/005; G06K 19/07732; H05K 5/0278; G09F 23/10  
See application file for complete search history.

(56) **References Cited**

**U.S. PATENT DOCUMENTS**

D476,376 S *	6/2003	Wintersteiger	.....	D14/432
D537,480 S *	2/2007	Sullivan	.....	D19/100
D640,199 S *	6/2011	Wilson	.....	D13/139.7
D681,754 S *	5/2013	Rocco	.....	D21/722
D681,755 S *	5/2013	Rocco	.....	D21/722

D694,182 S *	11/2013	Lee	.....	D13/108
D700,571 S *	3/2014	Guccione	.....	D13/108
D718,236 S *	11/2014	Murray	.....	D13/108
D720,289 S *	12/2014	Chiang	.....	D13/108
D740,750 S *	10/2015	Mayden	.....	D13/108
D757,014 S *	5/2016	Hahn	.....	D13/108
D757,585 S *	5/2016	Hojmose	.....	D10/106.1
D762,571 S *	8/2016	Lee	.....	D13/108
D772,813 S *	11/2016	Wahl	.....	D13/108
D774,455 S *	12/2016	Kim	.....	D13/108
D777,100 S *	1/2017	Price	.....	D13/103
D784,259 S *	4/2017	Huang	.....	D13/108
D791,771 S *	7/2017	Akana	.....	D14/432
D795,182 S *	8/2017	Akana	.....	D13/108
D795,183 S *	8/2017	Akana	.....	D13/108
D805,041 S *	12/2017	Koskinen	.....	D13/171
D806,709 S *	1/2018	Gummalla	.....	D14/358
D807,867 S *	1/2018	Kato	.....	D14/240
D829,242 S *	9/2018	Laine	.....	D14/496
D837,328 S *	1/2019	Rocco	.....	D21/812
2009/0134838 A1 *	5/2009	Raghuprasad	.....	H02J 7/32 320/108

\* cited by examiner

*Primary Examiner* — Austin Murphy

(74) *Attorney, Agent, or Firm* — Lee & Hayes, P.C.

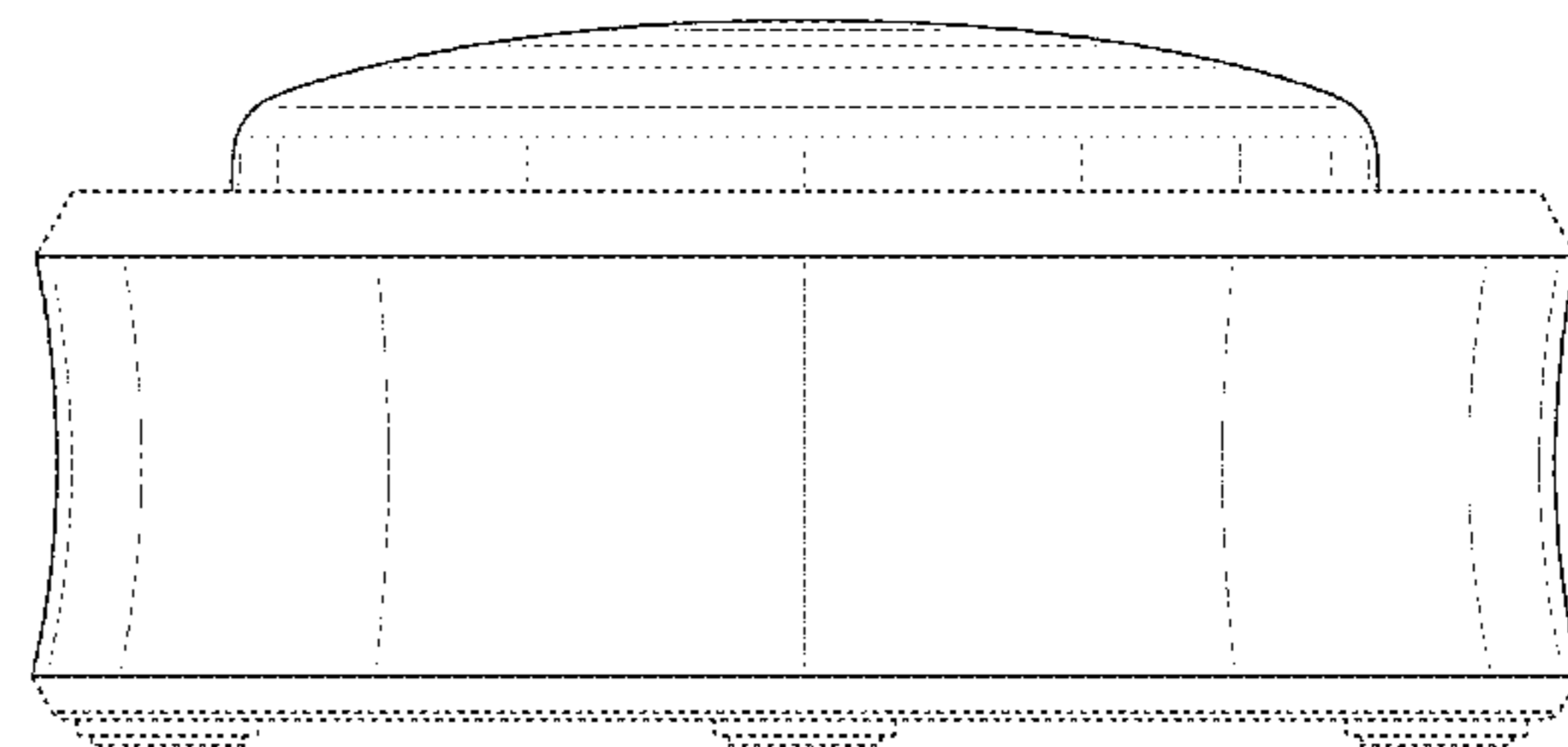
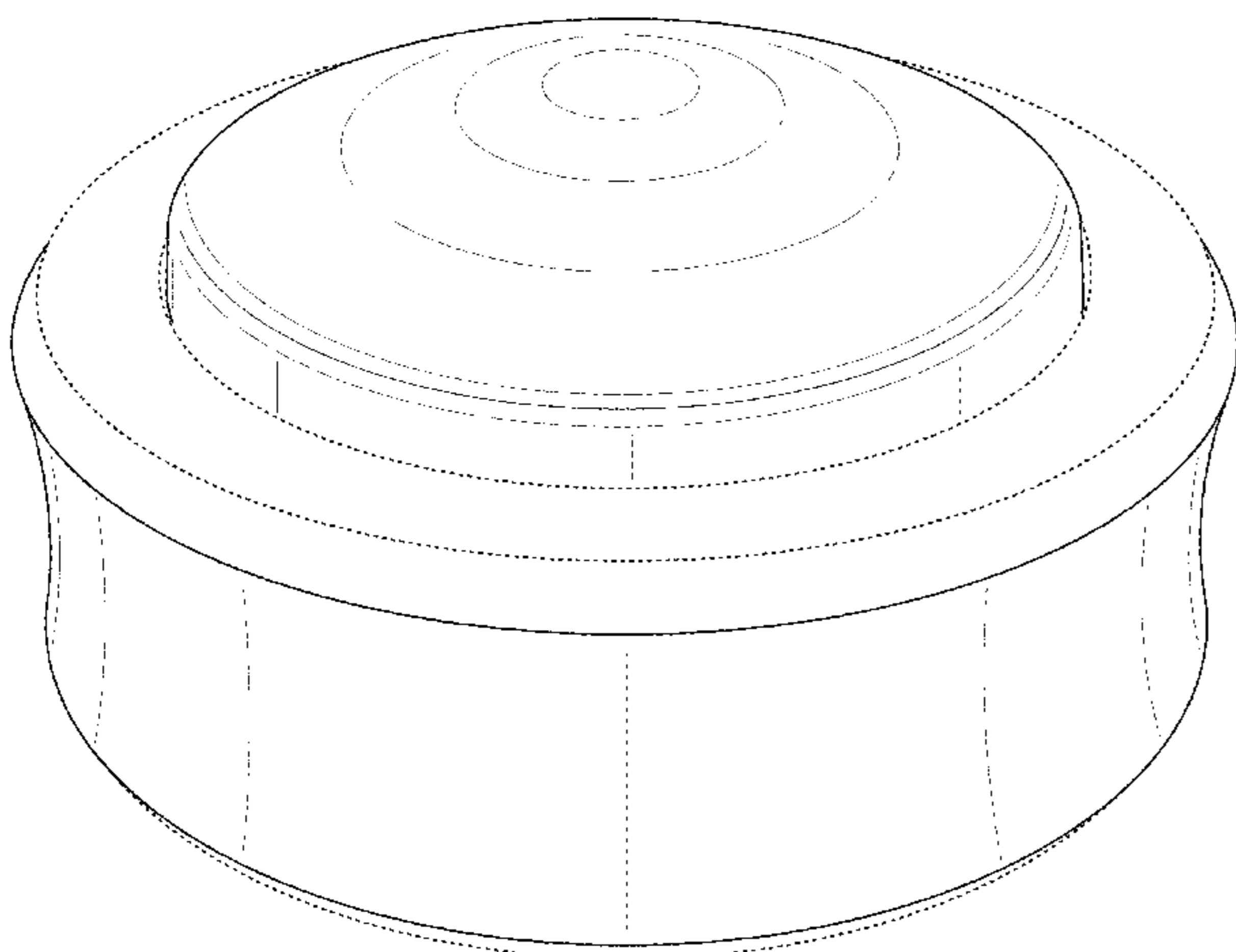
(57) **CLAIM**

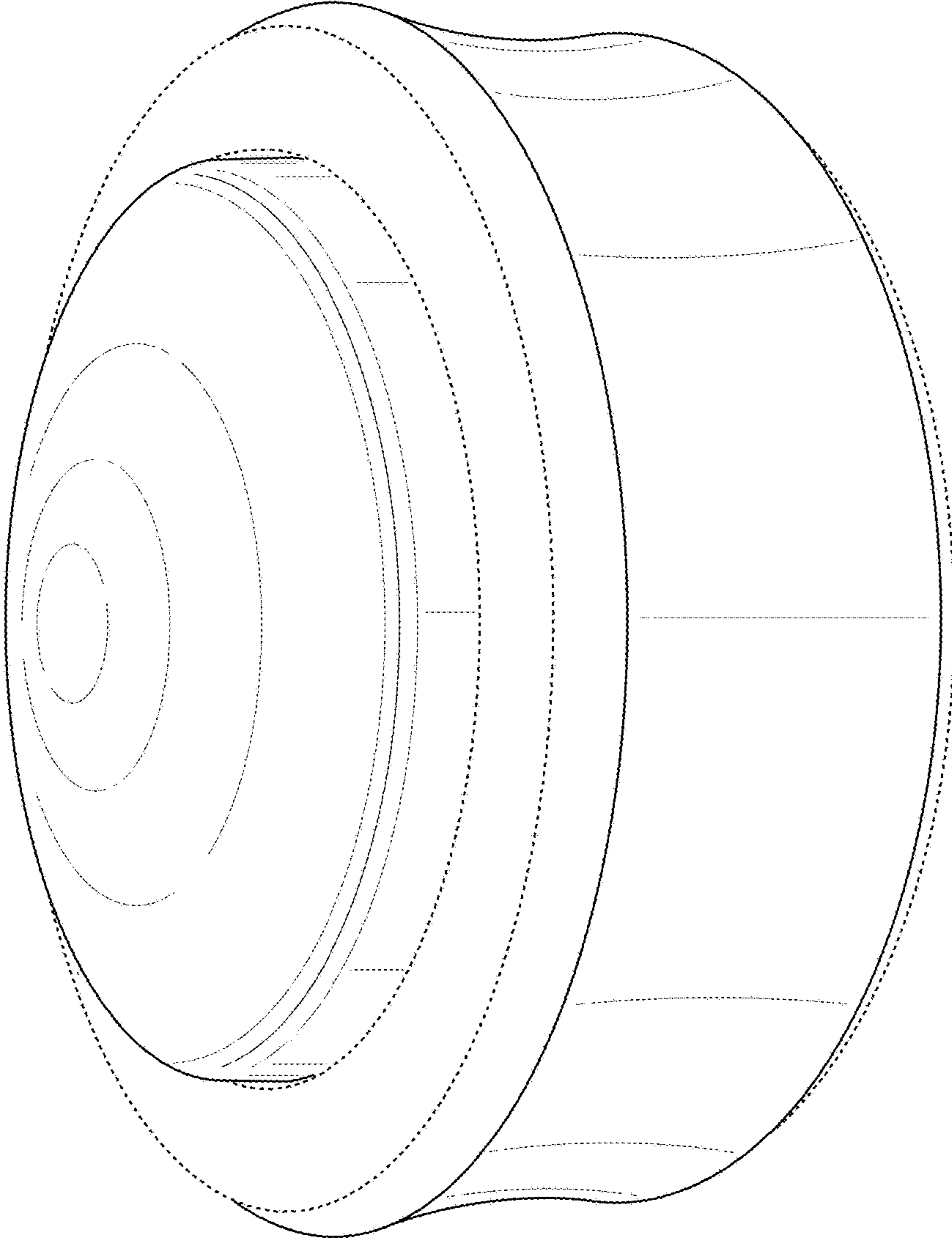
The ornamental design for a button device, as shown and described.

**DESCRIPTION**

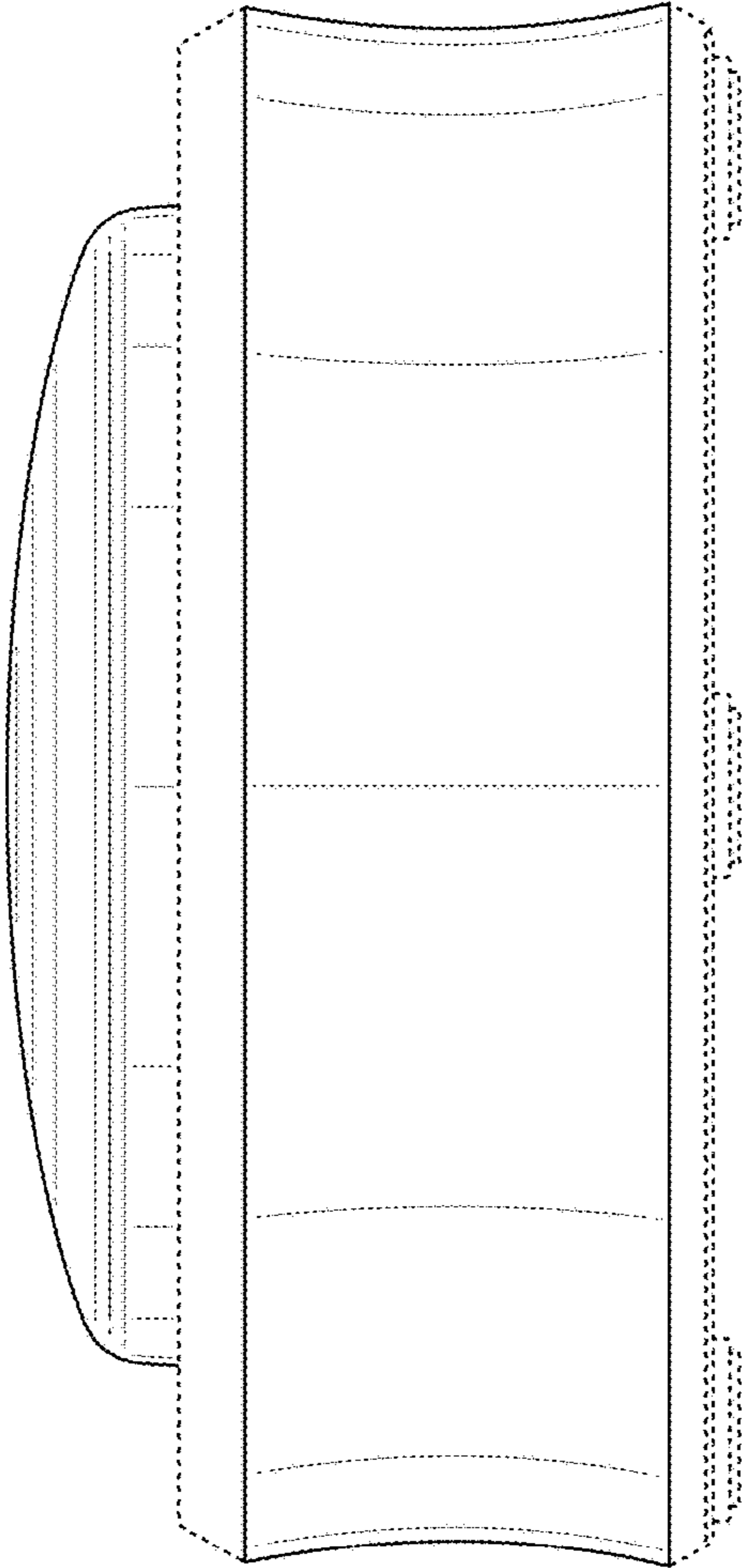
FIG. 1 is a top perspective view of a button device; FIG. 2 is a left-side view thereof; FIG. 3 is a right-side view thereof; FIG. 4 is a front view thereof; FIG. 5 is a back view thereof; FIG. 6 is a top view thereof; and, FIG. 7 is a bottom view thereof. The dashed broken lines depict portions of the button device that form no part of the claimed design.

**1 Claim, 7 Drawing Sheets**

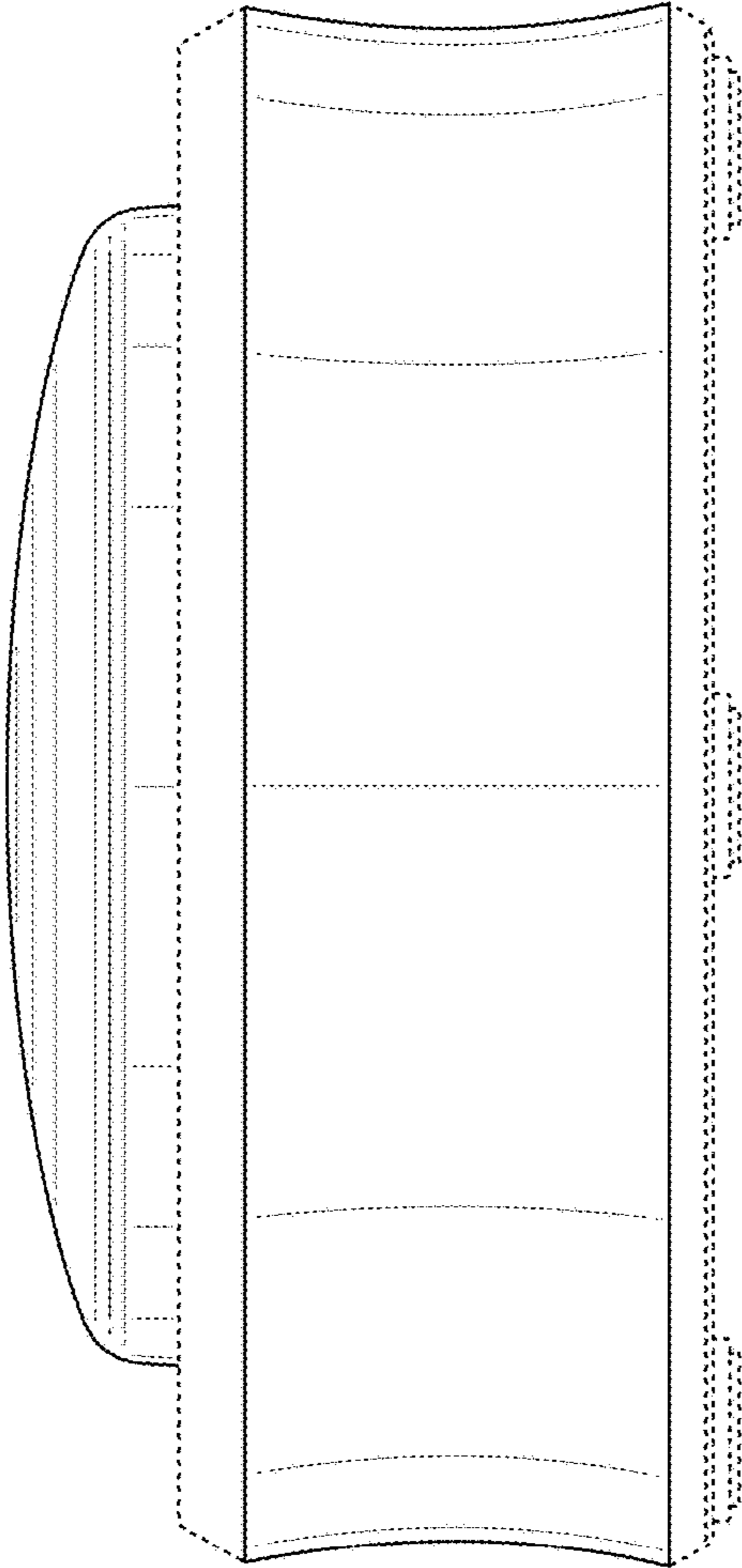




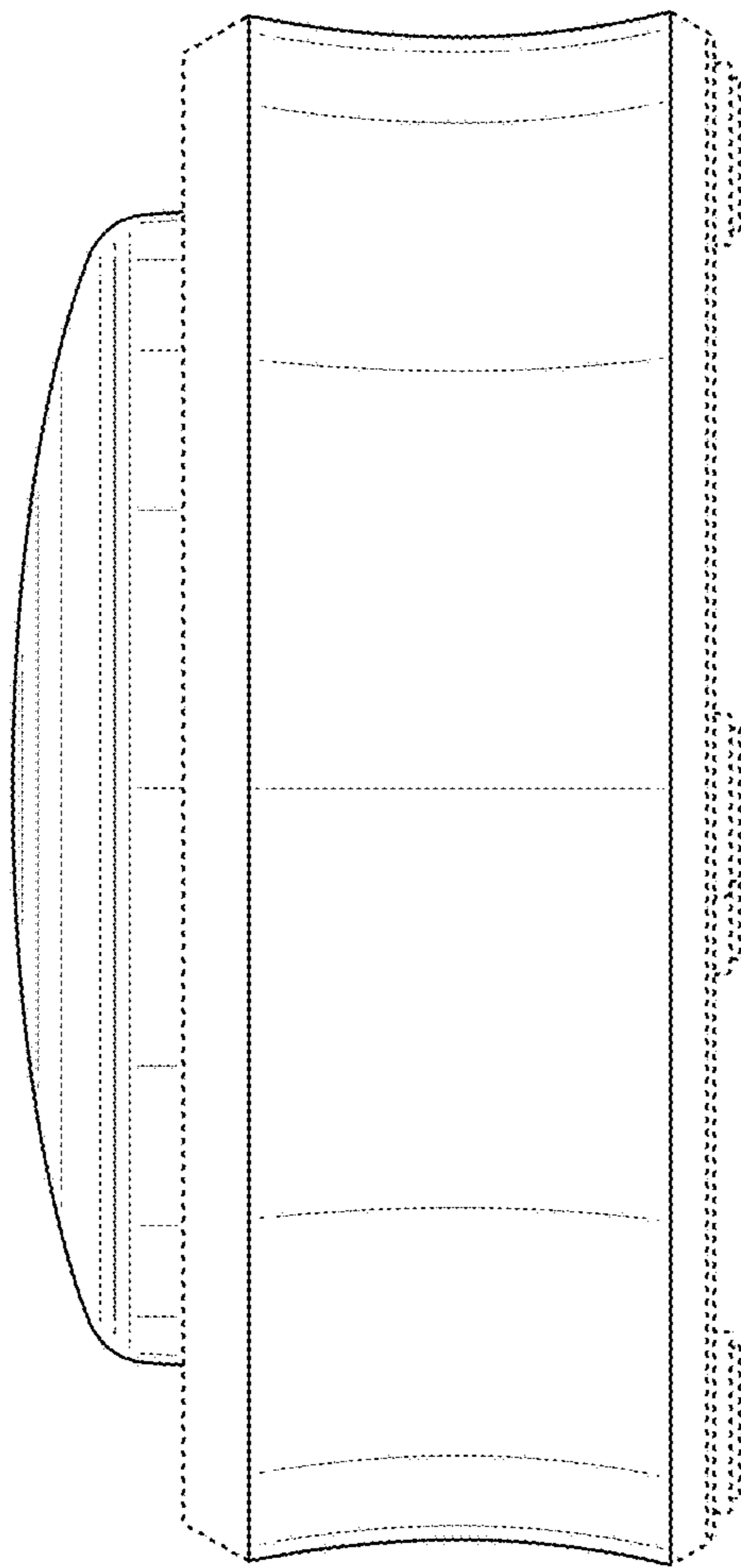
**FIG. 1**



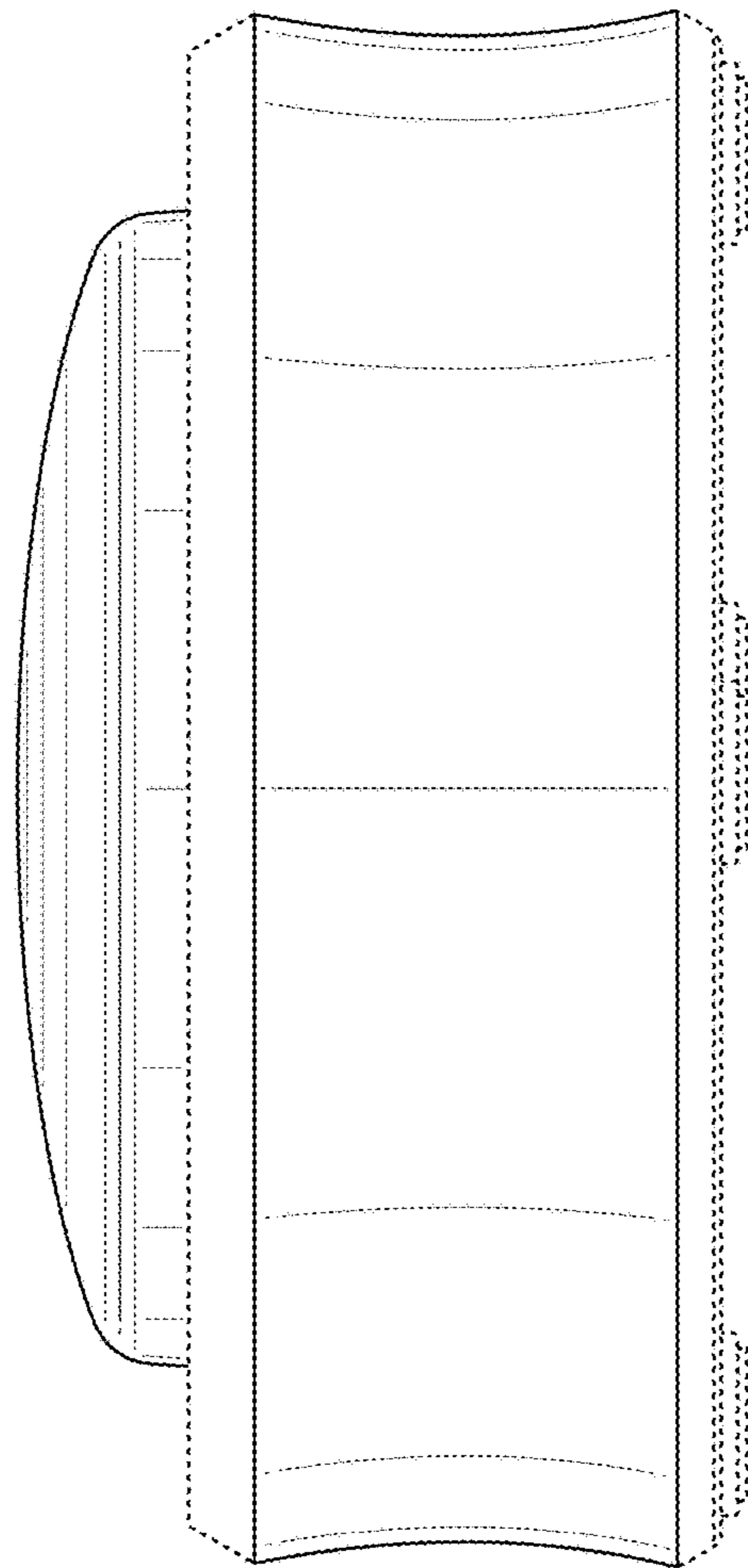
**FIG. 2**



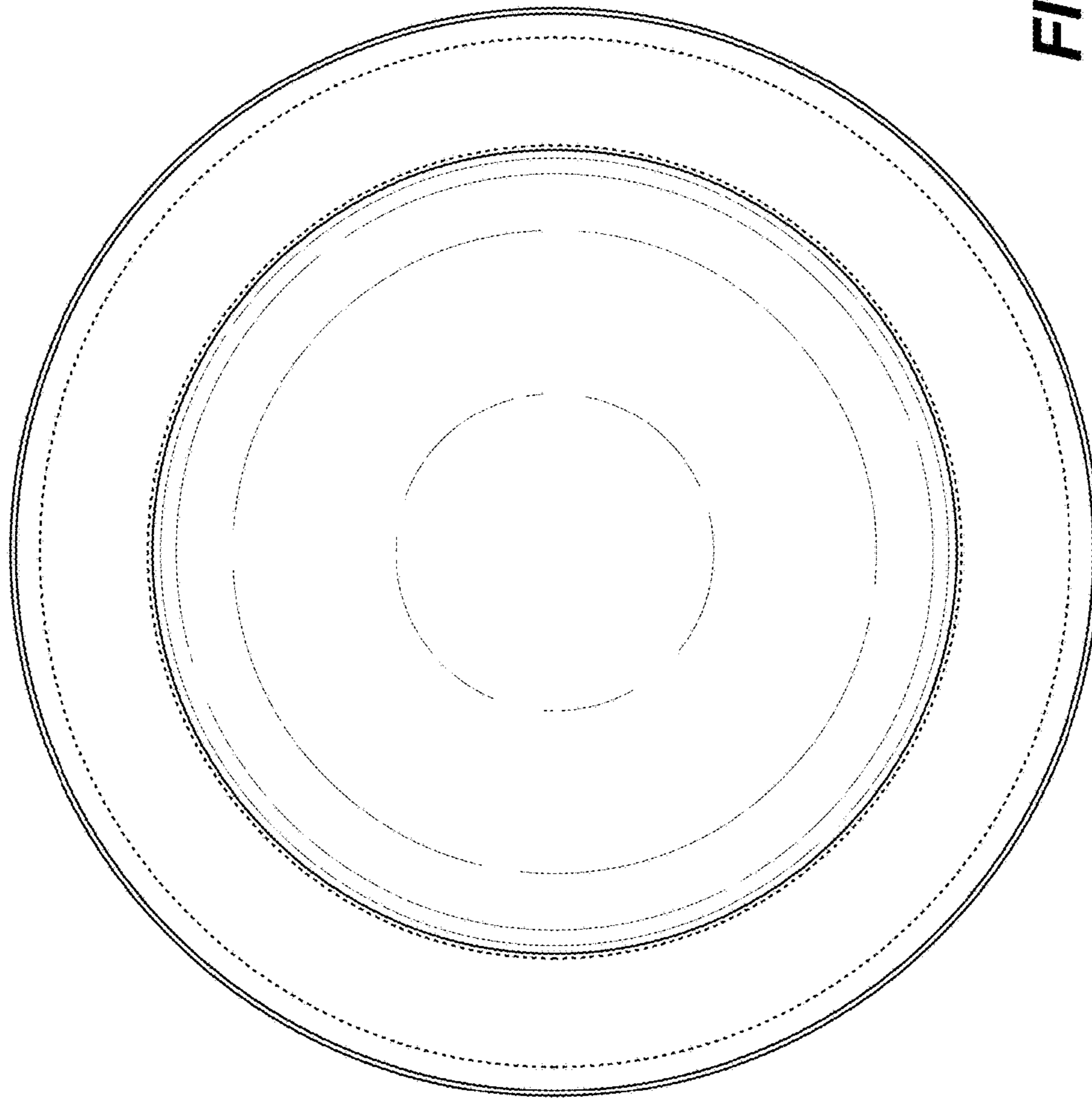
**FIG. 3**



**FIG. 4**



**FIG. 5**



**FIG. 6**

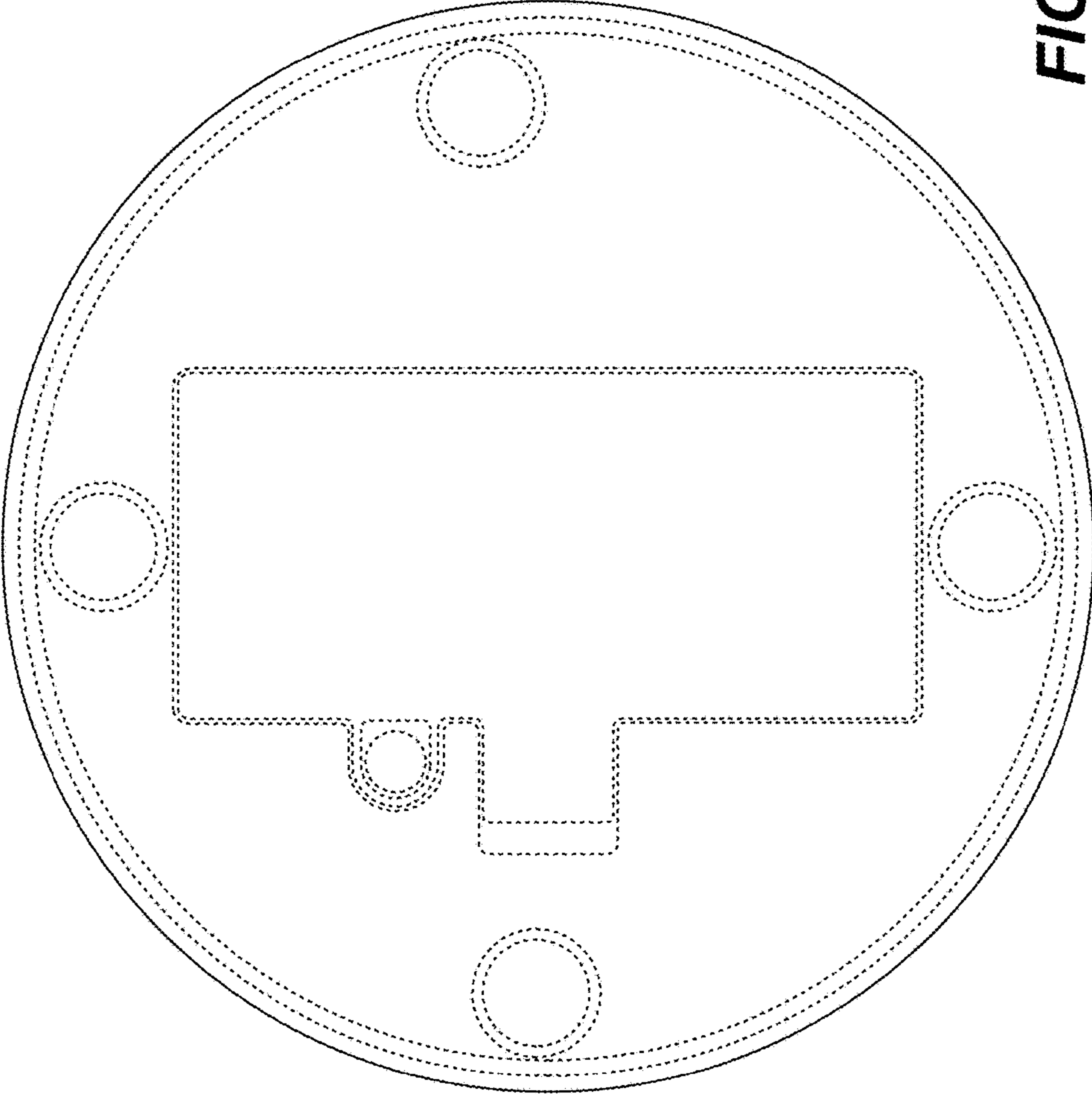


FIG. 7