



US00D868066S

(12) **United States Design Patent**  
**Yang et al.**

(10) **Patent No.:** **US D868,066 S**

(45) **Date of Patent:** **\*\* Nov. 26, 2019**

(54) **HANDHELD ELECTRONIC DEVICE**

(71) Applicant: **Hand Held Products, Inc.**, Fort Mill, SC (US)

(72) Inventors: **Dezhi Yang**, Shanghai (CN); **Kop Liu**, Huizhou (CN); **Peng Zhou**, Jiangsu (CN)

(73) Assignee: **HAND HELD PRODUCTS, INC.**, Fort Mill, SC (US)

(\*\*) Term: **15 Years**

(21) Appl. No.: **29/617,491**

(22) Filed: **Sep. 14, 2017**

(51) **LOC (12) Cl.** ..... **14-02**

(52) **U.S. Cl.**  
USPC ..... **D14/426**; D14/429

(58) **Field of Classification Search**

USPC ..... D14/420, 426-430, 453, 346, 341, 347, D14/412, 138; D13/107, 184; 358/473; 235/462.43, 462.45, 462.47, 462.48, 235/462.44, 462.46, 487, 472.01, 472.02, 235/145 A, 145 R; D10/78; 324/426; D3/273; 710/73; D18/7; 361/679, 728, 361/679.56, 679.4, 679.03, 679.01, 752; 382/313, 321; 455/575.1, 561, 572, 90.3; 345/156, 168, 169, 172, 173, 87; 705/17, 705/18, 22-25; 439/626; 312/223.2

CPC ..... G06F 1/626; G06F 1/1626; G06F 1/1656; G06F 1/1632; G06F 1/1684; G06F 1/1635; G06F 8/63; G06F 17/30091; G06F 9/4401; G06K 7/10881; G06K 7/1098; G06K 7/10722; G06K 7/1404; G06K 7/0004; G06K 7/10633; G06K 7/10851; G06K 7/1091; G06K 7/1092; G06K 7/1093; G06K 7/10; G06K 7/109; G06K 7/1417; G06K 9/228; G06K 17/0022; G06K 17/00; G06K 2207/1011; G06K 2207/1013; G06K 2207/1016; G06K 2207/1018; G06K 2017/0051; G06K 2017/0067; G06K 2007/10524;

G07G 1/0081; G07G 1/009; G06Q 20/20; G06Q 20/201; G06Q 20/202; G06Q 20/203; G06Q 20/30; G06Q 20/32; G06Q 20/322; G06Q 20/4014; G06Q 10/087; H04N 1/00127; H04N 1/00135; H04N 1/00326; H04N 1/00334; H04N 1/00307; H04N 1/107; H04N 2201/0084; H04N 2101/00; H04M 1/0249; H04M  
(Continued)

(56) **References Cited**

U.S. PATENT DOCUMENTS

D494,593 S \* 8/2004 Wulff ..... D14/347  
D496,366 S \* 9/2004 Croley ..... D14/341

(Continued)

OTHER PUBLICATIONS

Chinese Office Action for corresponding Chinese Application No. 201830094435.6, dated Dec. 27, 2018, 2 pages.

*Primary Examiner* — Susan Moon Lee

(74) *Attorney, Agent, or Firm* — Alston & Bird LLP

(57) **CLAIM**

We claim the ornamental design for a handheld electronic device, as shown and described.

**DESCRIPTION**

FIG. 1 is a perspective view of a handheld electronic device showing our new design;

FIG. 2 is another perspective view thereof;

FIG. 3 is a front elevation view thereof;

FIG. 4 is a rear elevation view thereof;

FIG. 5 is a left side elevation view thereof;

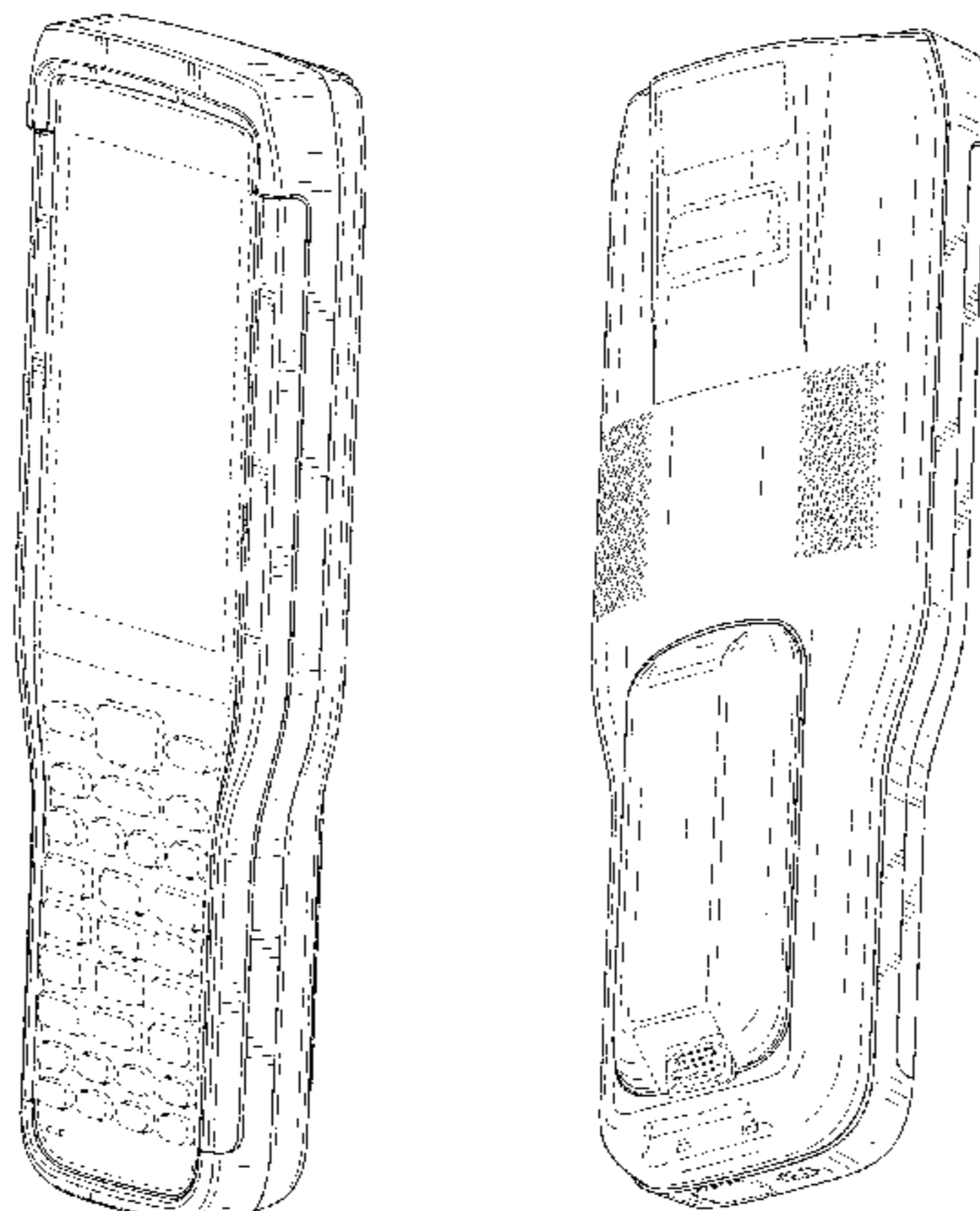
FIG. 6 is a right side elevation view thereof;

FIG. 7 is a top plan view thereof; and,

FIG. 8 is a bottom plan view thereof.

The broken lines are directed to unclaimed features and form no part of the claimed design.

**1 Claim, 6 Drawing Sheets**



(58) **Field of Classification Search**

CPC .... 1/0262; H04M 1/0266; H04M 1/18; H04M  
 1/23; H04M 1/236; H04B 1/3827; H04B  
 1/3833; H04B 1/3877; H04B 1/3883;  
 H04B 1/3888; H04B 2001/3894; H01M  
 2/1066

See application file for complete search history.

(56) **References Cited**

U.S. PATENT DOCUMENTS

D538,292 S \* 3/2007 Croley ..... D14/453  
 D558,776 S \* 1/2008 Croley ..... D14/453  
 D599,798 S \* 9/2009 Fitch ..... D14/426  
 D614,626 S \* 4/2010 Dai ..... D14/426  
 D614,627 S \* 4/2010 Lerner ..... D14/429  
 D619,138 S \* 7/2010 Ingold ..... D14/426  
 D629,001 S \* 12/2010 Palmer ..... D14/426  
 D641,354 S \* 7/2011 Hsu ..... D14/341  
 8,025,236 B2 \* 9/2011 Mangaroo ..... G06K 7/10881  
 235/462.43

8,048,552 B1 \* 11/2011 Mao ..... H01M 2/1066  
 429/97  
 8,169,786 B2 \* 5/2012 Mangaroo ..... G06F 1/1626  
 174/387  
 D664,145 S \* 7/2012 Cullen ..... D14/426  
 D673,955 S \* 1/2013 Mangaroo ..... D14/426  
 D677,663 S \* 3/2013 Minafo ..... D14/426  
 D704,711 S \* 5/2014 Minafo ..... D14/426  
 D716,307 S \* 10/2014 Paufler ..... D14/426  
 D732,534 S \* 6/2015 Paufler ..... D14/428  
 D753,119 S \* 4/2016 Paufler ..... D14/426  
 D771,631 S \* 11/2016 Fitch ..... D14/426  
 D824,908 S \* 8/2018 Schooneveldt ..... D14/426  
 D829,212 S \* 9/2018 Bidwell ..... D14/426  
 D835,107 S \* 12/2018 Memke ..... D14/426  
 2006/0054704 A1 \* 3/2006 Fitch ..... G06F 1/1626  
 235/472.01  
 2009/0168337 A1 \* 7/2009 Conti ..... G06F 1/1626  
 361/679.56  
 2012/0327577 A1 \* 12/2012 Reed ..... G06F 1/1656  
 361/679.03  
 2014/0217180 A1 \* 8/2014 Liu ..... E05B 73/0005  
 235/472.01

\* cited by examiner

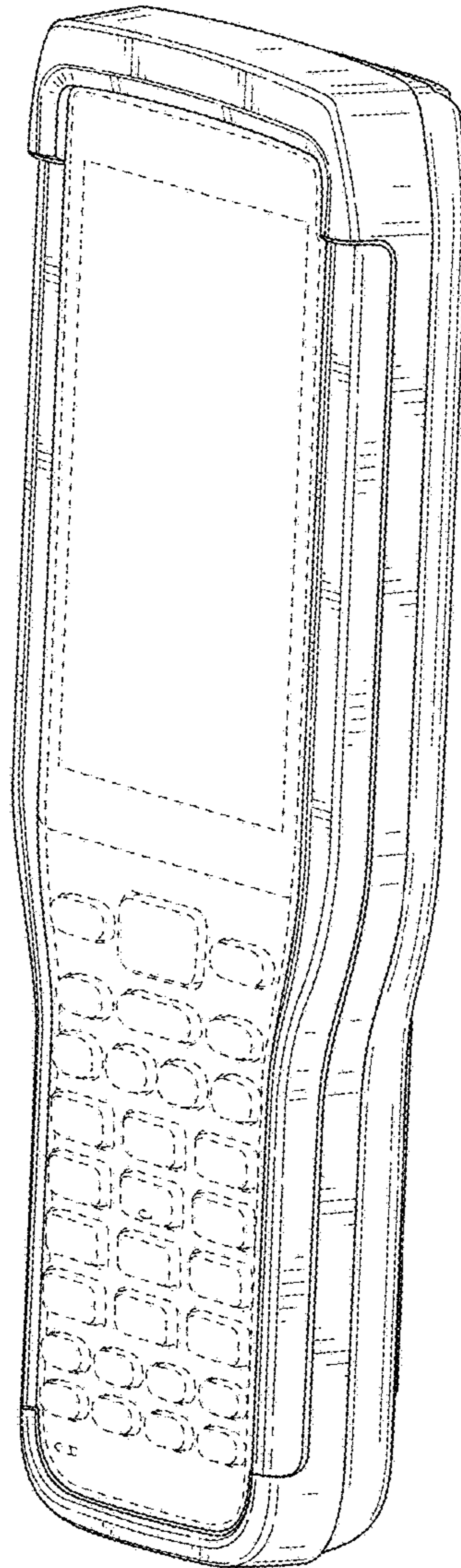


FIG. 1

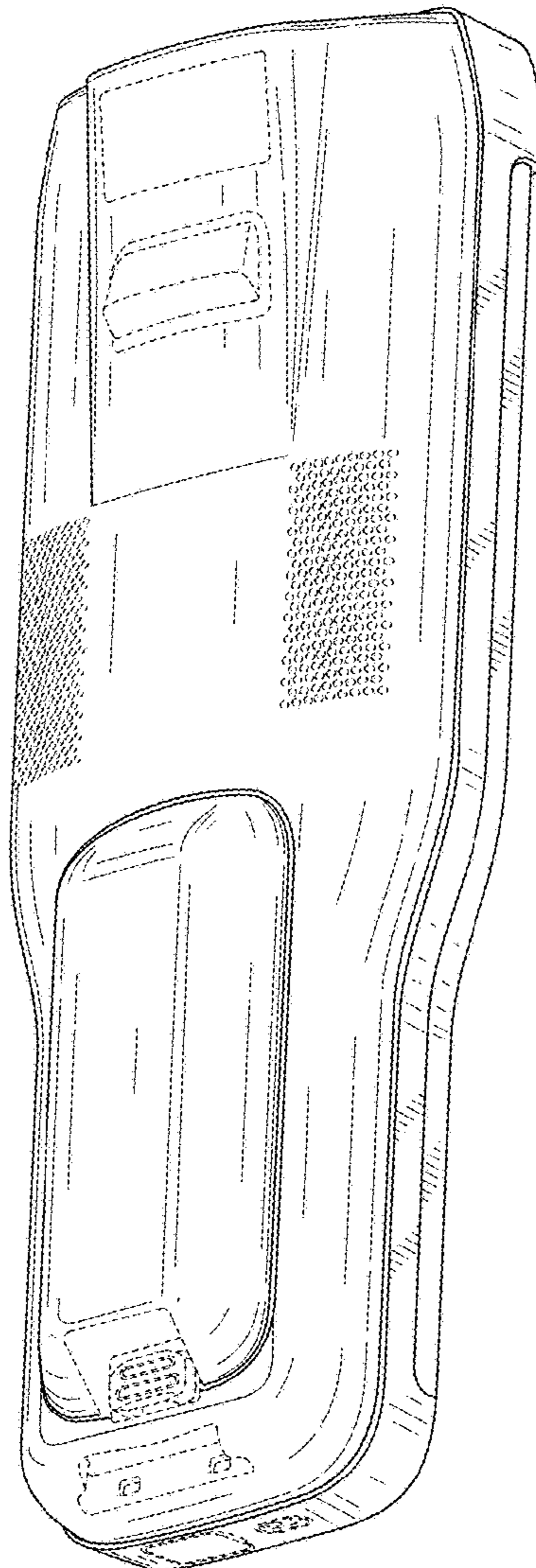


FIG. 2

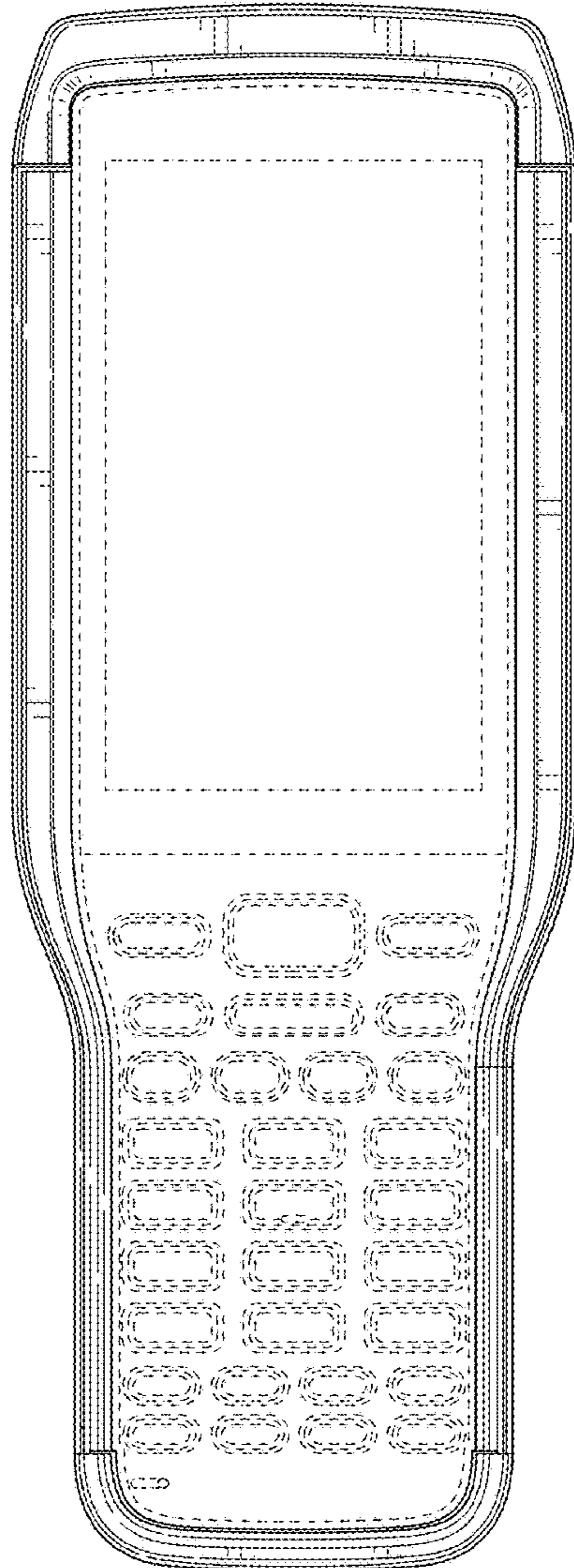


FIG. 3

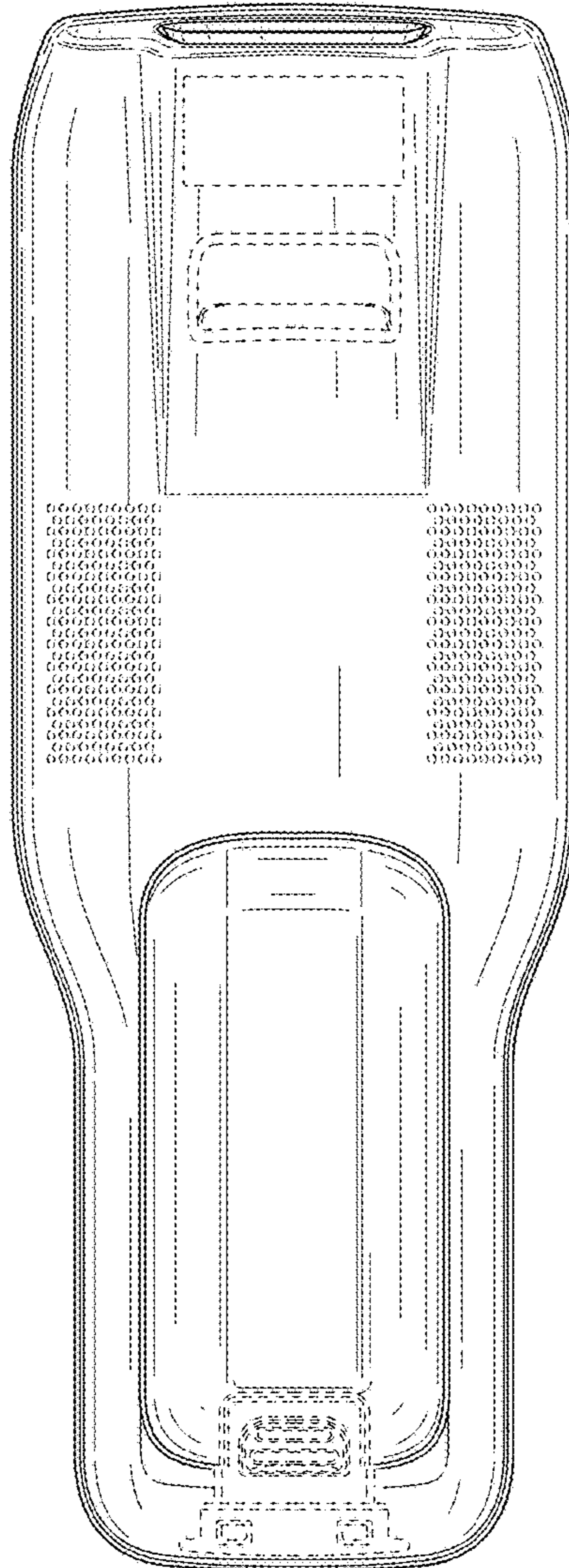


FIG. 4

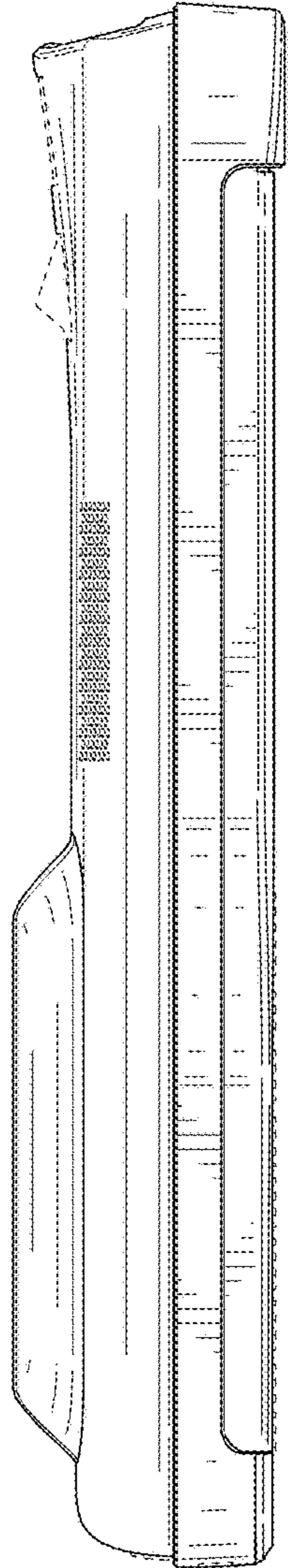


FIG. 5

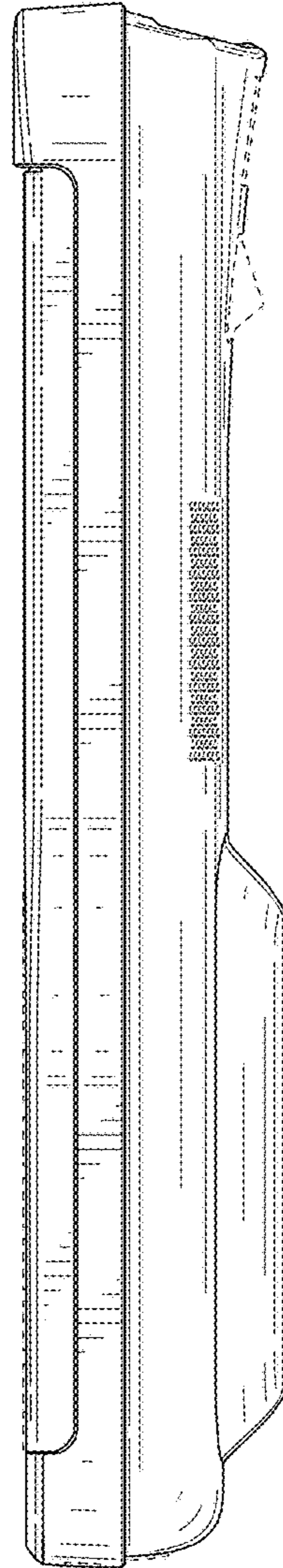


FIG. 6

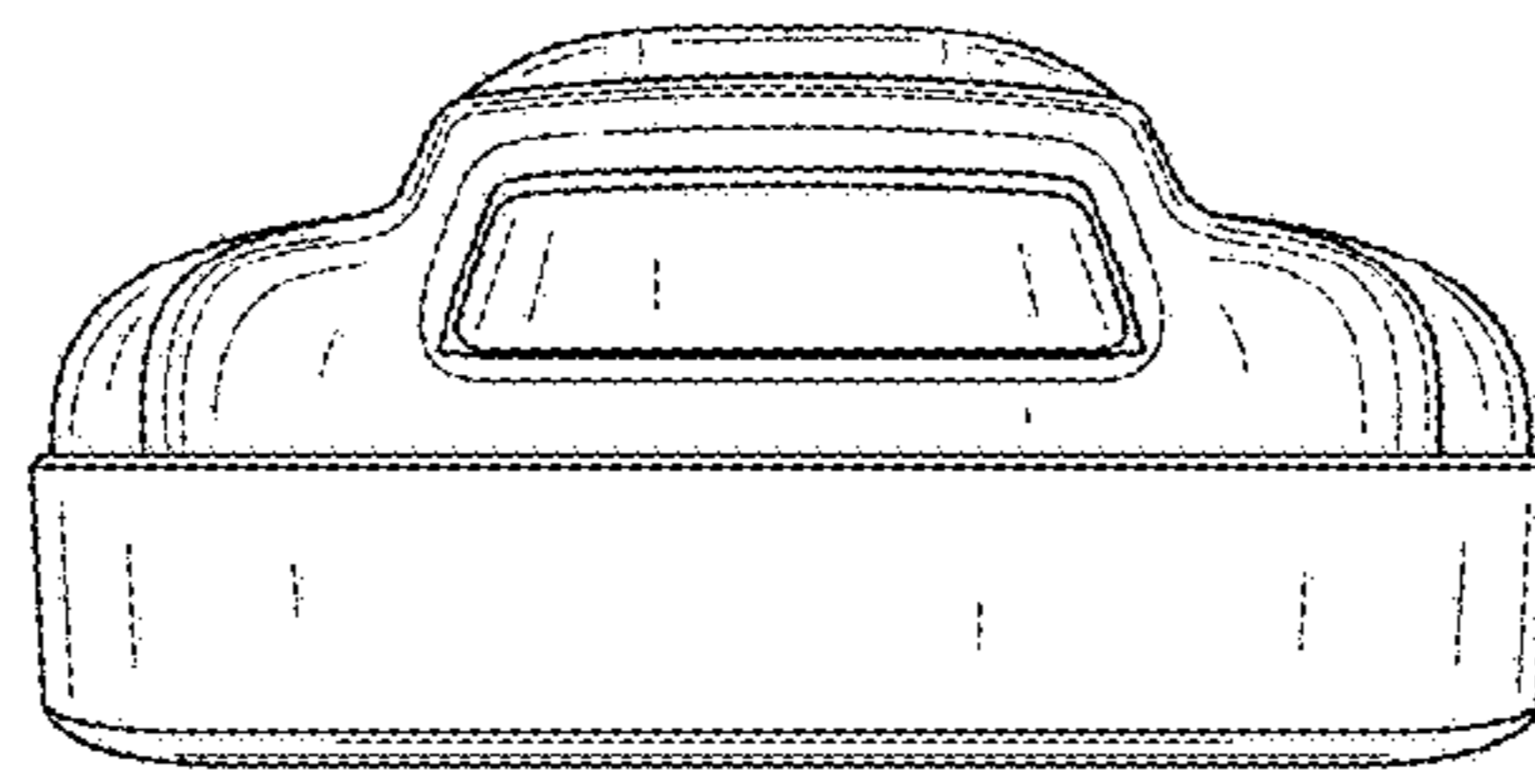


FIG. 7

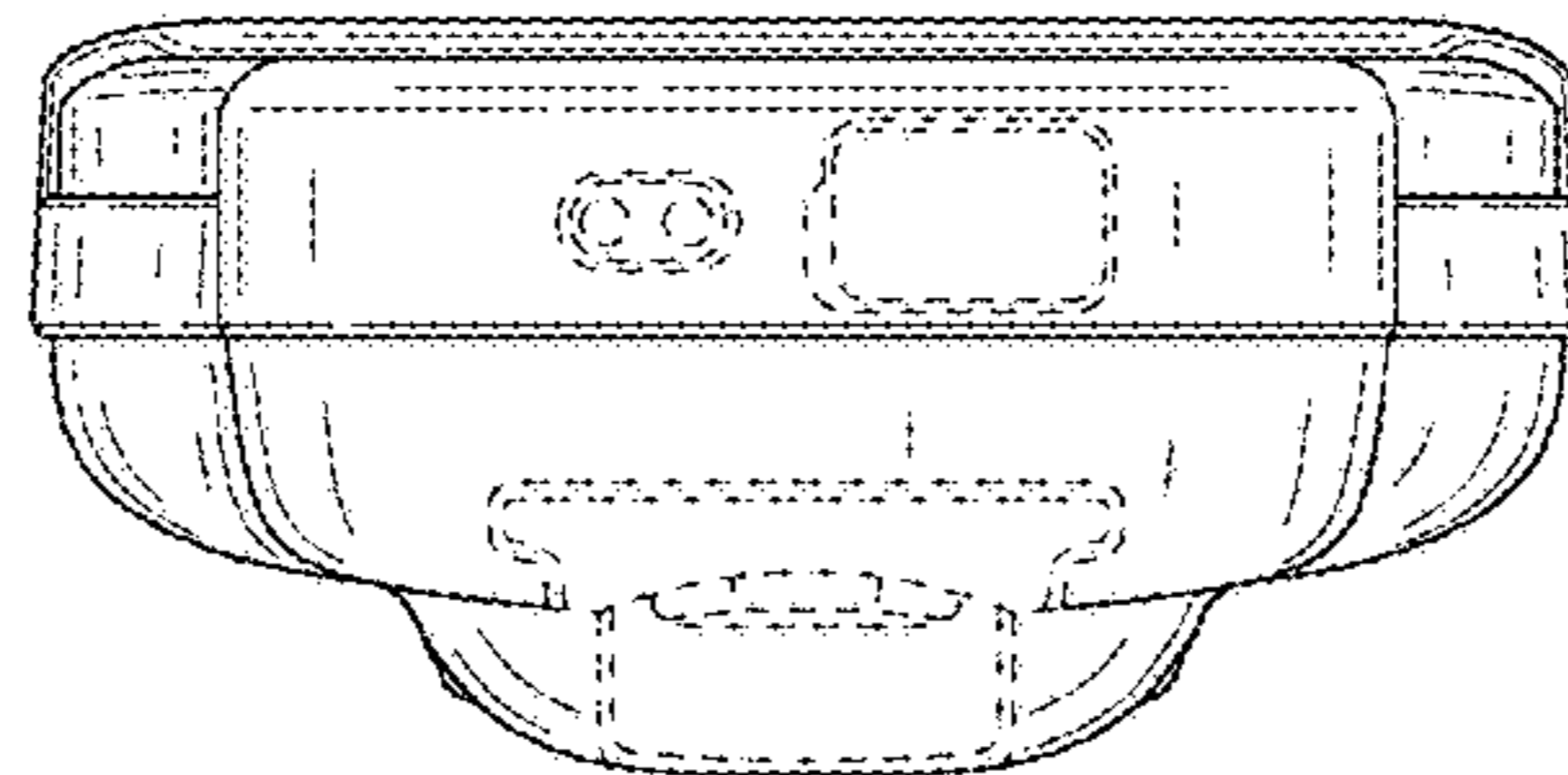


FIG. 8