



US00D868062S

(12) **United States Design Patent**
Haranaka et al.

(10) **Patent No.:** **US D868,062 S**

(45) **Date of Patent:** **** Nov. 26, 2019**

(54) **CORE OF A WEARABLE INFORMATION
TERMINAL**

H04M 1/04; H04M 1/05; H04M 1/667;
H04M 1/6058; Y02B 60/1217

See application file for complete search history.

(71) Applicant: **Sharp Kabushiki Kaisha**, Sakai, Osaka
(JP)

(56) **References Cited**

U.S. PATENT DOCUMENTS

(72) Inventors: **Akira Haranaka**, Saika (JP); **Tadahiko
Saimen**, Sakai (JP)

D540,205 S * 4/2007 Hsu D10/65
D622,856 S * 8/2010 Ramsey D24/186
D712,541 S * 9/2014 Brigham D24/167

(Continued)

(73) Assignee: **Sharp Kabushiki Kaisha**, Sakai, Osaka
(JP)

FOREIGN PATENT DOCUMENTS

(**) Term: **15 Years**

EM 002606574-0001 1/2015
JP D1537085 11/2015
JP D1584098 8/2017

(21) Appl. No.: **29/613,140**

OTHER PUBLICATIONS

(22) Filed: **Aug. 8, 2017**

Sharp funband user's manual, posted unknown, [retrieved Jul. 27,
2018]. Retrieved from Internet, <URL: <https://funband.jp/wp-content/themes/funband/pdf/usersguide.pdf> >.*

(Continued)

(30) **Foreign Application Priority Data**

Feb. 28, 2017 (JP) 2017-003918

(51) **LOC (12) Cl.** **14-02**

Primary Examiner — Barbara Fox

(52) **U.S. Cl.**

Assistant Examiner — Kristin E Reed

USPC **D14/344**

(74) *Attorney, Agent, or Firm* — Nixon & Vanderhye P.C.

(58) **Field of Classification Search**

(57) **CLAIM**

USPC .. D14/138 R, 144, 341, 344, 358, 388, 218;
D10/30–39, 70, 98; D11/3, 4, 26, 93–94,
D11/78.1, 79, 86; D24/167, 169,
D24/186–187, 164

The ornamental design for a “core of a wearable information
terminal,” as shown and described.

DESCRIPTION

CPC A41D 1/002; A41D 19/0034; G06F 1/04;
G06F 1/08; G06F 1/10; G06F 1/14; G06F
1/1626; G06F 1/1628; G06F 1/163; G06F
1/1635; G06F 1/3203; G06Q 20/10;
G06Q 20/12; G06Q 20/108; G06Q
20/145; H04B 1/3833; H04B 1/385;
H04B 1/3888; H04M 1/02; H04M 1/03;

FIG. 1 is a front, right perspective view of a core of a
wearable information terminal in accordance with our new
design;

FIG. 2 is a front elevation view thereof;

FIG. 3 is rear elevation view thereof;

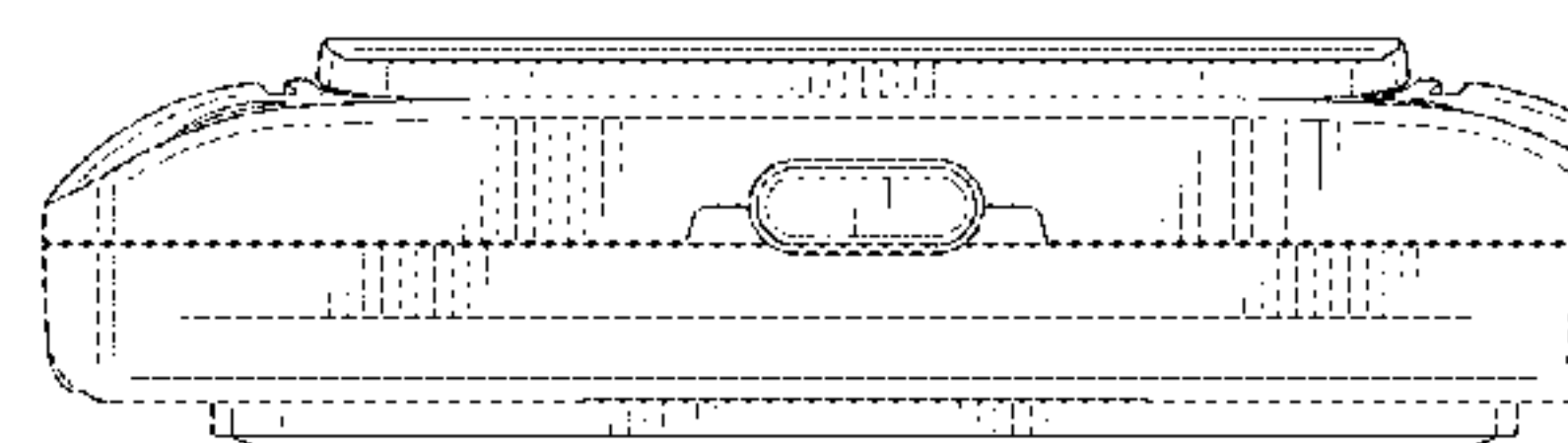
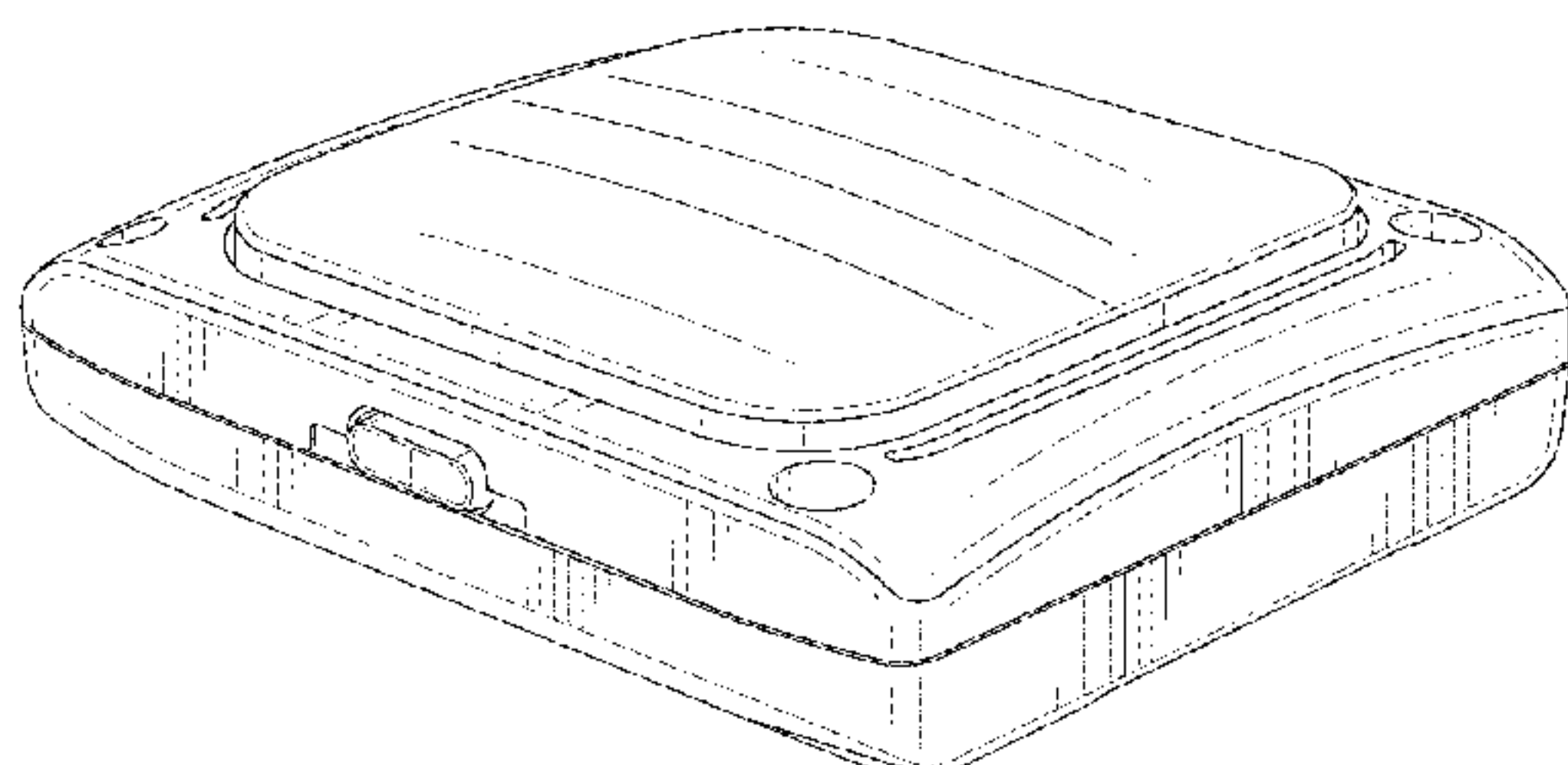
FIG. 4 is a top plan view thereof;

FIG. 5 is a bottom plan view thereof;

FIG. 6 is a right-side elevation view thereof; and,

FIG. 7 is a left-side elevation view thereof.

(Continued)



The broken lines shown in drawings depict portions of the core of a wearable information terminal that form no part of the claimed design.

9,918,541 B2* 3/2018 Byun A45F 5/02
2012/0168471 A1* 7/2012 Wilson A45F 5/00
224/152
2014/0121539 A1* 5/2014 Chatterjee G06F 1/1626
600/479

1 Claim, 5 Drawing Sheets

OTHER PUBLICATIONS

(56)

References Cited

U.S. PATENT DOCUMENTS

D755,786 S * 5/2016 Lapetina D14/344
D759,623 S * 6/2016 Dahlberg D10/30
D763,107 S * 8/2016 Nielsen D10/30
D766,218 S * 9/2016 Yang D14/218
D768,858 S 10/2016 Komulainen
D797,100 S * 9/2017 Wieser D14/358
D799,479 S * 10/2017 Wieser D14/358
D807,401 S * 1/2018 Xu D14/496

MiFone W15 Smartwatch Review: It's Only \$30, posted Sep. 28, 2015, [retrieved Jul. 27, 2018]. Retrieved from Internet, <URL: <https://www.thestreet.com/story/13303564/1/mifone-w15-smartwatch-review-it-s-only-30.html> >.*

“DN-103, Evergreen, palm-sized and non-bulky multi-functional portable audio”, BR BCN Retail, (<https://www.bcnretail.com>), News Date and Time Jul. 15, 2011 18:10 with English translation.

English translations of Bibliographic data of the JP publications listed above (JP D1537085 and JP D2016-17535).

Design U.S. Appl. No. 29/613,136, filed Aug. 8, 2017, entitled “Wearable Information Terminal”.

* cited by examiner

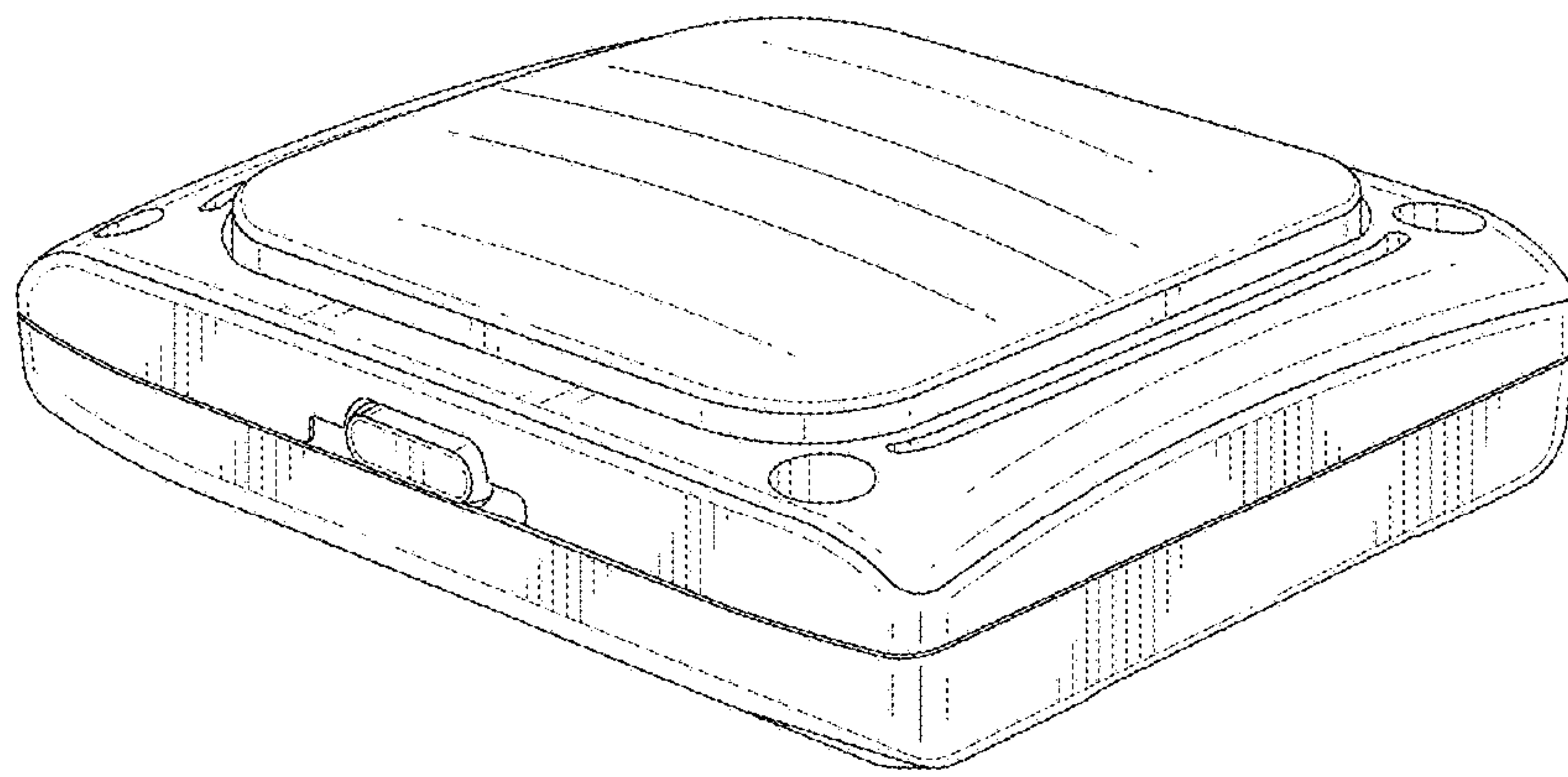


Fig. 1

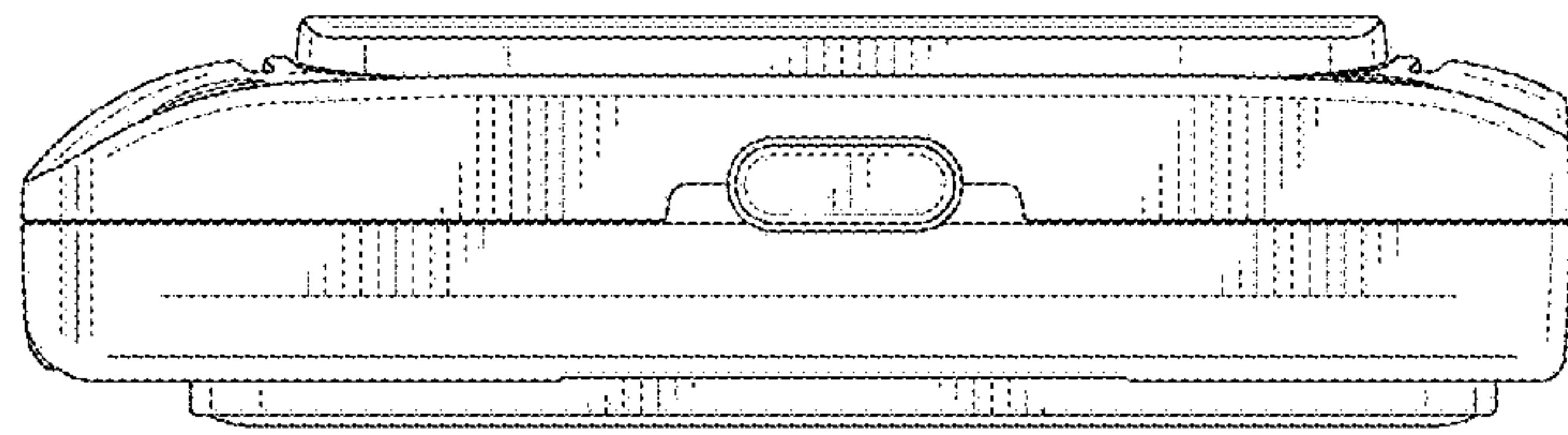


Fig. 2

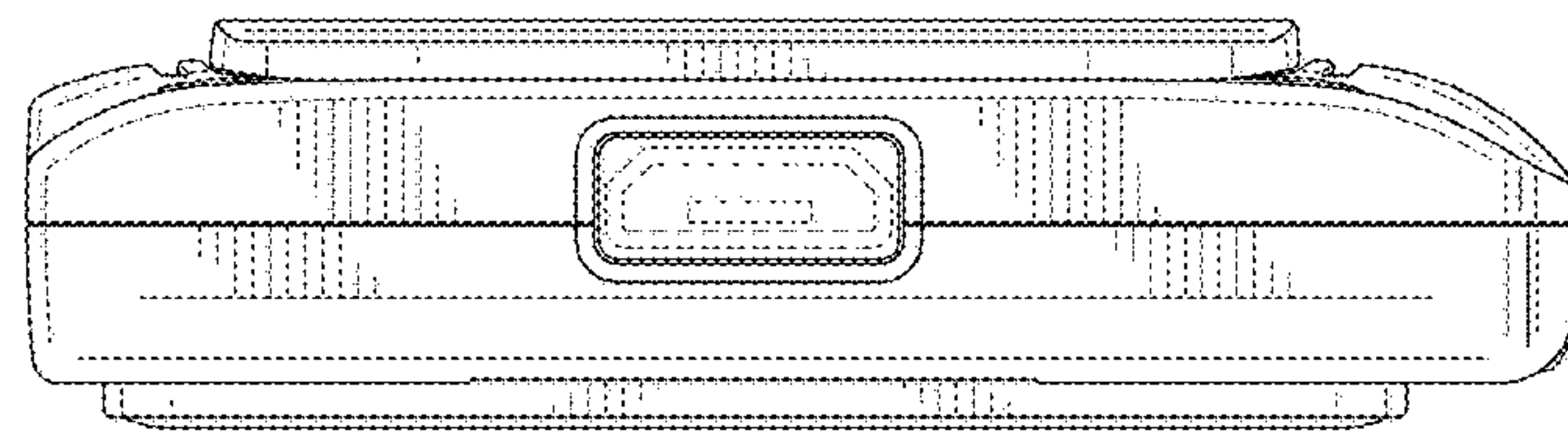


Fig. 3

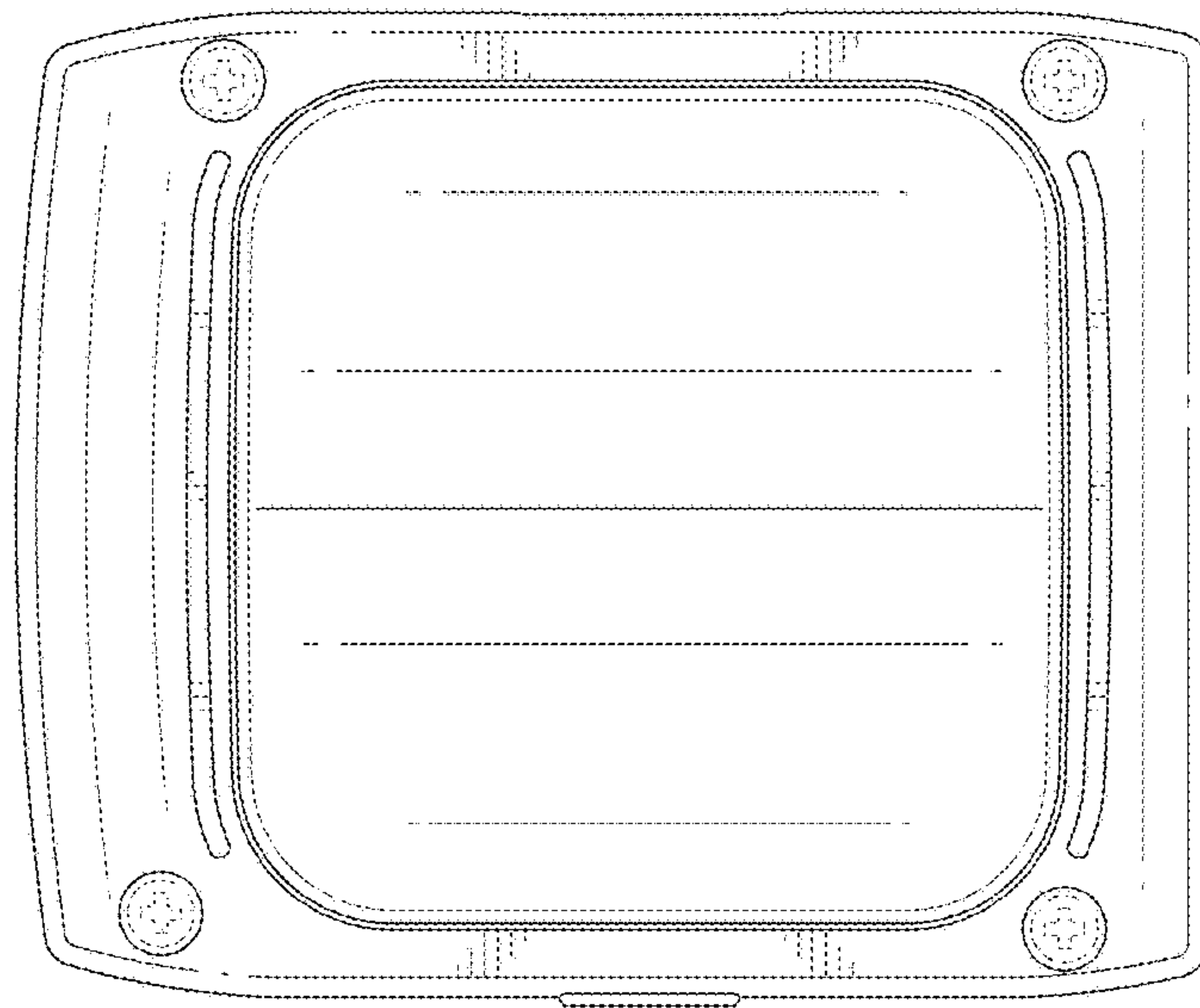


Fig. 4

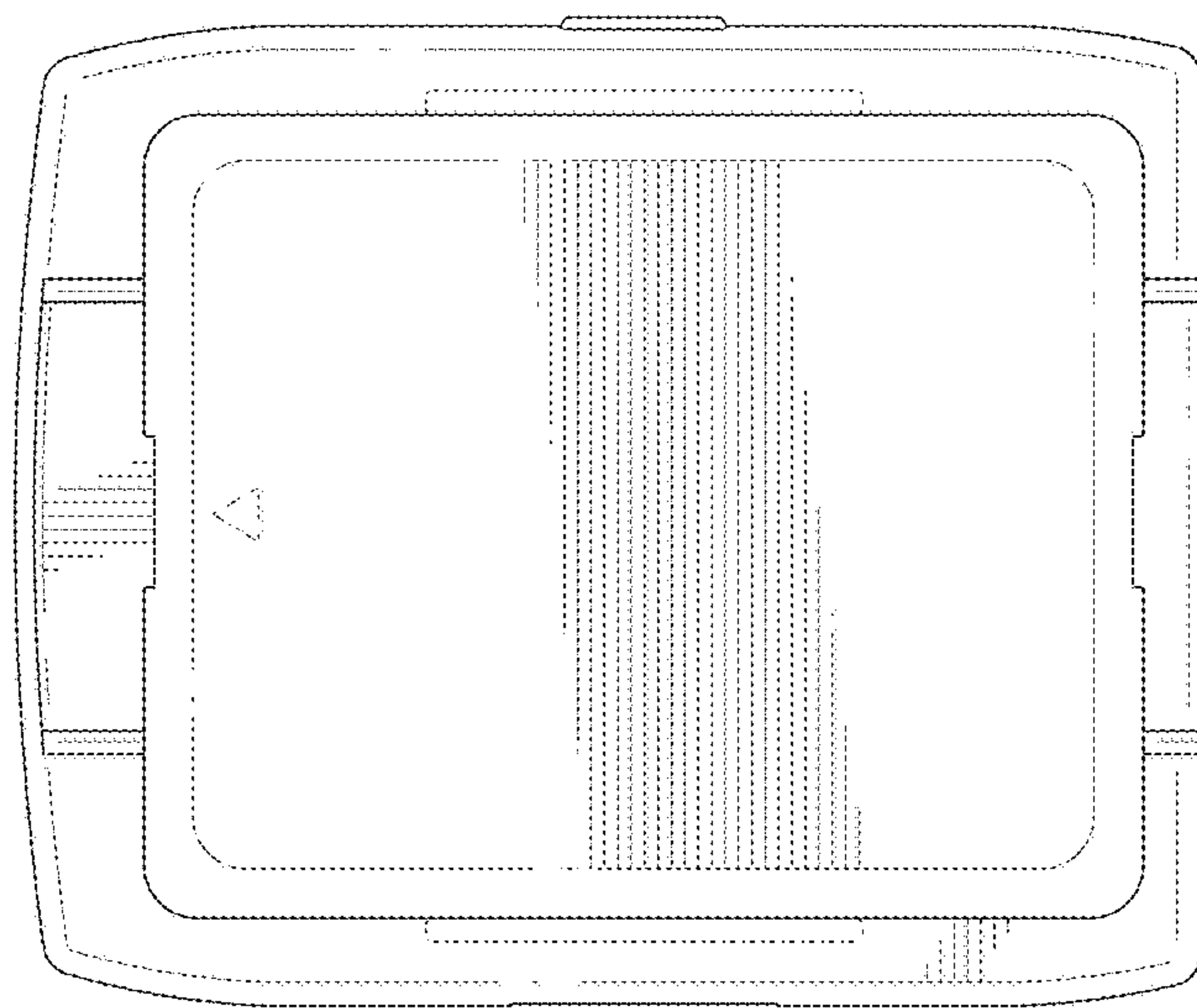


Fig. 5

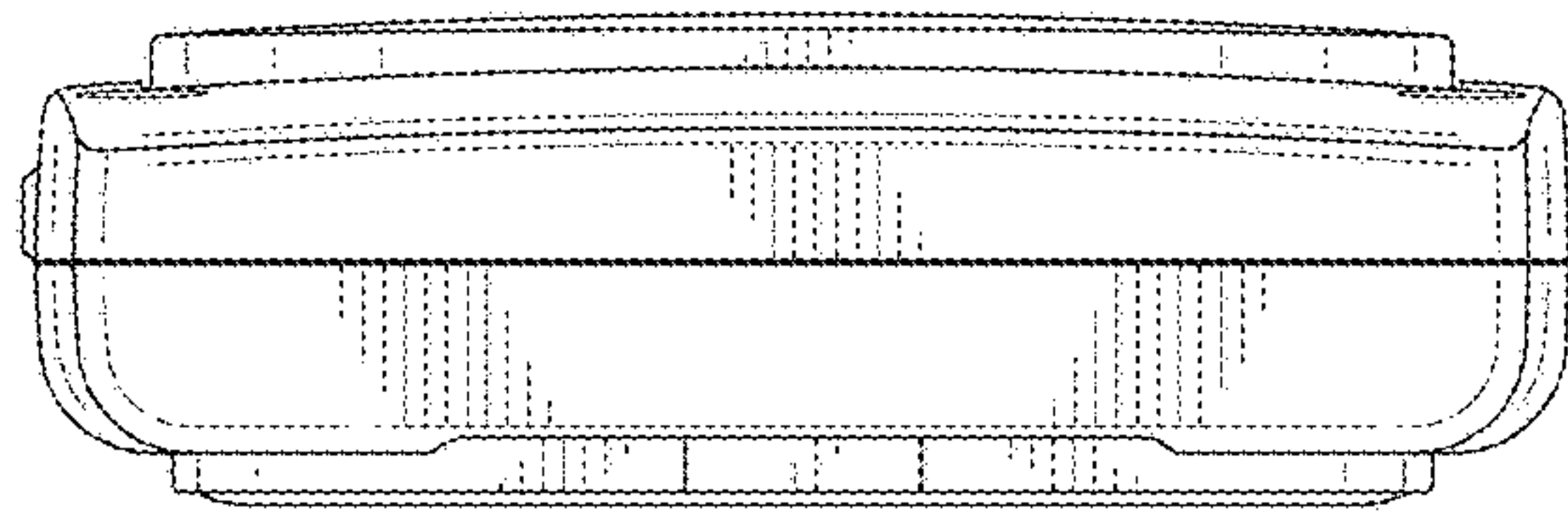


Fig. 6

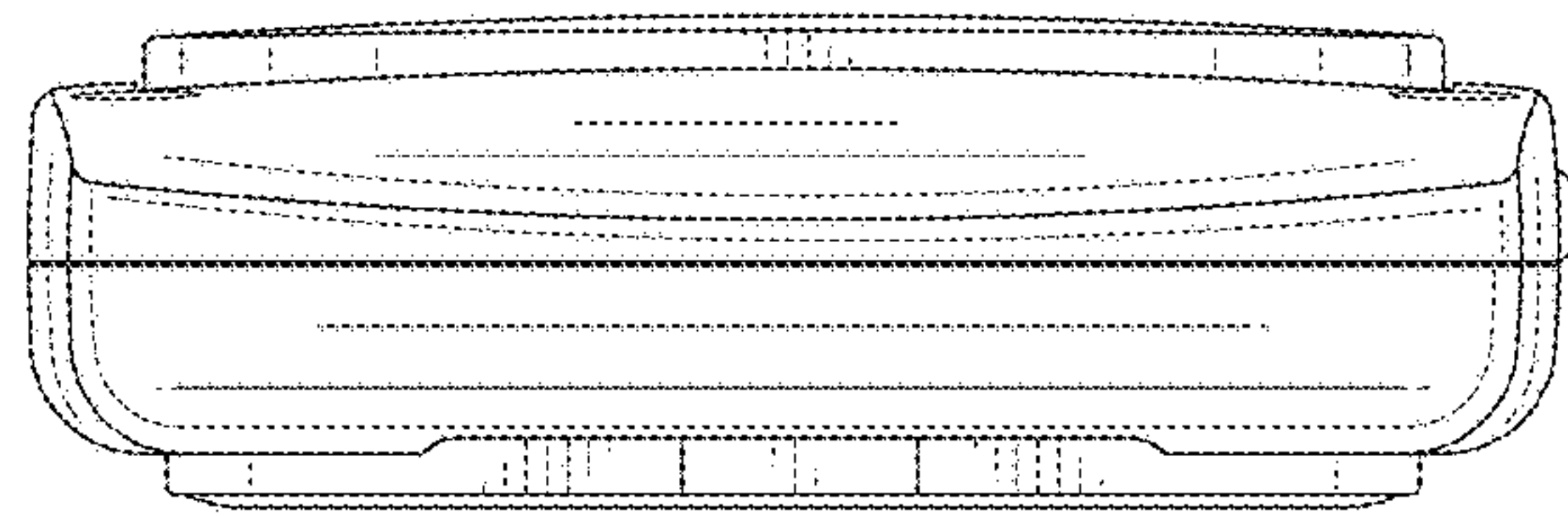


Fig. 7