

US00D868061S

(12) **United States Design Patent**
Yoon et al.

(10) **Patent No.:** **US D868,061 S**
(45) **Date of Patent:** **** Nov. 26, 2019**

(54) **WEARABLE ELECTRONIC DEVICE**

FOREIGN PATENT DOCUMENTS

(71) Applicant: **Samsung Electronics Co., Ltd.**,
Suwon-si (KR)

EM 000744123-0006 7/2009

(72) Inventors: **Byeongcheol Yoon**, Suwon-si (KR);
Jeongrok Park, Hwaseong-si (KR);
Kyungwan Park, Suwon-si (KR);
Soyoung Kim, Suwon-si (KR); **Shiyun**
Cho, Anyang-si (KR)

OTHER PUBLICATIONS

Style, Watches, Nixon Watch: "The Synapse", posted May 11, 2011,
[retrieved Jun. 26, 2017]. Retrieved from Internet, <URL: http://www.freshpilot.com/category/gear_and_wear/page/2/>.*

(Continued)

(73) Assignee: **SAMSUNG ELECTRONICS CO.,**
LTD., Suwon-si (KR)

Primary Examiner — Barbara Fox
Assistant Examiner — Kristin E Reed

(**) Term: **15 Years**

(74) *Attorney, Agent, or Firm* — McAndrews Held &
Malloy, Ltd.

(21) Appl. No.: **29/578,897**

(57) **CLAIM**

(22) Filed: **Sep. 26, 2016**

The ornamental design for a wearable electronic device, as
shown and described.

(30) **Foreign Application Priority Data**

DESCRIPTION

Mar. 24, 2016 (KR) 30-2016-0013726

(51) **LOC (12) Cl.** **14-02**

(52) **U.S. Cl.**
USPC **D14/344**

(58) **Field of Classification Search**
USPC D14/344, 138 R, 144, 358; D24/167,
D24/169, 186-187; D11/3, 93-94;
D10/30-39, 70, 98; 379/433.1;
361/679.03
CPC G06F 1/163; G06F 1/1628; G06F 1/1626;
G06F 1/1635; G06F 1/08; G06F 1/10;
G06F 1/04; G06F 1/14; G06F 1/3203;
A41D

FIG. 1 is a front perspective view of a first embodiment of
a wearable electronic device showing our new design;
FIG. 2 is a front elevation view thereof;
FIG. 3 is a rear elevation view thereof;
FIG. 4 is a left side elevation view thereof;
FIG. 5 is a right side elevation view thereof;
FIG. 6 is a top plan view thereof;
FIG. 7 is a bottom plan view thereof;
FIG. 8 is a front perspective view of a second embodiment
of a wearable electronic device showing our new design;
FIG. 9 is a front elevation view thereof;
FIG. 10 is a rear elevation view thereof;
FIG. 11 is a left side elevation view thereof;
FIG. 12 is a right side elevation view thereof;
FIG. 13 is a top plan view thereof; and,
FIG. 14 is a bottom plan view thereof.
The dashed broken lines in the drawings illustrate portions
of the wearable electronic device that form no part of the
claimed design.

(Continued)

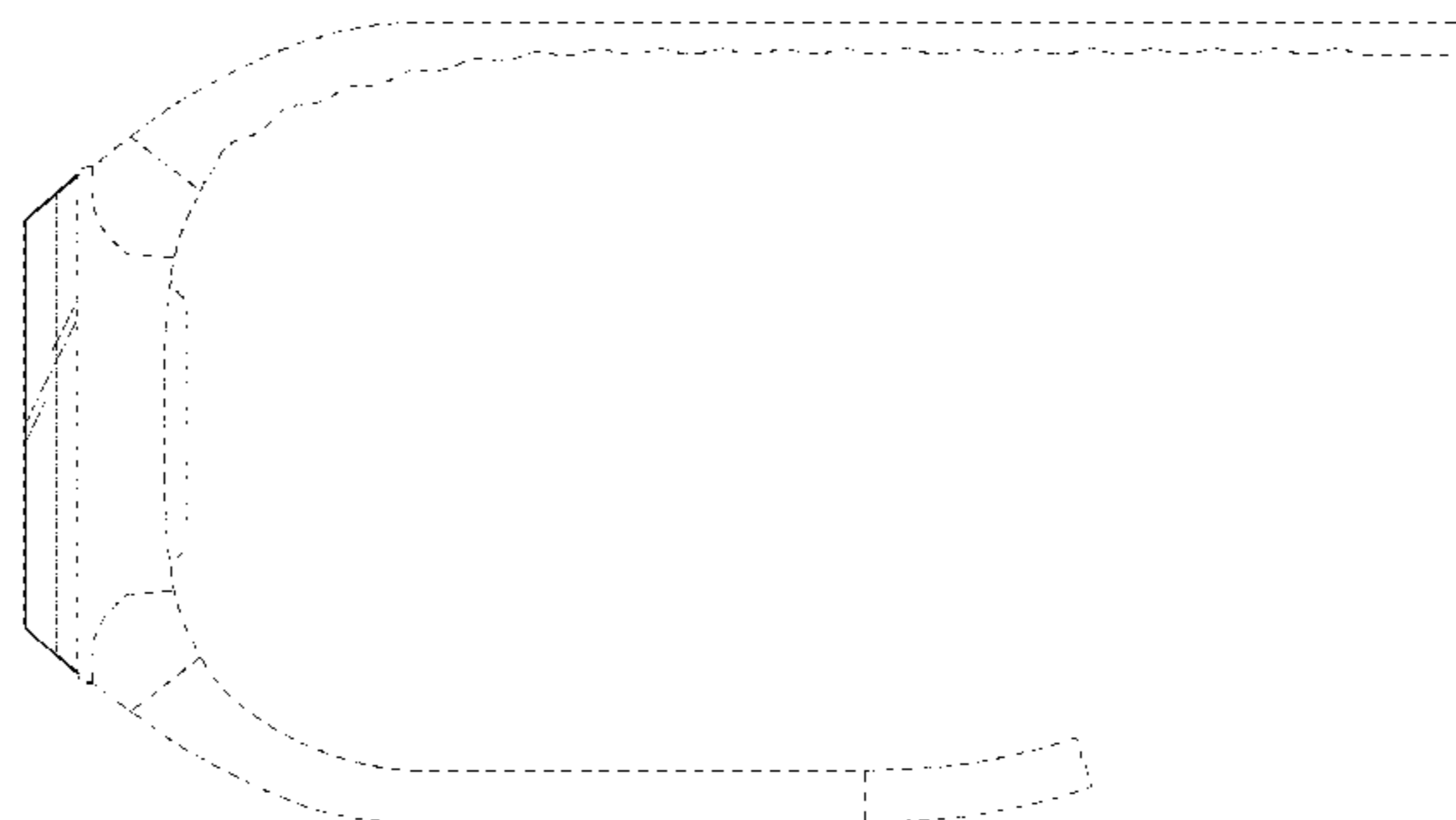
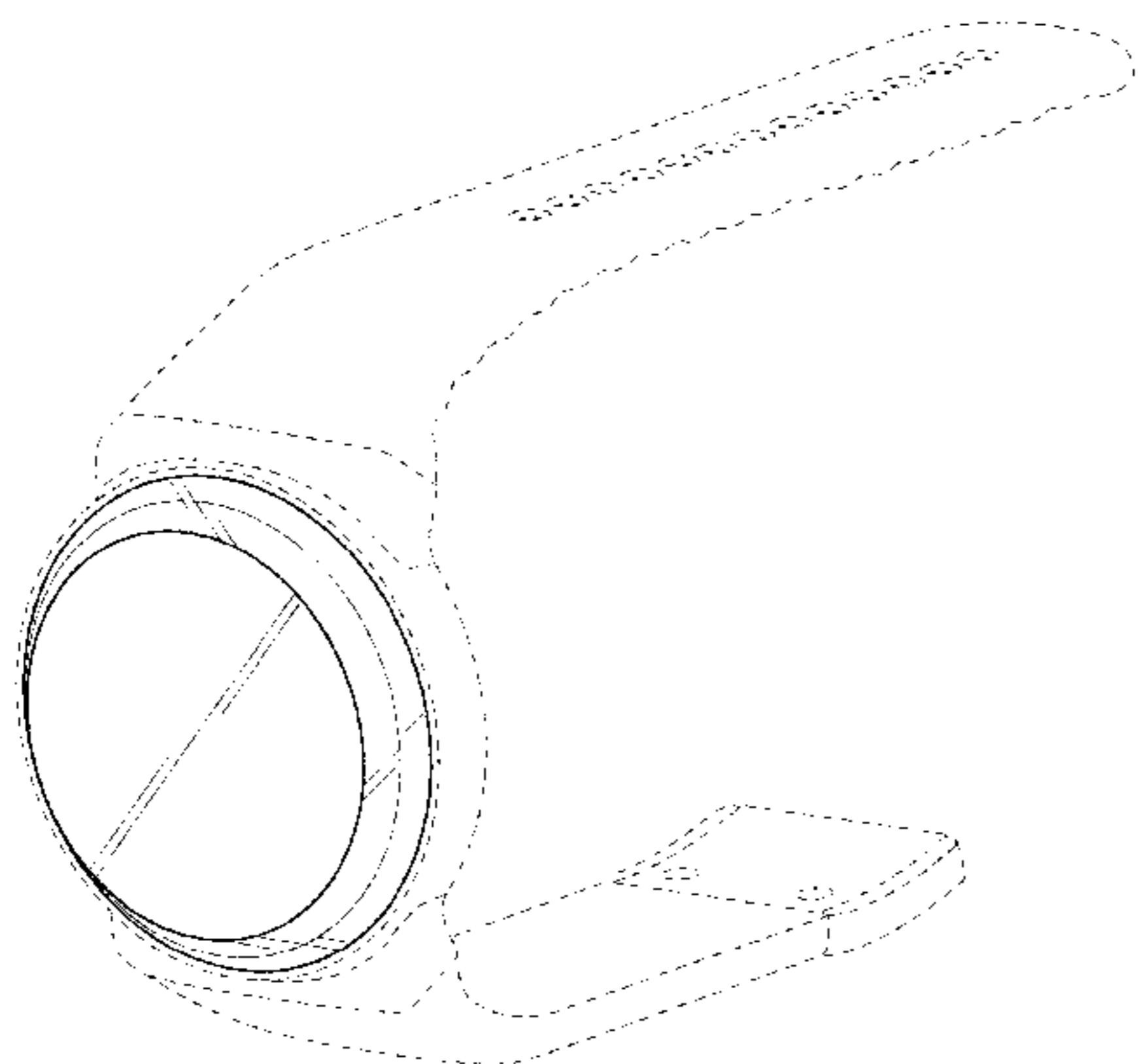
(56) **References Cited**

U.S. PATENT DOCUMENTS

D108,735 S * 3/1938 Merz D10/28
D108,738 S * 3/1938 Merz D10/38

(Continued)

1 Claim, 10 Drawing Sheets



(58) **Field of Classification Search**

CPC 1/002; H04M 1/02; H04M 1/03; H04M 1/04; H04M 1/05; H04M 1/667; H04M 1/6058; Y02B 60/12; H04B 1/385; H04B 1/3888; H04B 1/3833; G06Q 20/10; G06Q 20/108; G06Q 20/12; G06Q 20/145

See application file for complete search history.

(56) **References Cited**

U.S. PATENT DOCUMENTS

D188,062 S * 5/1960 Prétat D10/38
 D235,520 S * 6/1975 Kwon D10/39
 D246,577 S * 12/1977 Inaba D10/30
 D249,244 S * 9/1978 Salter D10/32
 D250,761 S * 1/1979 Vong D10/38
 D284,356 S * 6/1986 Porsche D10/32
 D287,762 S * 1/1987 McCune D24/143
 D325,534 S * 4/1992 Bulgari D10/39
 D351,797 S * 10/1994 White D10/15
 D394,959 S * 6/1998 Kwan D6/300
 D398,862 S * 9/1998 Craven D10/31
 D441,668 S * 5/2001 Dumas D10/39
 D457,073 S * 5/2002 Scarinzi D10/30
 D471,469 S * 3/2003 Vanderbeek D10/30
 D477,235 S * 7/2003 El Kadiri D10/30
 D503,894 S * 4/2005 Tu D10/30
 D508,210 S * 8/2005 Lalo D10/30
 D513,196 S * 12/2005 Lazaretnik D10/39
 D514,590 S * 2/2006 Naruki D14/203.3
 D541,272 S * 4/2007 Wang D14/356
 D545,696 S * 7/2007 Dornier D10/32
 D545,697 S * 7/2007 Martin D10/38
 D559,125 S * 1/2008 Figueiredo D10/38
 D559,126 S * 1/2008 Avranches D10/38
 D559,127 S * 1/2008 Bolt D10/39
 D578,410 S * 10/2008 Scarinzi D10/38
 D578,900 S * 10/2008 Nisembaum D10/32
 D580,795 S * 11/2008 Lalo D10/32
 7,556,384 B2 * 7/2009 Chan A45D 42/18
 353/122
 D606,656 S * 12/2009 Kobayashi D24/167
 D608,662 S * 1/2010 Clerc D10/38
 D610,922 S * 3/2010 Lammers-Meis D10/31
 D624,441 S * 9/2010 Jarvis D10/38
 D626,018 S * 10/2010 Yan D10/38
 D631,761 S * 2/2011 Barbier D10/32
 D636,685 S * 4/2011 Avranches D10/38
 D645,371 S * 9/2011 Ueda D10/98
 D662,921 S * 7/2012 Clements D14/243
 D664,866 S * 8/2012 Chiang D10/38
 D664,868 S * 8/2012 Armstrong D10/38
 D665,277 S * 8/2012 Chiang D10/38
 D667,412 S * 9/2012 Wang D14/248
 D669,797 S * 10/2012 Kau D10/38
 D670,577 S * 11/2012 Armstrong D10/38
 D671,845 S * 12/2012 Armstrong D10/38
 D673,464 S * 1/2013 Perko D10/38

D678,270 S * 3/2013 Song D14/341
 D680,890 S * 4/2013 Ueda D10/98
 D706,738 S * 6/2014 Kim D14/138 G
 D709,476 S * 7/2014 Park D10/32
 D715,279 S * 10/2014 Lee D14/248
 D715,280 S * 10/2014 Lee D14/248
 D718,265 S * 11/2014 Lee D14/138 G
 D718,732 S * 12/2014 Lee D14/138 G
 D720,339 S * 12/2014 Kim D14/248
 D720,340 S * 12/2014 Kim D14/248
 D725,071 S * 3/2015 Lee D14/138 R
 D725,072 S * 3/2015 Kim D10/38
 D726,673 S * 4/2015 Lee D14/138 G
 D730,209 S * 5/2015 Wolos D10/70
 D736,767 S * 8/2015 Lee D14/344
 9,118,750 B2 * 8/2015 Vossoughi B60R 11/02
 D740,695 S * 10/2015 Waecker D10/38
 D744,468 S * 12/2015 Lee D14/248
 D744,990 S * 12/2015 Lee D14/138 G
 D749,072 S * 2/2016 Ji D10/38
 D749,569 S * 2/2016 Ji D10/38
 D752,046 S * 3/2016 Jun D14/344
 D757,723 S * 5/2016 Kwak D14/345
 D768,105 S * 10/2016 Kim D14/138 G
 D770,998 S * 11/2016 Kwak D14/138 AB
 D775,597 S * 1/2017 Kim D14/138 G
 D775,600 S * 1/2017 Kim D14/138 G
 D776,075 S * 1/2017 Kim D14/138 G
 D779,447 S * 2/2017 Kwak D14/138 AB
 D779,976 S * 2/2017 Galli D10/38
 D780,177 S * 2/2017 Heck D14/344
 D784,972 S * 4/2017 Kim D14/248
 9,612,617 B1 * 4/2017 Jaulerry G06F 1/163
 D786,228 S * 5/2017 Kim D14/248
 D794,631 S * 8/2017 Solomon D10/38
 2004/0008191 A1 * 1/2004 Poupyrev G06F 3/011
 345/184
 2013/0002133 A1 * 1/2013 Jin H01L 51/524
 313/511
 2013/0300697 A1 * 11/2013 Kim G06F 1/1626
 345/173
 2014/0267091 A1 * 9/2014 Kim G06F 1/1652
 345/173

OTHER PUBLICATIONS

XS-4 Smartwatch, XS-4: the ultimate Sport Watch! It's a Smart Watch, it's a GPS, it's a Phone and more!, posted Apr. 22, 2014, [retrieved Jun. 26, 2017]. Retrieved from Internet, <URL: [>.*](https://www.indiegogo.com/projects/xs-4-smartwatch#/)
 M18C Wristband IP56 Waterproof Wrist Smart Watch—Round Dial Type Silver, posted Jul. 6, 2016, [retrieved Jun. 26, 2017]. Retrieved from Internet, <URL: [>.*](http://www.gearbest.com/smart-watches/pp_351091.html)
 Ali, "Lumia Mark II Smartwatch Concept", Jul. 3, 2014, <http://geekongadgets.com/2014/07/03/lumia-mark-ii-smartwatch-concept/> (Last accessed Oct. 11, 2016).

* cited by examiner

FIG. 1

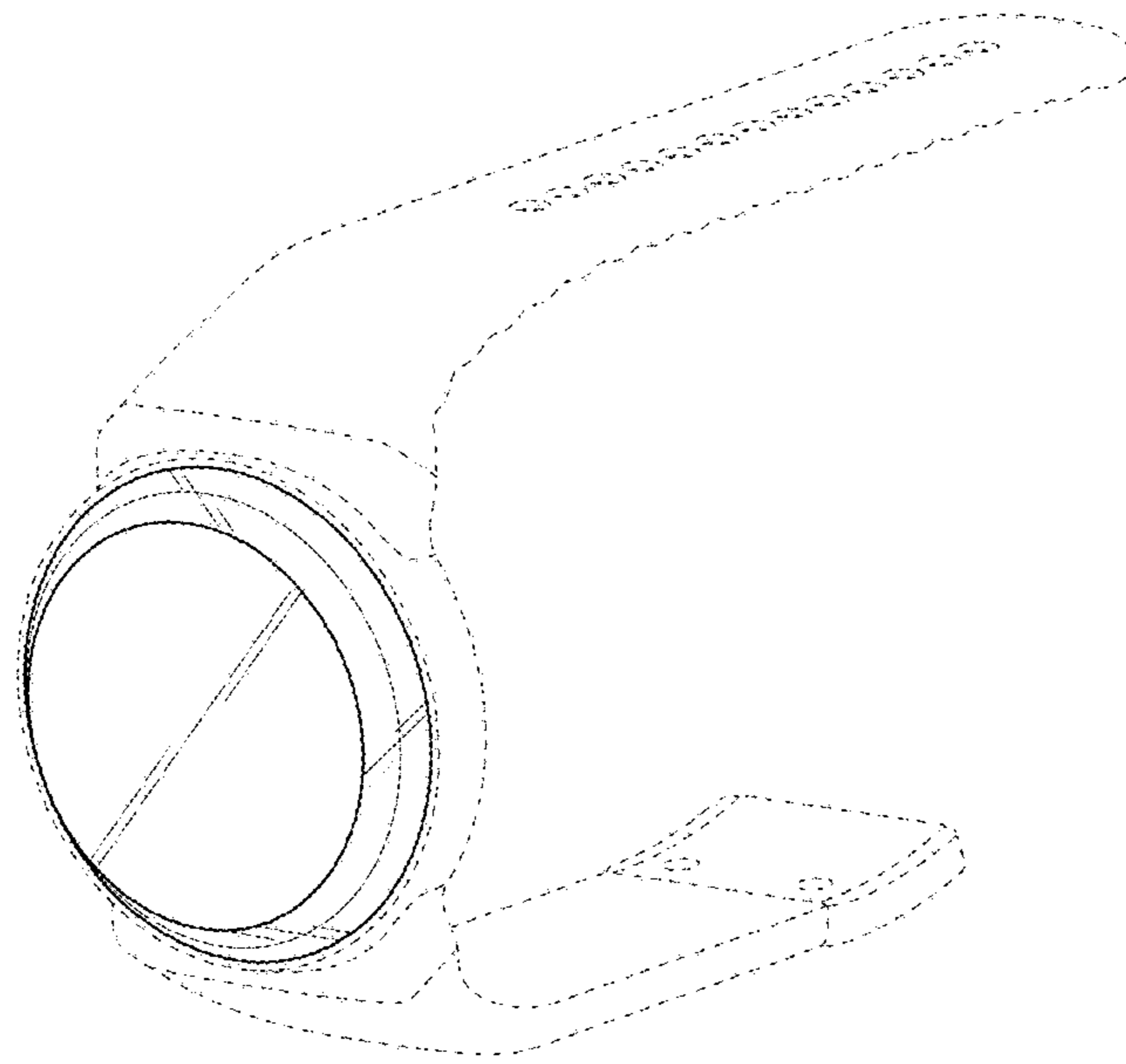


FIG.2

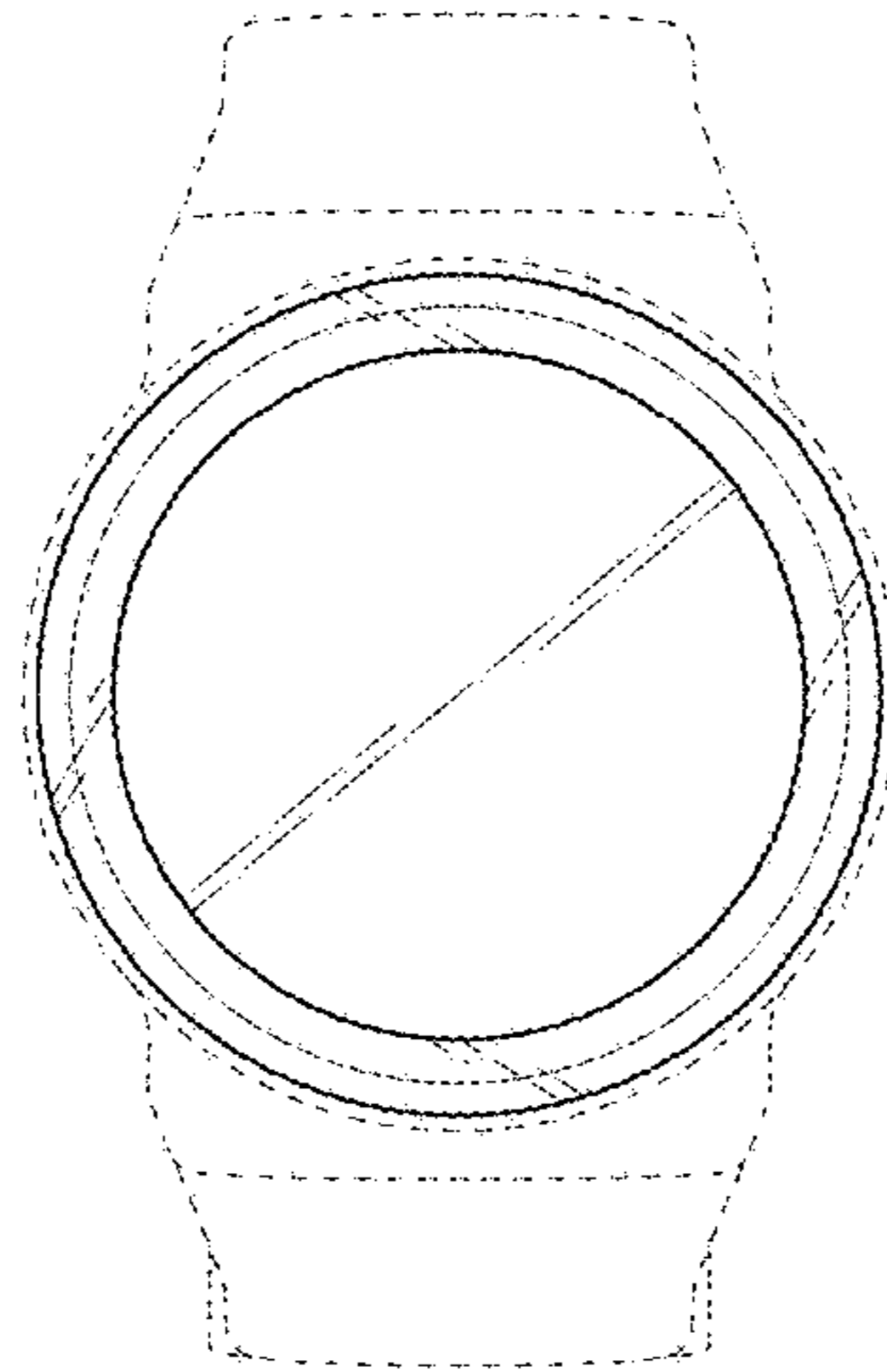


FIG.3

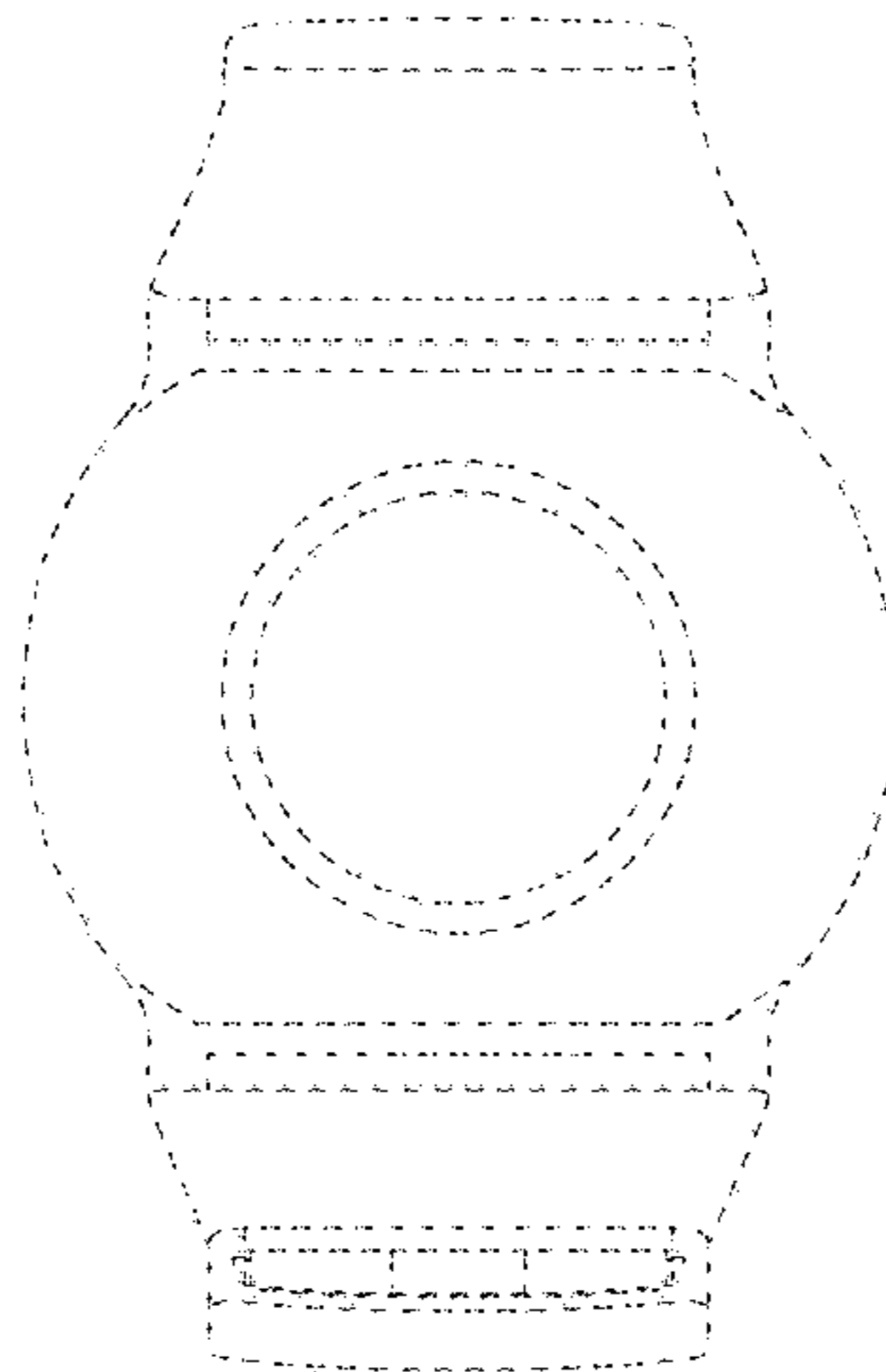


FIG.4

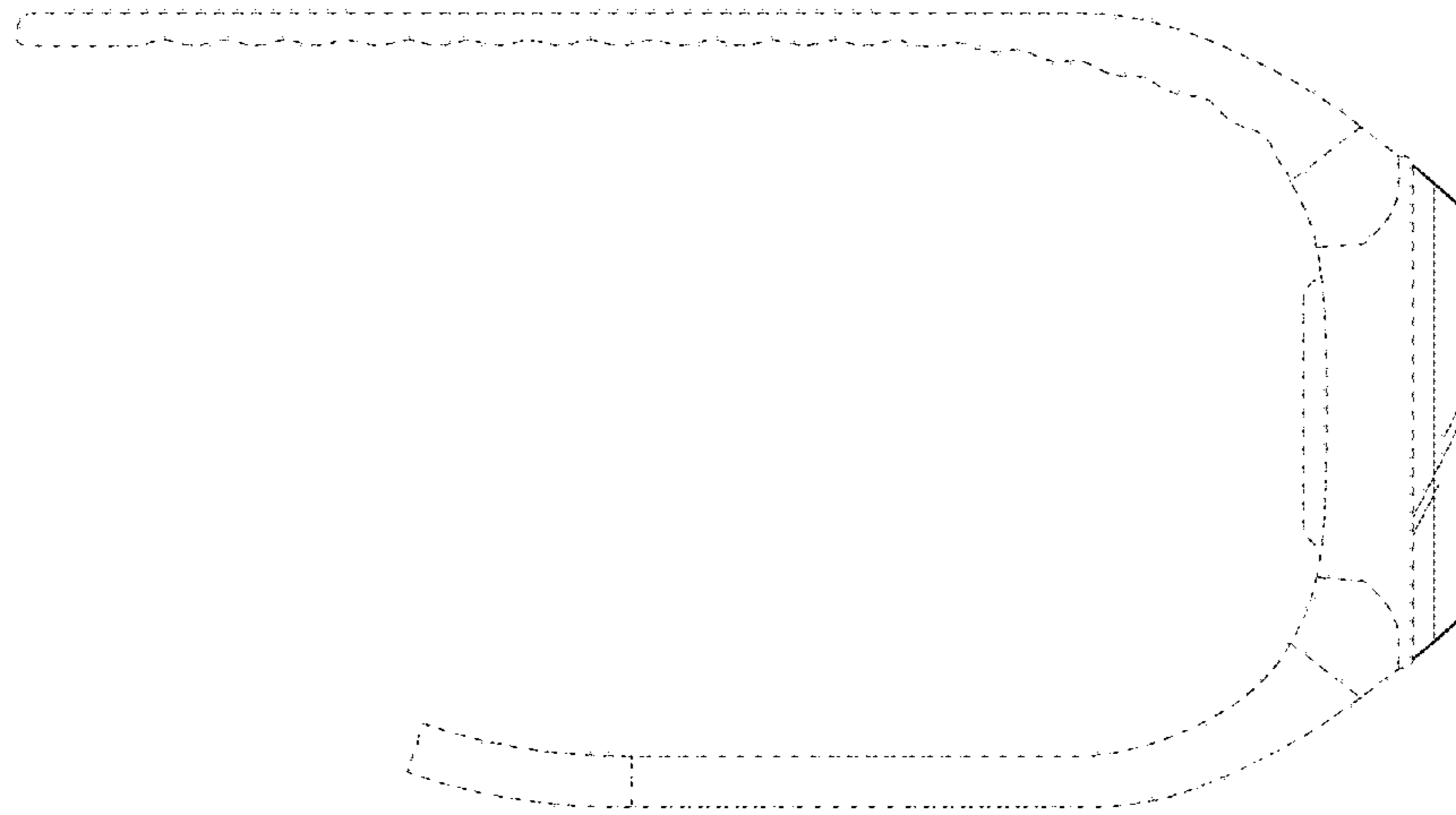


FIG.5

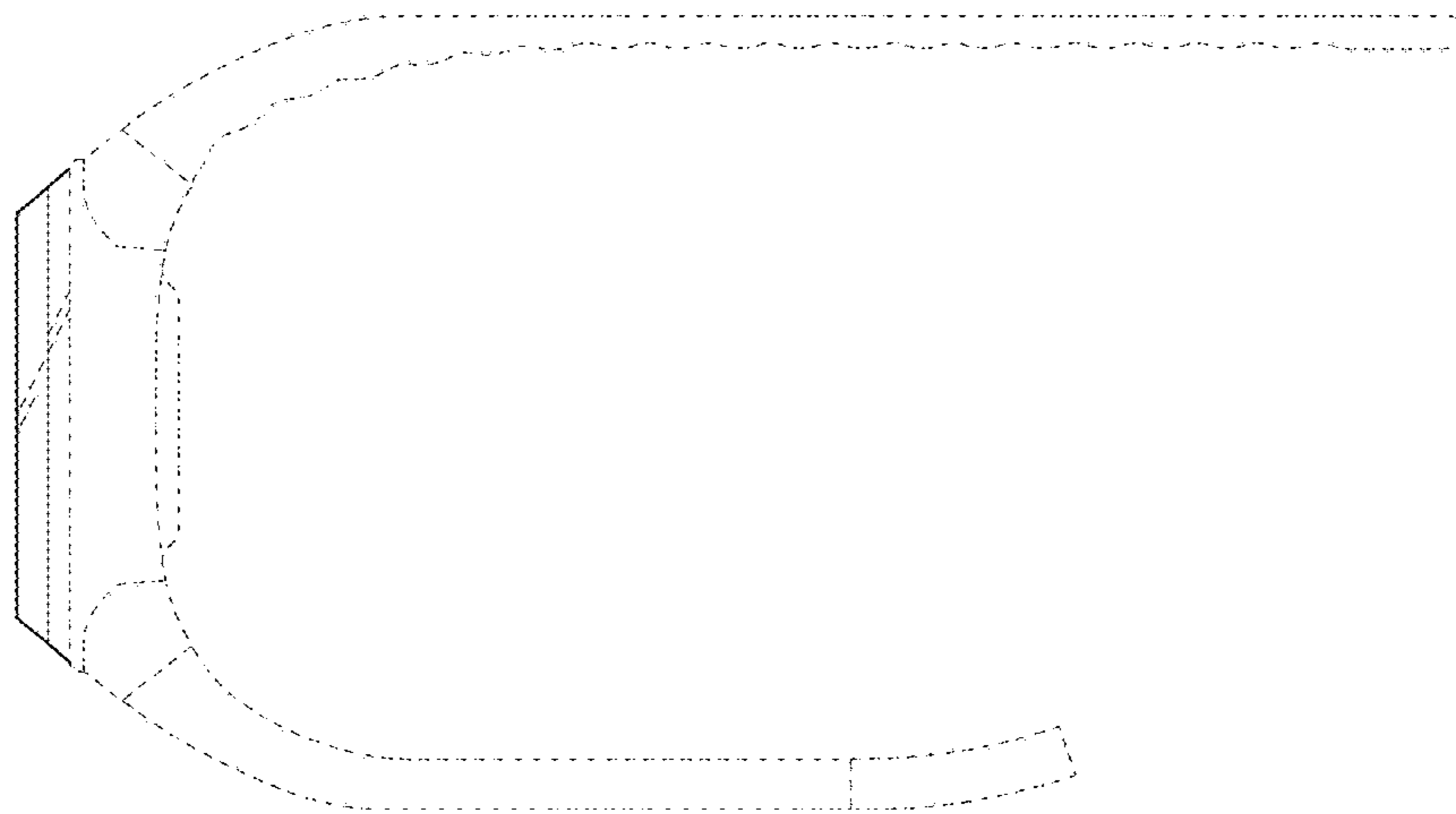


FIG. 6

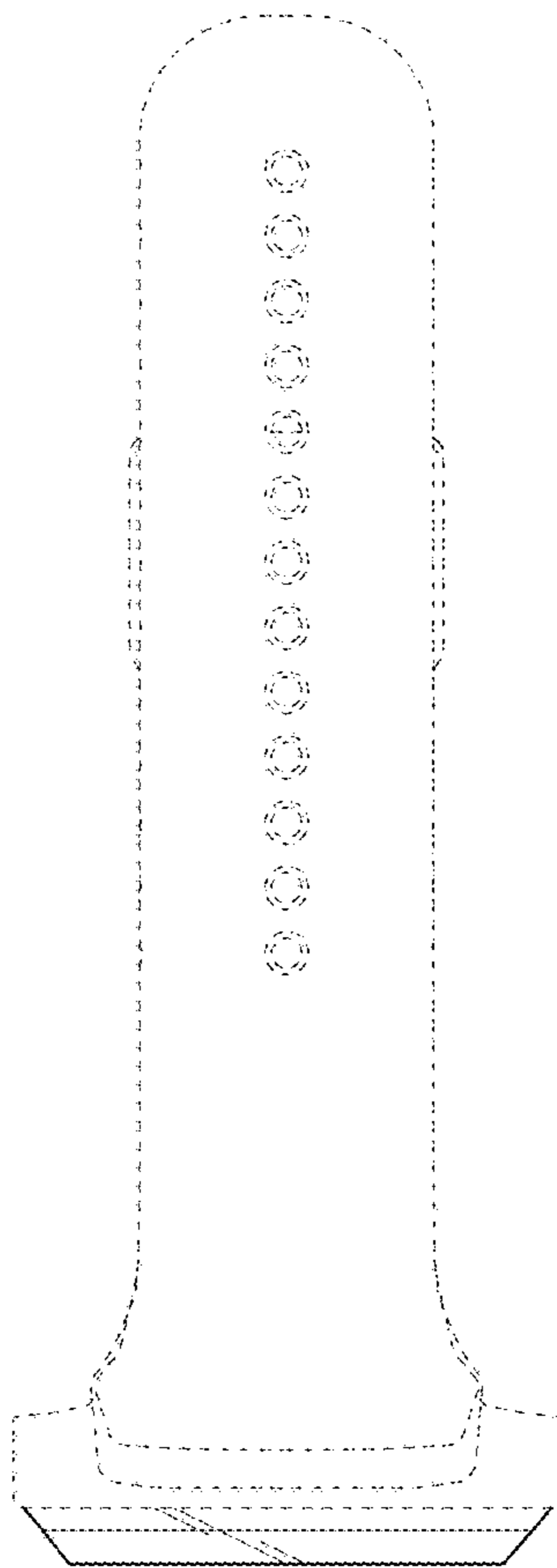


FIG. 7

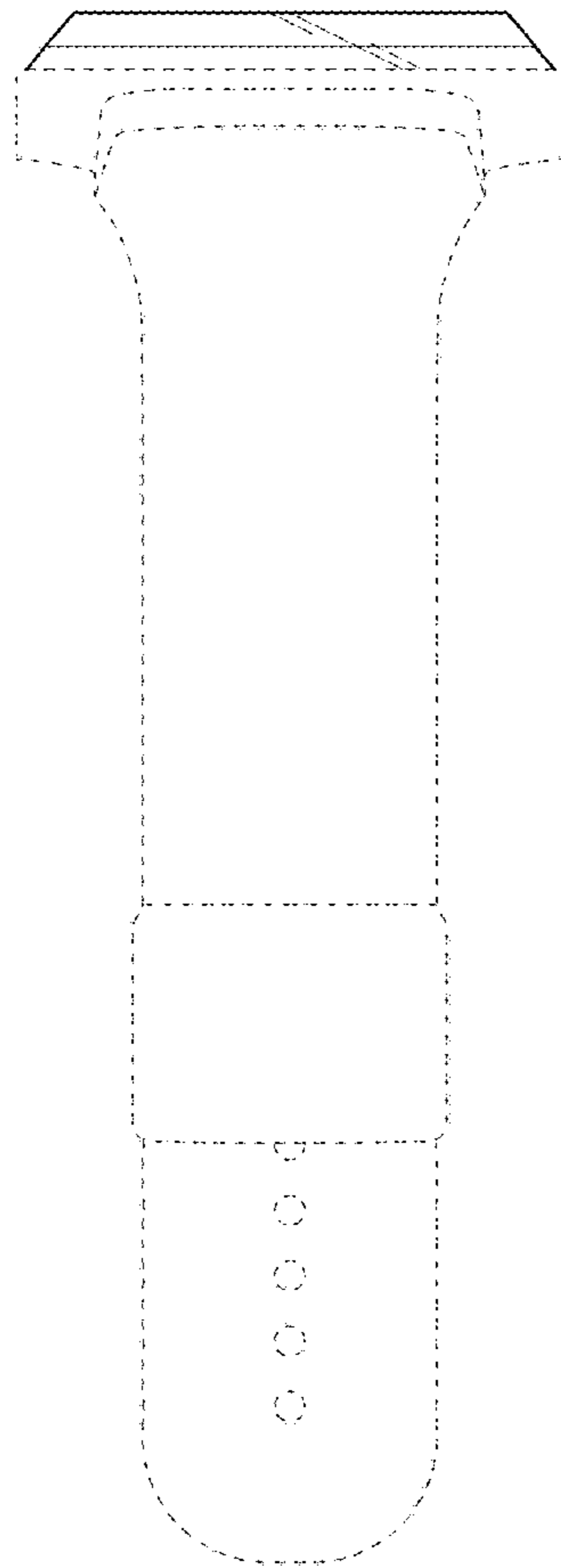


FIG. 8

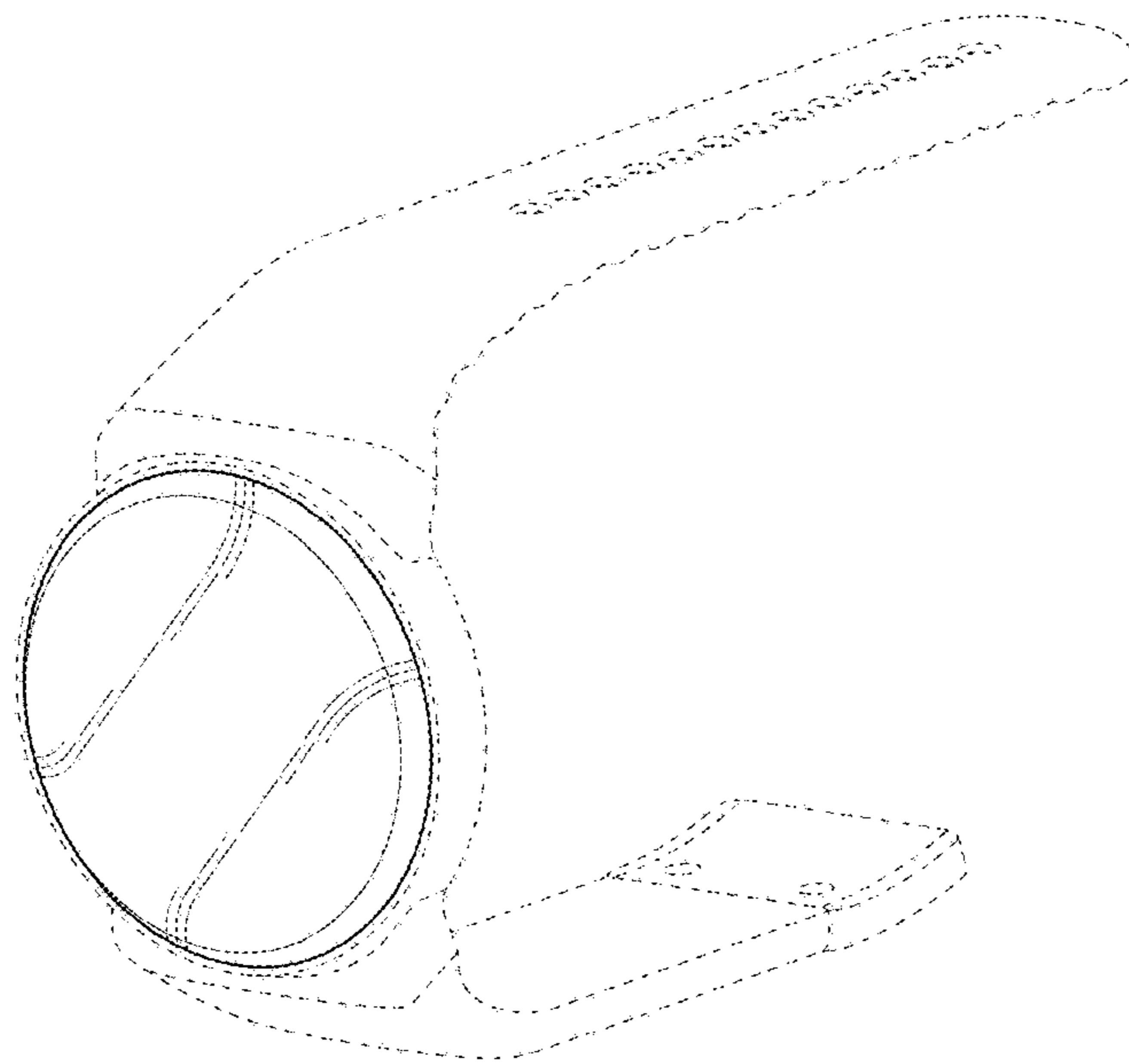


FIG.9

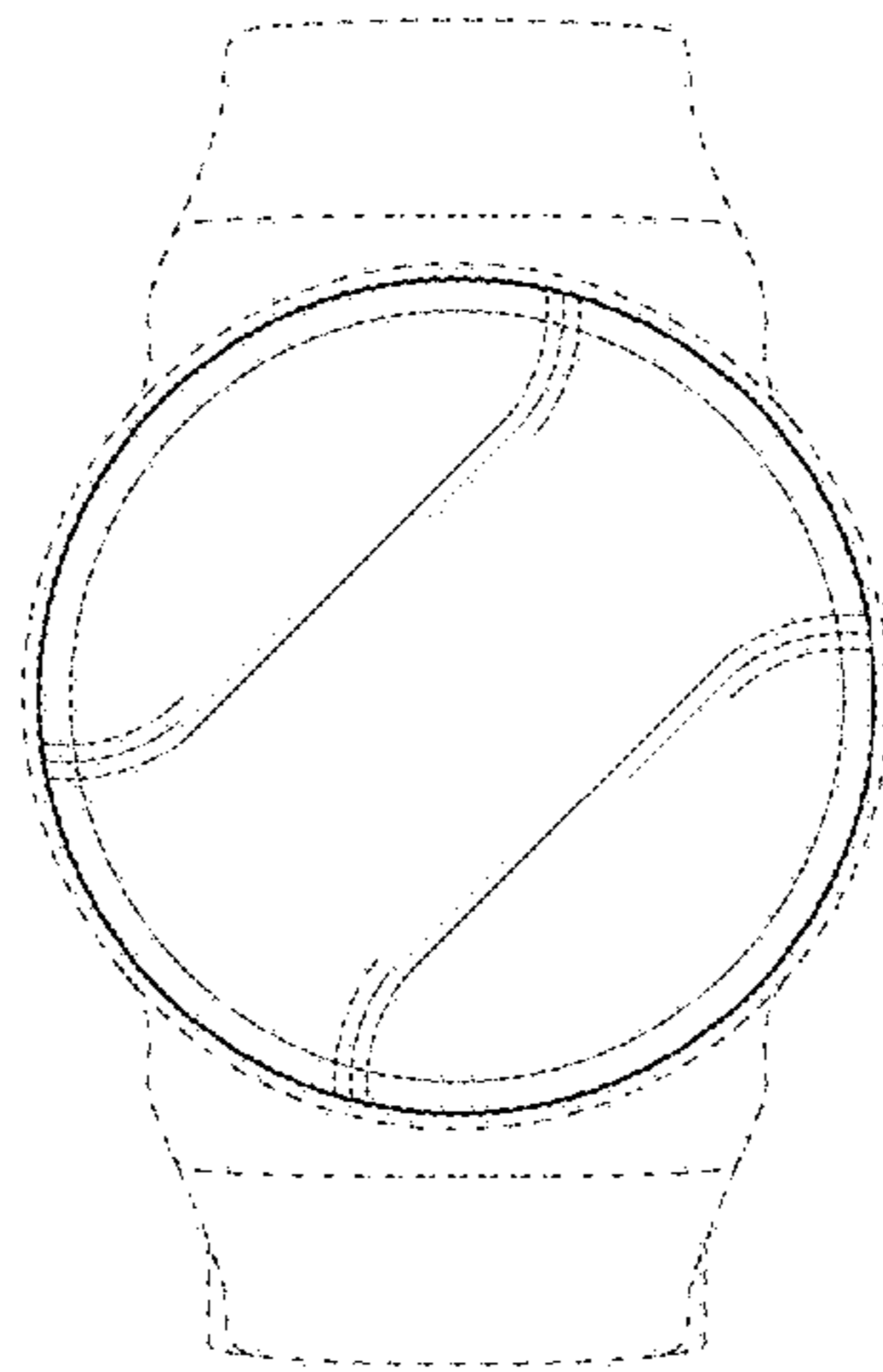


FIG.10

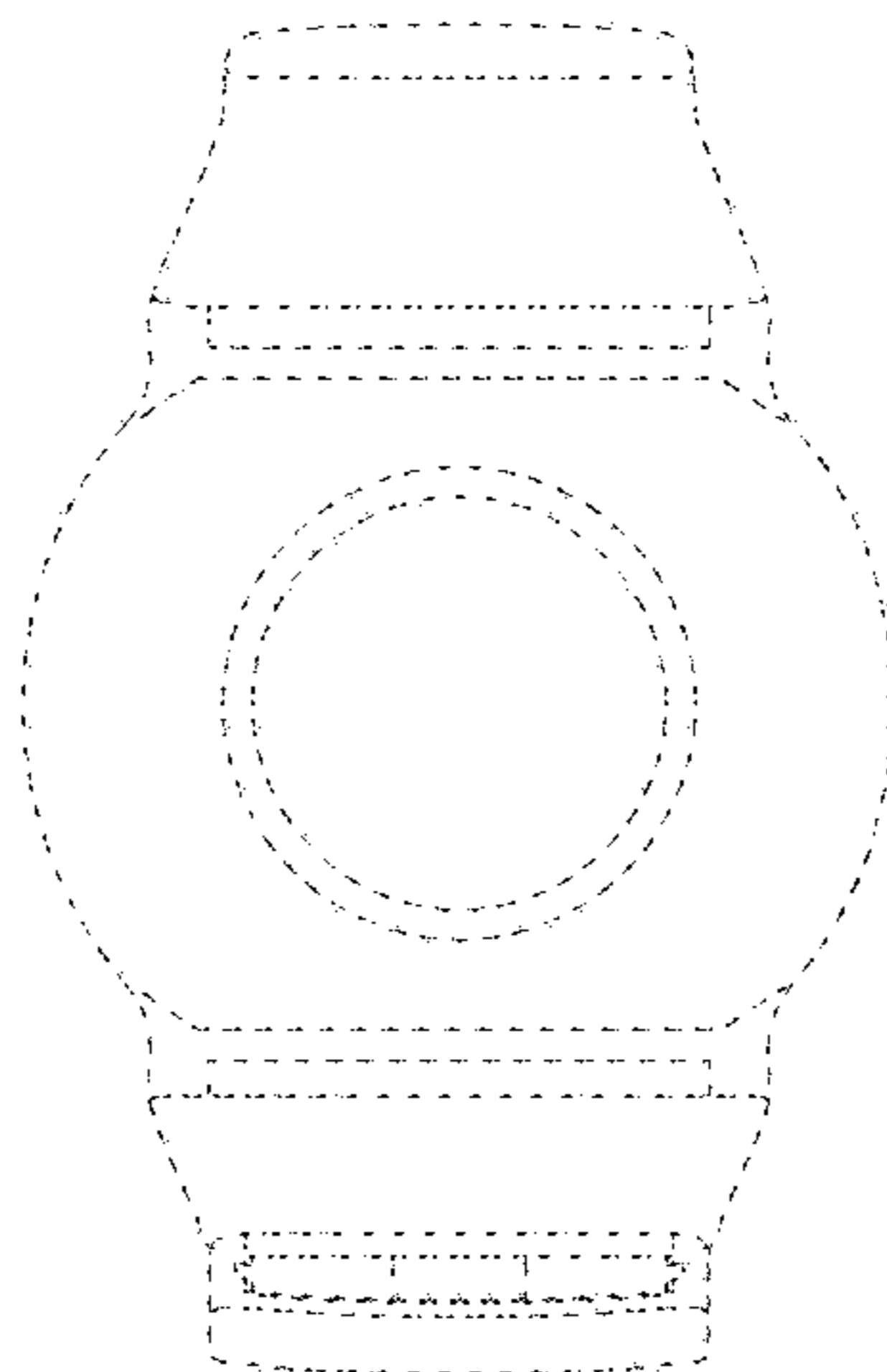


FIG. 11

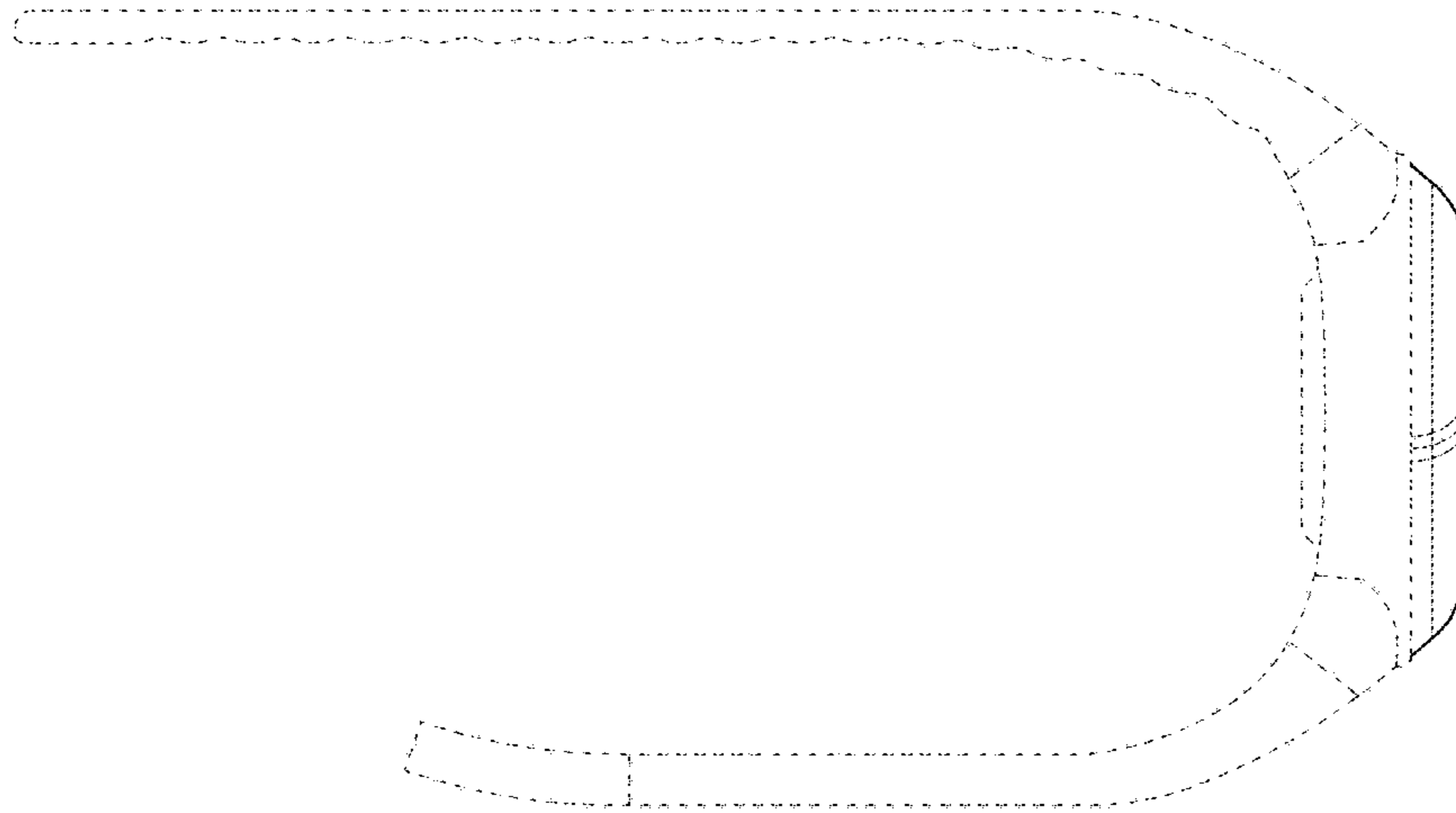


FIG. 12

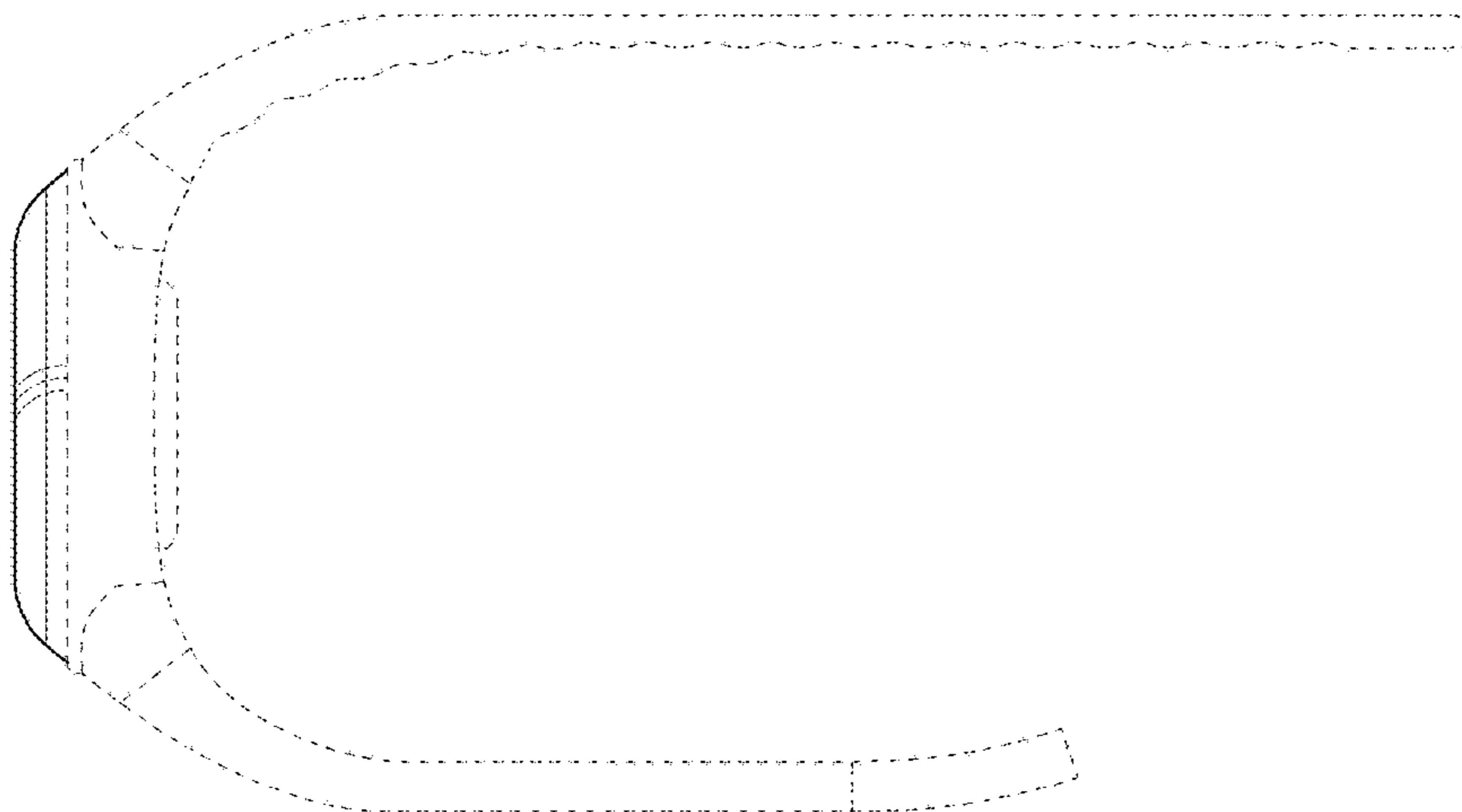


FIG.13

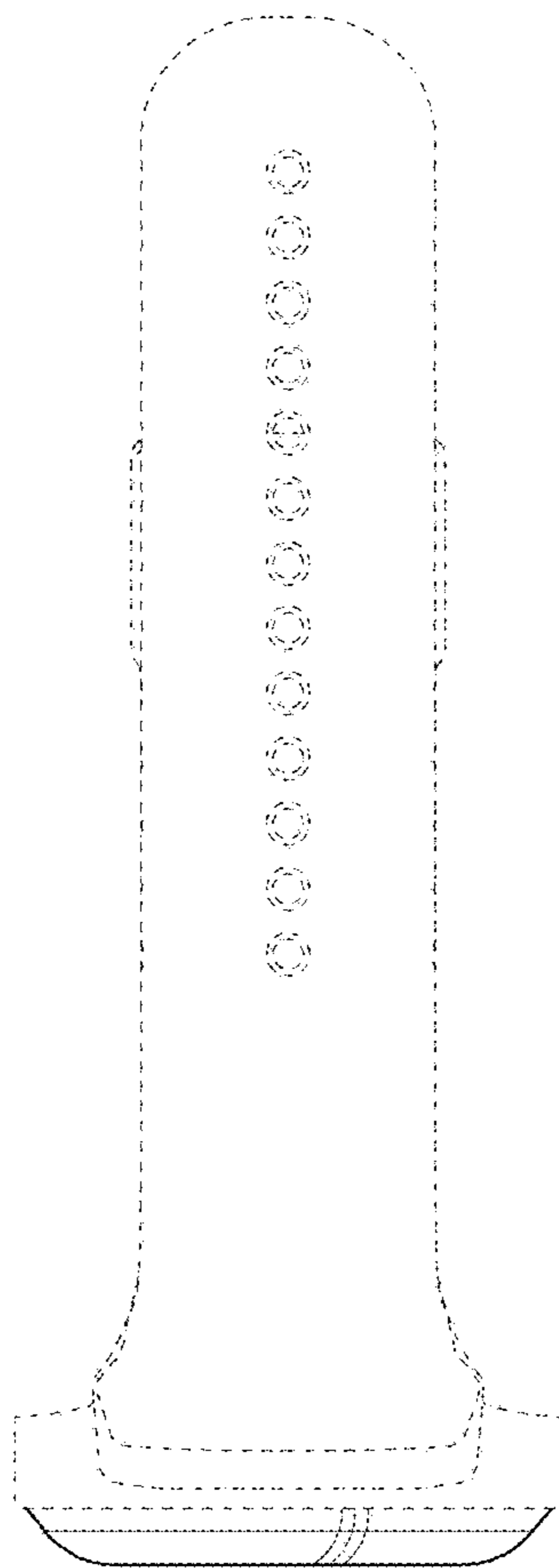


FIG. 14

