

US00D868055S

(12) **United States Design Patent** (10) **Patent No.:** **US D868,055 S**  
**Benic** (45) **Date of Patent:** **\*\* Nov. 26, 2019**

(54) **PREAMBLE**

(71) Applicant: **Ink Labs, Inc.**, Lincoln, NE (US)

(72) Inventor: **Denis Benic**, Lincoln, NE (US)

(73) Assignee: **Ink Labs, Inc.**, Lincoln, NE (US)

(\*\*) Term: **15 Years**

(21) Appl. No.: **29/624,001**

(22) Filed: **Oct. 29, 2017**

(51) **LOC (12) Cl.** ..... **14-02**

(52) **U.S. Cl.**  
USPC ..... **D14/307**

(58) **Field of Classification Search**

USPC ..... D14/300–307, 336, 356, 357, 420, 900,  
D14/901, 902, 129, 371, 374, 375, 376,  
D14/385; D13/162, 162.1, 163; D20/10,  
D20/19, 41; D21/332, 325, 369, 370;  
D6/673, 681, 681.1; D18/4.4, 4.5, 4.6,  
D18/36, 38, 39, 53; D24/107, 185, 186;  
D10/46.1

CPC ..... G07F 17/00; G07F 17/26; G07F 17/266;  
G07F 7/088; G07F 7/0886; G07F 7/0893;  
G07G 1/00; G07G 1/00093; G07G  
1/0018; G06Q 20/18; G06Q 20/20

See application file for complete search history.

(56) **References Cited**

**U.S. PATENT DOCUMENTS**

D188,855 S \* 9/1960 Reineman et al. .... D10/46.1  
D190,659 S \* 6/1961 Lipitsky ..... 473/54  
D216,937 S \* 3/1970 Chamlee ..... D20/41  
D256,127 S \* 7/1980 Overman ..... D18/36  
D266,669 S \* 10/1982 Sawada ..... D18/4.6  
D273,112 S \* 3/1984 Sliwkowski ..... D14/306  
D275,970 S \* 10/1984 Bowers ..... D20/41  
D279,566 S \* 7/1985 Case ..... D18/4.4

D281,254 S \* 11/1985 Akiyama ..... D18/4.6  
D287,591 S \* 1/1987 Kaplan ..... D14/387  
D289,649 S \* 5/1987 Jablonski ..... D14/307  
D294,701 S \* 3/1988 Horii ..... D14/126  
D305,647 S \* 1/1990 Kato ..... D14/374  
D306,719 S \* 3/1990 Austin ..... D18/4.6  
D310,352 S \* 9/1990 Kato ..... D18/4.5  
D311,393 S \* 10/1990 Weaver ..... D14/420  
D359,952 S \* 7/1995 Cox ..... D18/4.5  
D363,467 S \* 10/1995 Takahashi ..... D14/129  
D368,293 S \* 3/1996 Barrett ..... D10/46.1  
D377,784 S \* 2/1997 Wilson ..... D10/93  
D378,082 S \* 2/1997 Wilson ..... D10/93  
D378,534 S \* 3/1997 Kato ..... D14/371  
D386,173 S \* 11/1997 Scibora ..... D14/420  
D390,225 S \* 2/1998 Bowden ..... D14/144  
D399,493 S \* 10/1998 Nakajima ..... D13/163  
5,852,977 A \* 12/1998 Lynch ..... G07F 17/26  
101/232  
D409,170 S \* 5/1999 Ota ..... D13/107  
D410,448 S \* 6/1999 Honaker ..... D14/371  
D415,330 S \* 10/1999 King ..... D14/900  
D416,208 S \* 11/1999 Arney ..... D10/46.1  
D417,440 S \* 12/1999 Wilson ..... D10/93

(Continued)

*Primary Examiner* — Marie D. Fast Horse

(74) *Attorney, Agent, or Firm* — Rimon PC

(57) **CLAIM**

The ornamental design for a preamble, as shown.

**DESCRIPTION**

FIG. 1 is a perspective view of a preamble showing the claimed design;

FIG. 2 is a front view thereof;

FIG. 3 is a back view thereof;

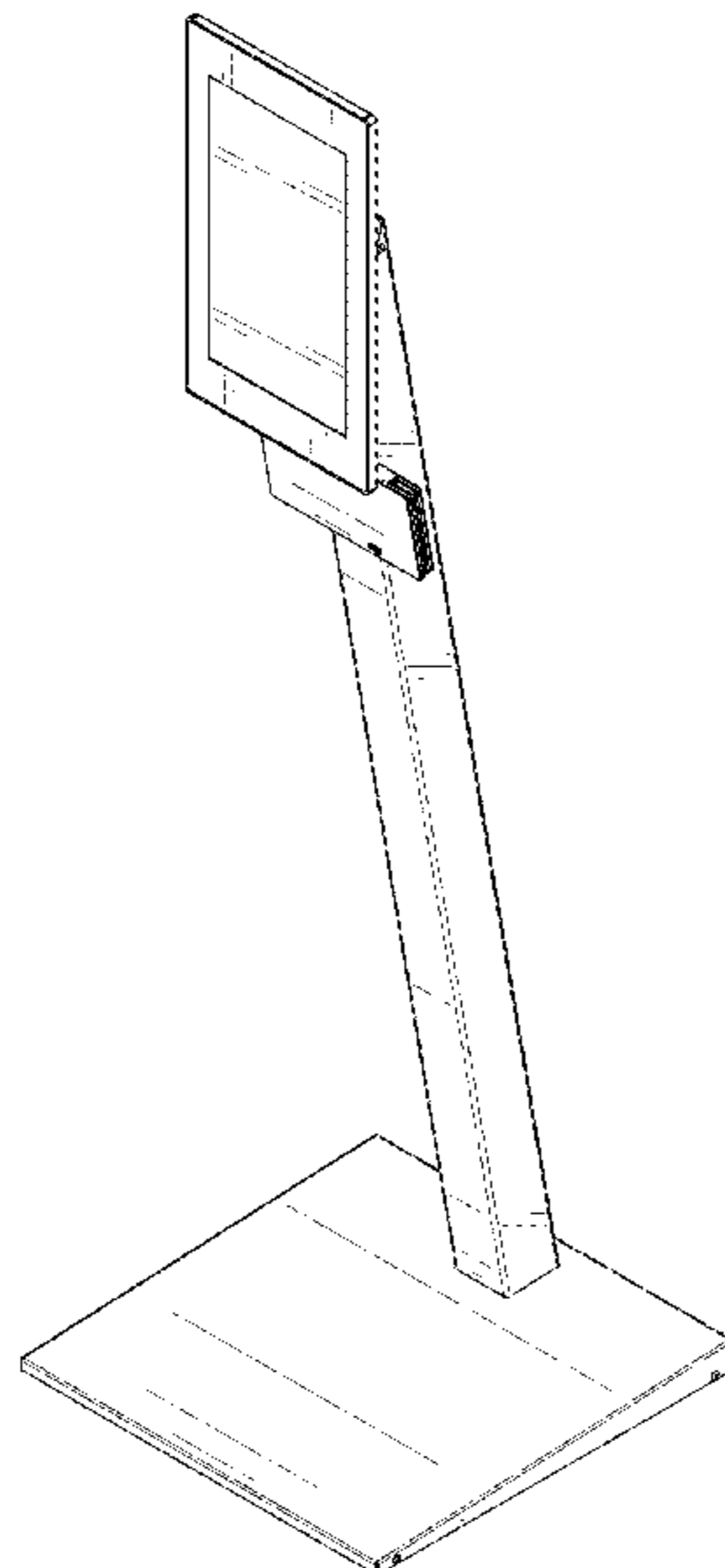
FIG. 4 is a side view thereof;

FIG. 5 is another side view thereof;

FIG. 6 is a top view thereof; and,

FIG. 7 is a bottom view thereof.

**1 Claim, 7 Drawing Sheets**



(56)

References Cited

U.S. PATENT DOCUMENTS

|           |      |         |             |       |            |              |      |         |                 |       |              |
|-----------|------|---------|-------------|-------|------------|--------------|------|---------|-----------------|-------|--------------|
| D417,893  | S *  | 12/1999 | Hunter      | ..... | D14/900    | D695,285     | S *  | 12/2013 | Smith           | ..... | D14/307      |
| D428,047  | S *  | 7/2000  | Kolls       | ..... | D18/4.6    | D695,735     | S *  | 12/2013 | Kitchen         | ..... | D14/341      |
| D428,415  | S *  | 7/2000  | Shibata     | ..... | D14/126    | D702,675     | S *  | 4/2014  | Jones           | ..... | D14/307      |
| D442,560  | S *  | 5/2001  | Price       | ..... | D13/163    | D704,709     | S *  | 5/2014  | Bussoli         | ..... | D14/128      |
| D453,512  | S *  | 2/2002  | Campagna    | ..... | D14/385    | D716,372     | S *  | 10/2014 | Lee             | ..... | D18/4.4      |
| D473,554  | S *  | 4/2003  | Landerholm  | ..... | D14/302    | D717,785     | S *  | 11/2014 | Winston         | ..... | D14/307      |
| D477,838  | S *  | 7/2003  | Huang       | ..... | D18/39     | D721,696     | S *  | 1/2015  | Birgeoglu       | ..... | D14/307      |
| D480,731  | S *  | 10/2003 | Becker      | ..... | D14/302    | D722,313     | S *  | 2/2015  | Birgeoglu       | ..... | D14/307      |
| D483,379  | S *  | 12/2003 | Becker      | ..... | D14/302    | D723,025     | S *  | 2/2015  | Birgeoglu       | ..... | D14/307      |
| D486,827  | S *  | 2/2004  | Detallante  | ..... | D14/420    | D723,026     | S *  | 2/2015  | Birgeoglu       | ..... | D14/307      |
| D511,160  | S *  | 11/2005 | Thompson    | ..... | D14/302    | D728,676     | S *  | 5/2015  | Reines          | ..... | D18/6        |
| D512,698  | S *  | 12/2005 | Augenbraun  | ..... | D14/129    | D740,697     | S *  | 10/2015 | Recknagel       | ..... | D10/46.1     |
| D515,523  | S *  | 2/2006  | Asanuma     | ..... | D14/126    | D751,638     | S *  | 3/2016  | Chung           | ..... | D18/53       |
| D517,549  | S *  | 3/2006  | Depay       | ..... | D14/375    | D752,142     | S *  | 3/2016  | Chung           | ..... | D18/53       |
| D520,470  | S *  | 5/2006  | Lin         | ..... | D14/126    | D763,247     | S *  | 8/2016  | Yepez           | ..... | D14/307      |
| D537,079  | S *  | 2/2007  | Park        | ..... | D14/375    | D777,722     | S *  | 1/2017  | Murphy          | ..... | D14/307      |
| D541,267  | S *  | 4/2007  | Sagen       | ..... | D14/307    | D781,279     | S *  | 3/2017  | Horn, II        | ..... | D14/307      |
| D541,278  | S *  | 4/2007  | Hsu         | ..... | D14/336    | D781,843     | S *  | 3/2017  | Horn, II        | ..... | D14/307      |
| D550,663  | S *  | 9/2007  | Olea        | ..... | D14/302    | D782,467     | S *  | 3/2017  | Bladwell        | ..... | D14/307      |
| D556,833  | S *  | 12/2007 | Maier-Hunke | ..... | D20/41     | D783,016     | S *  | 4/2017  | Matloff         | ..... | D14/307      |
| D563,404  | S *  | 3/2008  | Taniho      | ..... | D14/302    | D786,244     | S *  | 5/2017  | Mohideen        | ..... | D14/371      |
| D565,044  | S *  | 3/2008  | Witts       | ..... | D14/307    | D787,600     | S *  | 5/2017  | McCue           | ..... | D20/41       |
| D582,986  | S *  | 12/2008 | Sanchez     | ..... | D14/159    | D791,861     | S *  | 7/2017  | Battle          | ..... | D14/447      |
| D585,943  | S *  | 2/2009  | Pymm        | ..... | D20/10     | D795,242     | S *  | 8/2017  | Birgeoglu       | ..... | D14/307      |
| D587,699  | S *  | 3/2009  | Corti       | ..... | D14/307    | D795,858     | S *  | 8/2017  | Iulita          | ..... | D14/307      |
| D587,700  | S *  | 3/2009  | Corti       | ..... | D14/307    | D808,965     | S *  | 1/2018  | Bergeron-Mirsky | ..... | D14/371      |
| D594,055  | S *  | 6/2009  | Hagiwara    | ..... | D18/4.5    | D810,816     | S *  | 2/2018  | Chen            | ..... | D18/4.4      |
| D595,251  | S *  | 6/2009  | Kaneko      | ..... | D14/129    | D816,077     | S *  | 4/2018  | Benic           | ..... | D14/307      |
| D595,784  | S *  | 7/2009  | Wells       | ..... | D21/370    | D816,662     | S *  | 5/2018  | Haller          | ..... | D14/336      |
| D595,785  | S *  | 7/2009  | Wells       | ..... | D21/370    | D826,887     | S *  | 8/2018  | Kymm            | ..... | D14/126      |
| D597,764  | S *  | 8/2009  | Topcuoglu   | ..... | D20/10     | D826,922     | S *  | 8/2018  | Vaananen        | ..... | D14/307      |
| D597,975  | S *  | 8/2009  | Ohno        | ..... | D14/126    | D835,184     | S *  | 12/2018 | Sorio           | ..... | D18/4.5      |
| D598,053  | S *  | 8/2009  | Sanchez     | ..... | D14/159    | D836,098     | S *  | 12/2018 | Vaananen        | ..... | D14/307      |
| D598,917  | S *  | 8/2009  | Luber       | ..... | D14/375    | D836,099     | S *  | 12/2018 | Vaananen        | ..... | D14/307      |
| D601,146  | S *  | 9/2009  | Chueh       | ..... | D14/375    | D836,625     | S *  | 12/2018 | Szeredi         | ..... | D14/307      |
| D605,191  | S *  | 12/2009 | Kuroda      | ..... | D14/307    | D840,390     | S *  | 2/2019  | Mangeot         | ..... | D14/307      |
| D636,441  | S *  | 4/2011  | Potts       | ..... | D20/19     | D848,414     | S *  | 5/2019  | Gardens         | ..... | D14/307      |
| 7,949,567 | B2 * | 5/2011  | Lum         | ..... | G06Q 20/20 | D849,832     | S *  | 5/2019  | Baker           | ..... | D18/4.5      |
|           |      |         |             |       |            | 2005/0099653 | A1 * | 5/2005  | Kawaoka         | ..... | H04N 1/00209 |
|           |      |         |             |       |            |              |      |         |                 |       | 358/1.15     |
| D639,088  | S *  | 6/2011  | Rodgers     | ..... | D20/10     | 2006/0158152 | A1 * | 7/2006  | Taniguchi       | ..... | H02J 7/025   |
| D644,223  | S *  | 8/2011  | Maupin      | ..... | D14/371    |              |      |         |                 |       | 320/106      |
| D661,291  | S *  | 6/2012  | Renukanand  | ..... | D14/307    | 2014/0185205 | A1 * | 7/2014  | Tippmann        | ..... | G06Q 30/0641 |
| D662,992  | S *  | 7/2012  | Hernandez   | ..... | D20/19     |              |      |         |                 |       | 361/679.01   |
| D669,464  | S *  | 10/2012 | Birgeoglu   | ..... | D14/307    | 2015/0182647 | A1 * | 7/2015  | Ranta           | ..... | A61L 2/10    |
| D671,545  | S *  | 11/2012 | Guran       | ..... | D14/447    |              |      |         |                 |       | 250/338.1    |
| D686,610  | S *  | 7/2013  | Martinoli   | ..... | D14/305    | 2017/0161704 | A1 * | 6/2017  | Rimer           | ..... | A47F 9/00    |

\* cited by examiner

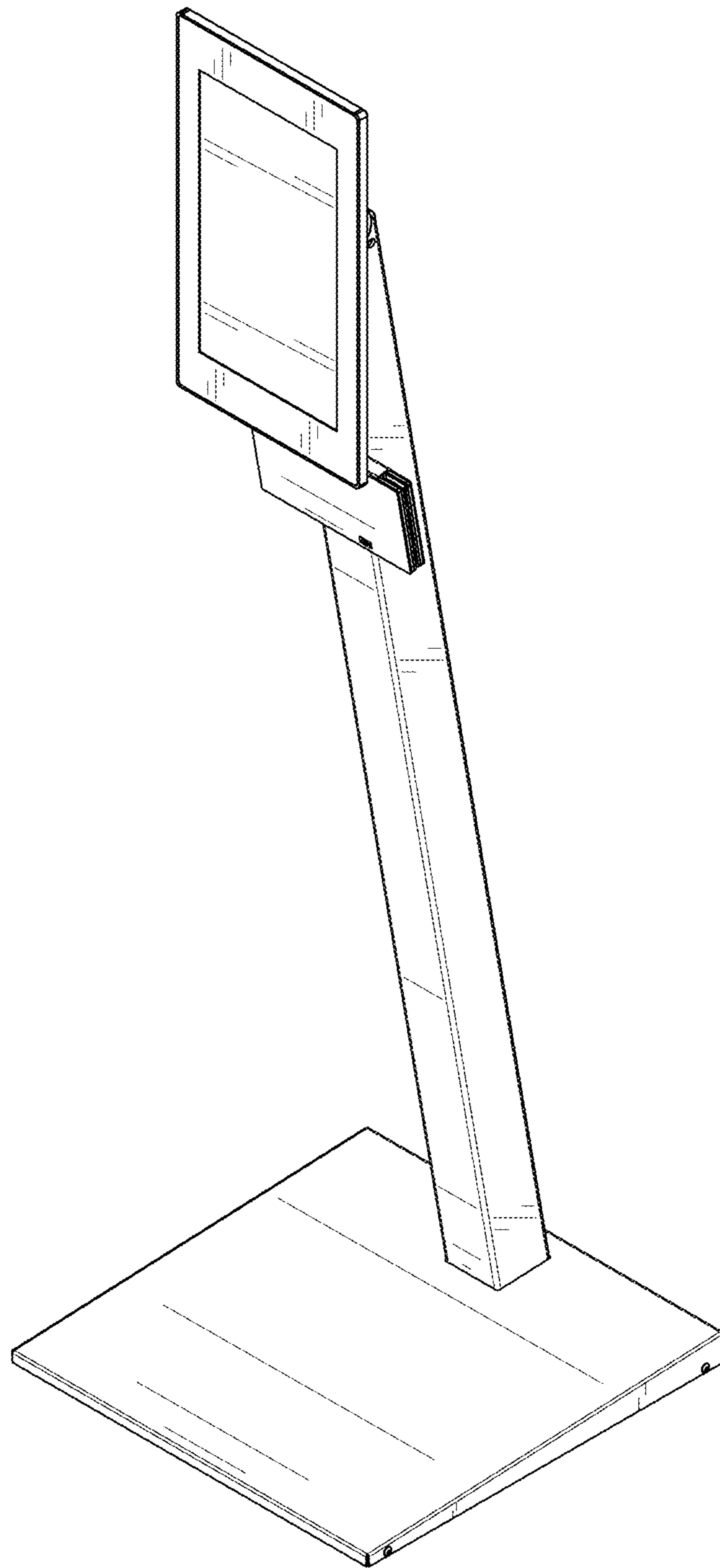


FIG. 1

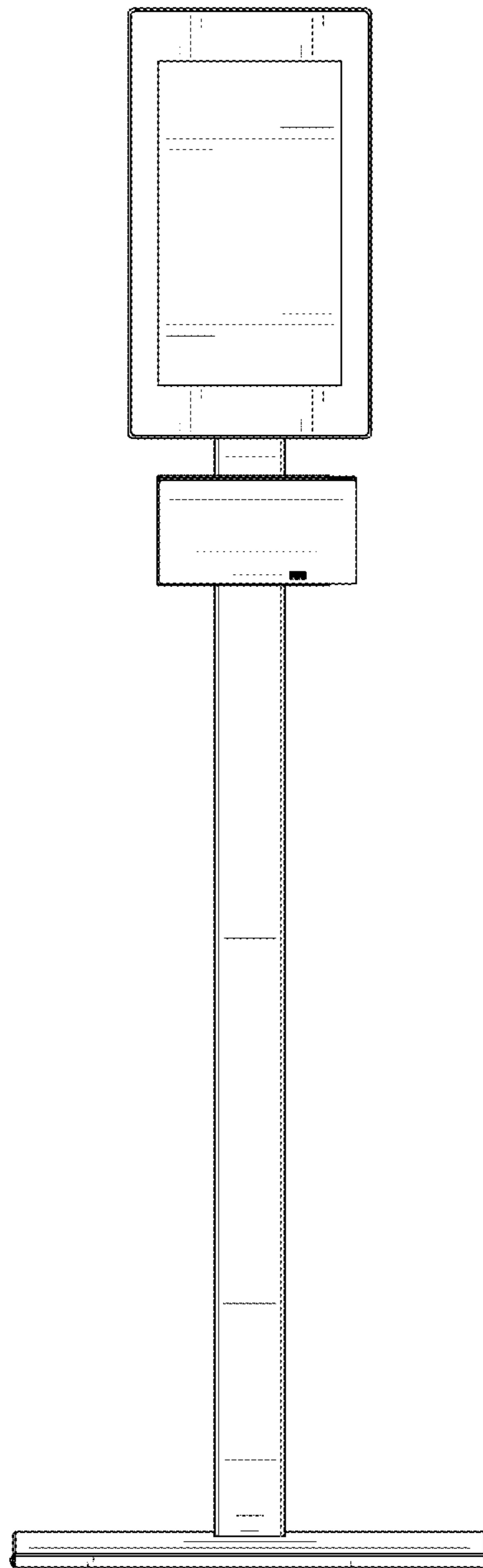


FIG. 2

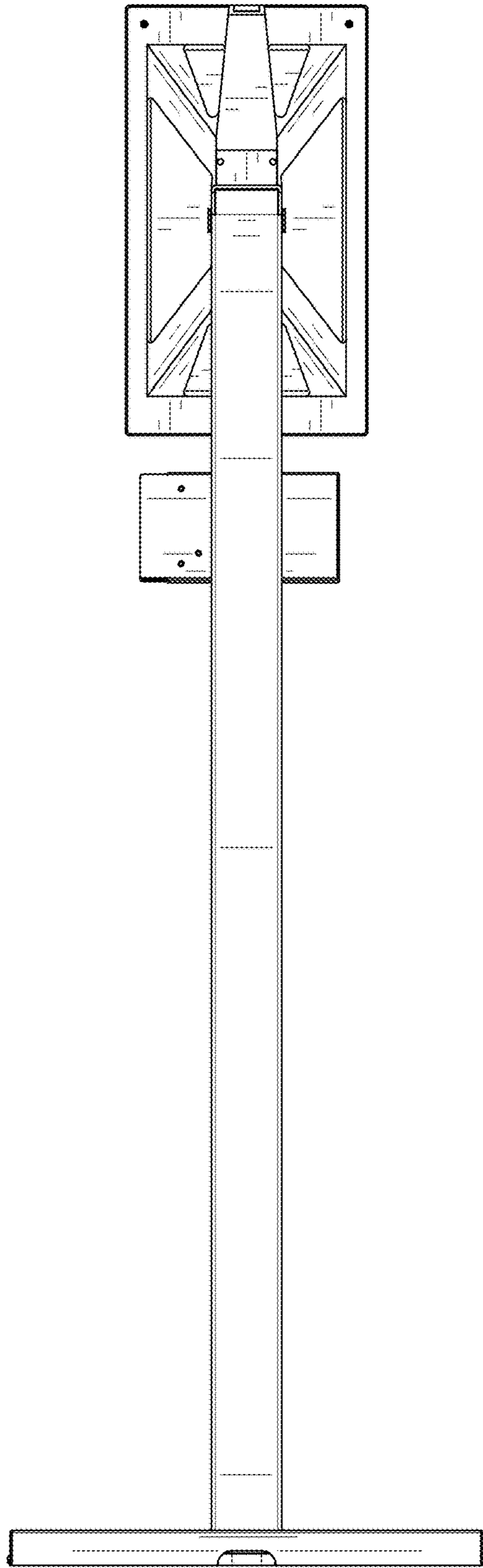


FIG. 3

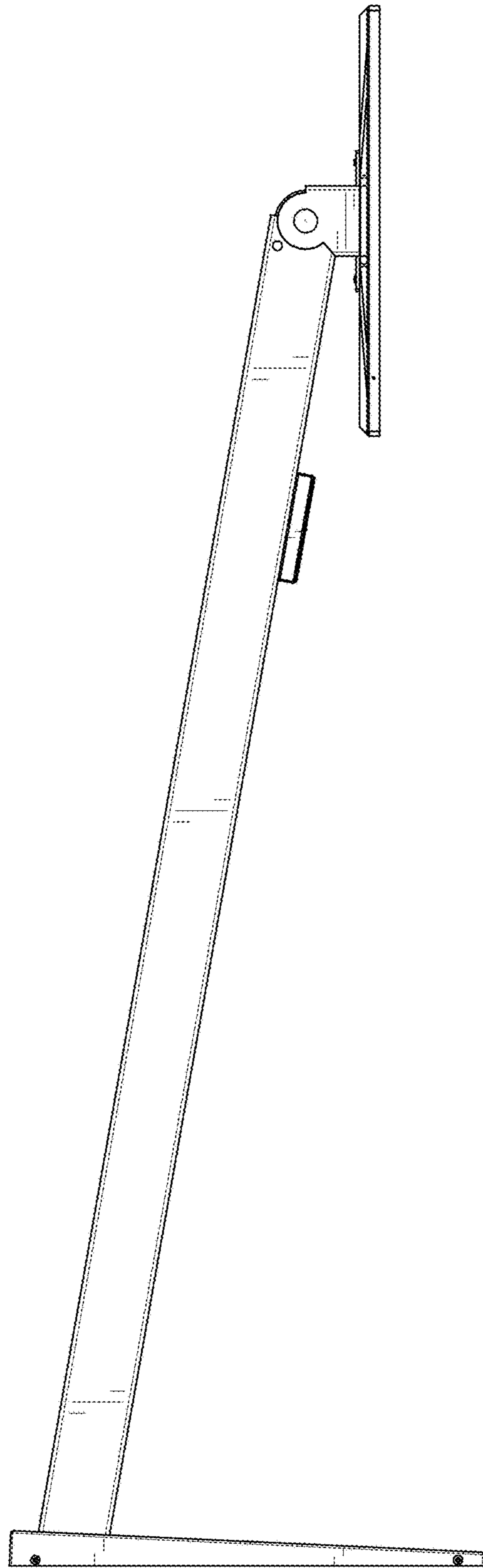


FIG. 4

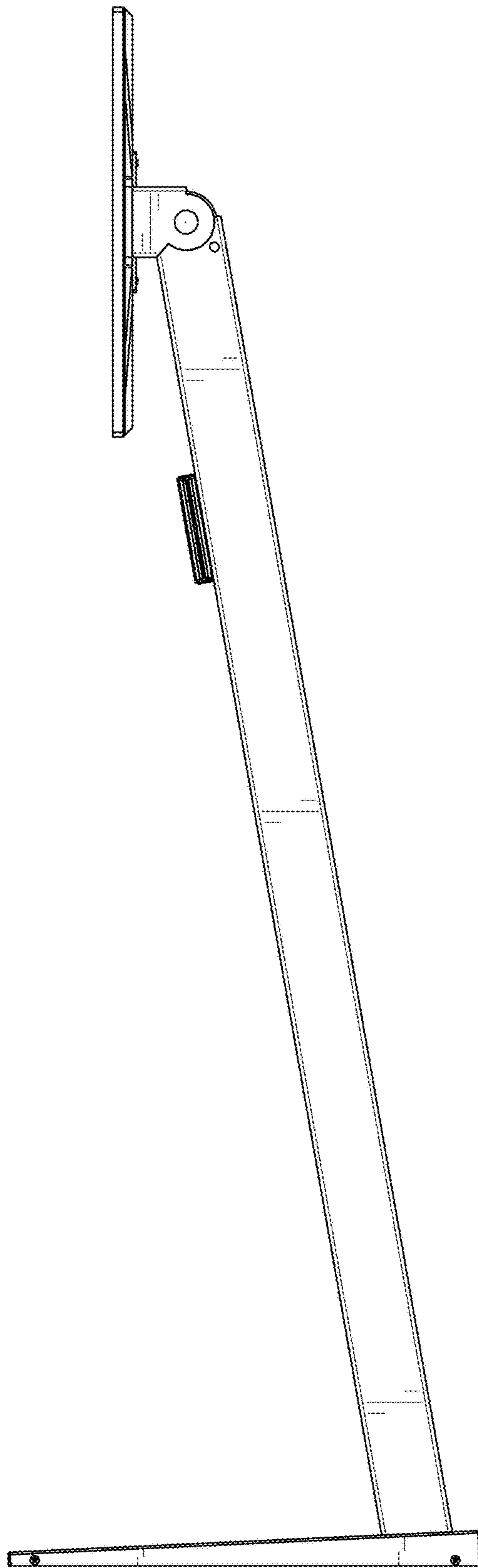


FIG. 5

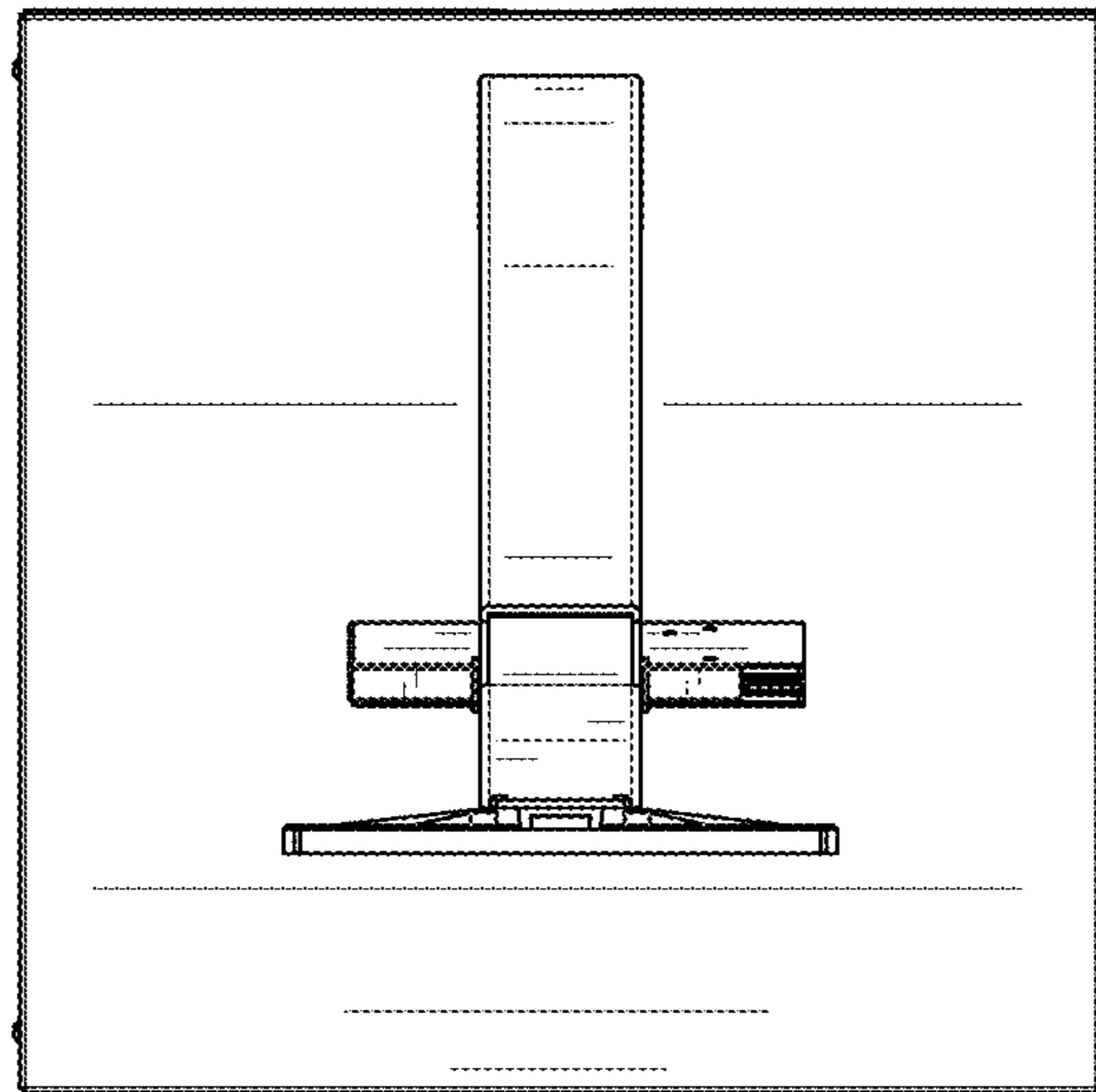


FIG. 6



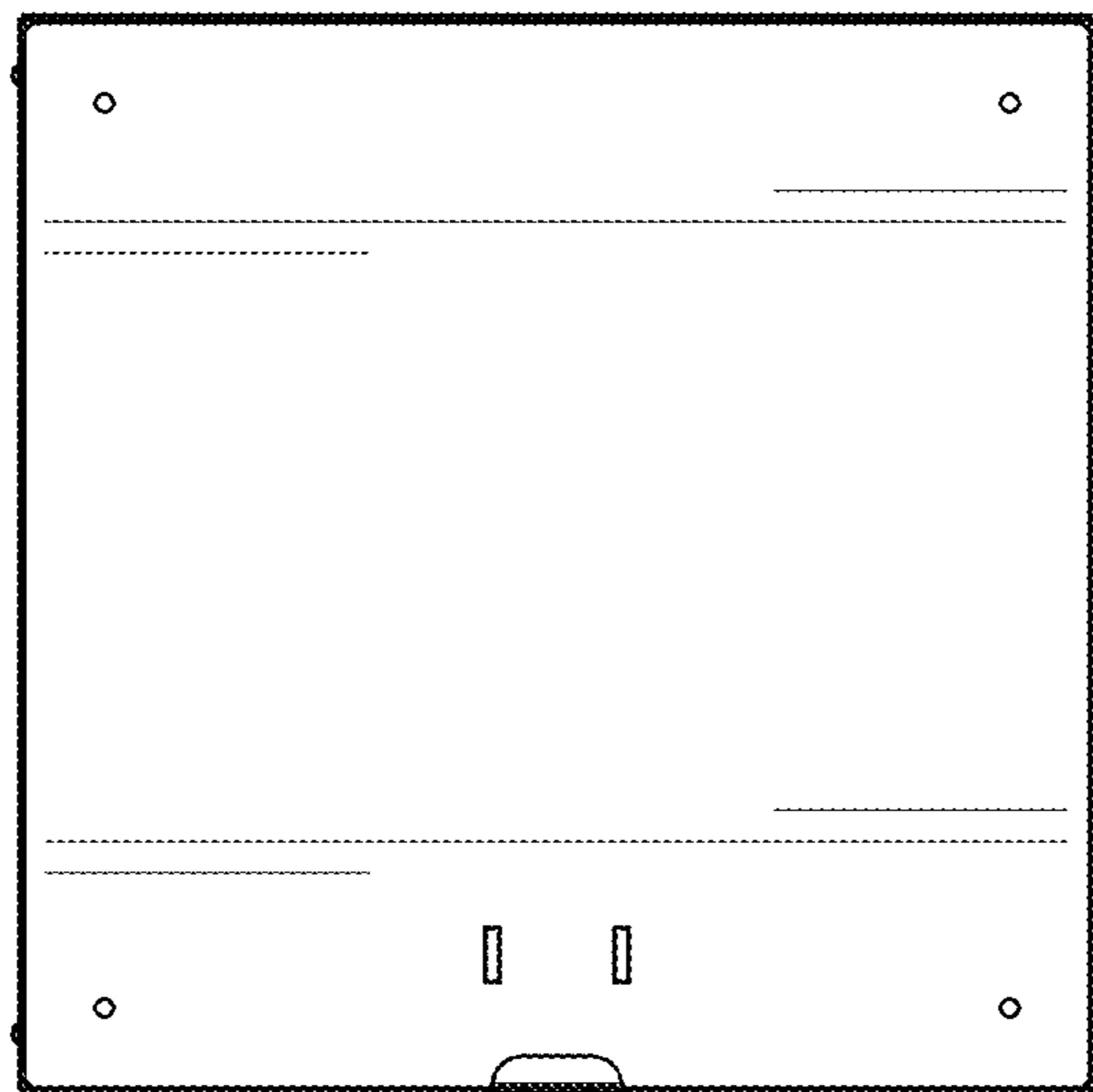


FIG. 7

UNITED STATES PATENT AND TRADEMARK OFFICE  
**CERTIFICATE OF CORRECTION**

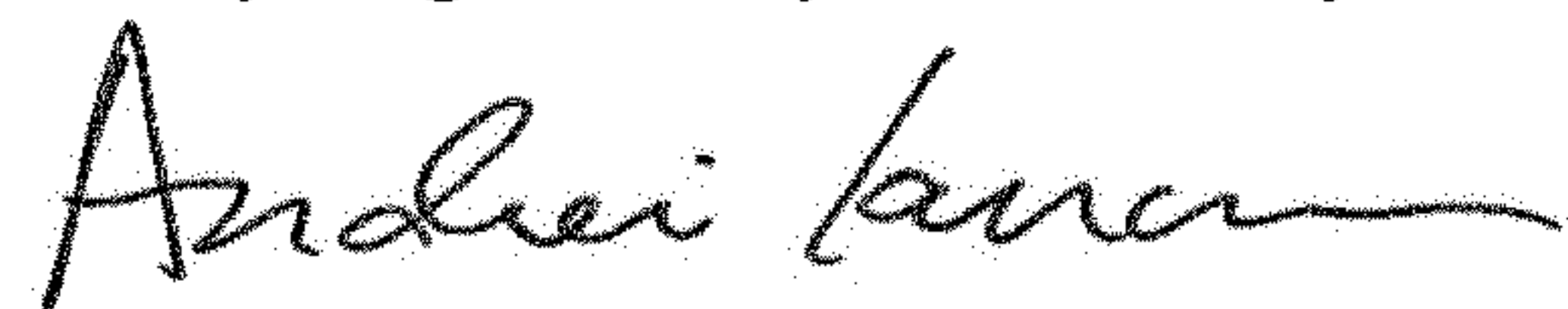
PATENT NO. : D868,055 S  
APPLICATION NO. : 29/624001  
DATED : November 26, 2019  
INVENTOR(S) : Denis Benic

Page 1 of 10

It is certified that error appears in the above-identified patent and that said Letters Patent is hereby corrected as shown below:

Please delete Patent No. D868,055 S in its entirety and insert Patent No. D868,055 S in its entirety as shown on the attached pages.

Signed and Sealed this  
Twenty-eighth Day of January, 2020



Andrei Iancu  
*Director of the United States Patent and Trademark Office*

(12) **United States Design Patent** (10) **Patent No.:** **US D868,055 S**  
**Benic** (45) **Date of Patent:** **\*\* Nov. 26, 2019**

(54) **STANDALONE TOUCHSCREEN DEVICE**  
 (71) Applicant: **Ink Labs, Inc., Lincoln, NE (US)**  
 (72) Inventor: **Denis Benic, Lincoln, NE (US)**  
 (73) Assignee: **Ink Labs, Inc., Lincoln, NE (US)**  
 (\*\*) Term: **15 Years**  
 (21) Appl. No.: **29/624,001**  
 (22) Filed: **Oct. 29, 2017**  
 (51) **LOC (12) CL** ..... **14-02**  
 (52) **U.S. CL**  
 USPC ..... **D14/307**  
 (58) **Field of Classification Search**  
 USPC ..... D14/300-307, 336, 356, 357, 420, 900,  
 D14/901, 902, 129, 371, 374, 375, 376,  
 D14/385; D13/162, 162.1, 163; D20/10,  
 D20/19, 41; D21/332, 325, 369, 370;  
 D6/673, 681, 681.1; D18/4.4, 4.5, 4.6,  
 D18/36, 38, 39, 53; D24/107, 185, 186;  
 D10/46.1  
 CPC ..... G07F 17/00; G07F 17/26; G07F 17/266;  
 G07F 7/088; G07F 7/0886; G07F 7/0893;  
 G07G 1/00; G07G 1/00093; G07G  
 1/0018; G06Q 20/18; G06Q 20/20  
 See application file for complete search history.

(56) **References Cited**  
**U.S. PATENT DOCUMENTS**  
 D188,855 S \* 9/1960 Reineman et al. .... D10/46.1  
 D190,659 S \* 6/1961 Lipitsky ..... 473/54  
 D216,937 S \* 3/1970 Chamlee ..... D20/41  
 D256,127 S \* 7/1980 Overman ..... D18/36  
 D266,669 S \* 10/1982 Sawada ..... D18/4.6  
 D273,112 S \* 3/1984 Sliwowski ..... D14/306  
 D275,970 S \* 10/1984 Bowers ..... D20/41  
 D279,566 S \* 7/1985 Case ..... D18/4.4

D281,254 S \* 11/1985 Akiyama ..... D18/4.6  
 D287,591 S \* 1/1987 Kaplan ..... D14/387  
 D289,649 S \* 5/1987 Jablonski ..... D14/307  
 D294,701 S \* 3/1988 Horii ..... D14/126  
 D305,647 S \* 1/1990 Kato ..... D14/374  
 D306,719 S \* 3/1990 Austin ..... D18/4.6  
 D310,352 S \* 9/1990 Kato ..... D18/4.5  
 D311,393 S \* 10/1990 Weaver ..... D14/420  
 D359,952 S \* 7/1995 Cox ..... D18/4.5  
 D363,467 S \* 10/1995 Takahashi ..... D14/129  
 D368,293 S \* 3/1996 Barrett ..... D10/46.1  
 D377,784 S \* 2/1997 Wilson ..... D10/93  
 D378,082 S \* 2/1997 Wilson ..... D10/93  
 D378,534 S \* 3/1997 Kato ..... D14/371  
 D386,173 S \* 11/1997 Scibora ..... D14/420  
 D390,225 S \* 2/1998 Bowden ..... D14/144  
 D399,493 S \* 10/1998 Nakajima ..... D13/163  
 5,852,977 A \* 12/1998 Lynch ..... G07F 17/26  
 101/232  
 D409,170 S \* 5/1999 Ota ..... D13/107  
 D410,448 S \* 6/1999 Honaker ..... D14/371  
 D415,330 S \* 10/1999 King ..... D14/900  
 D416,208 S \* 11/1999 Arney ..... D10/46.1  
 D417,440 S \* 12/1999 Wilson ..... D10/93

(Continued)

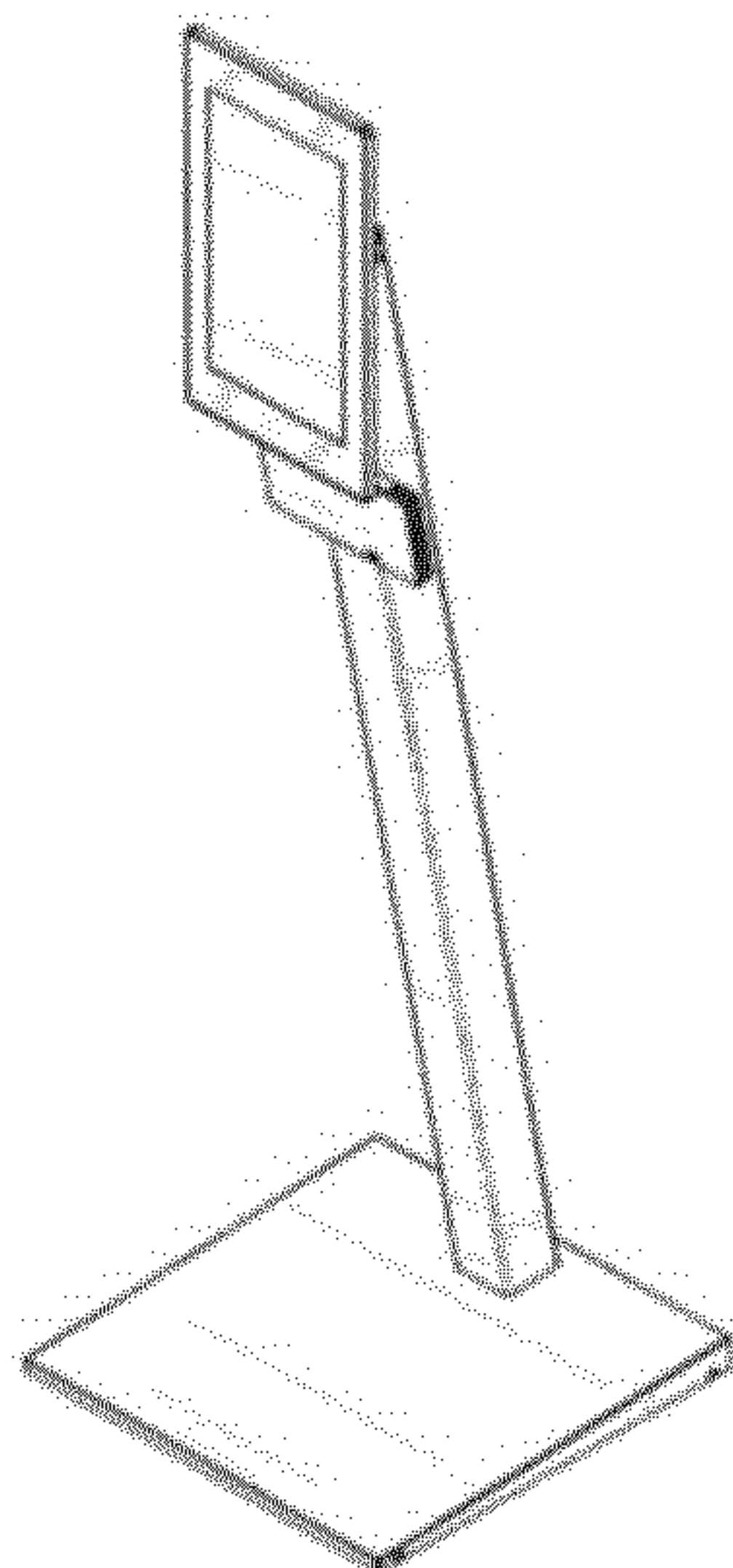
Primary Examiner — Marie D. Fast Horse  
 (74) Attorney, Agent, or Firm — Rimon PC

(57) **CLAIM**  
 The ornamental design for a standalone touchscreen device,  
 as shown.

**DESCRIPTION**

FIG. 1 is a perspective view of a standalone touchscreen device showing the claimed design;  
 FIG. 2 is a front view thereof;  
 FIG. 3 is a back view thereof;  
 FIG. 4 is a side view thereof;  
 FIG. 5 is another side view thereof;  
 FIG. 6 is a top view thereof; and,  
 FIG. 7 is a bottom view thereof.

**1 Claim, 7 Drawing Sheets**



US D868,055 S

Page 2

(56)

References Cited

U.S. PATENT DOCUMENTS

|              |   |         |             |                       |                 |   |         |                 |                            |
|--------------|---|---------|-------------|-----------------------|-----------------|---|---------|-----------------|----------------------------|
| D417,893 S   | * | 12/1999 | Hunter      | D14/900               | D695,285 S      | * | 12/2013 | Smith           | D14/307                    |
| D428,047 S   | * | 7/2000  | Kolls       | D18/4.6               | D695,735 S      | * | 12/2013 | Kitchen         | D14/341                    |
| D428,415 S   | * | 7/2000  | Shibata     | D14/126               | D702,675 S      | * | 4/2014  | Jones           | D14/307                    |
| D442,560 S   | * | 5/2001  | Price       | D13/163               | D704,709 S      | * | 5/2014  | Bussoli         | D14/128                    |
| D453,512 S   | * | 2/2002  | Campagna    | D14/385               | D716,372 S      | * | 10/2014 | Lee             | D18/4.4                    |
| D473,554 S   | * | 4/2003  | Landerholm  | D14/302               | D717,785 S      | * | 11/2014 | Winston         | D14/307                    |
| D477,838 S   | * | 7/2003  | Huang       | D18/39                | D721,696 S      | * | 1/2015  | Birgeoglu       | D14/307                    |
| D480,731 S   | * | 10/2003 | Becker      | D14/302               | D722,313 S      | * | 2/2015  | Birgeoglu       | D14/307                    |
| D483,379 S   | * | 12/2003 | Becker      | D14/302               | D723,025 S      | * | 2/2015  | Birgeoglu       | D14/307                    |
| D486,827 S   | * | 2/2004  | Detallante  | D14/420               | D723,026 S      | * | 2/2015  | Birgeoglu       | D14/307                    |
| D511,160 S   | * | 11/2005 | Thompson    | D14/302               | D728,676 S      | * | 5/2015  | Reines          | D18/6                      |
| D512,698 S   | * | 12/2005 | Augenbraun  | D14/129               | D740,697 S      | * | 10/2015 | Recknagel       | D10/46.1                   |
| D515,523 S   | * | 2/2006  | Asanuma     | D14/126               | D751,638 S      | * | 3/2016  | Chung           | D18/53                     |
| D517,549 S   | * | 3/2006  | Depay       | D14/375               | D752,142 S      | * | 3/2016  | Chung           | D18/53                     |
| D520,470 S   | * | 5/2006  | Lin         | D14/126               | D763,247 S      | * | 8/2016  | Yepez           | D14/307                    |
| D537,079 S   | * | 2/2007  | Park        | D14/375               | D777,722 S      | * | 1/2017  | Murphy          | D14/307                    |
| D541,267 S   | * | 4/2007  | Sagen       | D14/307               | D781,279 S      | * | 3/2017  | Horn, II        | D14/307                    |
| D541,278 S   | * | 4/2007  | Hsu         | D14/336               | D781,843 S      | * | 3/2017  | Horn, II        | D14/307                    |
| D550,663 S   | * | 9/2007  | Olea        | D14/302               | D782,467 S      | * | 3/2017  | Bladwell        | D14/307                    |
| D556,833 S   | * | 12/2007 | Maier-Hunke | D20/41                | D783,016 S      | * | 4/2017  | Matloff         | D14/307                    |
| D563,404 S   | * | 3/2008  | Taniho      | D14/302               | D786,244 S      | * | 5/2017  | Mohideen        | D14/371                    |
| D565,044 S   | * | 3/2008  | Witts       | D14/307               | D787,600 S      | * | 5/2017  | McCue           | D20/41                     |
| D582,986 S   | * | 12/2008 | Sanchez     | D14/159               | D791,861 S      | * | 7/2017  | Battle          | D14/447                    |
| D585,943 S   | * | 2/2009  | Pymm        | D20/10                | D795,242 S      | * | 8/2017  | Birgeoglu       | D14/307                    |
| D587,699 S   | * | 3/2009  | Corti       | D14/307               | D795,858 S      | * | 8/2017  | Iulita          | D14/307                    |
| D587,700 S   | * | 3/2009  | Corti       | D14/307               | D808,965 S      | * | 1/2018  | Bergeron-Mirsky | D14/371                    |
| D594,055 S   | * | 6/2009  | Hugiwara    | D18/4.5               | D810,816 S      | * | 2/2018  | Chen            | D18/4.4                    |
| D595,251 S   | * | 6/2009  | Kaneko      | D14/129               | D816,077 S      | * | 4/2018  | Benic           | D14/307                    |
| D595,784 S   | * | 7/2009  | Wells       | D21/370               | D816,662 S      | * | 5/2018  | Haller          | D14/336                    |
| D595,785 S   | * | 7/2009  | Wells       | D21/370               | D826,887 S      | * | 8/2018  | Kymm            | D14/126                    |
| D597,764 S   | * | 8/2009  | Topcuoglu   | D20/10                | D826,922 S      | * | 8/2018  | Vaananen        | D14/307                    |
| D597,975 S   | * | 8/2009  | Ohno        | D14/126               | D835,184 S      | * | 12/2018 | Sorio           | D18/4.5                    |
| D598,053 S   | * | 8/2009  | Sanchez     | D14/159               | D836,098 S      | * | 12/2018 | Vaananen        | D14/307                    |
| D598,917 S   | * | 8/2009  | Luber       | D14/375               | D836,099 S      | * | 12/2018 | Vaananen        | D14/307                    |
| D601,146 S   | * | 9/2009  | Chueh       | D14/375               | D836,625 S      | * | 12/2018 | Szeredi         | D14/307                    |
| D605,191 S   | * | 12/2009 | Kuroda      | D14/307               | D840,390 S      | * | 2/2019  | Mangcot         | D14/307                    |
| D636,441 S   | * | 4/2011  | Potts       | D20/19                | D848,414 S      | * | 5/2019  | Gardens         | D14/307                    |
| 7,949,567 B2 | * | 5/2011  | Lum         | G06Q 20/20<br>235/379 | D849,832 S      | * | 5/2019  | Baker           | D18/4.5                    |
| D639,088 S   | * | 6/2011  | Rodgers     | D20/10                | 2005/0099653 A1 | * | 5/2005  | Kawuoka         | H04N 1/00209<br>358/1.15   |
| D644,223 S   | * | 8/2011  | Maupin      | D14/371               | 2006/0158152 A1 | * | 7/2006  | Taniguchi       | H02J 7/025<br>320/106      |
| D661,291 S   | * | 6/2012  | Remukanand  | D14/307               | 2014/0185205 A1 | * | 7/2014  | Tippmann        | G06Q 30/0641<br>361/679.01 |
| D662,992 S   | * | 7/2012  | Hernandez   | D20/19                | 2015/0182647 A1 | * | 7/2015  | Ranta           | A61L 2/10<br>250/338.1     |
| D669,464 S   | * | 10/2012 | Birgeoglu   | D14/307               | 2017/0161704 A1 | * | 6/2017  | Rimer           | A47F 9/00                  |
| D671,545 S   | * | 11/2012 | Guran       | D14/447               |                 |   |         |                 |                            |
| D686,610 S   | * | 7/2013  | Martinoli   | D14/305               |                 |   |         |                 |                            |

\* cited by examiner

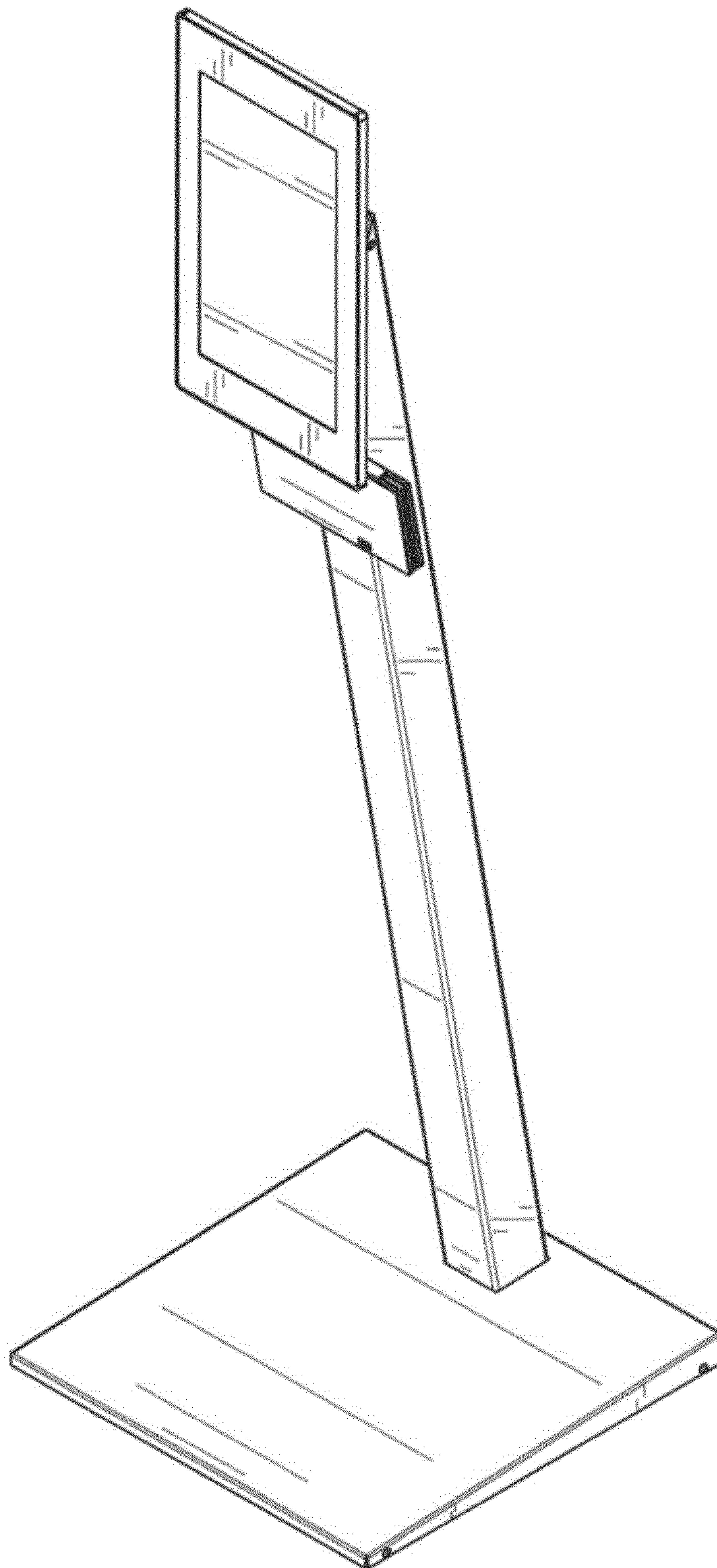


FIG. 1

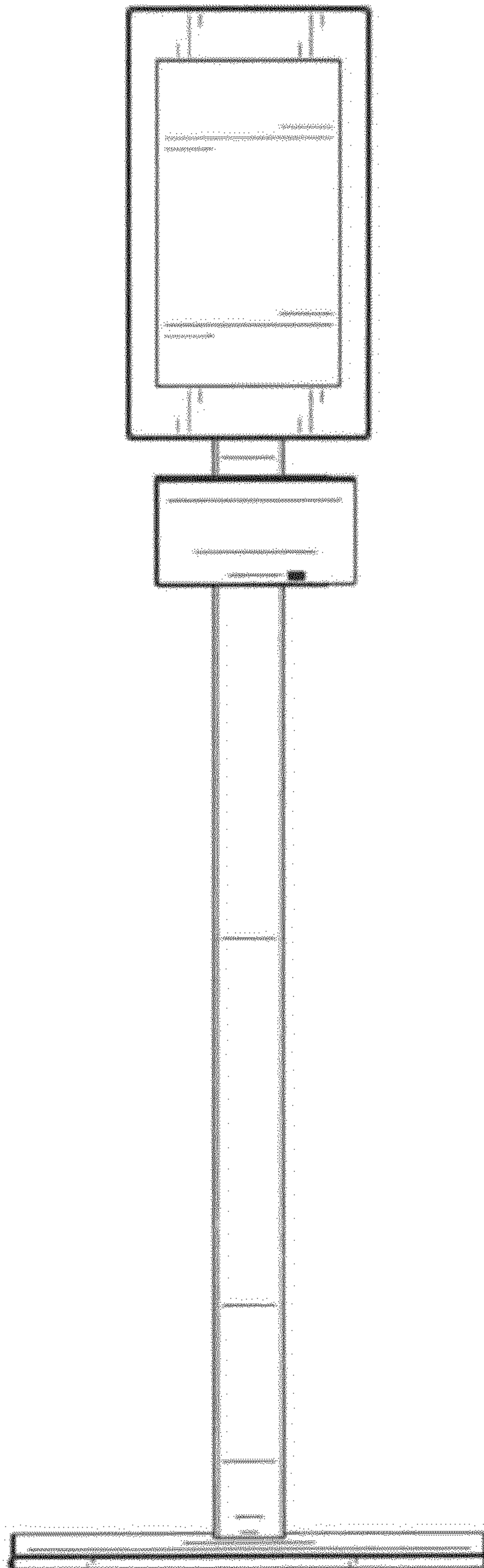


FIG. 2

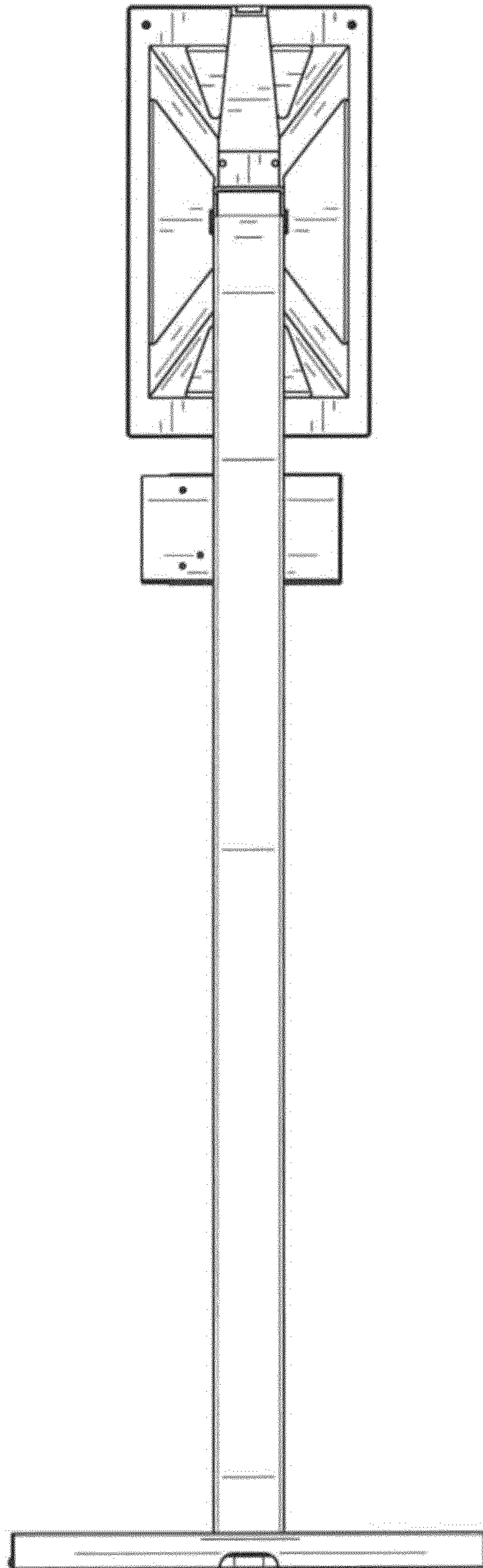


FIG. 3

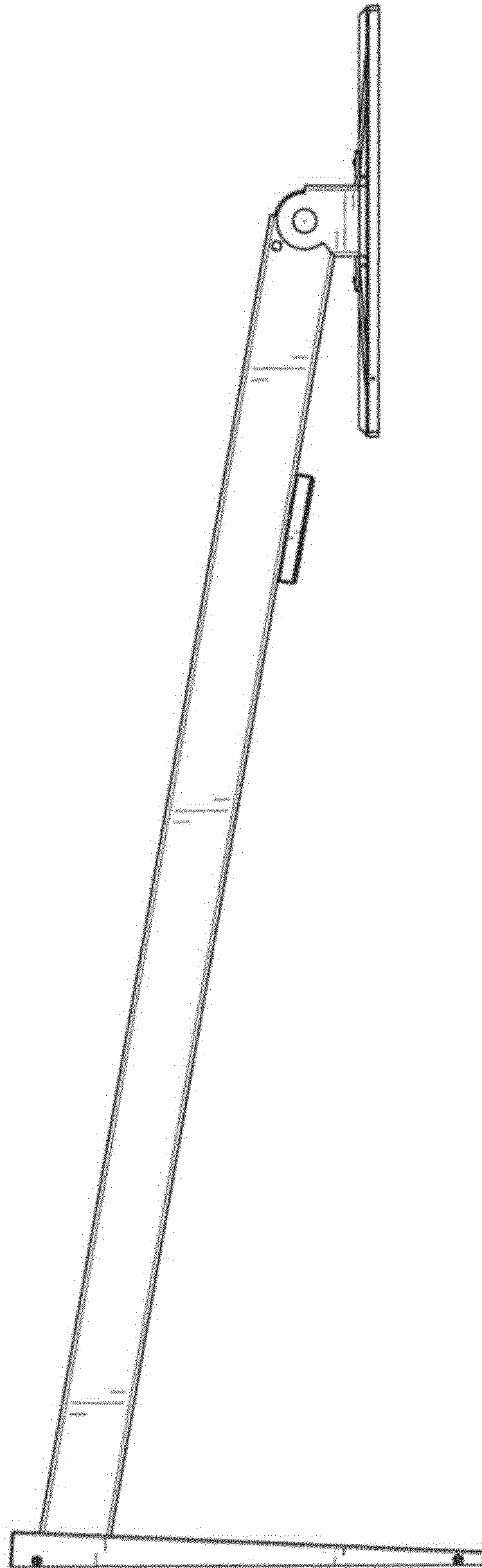


FIG. 4





FIG. 5

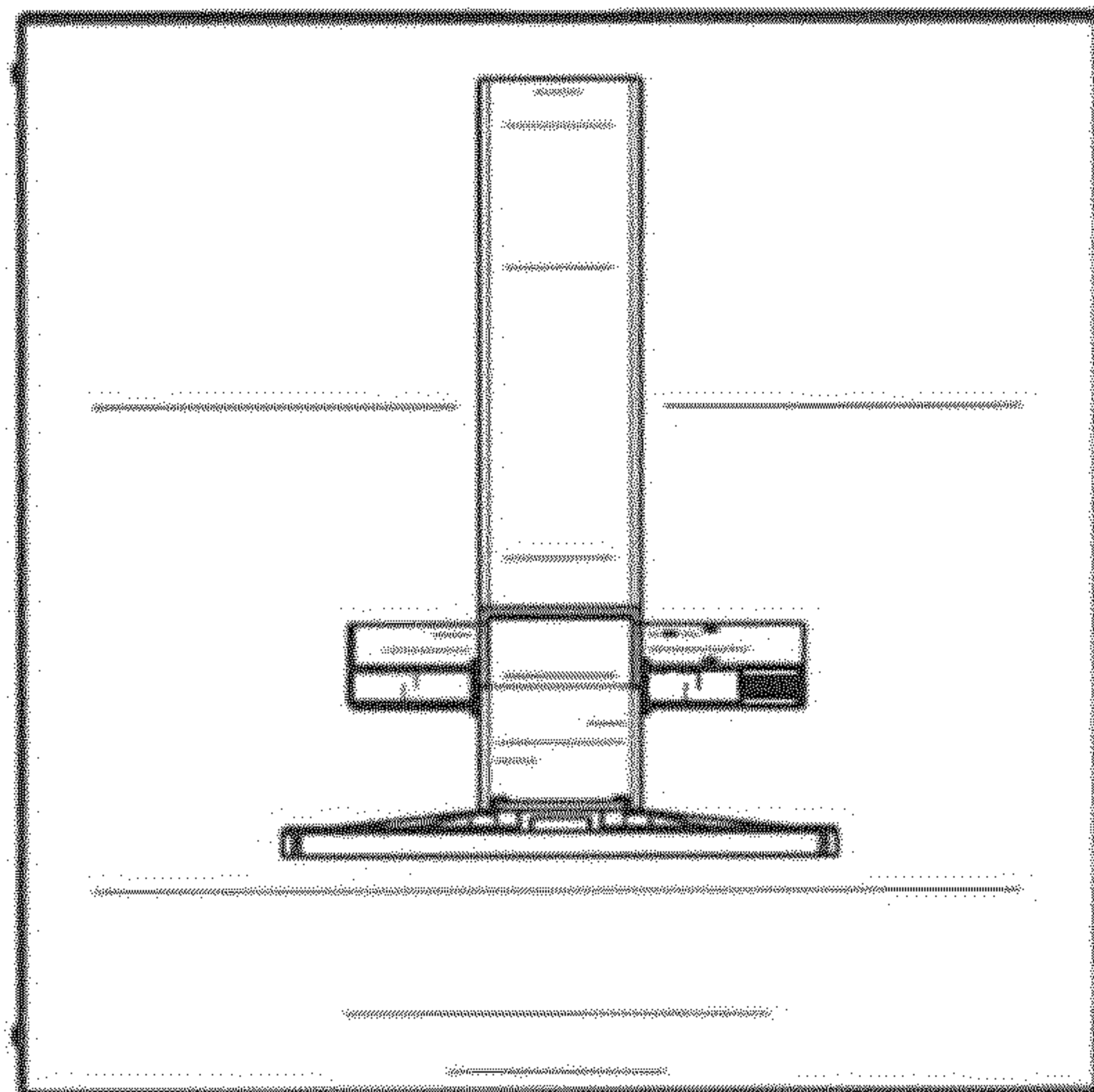


FIG. 6

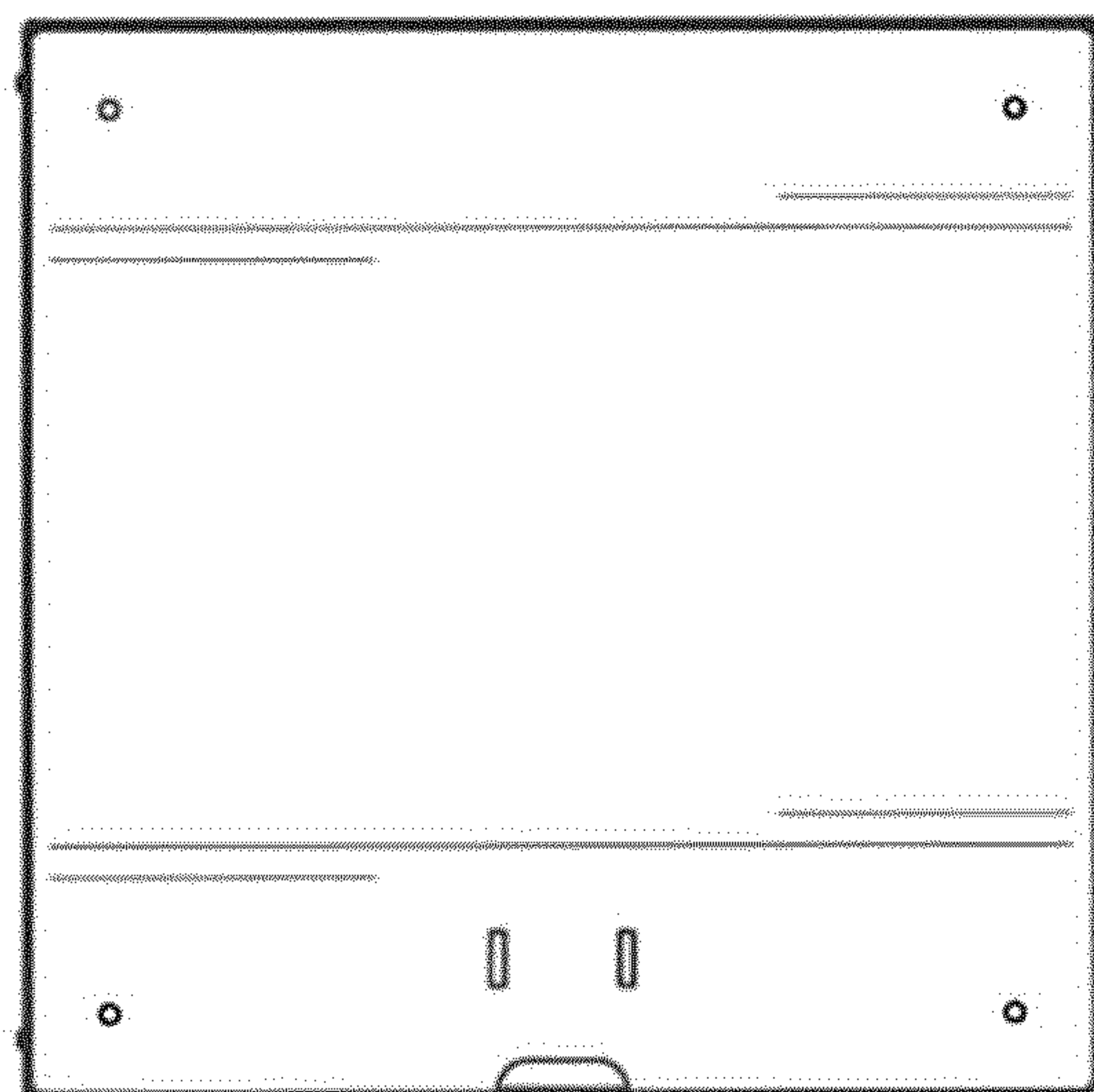


FIG. 7