



US00D868054S

(12) **United States Design Patent** (10) **Patent No.:** **US D868,054 S**
Kim et al. (45) **Date of Patent:** **** Nov. 26, 2019**

(54) **HOLDER FOR SMART PHONE OR THE LIKE**

(71) Applicant: **Soo Jong Kim**, Anyang-si (KR)

(72) Inventors: **Soo Jong Kim**, Anyang-si (KR); **Bon Young Koo**, Seongnam-si (KR)

(73) Assignee: **Soo Jong Kim**, Anyang-si (KR)

(**) Term: **15 Years**

(21) Appl. No.: **29/638,870**

(22) Filed: **Mar. 1, 2018**

(30) **Foreign Application Priority Data**

Nov. 9, 2017 (KR) 30-2017-0052210

(51) **LOC (12) Cl.** **14-03**

(52) **U.S. Cl.**
USPC **D14/253**; D12/415

(58) **Field of Classification Search**
USPC D14/251-254, 217, 224, 224.1, 238.1,
D14/299, 434, 447, 451-452, 483;
D12/400, 415-426, 426.1, 114, 223;
D8/394; D6/513, 553, 567; D3/218;
D16/242, 245

CPC B60R 11/00; B60R 11/02; B60R 11/0241;
B60R 11/0252; B60R 2011/0005; B60R
2011/0008; H04M 1/026; H04M 1/0266;
H04B 1/3877; A45F 2200/0516; A45F
2200/0525; H05K 5/0204; F16M 13/02;
F16M 13/022; F16M 13/04; F16M 11/04;
F16M 11/041; F16B 2/12; H01F 7/0252

See application file for complete search history.

(56) **References Cited**

U.S. PATENT DOCUMENTS

D733,115 S * 6/2015 Aspinall D14/253
D738,873 S * 9/2015 Kim D14/253
D750,633 S * 3/2016 Minn D14/447

D757,705 S * 5/2016 Esses D14/251
D765,651 S * 9/2016 Liu D14/253
D767,556 S * 9/2016 Lee D12/415
D768,125 S * 10/2016 Kim D14/253
D780,168 S * 2/2017 Du D14/253
D782,462 S * 3/2017 Huang D14/253
9,586,530 B2 * 3/2017 Kim B60R 11/02
D783,012 S * 4/2017 Lee D14/253

(Continued)

FOREIGN PATENT DOCUMENTS

KR 30-0821458 B 10/2015

OTHER PUBLICATIONS

Communication dated May 16, 2018, issued by the Korean Patent Office in counterpart Korean Patent Application No. 30-2017-0052210.

Primary Examiner — Jeffrey D Asch

Assistant Examiner — Rebekah A Caruso

(74) *Attorney, Agent, or Firm* — Sughrue Mion, PLLC

(57) **CLAIM**

The ornamental design for a holder for smart phone or the like, as shown and described.

DESCRIPTION

FIG. 1 is a perspective view of a holder for smart phone or the like;

FIG. 2 is a front view thereof;

FIG. 3 is a rear view thereof;

FIG. 4 is a left elevational side view thereof;

FIG. 5 is a right elevational side view thereof;

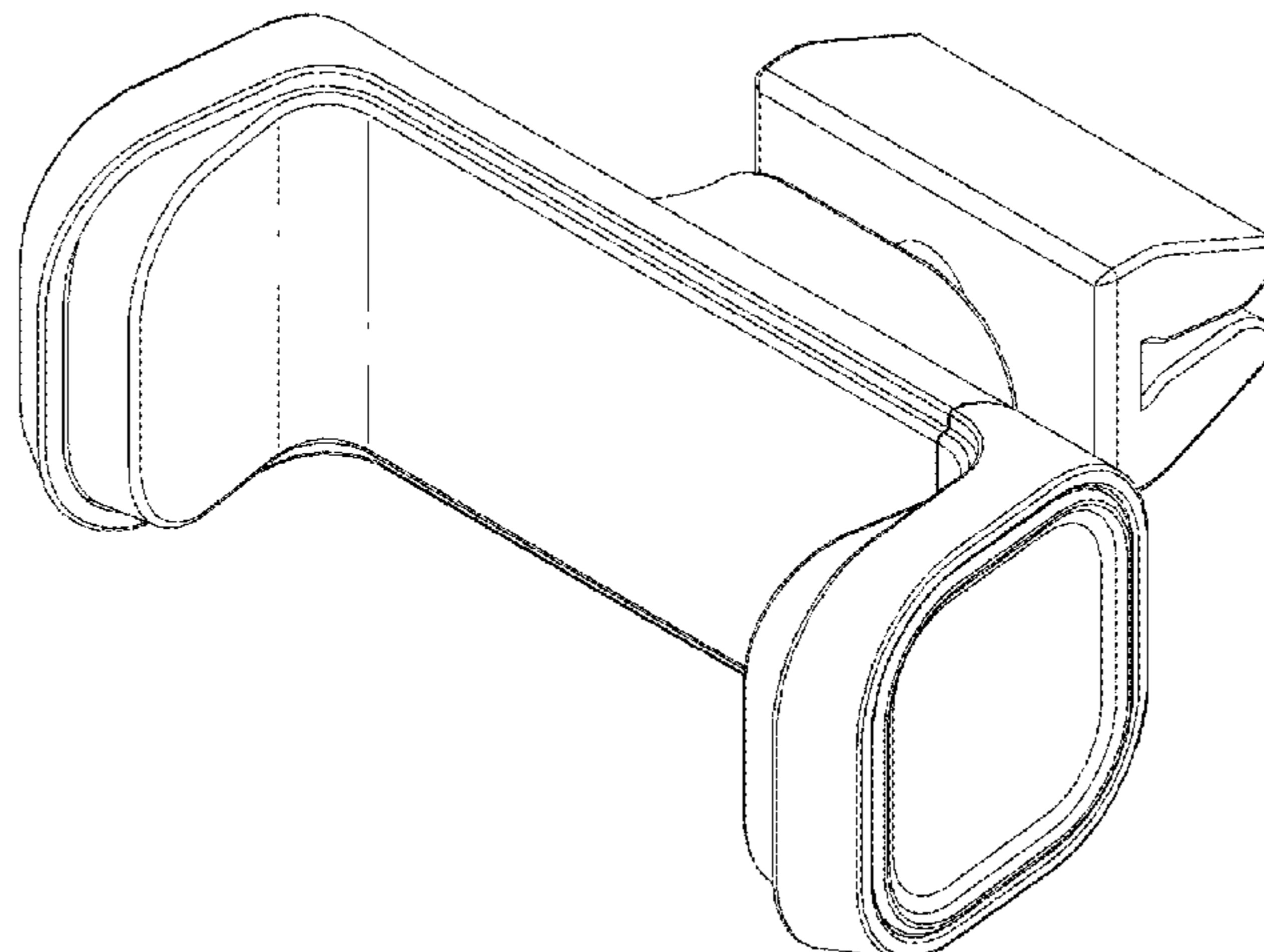
FIG. 6 is a top plan view thereof;

FIG. 7 is a bottom plan view thereof; and,

FIG. 8 is a perspective view showing that the holder for smart phone or the like is installed in a car.

The broken lines in the drawing figures depict environmental structure that forms no part of the claimed design.

1 Claim, 8 Drawing Sheets



(56)

References Cited

U.S. PATENT DOCUMENTS

D796,421 S * 9/2017 Huang D12/415
D797,750 S * 9/2017 Wengreen D14/447
D799,466 S * 10/2017 Sukphist D14/253
9,868,532 B2 * 1/2018 Balmer F16M 13/022
D823,846 S * 7/2018 Chen D14/251
D826,225 S * 8/2018 Chen D14/253
D831,660 S * 10/2018 Yao D14/447
D832,247 S * 10/2018 Sukphist D14/253
10,173,607 B1 * 1/2019 Omelchenko B60R 11/0241

* cited by examiner

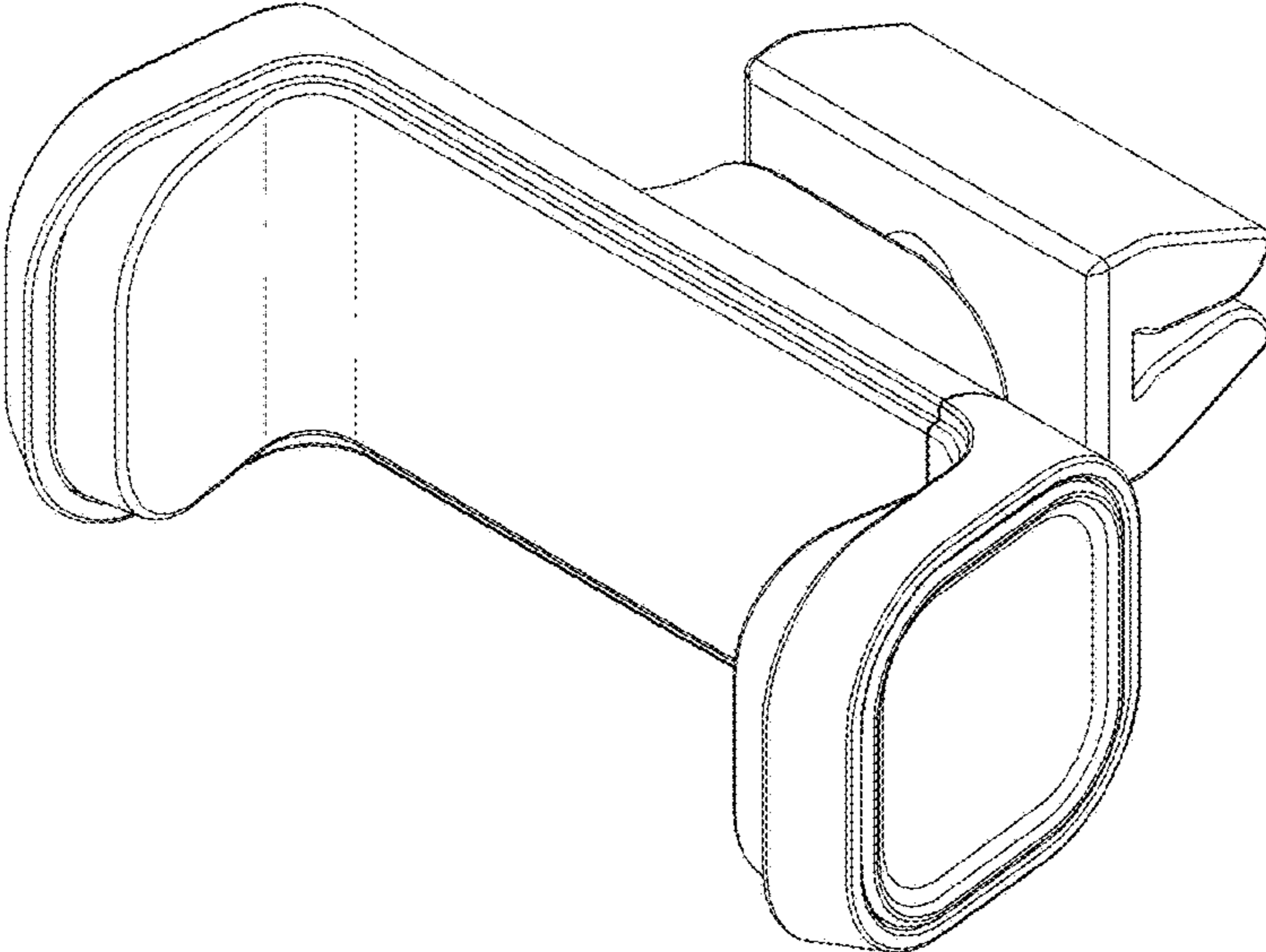


FIG.1

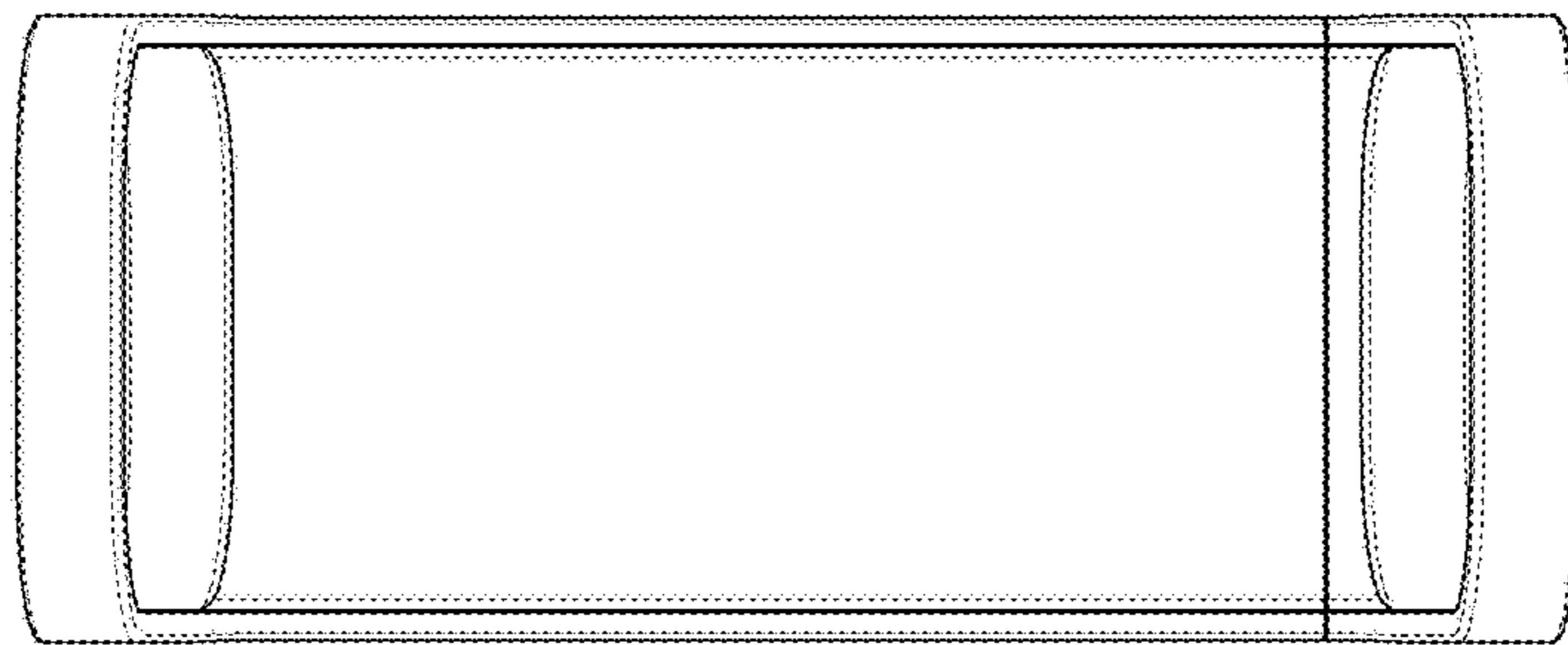


FIG.2

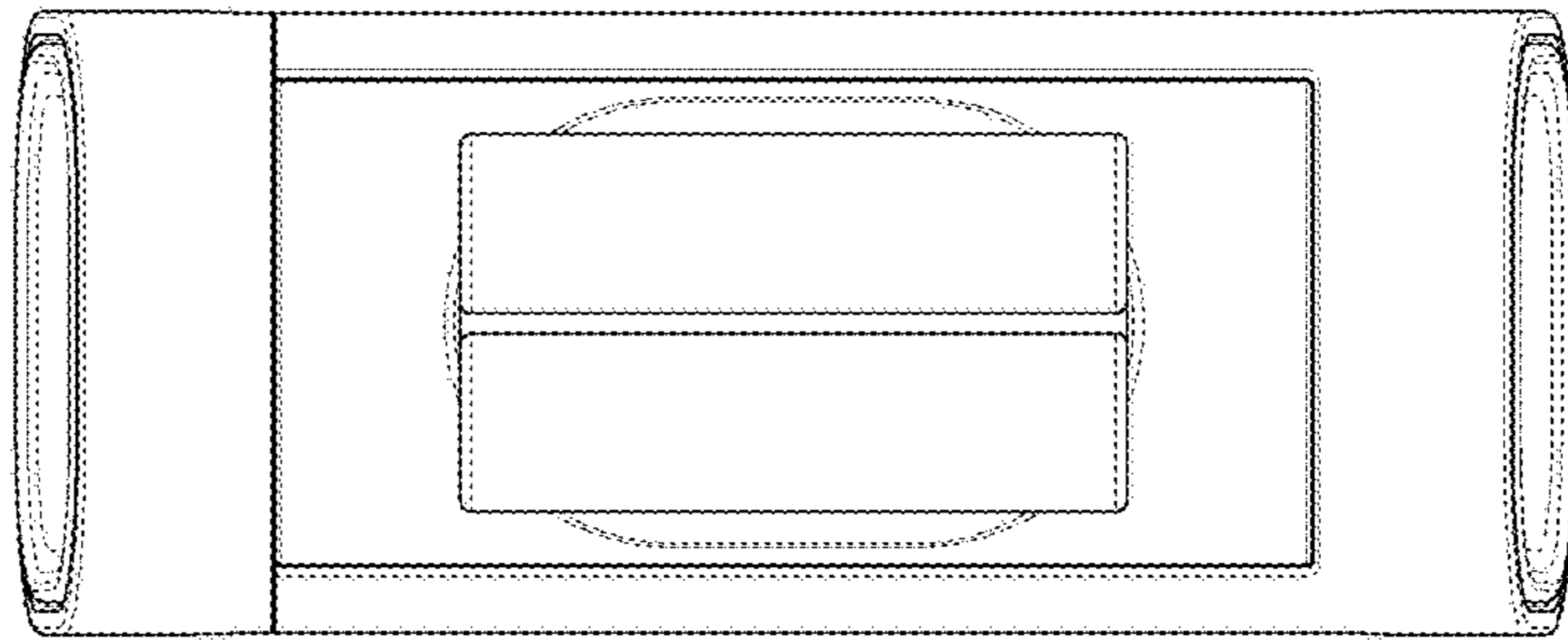


FIG. 3

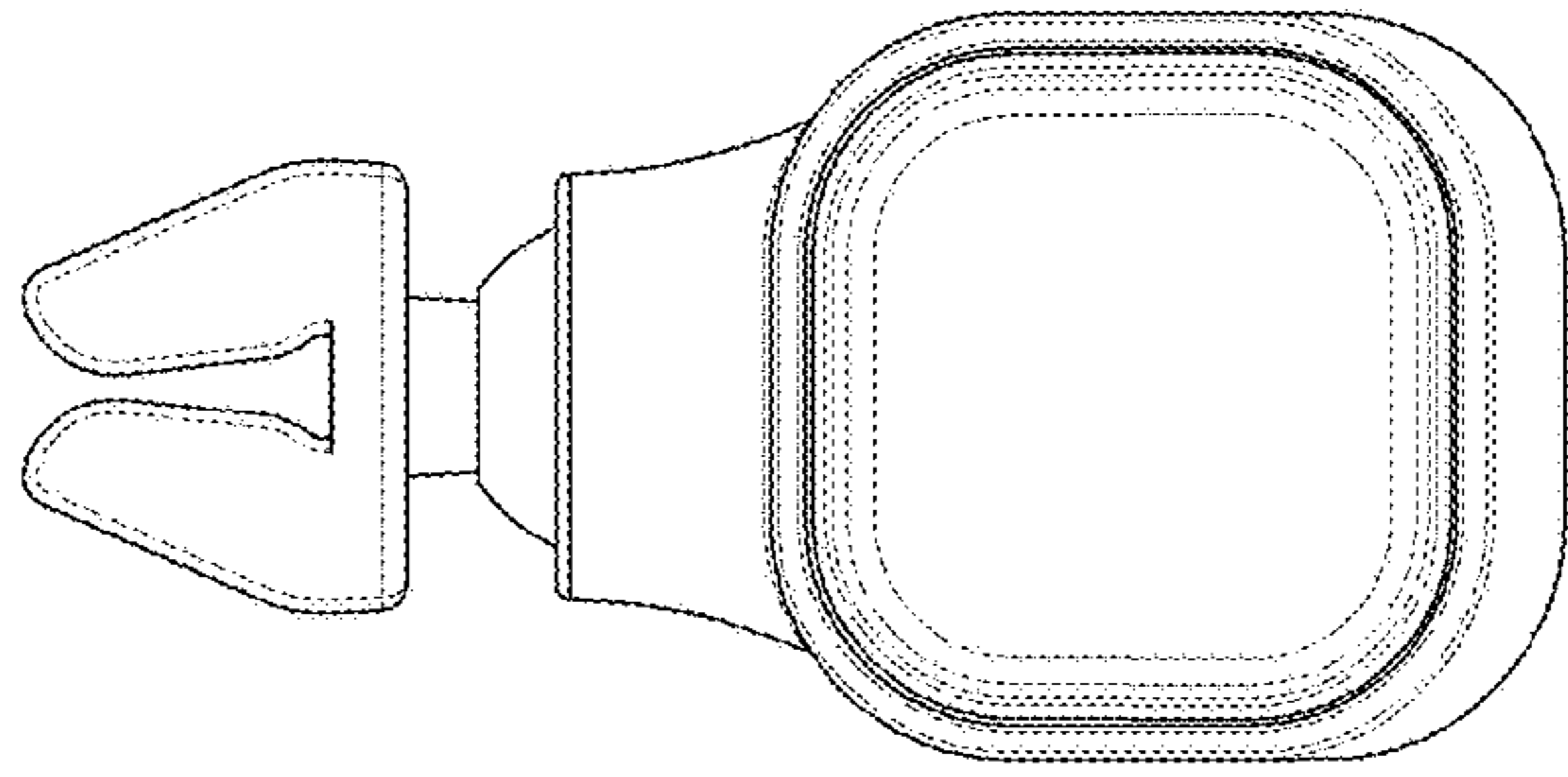


FIG. 4

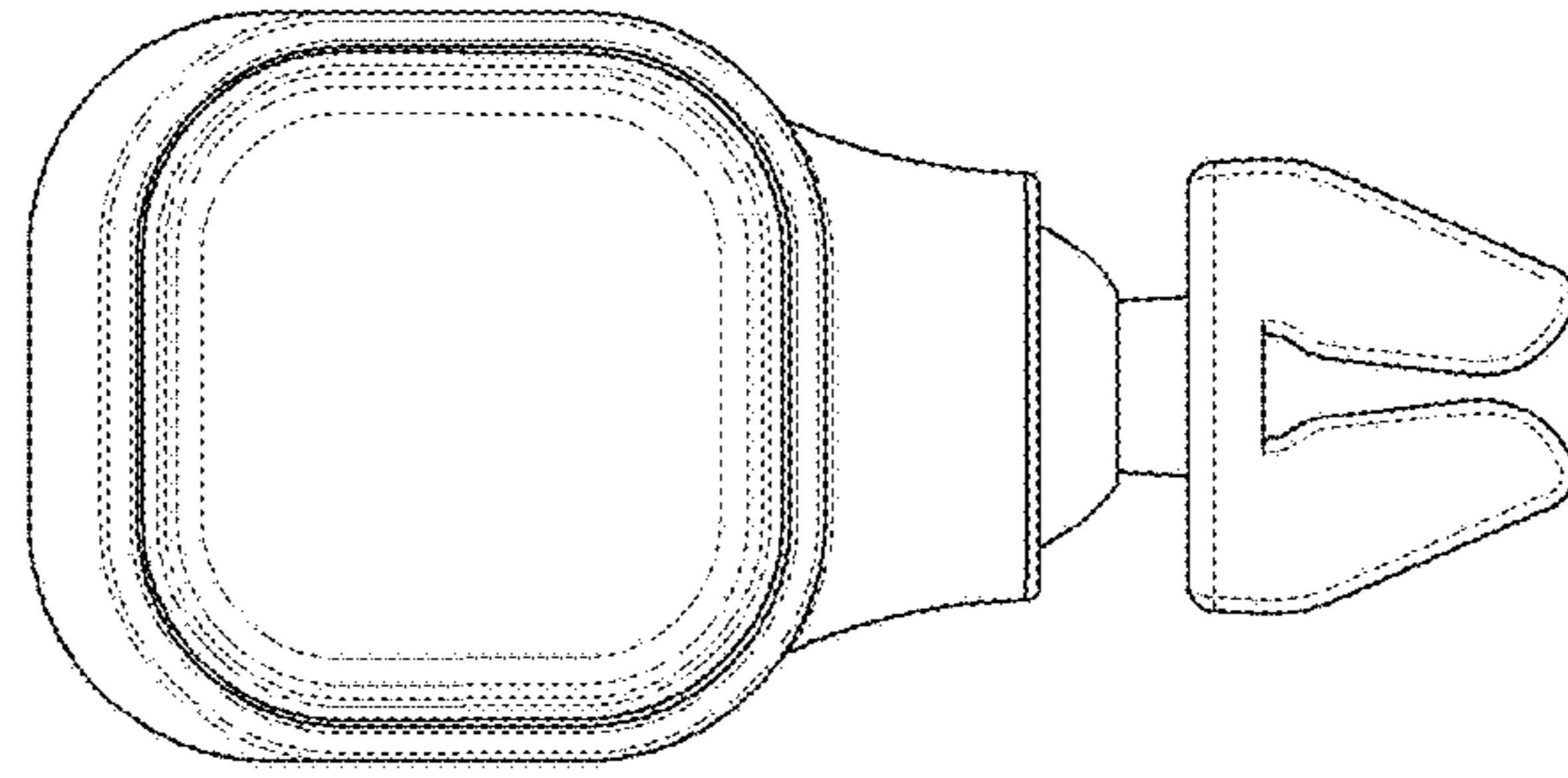


FIG. 5

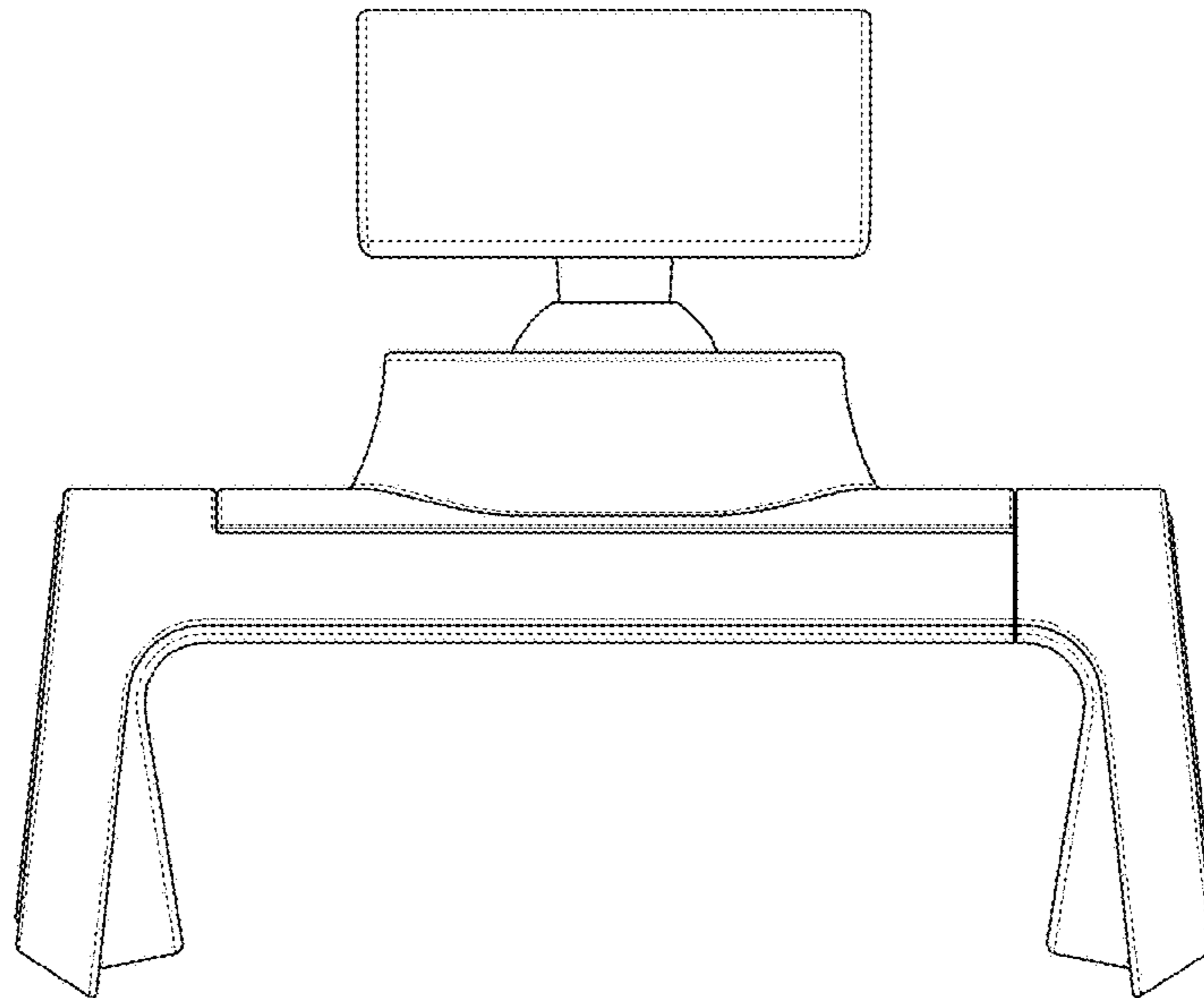


FIG. 6

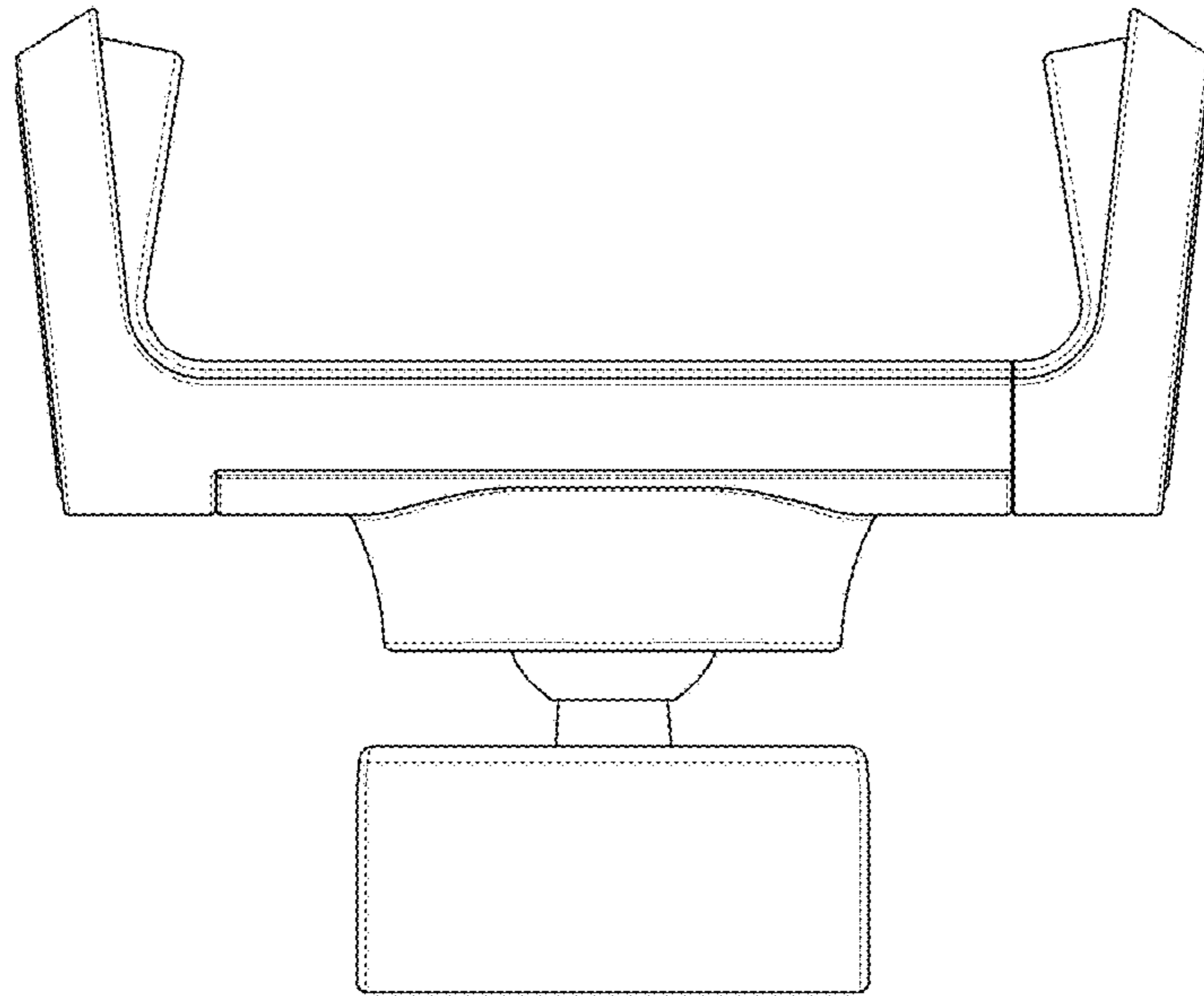


FIG. 7

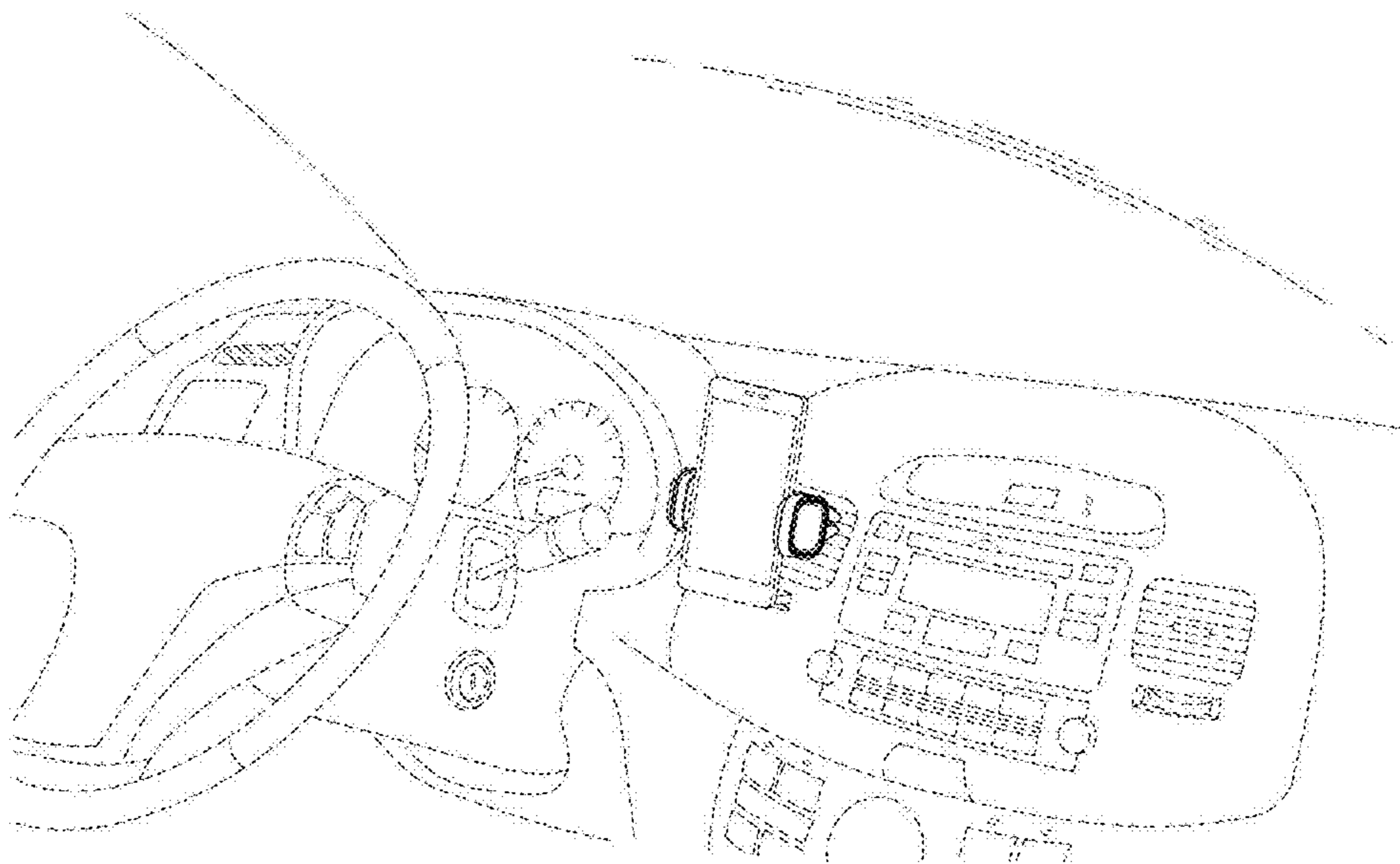


FIG. 8