



US00D868052S

(12) **United States Design Patent**
Jia et al.

(10) **Patent No.:** **US D868,052 S**

(45) **Date of Patent:** **** Nov. 26, 2019**

(54) **CELL PHONE PROTECTOR CASE WITH FOLDABLE STAND AND SWIVEL CLIP ATTACHMENT**

(71) Applicants: **Jun Jia**, Guangdong (CN); **Lihui Zhang**, Guangdong (CN)

(72) Inventors: **Jun Jia**, Guangdong (CN); **Lihui Zhang**, Guangdong (CN)

(73) Assignee: **Valor Communication, Inc.**, City of Industry, CA (US)

(**) Term: **15 Years**

(21) Appl. No.: **29/604,296**

(22) Filed: **May 16, 2017**

(51) **LOC (12) Cl.** **14-03**

(52) **U.S. Cl.**
USPC **D14/250**

(58) **Field of Classification Search**
USPC D3/201, 218, 226, 227, 247, 249, 250, D3/269, 303; D13/103, 107, 108, 119; D14/137, 138 R, 138 AA, 138 C, 138 G, D14/203.3–203.7, 217, 238.1, 247, 248, D14/250–253, 440, 447
CPC H04B 1/3888; H04M 1/0283; H04M 1/0202; A45C 1/06; A45C 2011/002; A45C 11/00; A45F 2005/028; A45F 2200/0525

See application file for complete search history.

(56) **References Cited**

U.S. PATENT DOCUMENTS

D652,825 S *	1/2012	Bau	D14/238.1
D656,494 S *	3/2012	Bau	D14/250
D663,294 S *	7/2012	Buxton	D14/250
D670,278 S *	11/2012	Hamann	D14/250
D670,279 S *	11/2012	Veltz	D14/250
D671,933 S *	12/2012	Rodgers	D14/250

D679,684 S *	4/2013	Baker	D14/250
8,584,847 B2 *	11/2013	Tages	G06F 1/1633 206/320
8,616,422 B2 *	12/2013	Adelman	A45F 5/00 224/191
D701,211 S *	3/2014	Ng	D14/440
D707,215 S *	6/2014	Weller	D14/250
D709,486 S *	7/2014	Lin	D14/250
D711,362 S *	8/2014	Poon	D14/250
D712,387 S *	9/2014	Tompkin	D14/250
D716,280 S *	10/2014	Macrina	D14/250
D724,067 S *	3/2015	Fathollahi	D14/250
D726,170 S *	4/2015	Ng	D14/250
D733,696 S *	7/2015	Burgett	D14/250
D737,262 S *	8/2015	Jia	D14/250

(Continued)

Primary Examiner — Susan E Krakower

Assistant Examiner — L. A. Grabenstetter

(74) *Attorney, Agent, or Firm* — Thomas I. Rozsa

(57) **CLAIM**

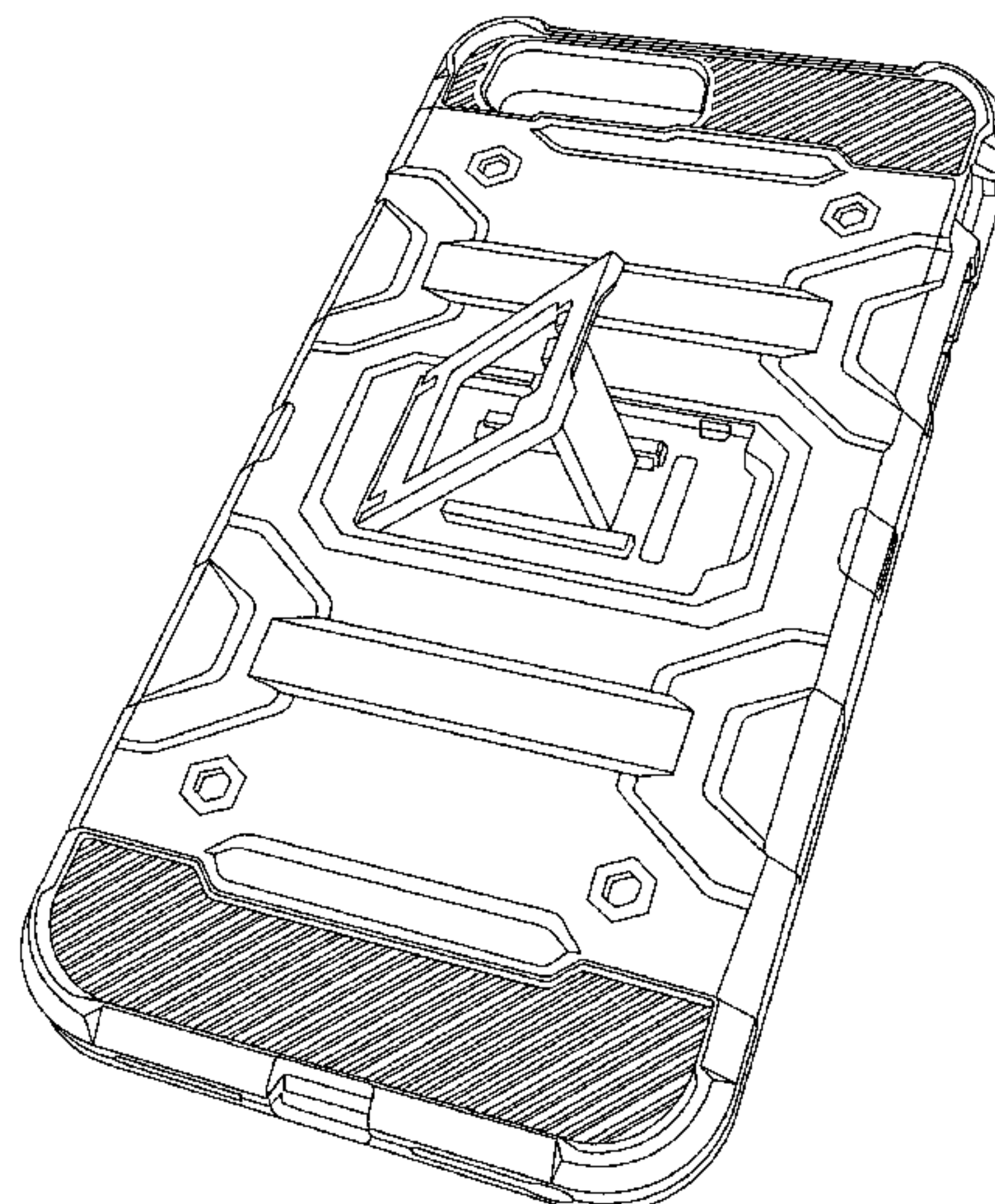
The ornamental design for a cell phone protector case with foldable stand and swivel clip attachment, as shown and described.

DESCRIPTION

FIG. 1 is a rear perspective view of a cell phone protector case with foldable stand and swivel clip attachment, illustrating the kick stand in the extended condition; FIG. 2 is a rear elevation view of the cell phone protector case with foldable stand and swivel clip attachment, illustrating the kick stand in a folded condition; FIG. 3 is a front elevational view thereof; FIG. 4 is a right side elevational view thereof; FIG. 5 is a left side elevational view thereof; FIG. 6 is a top view thereof; and, FIG. 7 is a bottom view thereof.

The broken lines depict portions of the cell phone protector case with foldable stand and swivel clip attachment that form no part of the claimed design.

1 Claim, 6 Drawing Sheets



(56)

References Cited

U.S. PATENT DOCUMENTS

D755,764 S *	5/2016	Dong	D14/250
D761,780 S *	7/2016	Nguyen	D14/250
D763,840 S *	8/2016	Hwang	D14/250
D763,853 S *	8/2016	Pearce	D14/440
D765,085 S *	8/2016	Moore	D14/440
D766,907 S *	9/2016	Veltz	D14/440
D769,233 S *	10/2016	Qian	D14/250
D769,855 S *	10/2016	Deng	D14/250
D772,856 S *	11/2016	Taylor	D14/250
D773,447 S *	12/2016	Taylor	D14/250
D778,275 S *	2/2017	Gabriel	D14/250
D780,166 S *	2/2017	Lin	D14/250

* cited by examiner

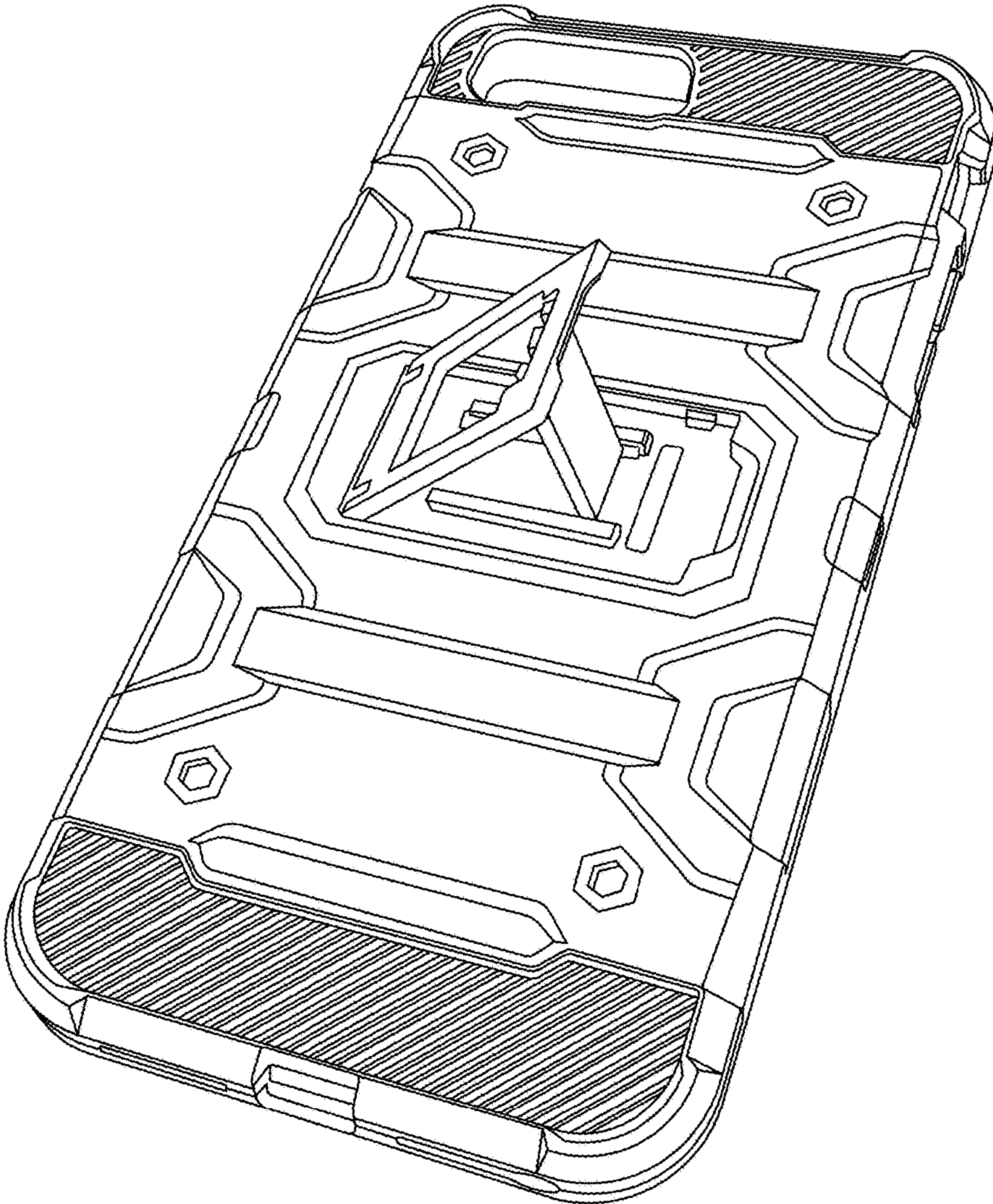


FIG. 1

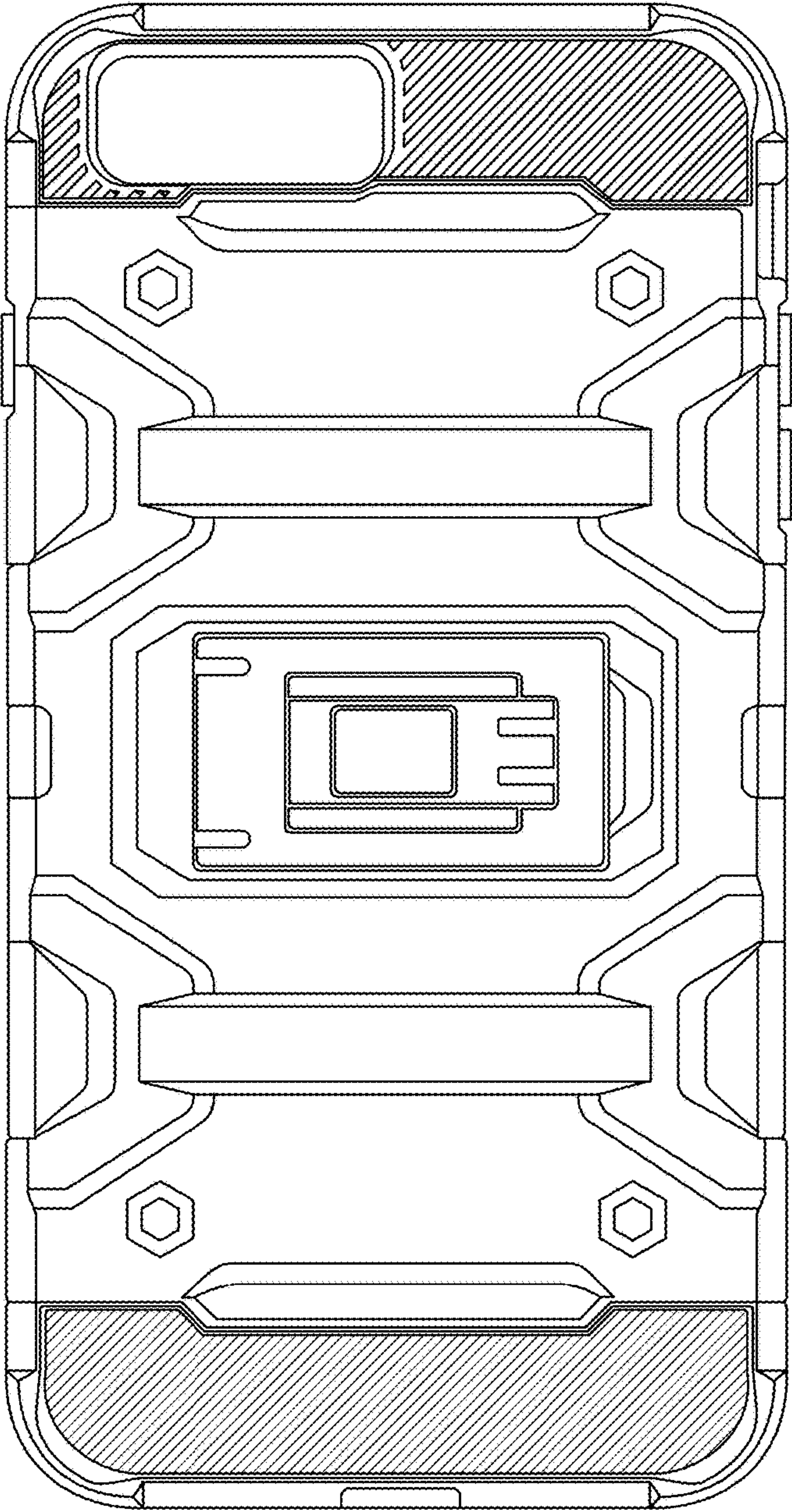


FIG. 2

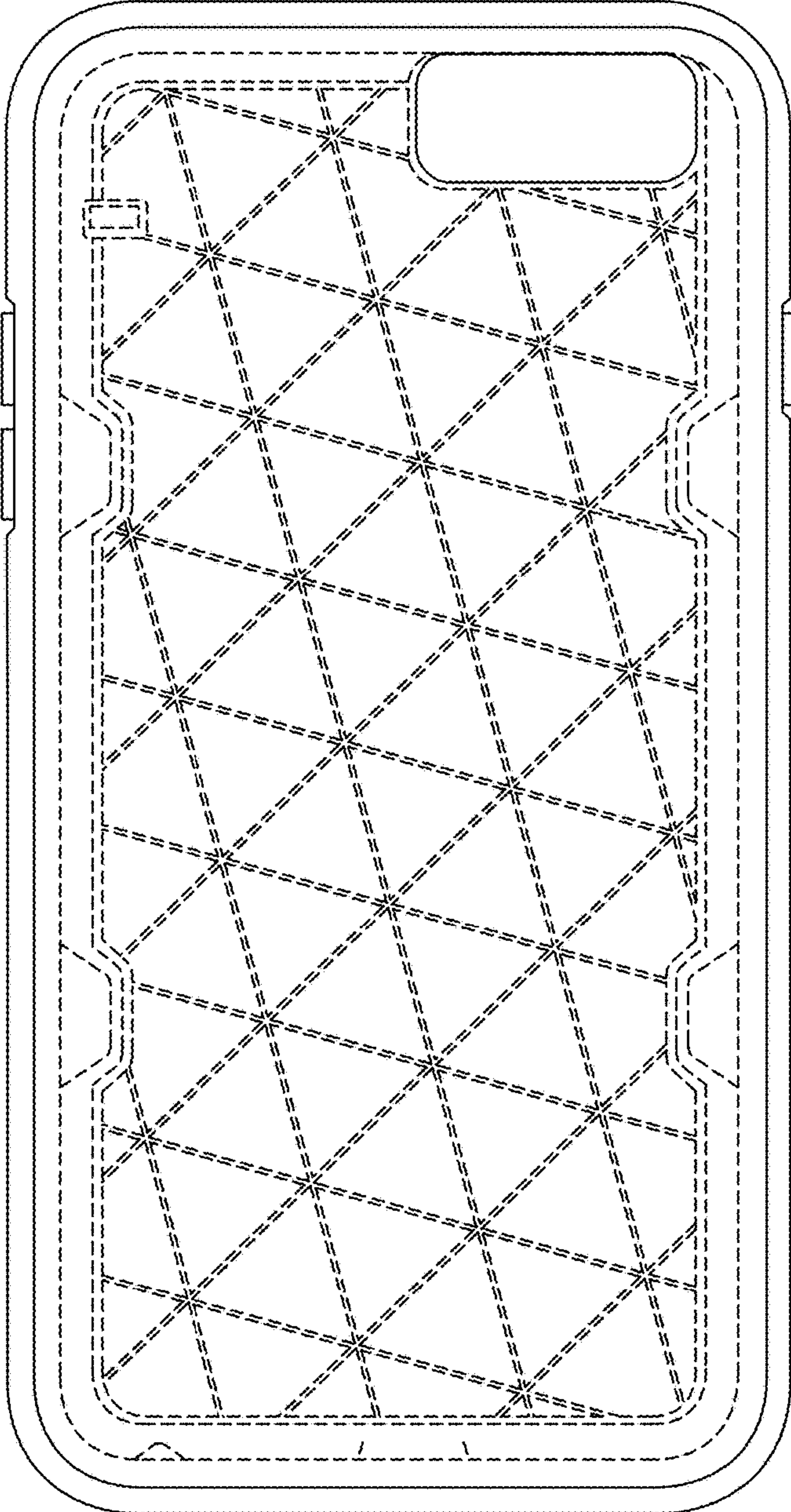


FIG. 3

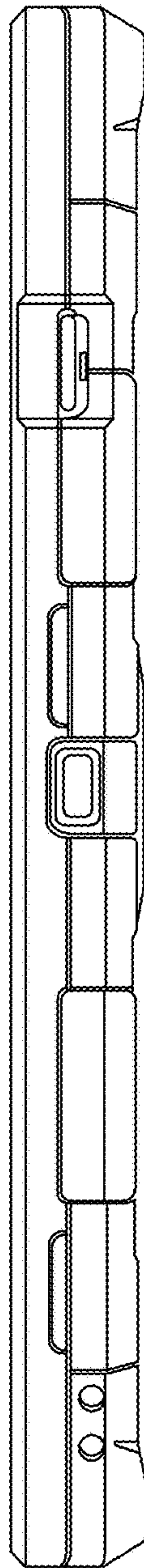


FIG. 4

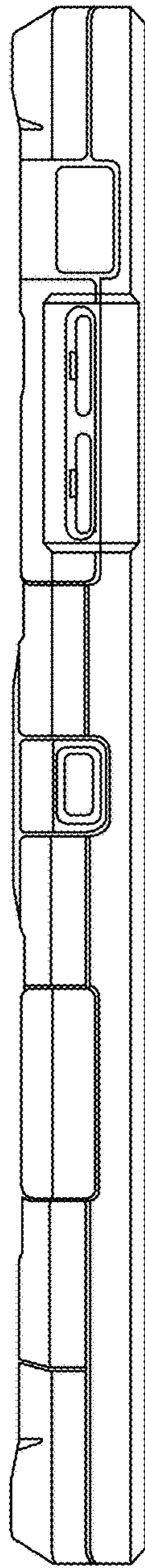


FIG. 5

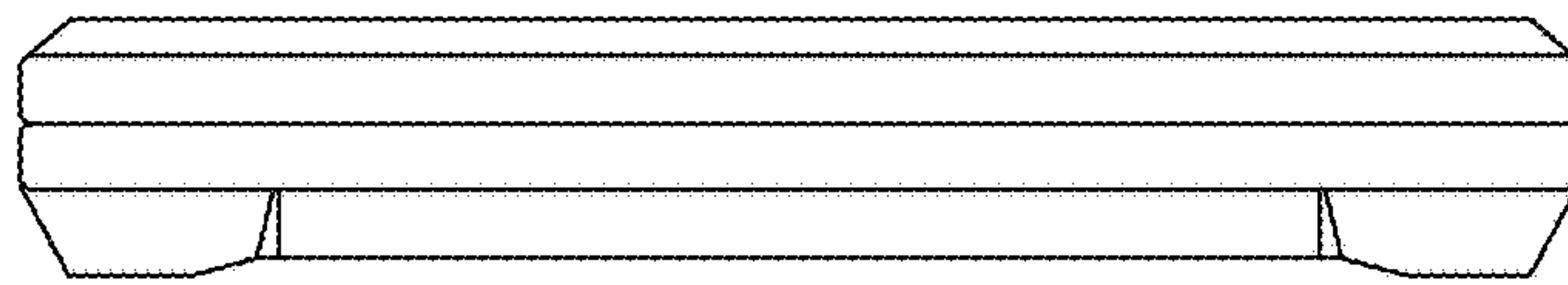


FIG. 6

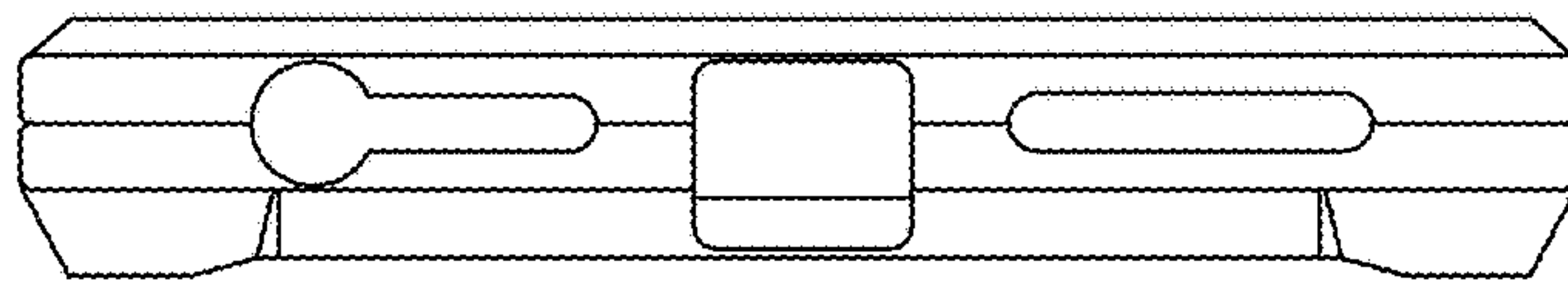


FIG. 7