



US00D868043S

(12) **United States Design Patent** (10) **Patent No.:** **US D868,043 S**  
**Doe** (45) **Date of Patent:** **\*\* \*Nov. 26, 2019**

(54) **COVER FOR WIRELESS SIGNAL BOXES**

(71) Applicant: **Doetaylor Limited**, London (GB)

(72) Inventor: **Andrew Doe**, London (GB)

(73) Assignee: **Doetaylor Limited**, London (GB)

(\*) Notice: This patent is subject to a terminal disclaimer.

(\*\*) Term: **15 Years**

(21) Appl. No.: **29/608,137**

(22) Filed: **Jun. 19, 2017**

(30) **Foreign Application Priority Data**

May 4, 2017 (EM) ..... 003933480-0001

(51) **LOC (12) Cl.** ..... **14-03**

(52) **U.S. Cl.**  
USPC ..... **D14/230**

(58) **Field of Classification Search**  
USPC ..... D3/201, 218, 226, 227, 247, 249, 250,  
D3/269, 303; D13/103, 107, 108, 119;  
D14/125, 137, 138 R, 138 AA, 138 C,  
D14/138 G, 172, 192, 140.1-140.6,  
D14/203.3-203.7, 217, 230, 238.1, 247,  
D14/248, 250-253, 440, 447, 496;  
D24/123, 204, 205; D30/161; D7/550,  
D7/553.7, 554.3, 554.4  
CPC ..... H04B 1/3888; H04M 1/0283; H04M  
1/0202; A45C 1/06; A45C 2011/002;  
A45C 11/00; A45F 2005/028; A45F  
2200/0525

See application file for complete search history.

(56) **References Cited**

**U.S. PATENT DOCUMENTS**

2,814,427 A \* 11/1957 Emery ..... B65D 1/34  
206/519  
D264,791 S \* 6/1982 Conti ..... D3/314

D288,396 S \* 2/1987 Ritman ..... D7/554.3  
D363,662 S \* 10/1995 Plater ..... D3/304  
D376,367 S \* 12/1996 Mailandt ..... D14/230  
D386,186 S \* 11/1997 Schnetzer ..... D14/230  
D415,656 S \* 10/1999 Henry ..... D7/354  
D432,361 S \* 10/2000 Jenkins ..... D7/554.3  
D432,866 S \* 10/2000 Harrison ..... D7/545  
D480,712 S \* 10/2003 Noro ..... D14/230  
D489,226 S \* 5/2004 De Neubourg ..... D7/554.3  
D550,659 S \* 9/2007 Noro ..... D14/230  
D619,361 S \* 7/2010 Andre ..... D3/269  
D639,000 S \* 5/2011 Weber ..... D30/161  
D641,327 S \* 7/2011 Falakfarsa ..... D14/125  
D643,712 S \* 8/2011 Samartgis ..... D9/424  
D673,533 S \* 1/2013 Ennabli ..... D14/230  
D687,679 S \* 8/2013 Mikulka ..... D7/553.2  
D714,452 S \* 9/2014 Koski ..... D24/169  
D719,153 S \* 12/2014 Linn ..... D14/356

(Continued)

*Primary Examiner* — Susan E Krakower

*Assistant Examiner* — L. A. Grabenstetter

(74) *Attorney, Agent, or Firm* — Levy & Grandinetti

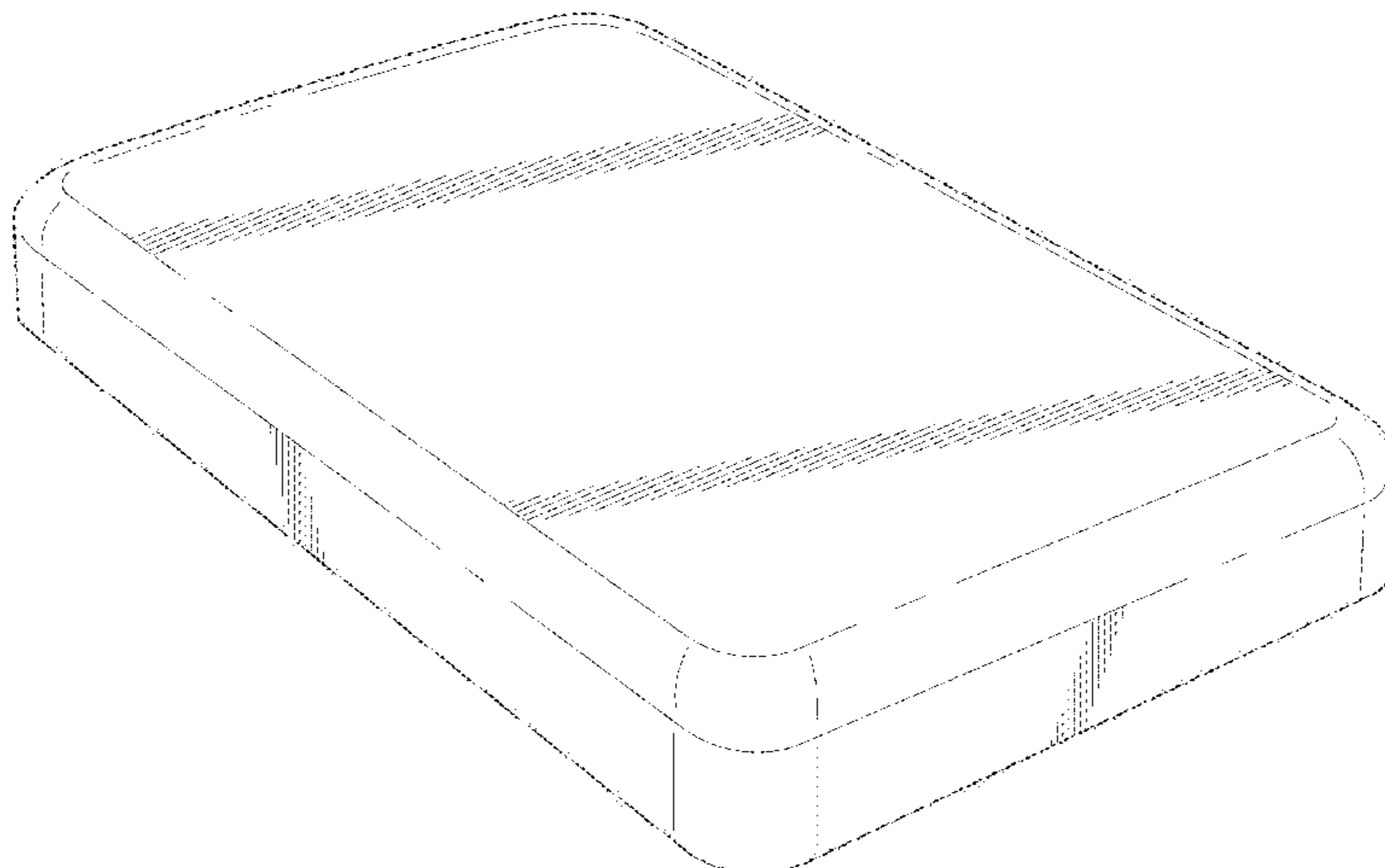
(57) **CLAIM**

The ornamental design for a cover for wireless signal boxes, as shown and described.

**DESCRIPTION**

FIG. 1 is a front perspective view of a cover for wireless signal boxes;  
FIG. 2 is a rear perspective view of the cover for wireless signal boxes of FIG. 1;  
FIG. 3 is a front view of the cover for wireless signal boxes of FIG. 1;  
FIG. 4 is a rear view of the cover for wireless signal boxes of FIG. 1;  
FIG. 5 is a short side or end view of the cover for wireless signal boxes of FIG. 1; and,  
FIG. 6 is a long side view of the cover for wireless signal boxes of FIG. 1.

**1 Claim, 6 Drawing Sheets**



(56)

**References Cited**

U.S. PATENT DOCUMENTS

D738,719 S	*	9/2015	Breton .....	D9/425
D743,359 S	*	11/2015	Tatem .....	D14/125
D749,062 S	*	2/2016	Callas .....	D14/230
D767,940 S	*	10/2016	Gross .....	D7/554.3
D774,023 S	*	12/2016	Fariello .....	D14/230
D779,497 S	*	2/2017	Meng .....	D14/440

\* cited by examiner

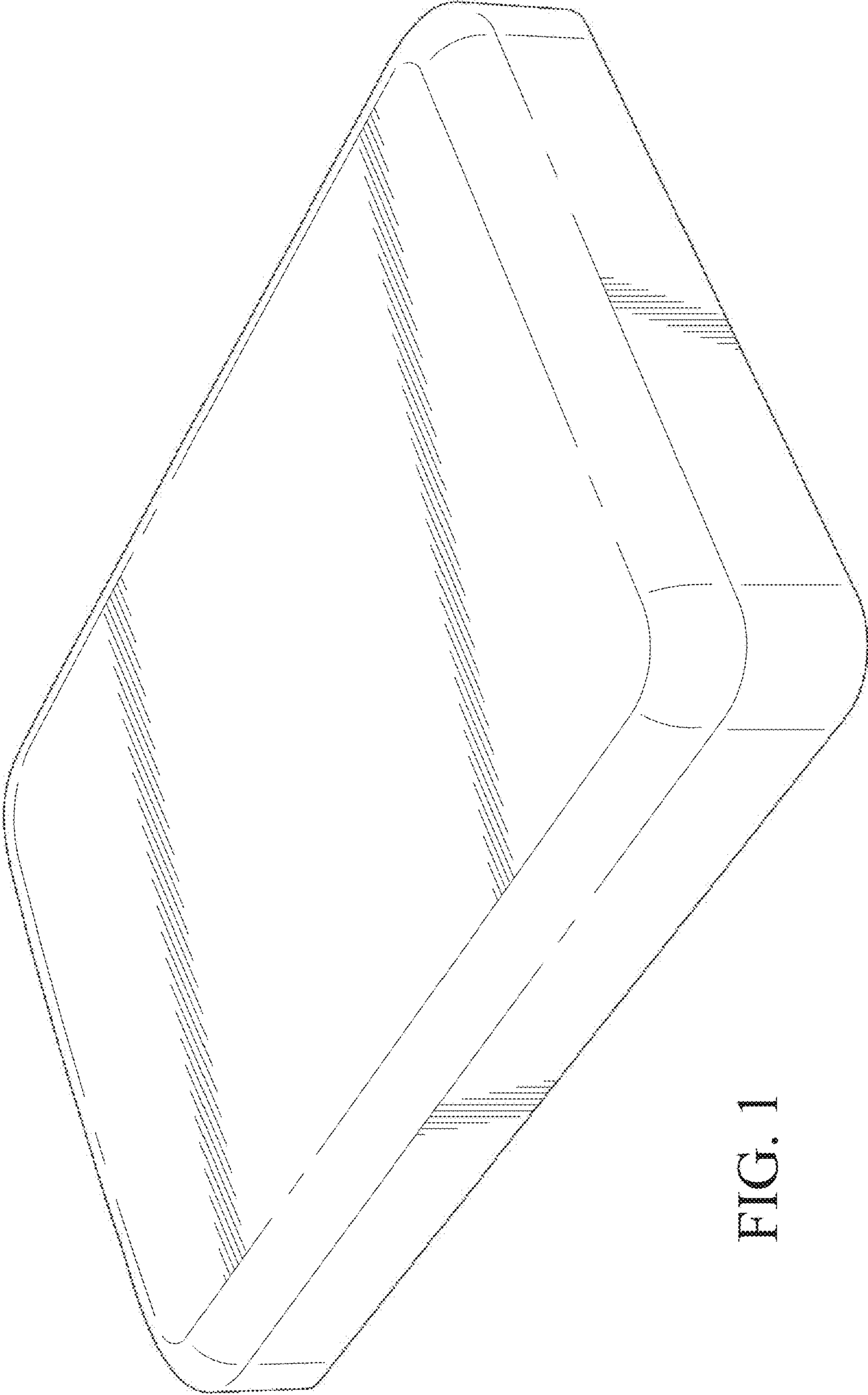


FIG. 1

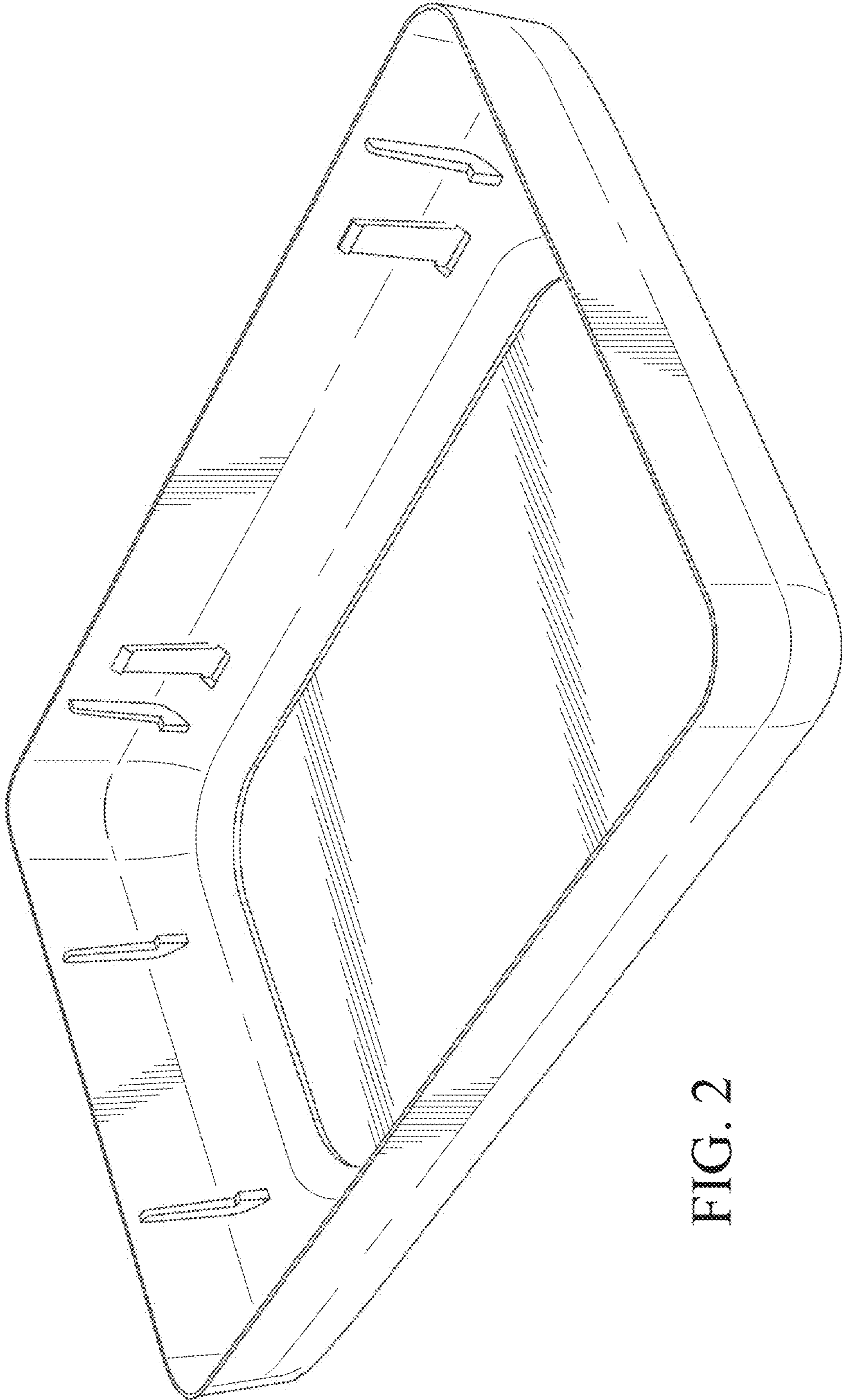


FIG. 2

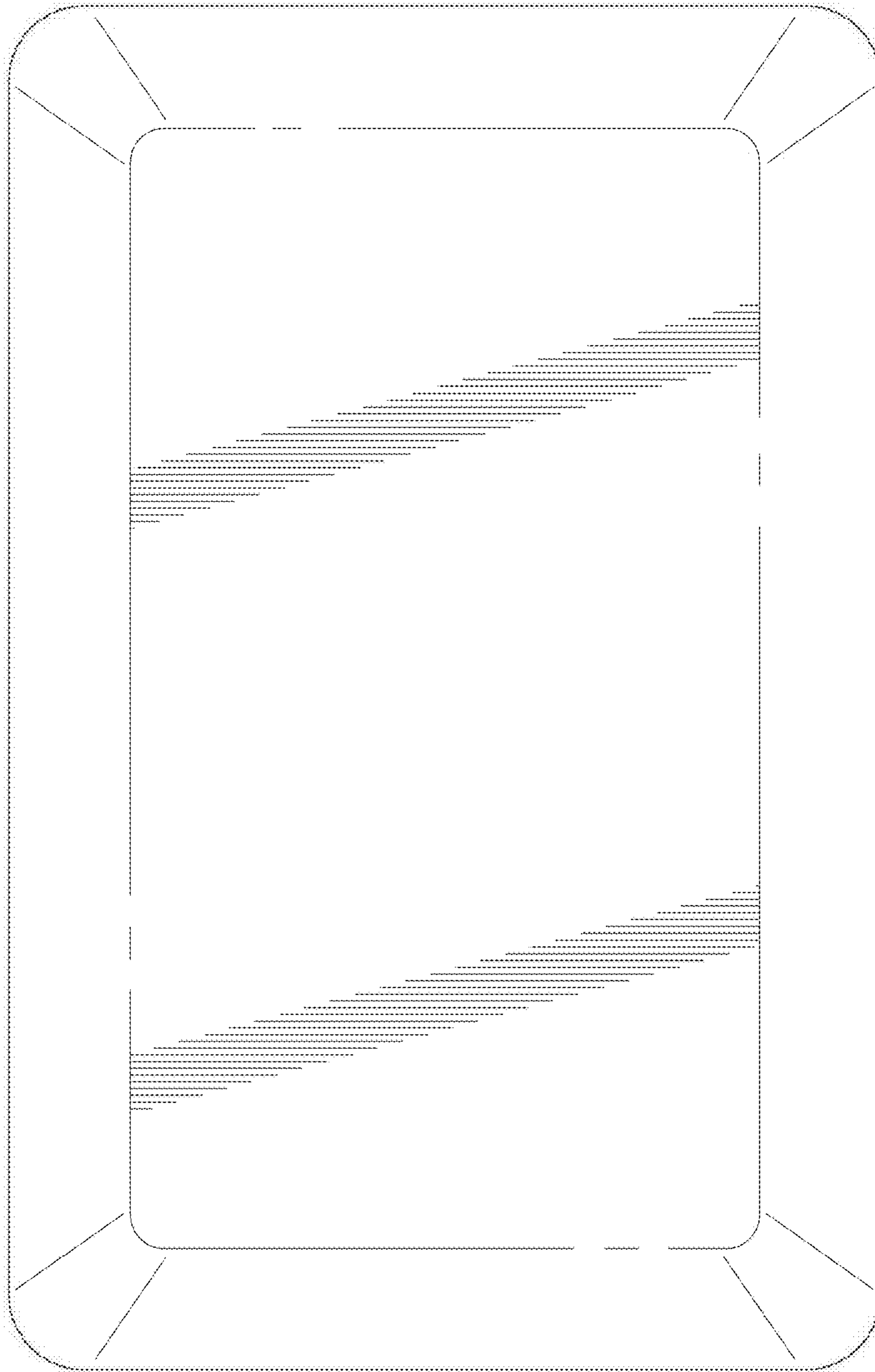


FIG. 3

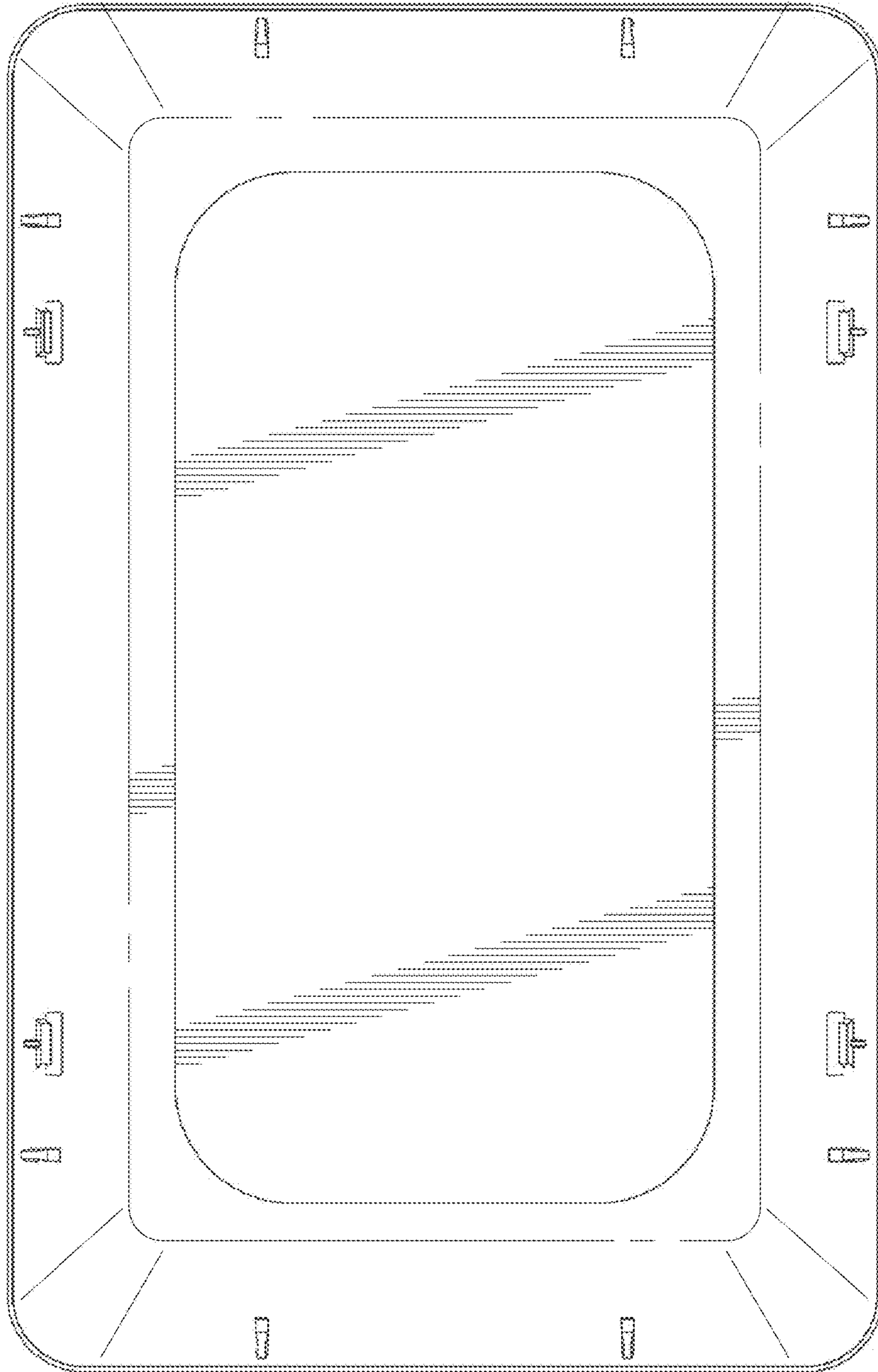


FIG. 4

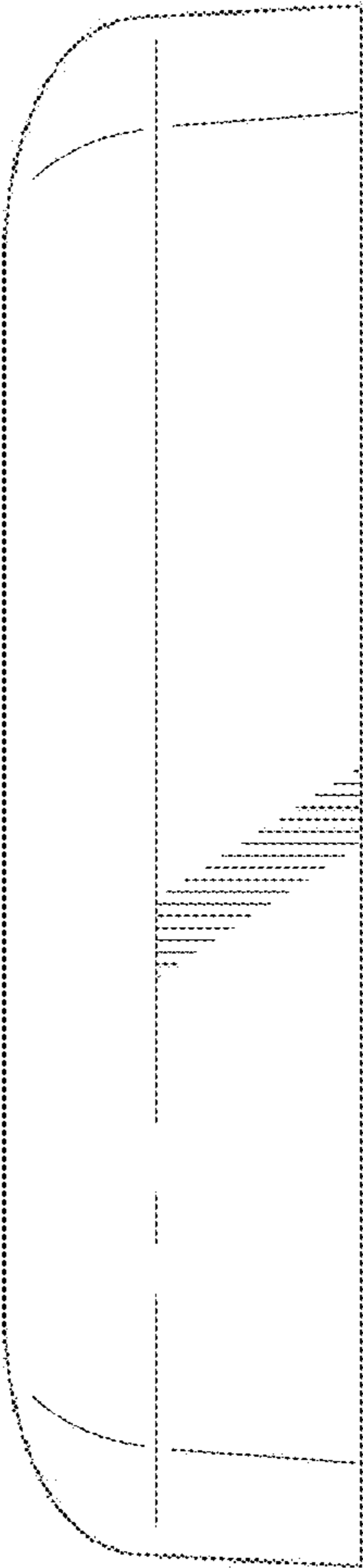


FIG. 5

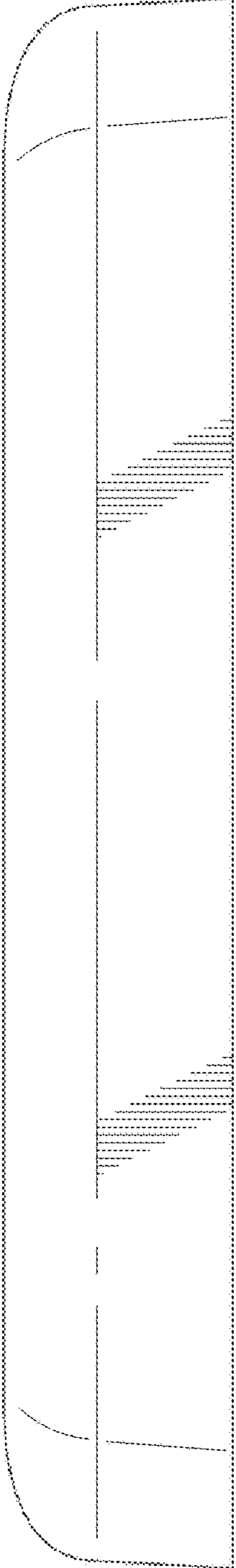


FIG. 6