

US00D868042S

(12) **United States Design Patent** (10) **Patent No.:** **US D868,042 S**
Yang (45) **Date of Patent:** **** *Nov. 26, 2019**

(54) KARAOKE MICROPHONE	4,694,499 A * 9/1987 Bartlett H04R 1/38 381/160
(71) Applicant: Bing Yang , Hubei Province (CN)	D295,759 S * 5/1988 Kolich D14/226
(72) Inventor: Bing Yang , Hubei Province (CN)	D296,435 S * 6/1988 Kubota D14/228
(*) Notice: This patent is subject to a terminal disclaimer.	4,817,153 A * 3/1989 Fernandez H04R 1/08 381/111
(**) Term: 15 Years	D310,368 S * 9/1990 Derhaag D14/225
(21) Appl. No.: 29/599,704	D317,472 S * 6/1991 Sasaki D14/225
	5,144,677 A * 9/1992 Asakura H04R 1/086 381/150
	D357,016 S * 4/1995 Li D14/155
	D376,803 S * 12/1996 Lee D14/497
	5,910,795 A * 6/1999 Whittaker H04N 5/2628 345/530

(Continued)

(22) Filed: **Apr. 6, 2017**

(51) **LOC (12) Cl.** **14-01**

(52) **U.S. Cl.**
USPC **D14/226**

(58) **Field of Classification Search**
USPC D14/225-228, 497, 188, 192, 168, 196;
D21/513; 84/454, 609, 610; 381/369,
381/111, 355, 155, 157, 160, 169, 359,
381/360-363, 368, 122, 188, 205, 158;
455/90.3, 575.1, 569.1
CPC . H04R 3/00; H04R 1/02; H04R 25/00; H04R
19/04; H04R 9/08; H04R 5/02; H04R
1/08; H04R 25/02; H04R 5/00; H04R
1/20; G10H 1/36; H05K 5/00; G09G
5/00; G09G 5/36; A47B 81/06
See application file for complete search history.

FOREIGN PATENT DOCUMENTS

CN 305316627 * 8/2019

Primary Examiner — Paula Allen Greene
(74) *Attorney, Agent, or Firm* — Justin Lampel

(57) **CLAIM**

The ornamental design for a karaoke microphone, as shown and described.

DESCRIPTION

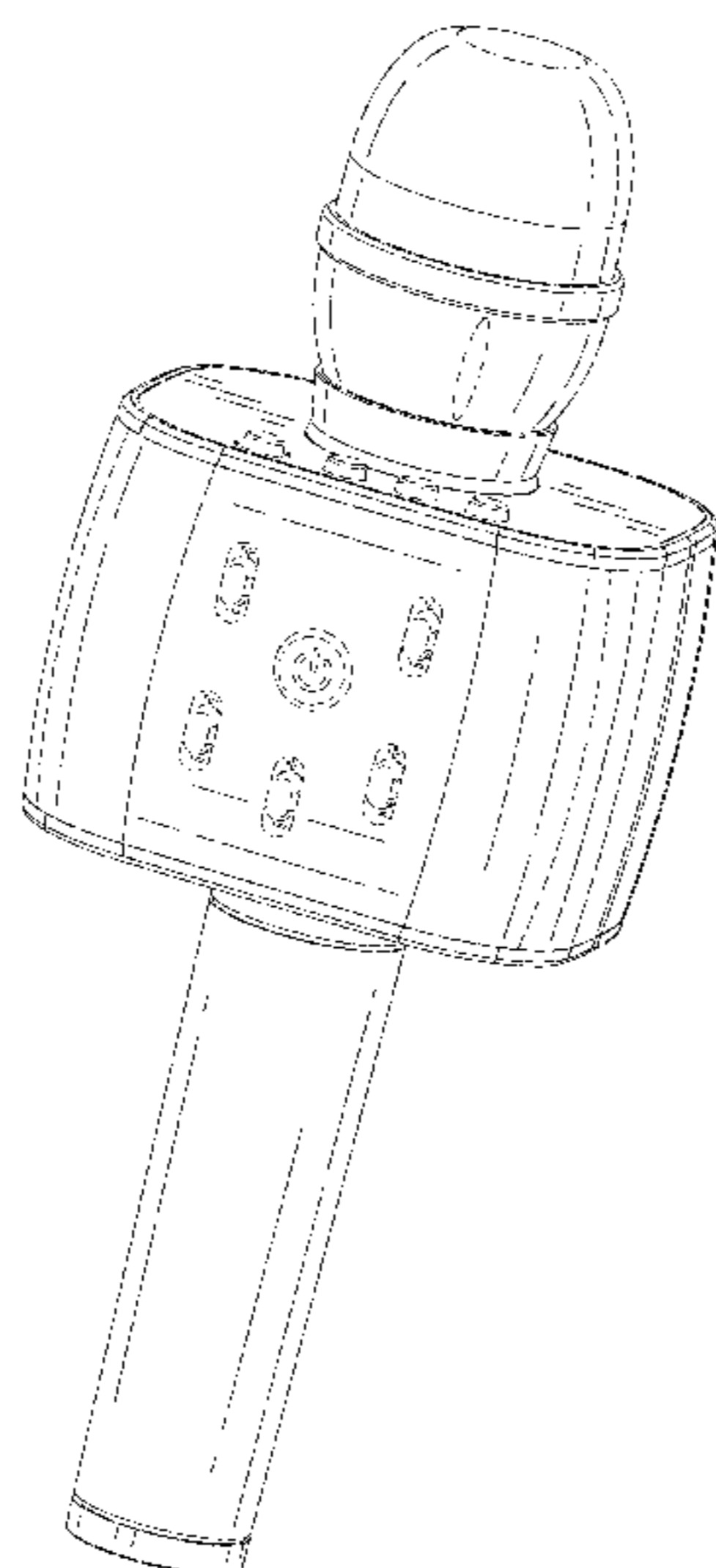
FIG. 1 is a perspective view of a karaoke microphone showing my new design;
FIG. 2 is a front elevational view thereof;
FIG. 3 is a rear elevational view thereof;
FIG. 4 is a right side view thereof;
FIG. 5 is a left side view thereof;
FIG. 6 is a bottom plan view thereof; and,
FIG. 7 is a top plan view thereof.

The broken lines immediately adjacent to the shaded areas represent the bounds of the claimed design while all other broken lines are directed to environment and are for illustrative purposes only; the broken lines form no part of the claimed design.

1 Claim, 7 Drawing Sheets

(56) **References Cited**
U.S. PATENT DOCUMENTS

3,527,902 A * 9/1970 Vanliempd H04R 1/38 381/355
4,065,648 A * 12/1977 Cvetko H04R 1/086 381/359
D247,705 S * 4/1978 Armstrong D14/228
D247,706 S * 4/1978 Armstrong D14/228
4,344,184 A * 8/1982 Edwards H04B 1/04 343/702
D277,852 S * 3/1985 Watson D14/228
D282,063 S * 1/1986 Watson D14/228



(56)

References Cited

U.S. PATENT DOCUMENTS

6,061,457 A * 5/2000 Stockhamer H04R 1/00
 367/140
 D449,041 S * 10/2001 Koike D14/228
 6,424,724 B1 * 7/2002 Ming-Cheng H04R 1/08
 381/355
 D462,343 S * 9/2002 Wang D14/225
 D462,947 S * 9/2002 Kung D14/228
 6,463,159 B1 * 10/2002 Ming-Cheng H04R 1/08
 381/355
 D475,699 S * 6/2003 Thornton D14/228
 D478,068 S * 8/2003 Sundquist D14/228
 D479,836 S * 9/2003 Thornton D14/228
 D495,319 S * 8/2004 Lee D14/226
 D498,232 S * 11/2004 Ruhrig D14/228
 D500,031 S * 12/2004 Hong D14/228
 D507,262 S * 7/2005 Liu D14/228
 D512,994 S * 12/2005 Lee D14/497
 D519,499 S * 4/2006 Lee D14/497
 D530,705 S * 10/2006 Shen D14/225
 D538,272 S * 3/2007 Lee D14/228
 D549,209 S * 8/2007 Bauman D14/155
 D557,691 S * 12/2007 Lee D14/228

D579,445 S * 10/2008 Lee D14/228
 D582,428 S * 12/2008 Lee D14/496
 D587,250 S * 2/2009 Cai D14/227
 D589,032 S * 3/2009 Lee D14/228
 D598,011 S * 8/2009 Thusbass D14/225
 D607,441 S * 1/2010 Yamakawa D14/225
 D612,367 S * 3/2010 Lee D14/228
 D615,529 S * 5/2010 Kearns D14/207
 D619,619 S * 7/2010 Lee D14/228
 D620,954 S * 8/2010 Lee D14/228
 D655,696 S * 3/2012 Lee D14/228
 D694,221 S * 11/2013 Shears D14/225
 8,965,026 B2 * 2/2015 Kamin-Lyndgaard
 H04N 5/772
 348/515
 D740,792 S * 10/2015 Jobetto D14/225
 D791,742 S * 7/2017 Lai D14/225
 D813,208 S * 3/2018 Nie D14/226
 10,334,340 B2 * 6/2019 Su H04R 1/08
 2005/0185811 A1 * 8/2005 Song H04R 19/005
 381/355
 2015/0098602 A1 * 4/2015 Levinsohn G09F 23/00
 381/361
 2017/0316767 A1 * 11/2017 You G10H 1/361

* cited by examiner

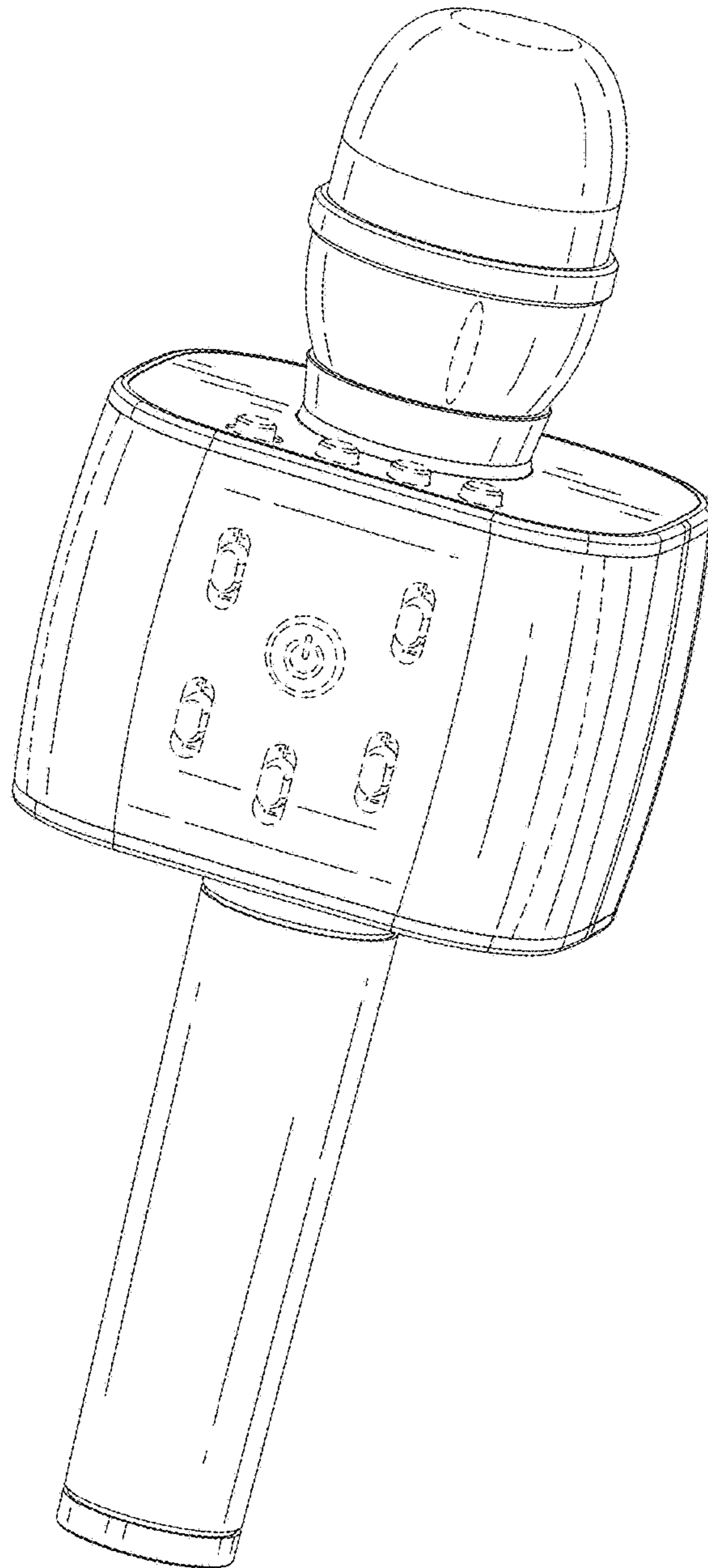


FIG. 1

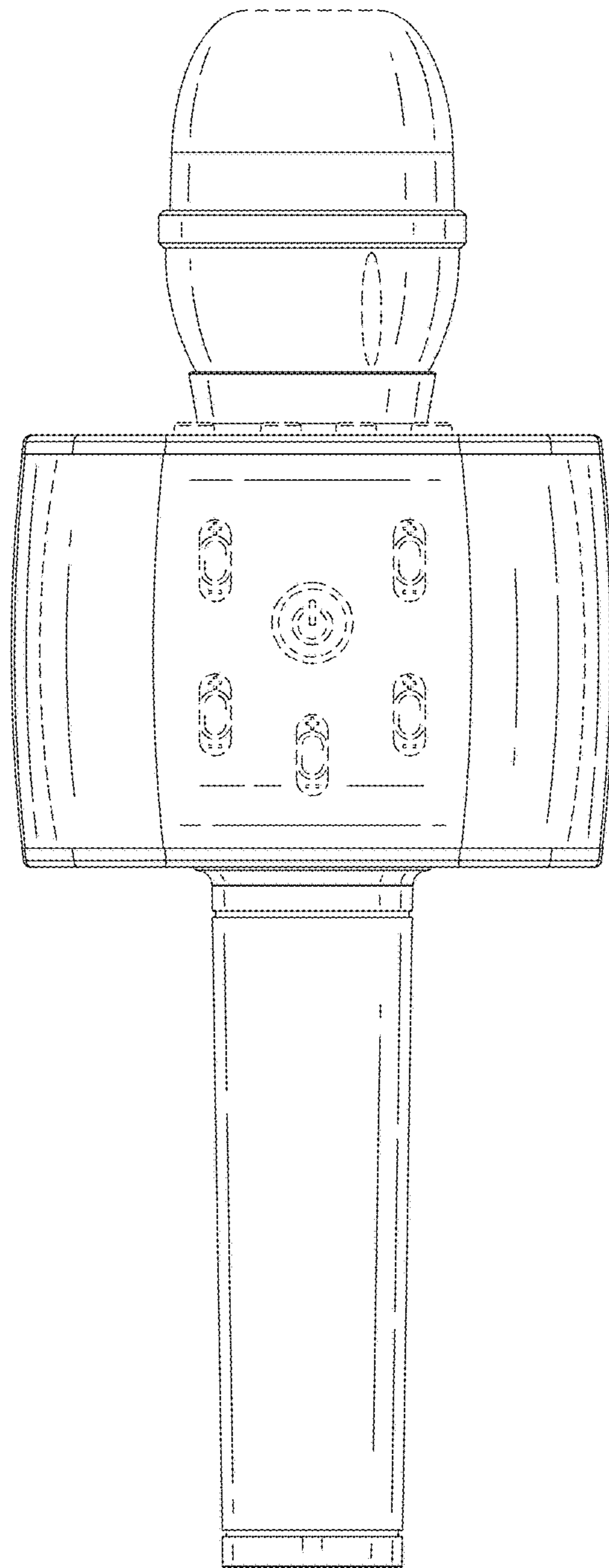


FIG. 2

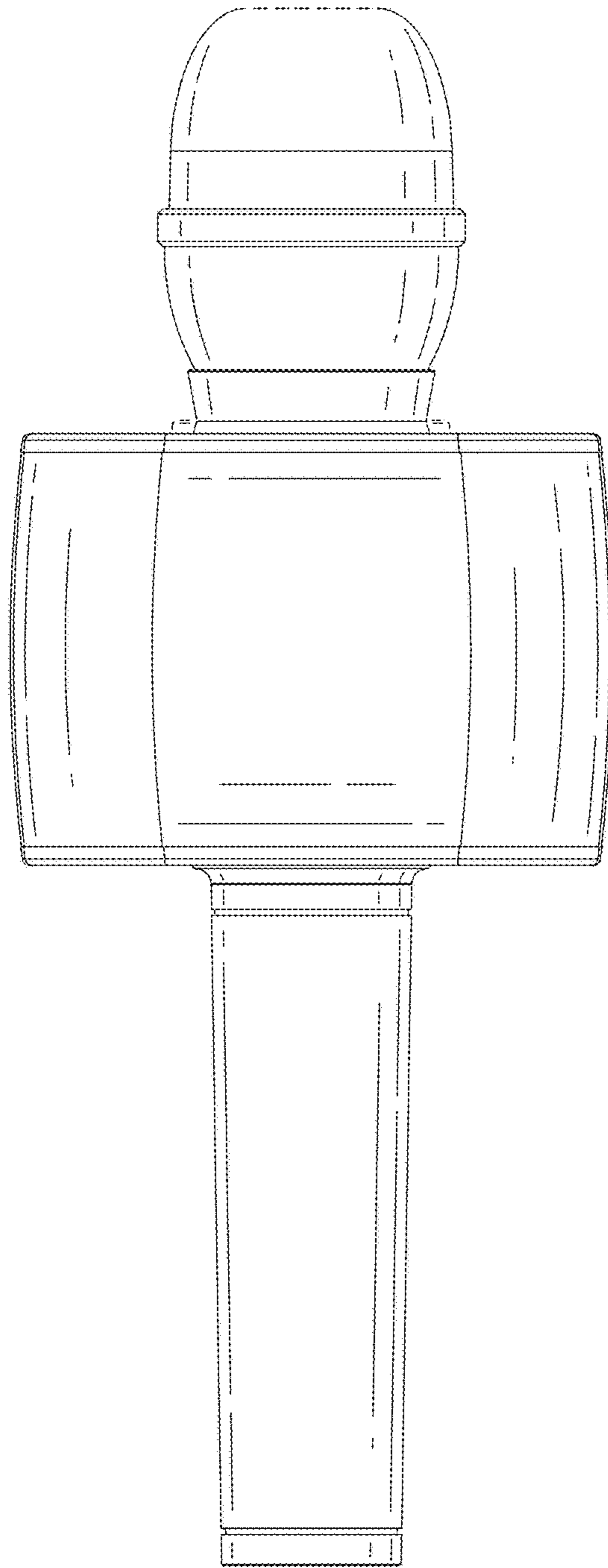


FIG. 3

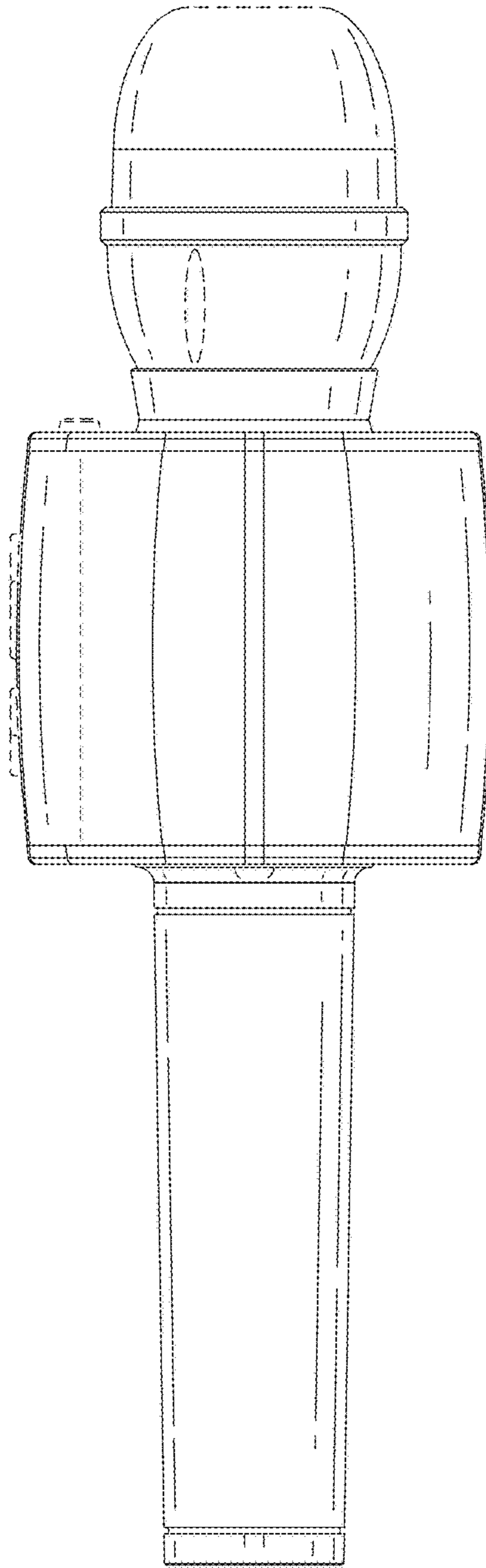


FIG. 4

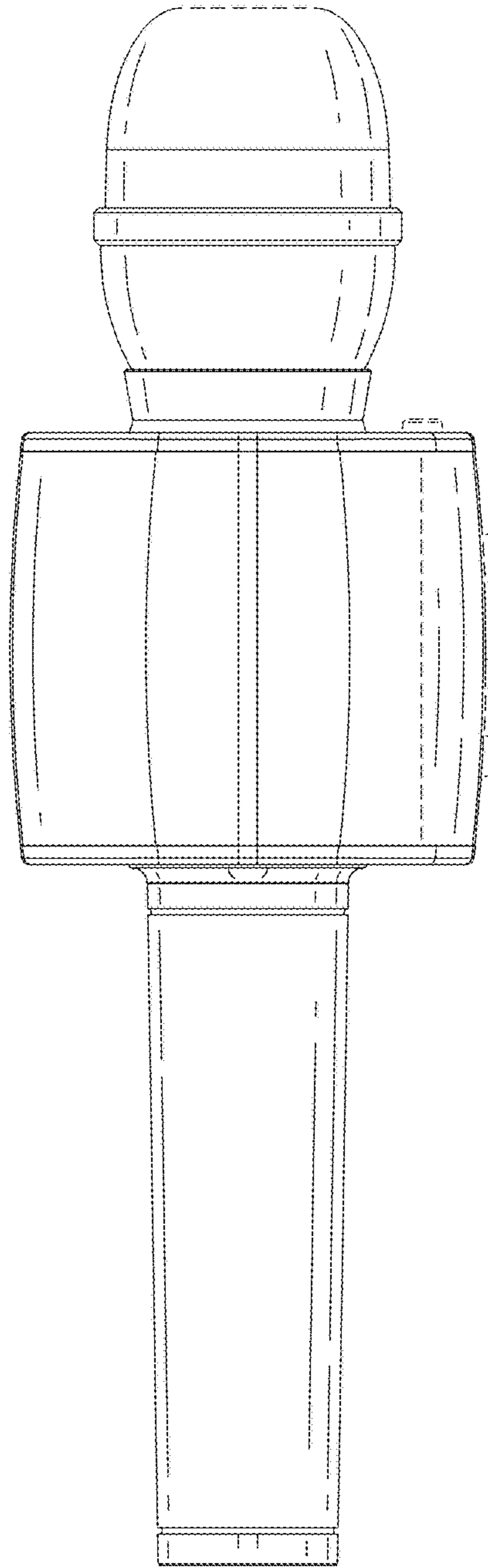


FIG. 5

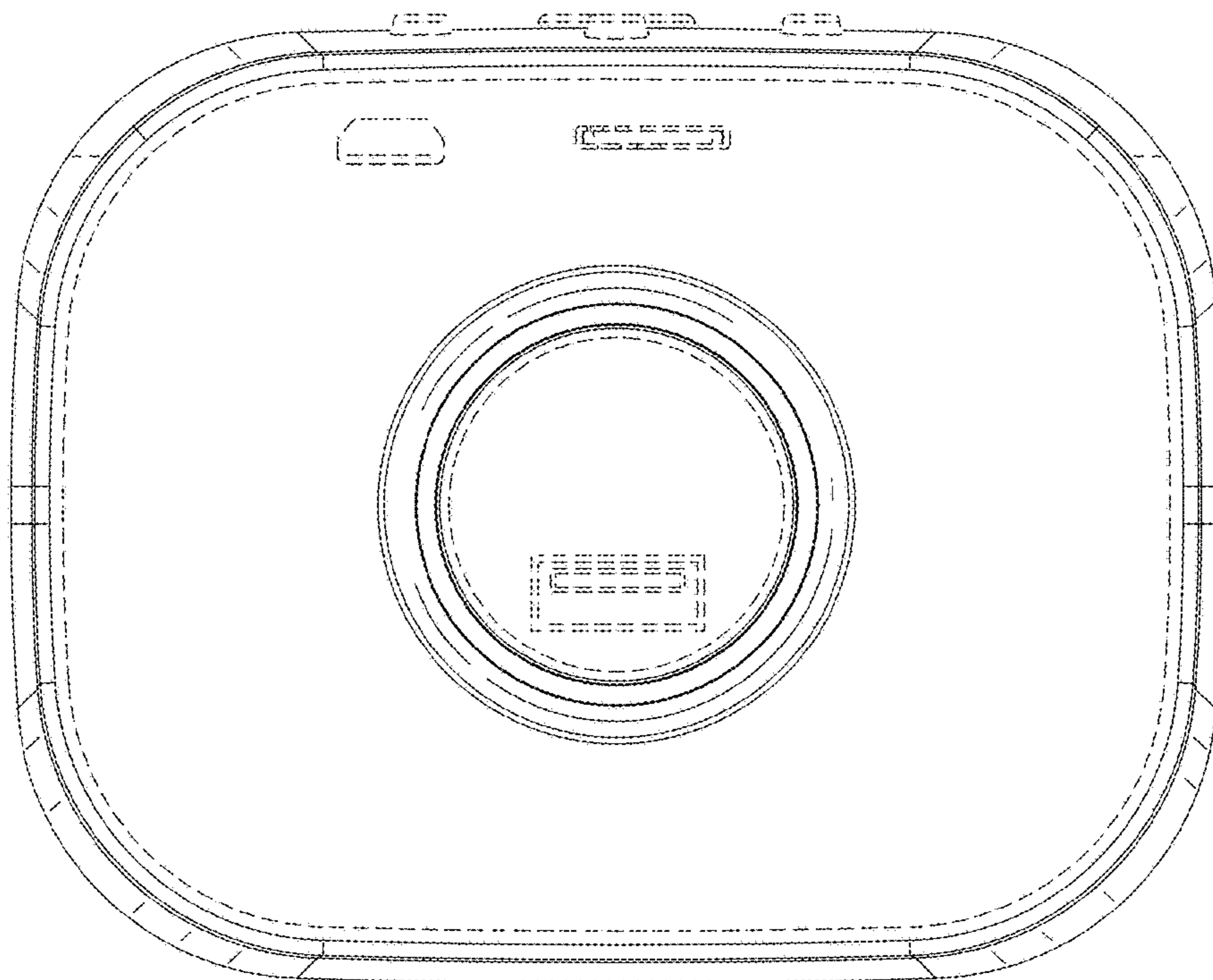


FIG. 6

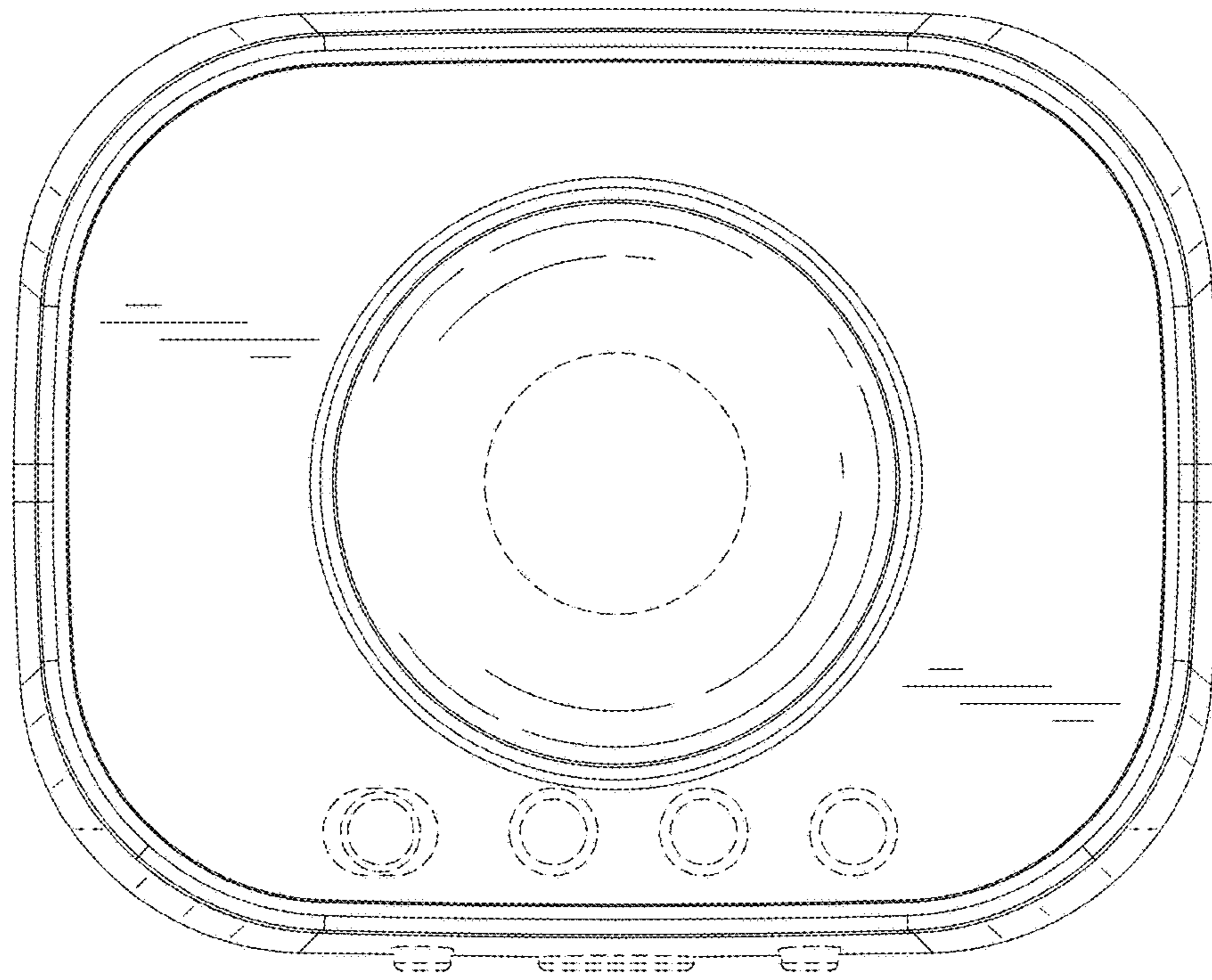


FIG. 7