



US00D868036S

(12) **United States Design Patent** (10) **Patent No.:** **US D868,036 S**
Sohn et al. (45) **Date of Patent:** **** Nov. 26, 2019**

(54) **WIRELESS REMOTE CONTROLLER**

D602,915 S * 10/2009 Song D14/218
D611,075 S * 3/2010 Cook D10/46
D632,265 S * 2/2011 Choi D13/168

(71) Applicant: **SAMSUNG ELECTRONICS CO., LTD.**, Suwon-si, Gyeonggi-do (KR)

(Continued)

(72) Inventors: **Jungjoo Sohn**, Seoul (KR); **Youngkyu Jin**, Seoul (KR); **Kyoungsoo Sun**, Seoul (KR)

FOREIGN PATENT DOCUMENTS

CN 304499224 * 2/2018
CN 304593374 * 4/2018

(Continued)

(73) Assignee: **SAMSUNG ELECTRONICS CO., LTD.**, Gyeonggi-Do (KR)

OTHER PUBLICATIONS

(**) Term: **15 Years**

Bed Bath & Beyond website, Anchor Locking Stackable Canisters, webaite reviews 2015, site visited Jan. 17, 2019, <https://www.bedbathandbeyond.com/store/product/anchor-hocking-reg-stackable-square-canisters/>.*

(21) Appl. No.: **29/625,230**

(Continued)

(22) Filed: **Nov. 8, 2017**

(30) **Foreign Application Priority Data**

Primary Examiner — John Windmuller

May 12, 2017 (KR) 30-2017-0021499

Assistant Examiner — John R Yeh

(51) **LOC (12) Cl.** **14-03**

(74) *Attorney, Agent, or Firm* — Cantor Colburn LLP

(52) **U.S. Cl.**
USPC **D14/218**

(57) **CLAIM**

(58) **Field of Classification Search**
USPC D14/218, 388; D13/168
CPC G07C 9/00103; G06F 3/0489; G08C 17/00
See application file for complete search history.

The ornamental design for a wireless remote controller, as shown and described.

DESCRIPTION

(56) **References Cited**

FIG. 1 is a front perspective view of a wireless remote controller, showing our new design;
FIG. 2 is a front view thereof;
FIG. 3 is a rear view thereof;
FIG. 4 is a left-side view thereof;
FIG. 5 is a right-side view thereof;
FIG. 6 is a top view thereof; and,
FIG. 7 is a bottom view thereof.

U.S. PATENT DOCUMENTS

D347,584 S * 6/1994 Vogelpohl D10/49
D362,841 S * 10/1995 Roza D13/171
D374,658 S * 10/1996 Bever D13/171
D492,311 S * 6/2004 Suzuki D14/218
D541,228 S * 4/2007 Thursfield D13/168
D542,234 S * 5/2007 Shimizu D13/168
D542,280 S * 5/2007 Taylor
D561,113 S * 2/2008 Samhammer D13/162
D570,300 S * 6/2008 Weinberg D13/174
D596,622 S * 7/2009 Lee D14/218
D598,008 S * 8/2009 Shimizu D13/168

The broken lines illustrating portions of the wireless remote controller form no part of the claimed design. The dot dash lines in the figures represent an unclaimed boundary line and form no part of the claimed design.

1 Claim, 3 Drawing Sheets

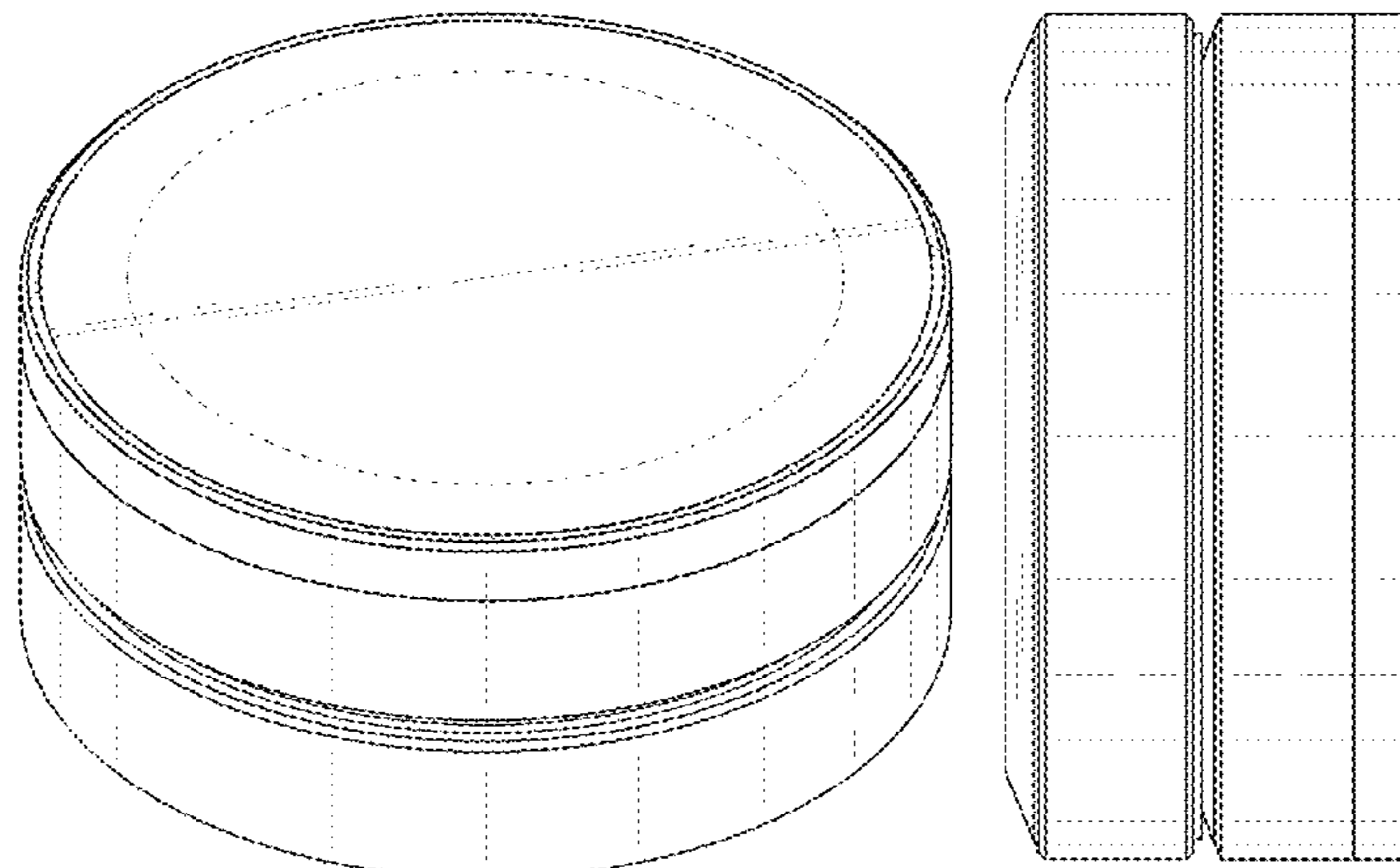


FIG.1

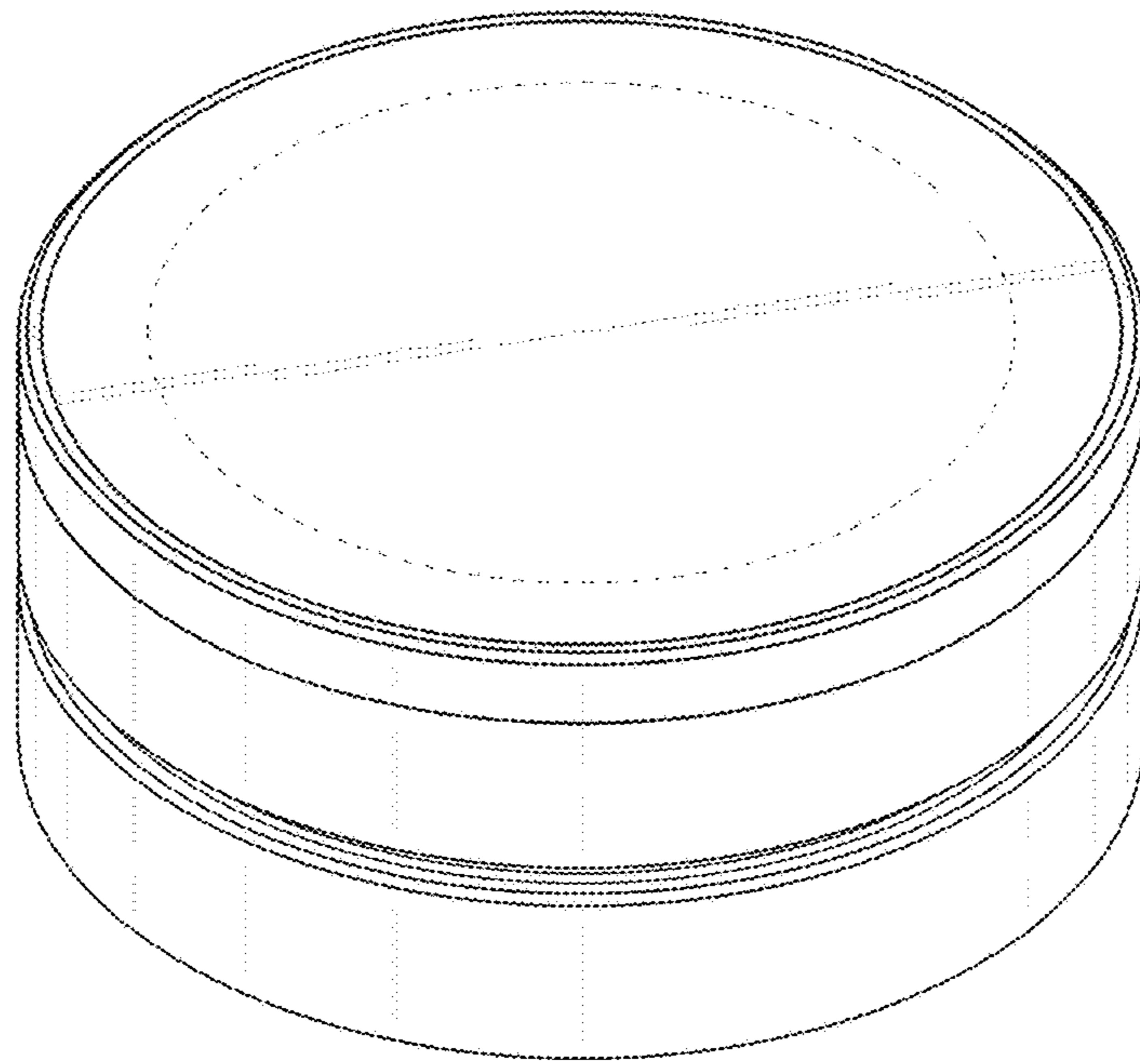


FIG.2

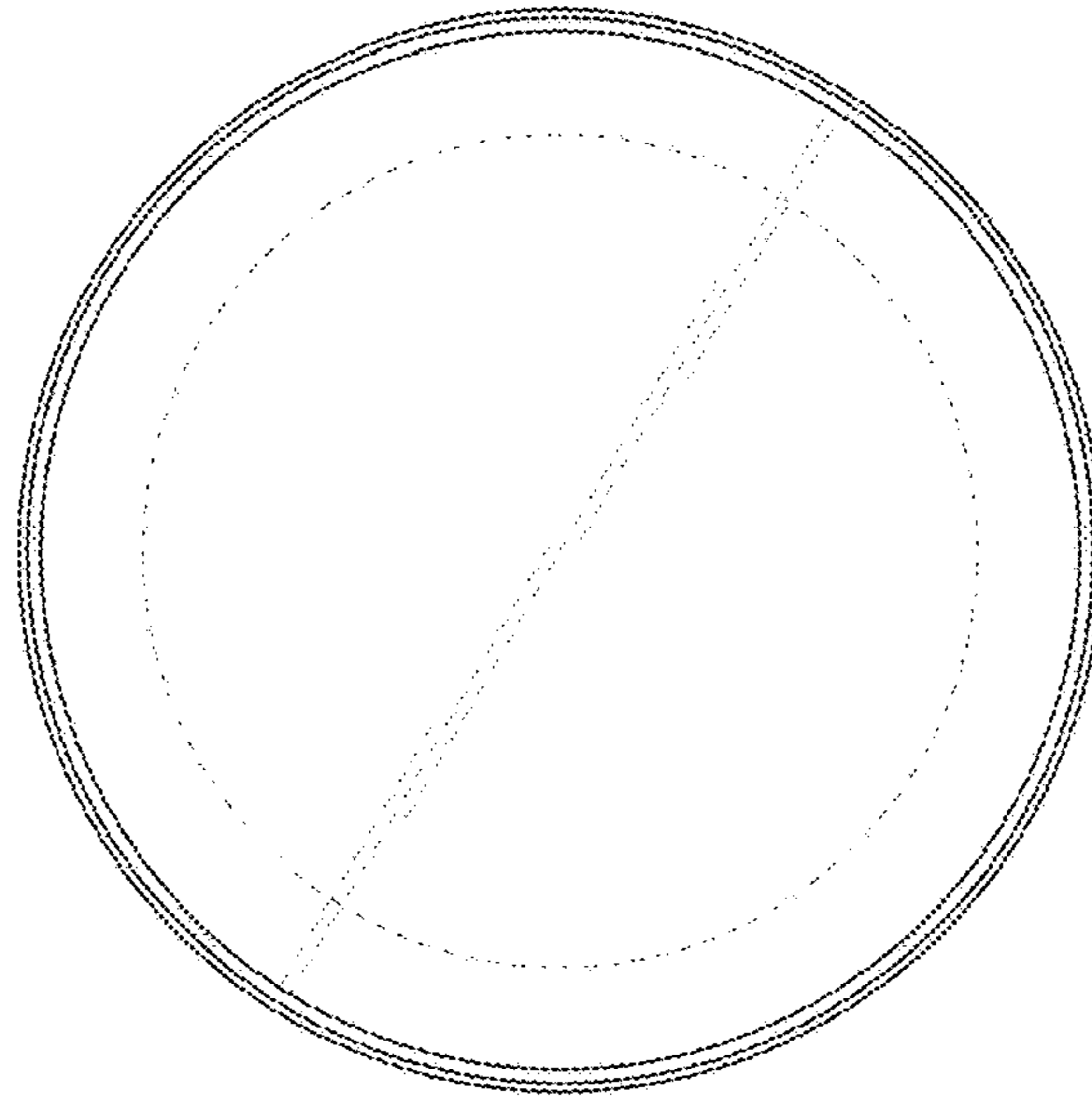


FIG.3

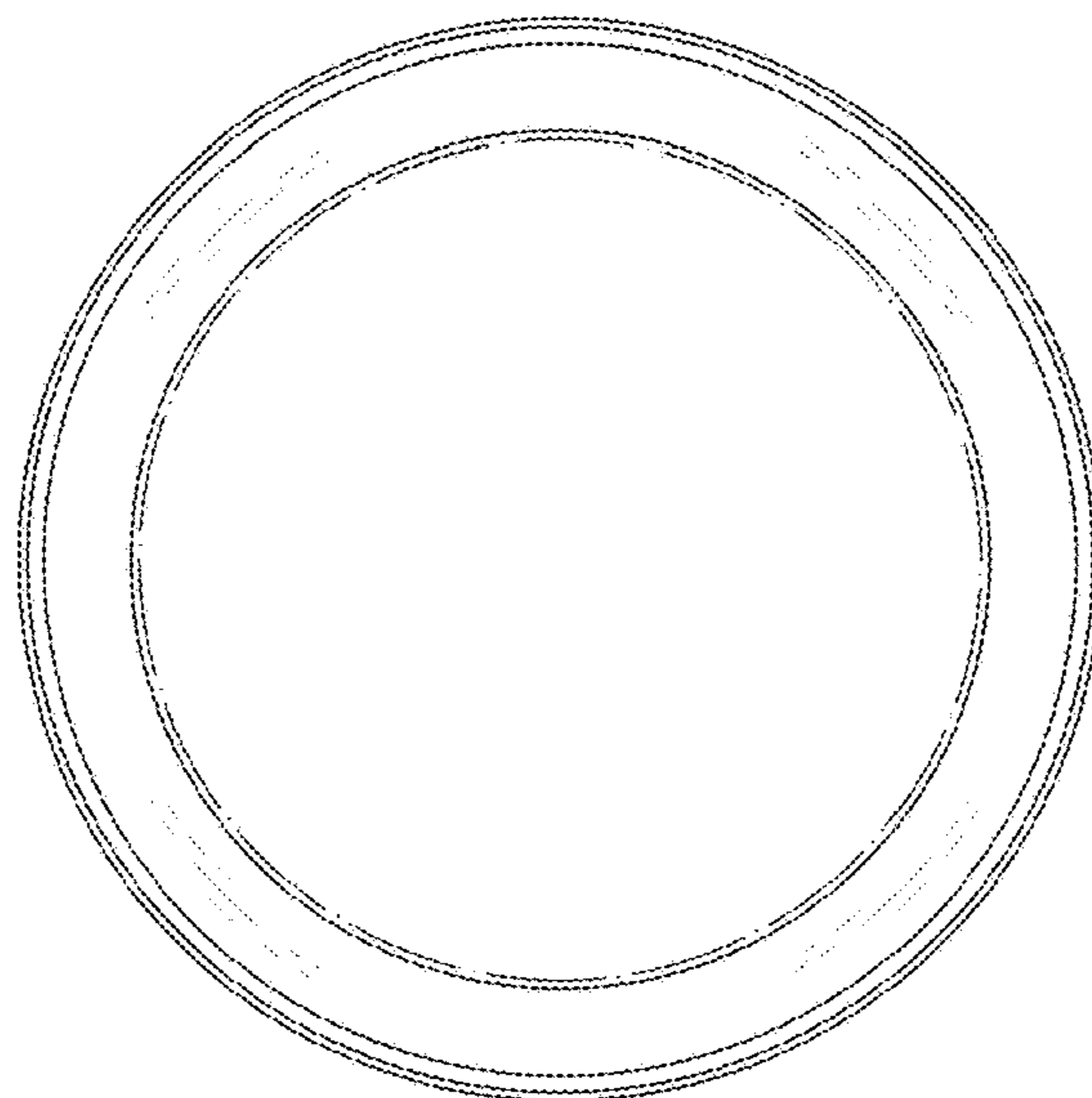


FIG.4

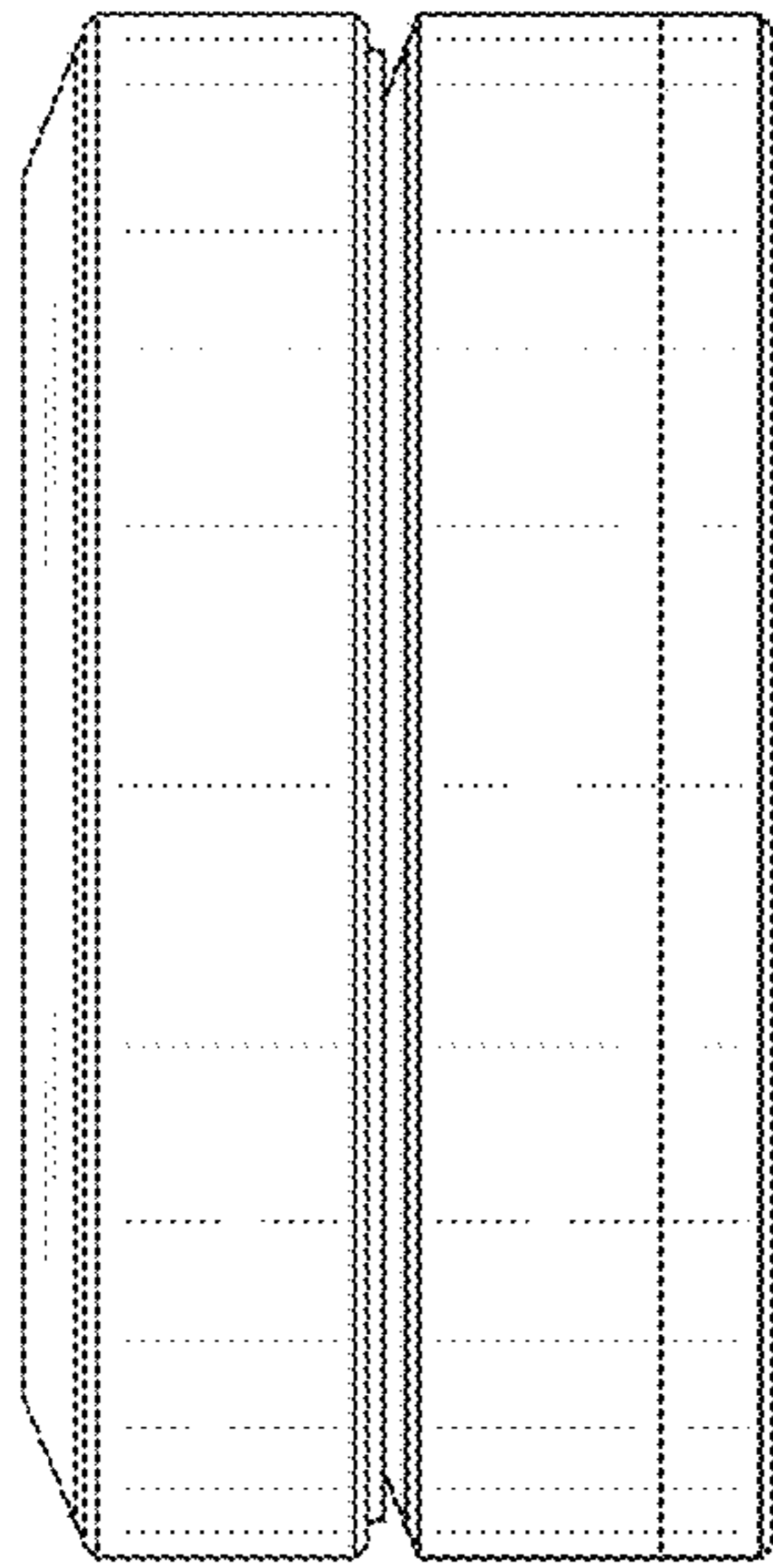


FIG.5

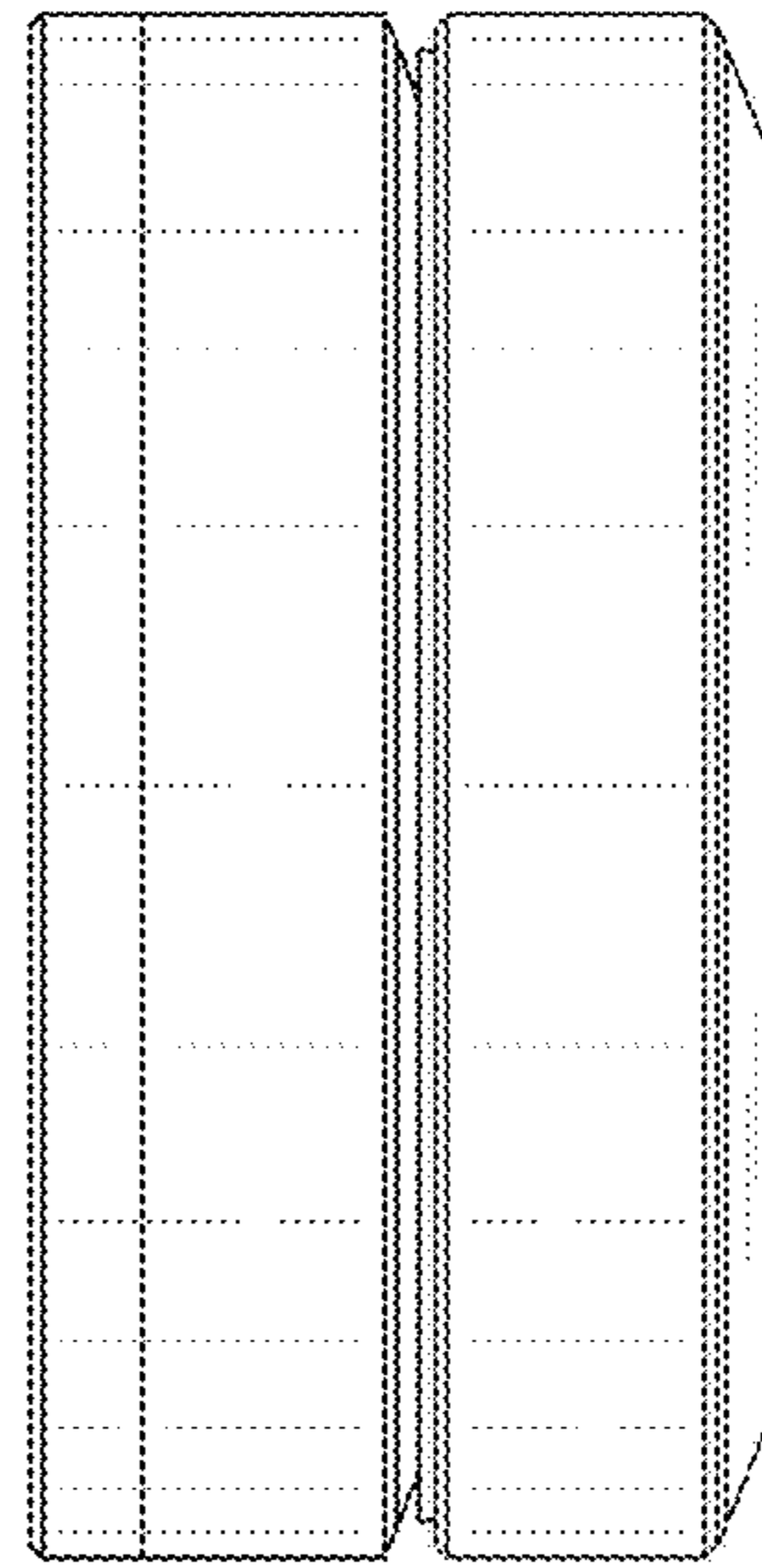


FIG.6

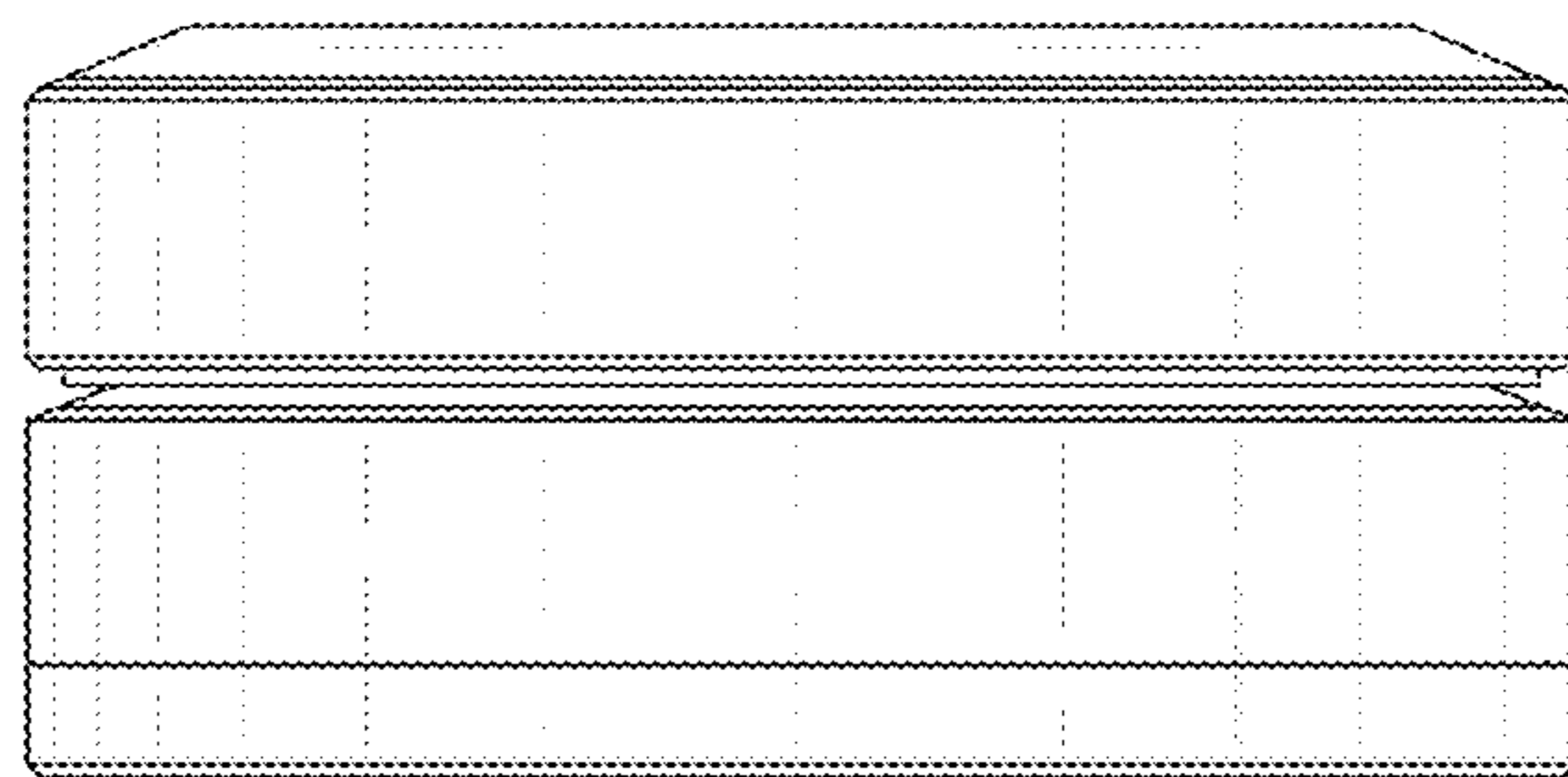


FIG.7

