



US00D868033S

(12) **United States Design Patent**
Luo

(10) **Patent No.:** **US D868,033 S**

(45) **Date of Patent:** **** Nov. 26, 2019**

(54) **LOUDSPEAKER**

(71) Applicant: **Shenzhen Weiking Technology Co., Ltd**, Shenzhen, Guangdong (CN)

(72) Inventor: **Fuguang Luo**, Guangdong (CN)

(73) Assignee: **Shenzhen Weiking Technology Co., Ltd**, Shenzhen (CN)

(**) Term: **15 Years**

(21) Appl. No.: **29/638,782**

(22) Filed: **Feb. 28, 2018**

(51) **LOC (12) Cl.** **14-01**

(52) **U.S. Cl.**
USPC **D14/216**

(58) **Field of Classification Search**
USPC D14/167, 168, 170–172, 188, 194–198, D14/204, 207, 209.1, 210–216, 219, 221, D14/222, 224, 496; 181/143, 144, 147, 181/148, 150, 153, 157, 198, 199; 369/6–12; 381/300–303, 306, 332–334, 381/336, 345, 361–364, 386–388
CPC B60R 11/0217; G06F 1/1688; G10K 9/22; G10K 11/004; H03F 1/327; H04M 1/03; H04M 1/035; H04N 5/642; H04N 21/4852; H04S 3/00; H04S 7/30; H04R 1/02; H04R 1/06; H04R 1/021; H04R 1/025; H04R 1/026; H04R 1/028; H04R 1/105; H04R 1/323; H04R 1/403; H04R 1/2803; H04R 1/2834; H04R 5/02; H04R 7/20; H04R 9/06; H04R 9/025; H04R 2201/021; H04R 2400/00; H04R 2400/07; H04R 2499/11; H04R 2499/13; H04R 2499/15

See application file for complete search history.

(56) **References Cited**

U.S. PATENT DOCUMENTS

D570,847 S * 6/2008 Chern D14/434
D616,420 S * 5/2010 Morimoto D14/216

D698,753 S * 2/2014 Yiu D14/216
D706,743 S * 6/2014 Lukic D14/204
D722,595 S * 2/2015 Mackiewicz D14/216
D726,155 S * 4/2015 Cheng D14/216
D726,684 S * 4/2015 Schmiedbauer D14/210
D726,686 S * 4/2015 Yoon D14/216
D727,298 S * 4/2015 Chang D14/216
D748,074 S * 1/2016 Schmiedbauer D14/210
D750,597 S * 3/2016 Fischer D14/216
D758,348 S * 6/2016 Lukic D14/216

(Continued)

FOREIGN PATENT DOCUMENTS

KR 20180012153 * 2/2018

OTHER PUBLICATIONS

Weiking BT223 Portable Bluetooth Speaker Sound tube-S, Weiking.cn, [online], [site visited Jun. 20, 2019]. URL: <http://www.weiking.cn/default.asp?id=4066> (Year: 2019).*

(Continued)

Primary Examiner — T Chase Nelson
Assistant Examiner — Jonathan J. Han

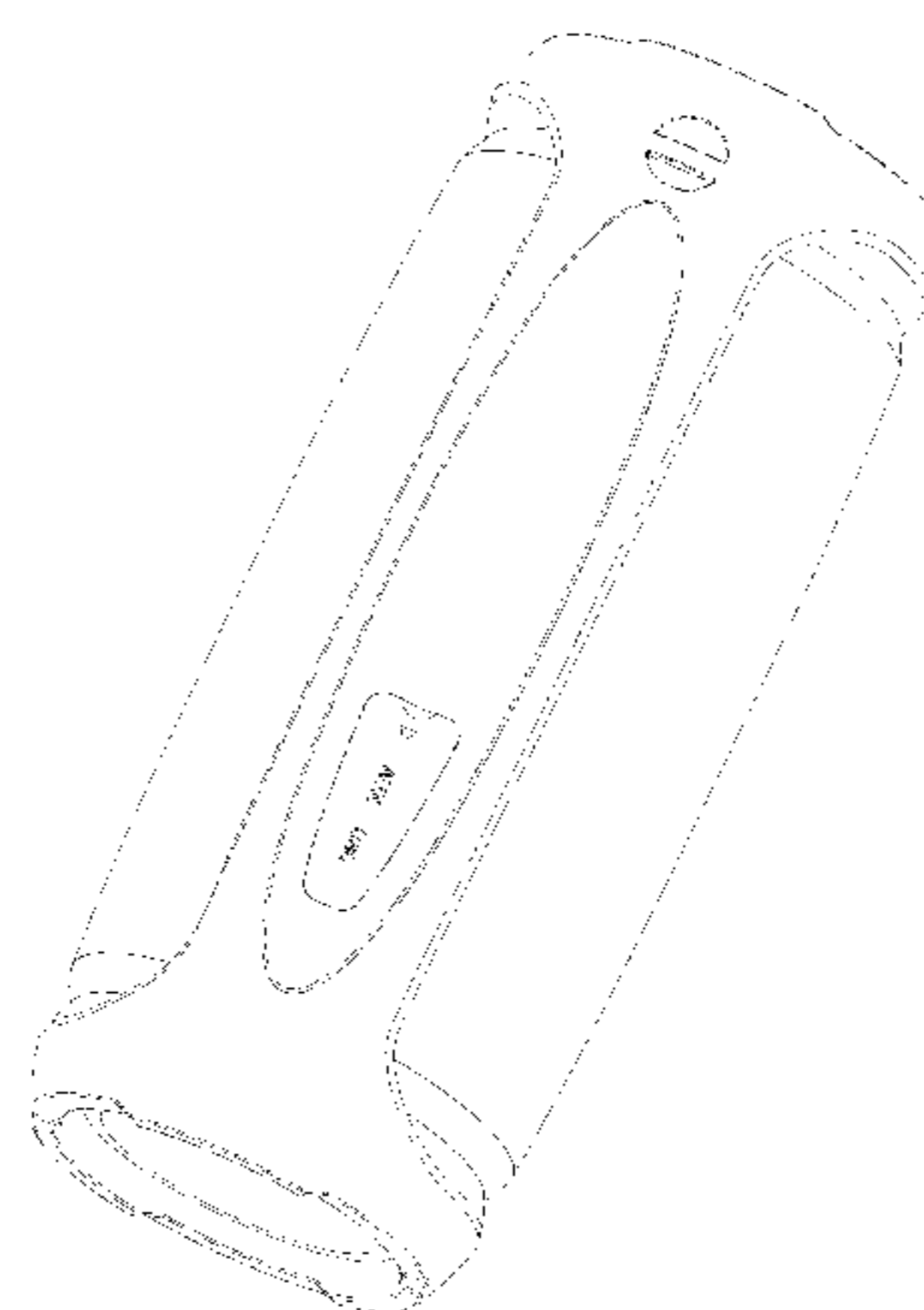
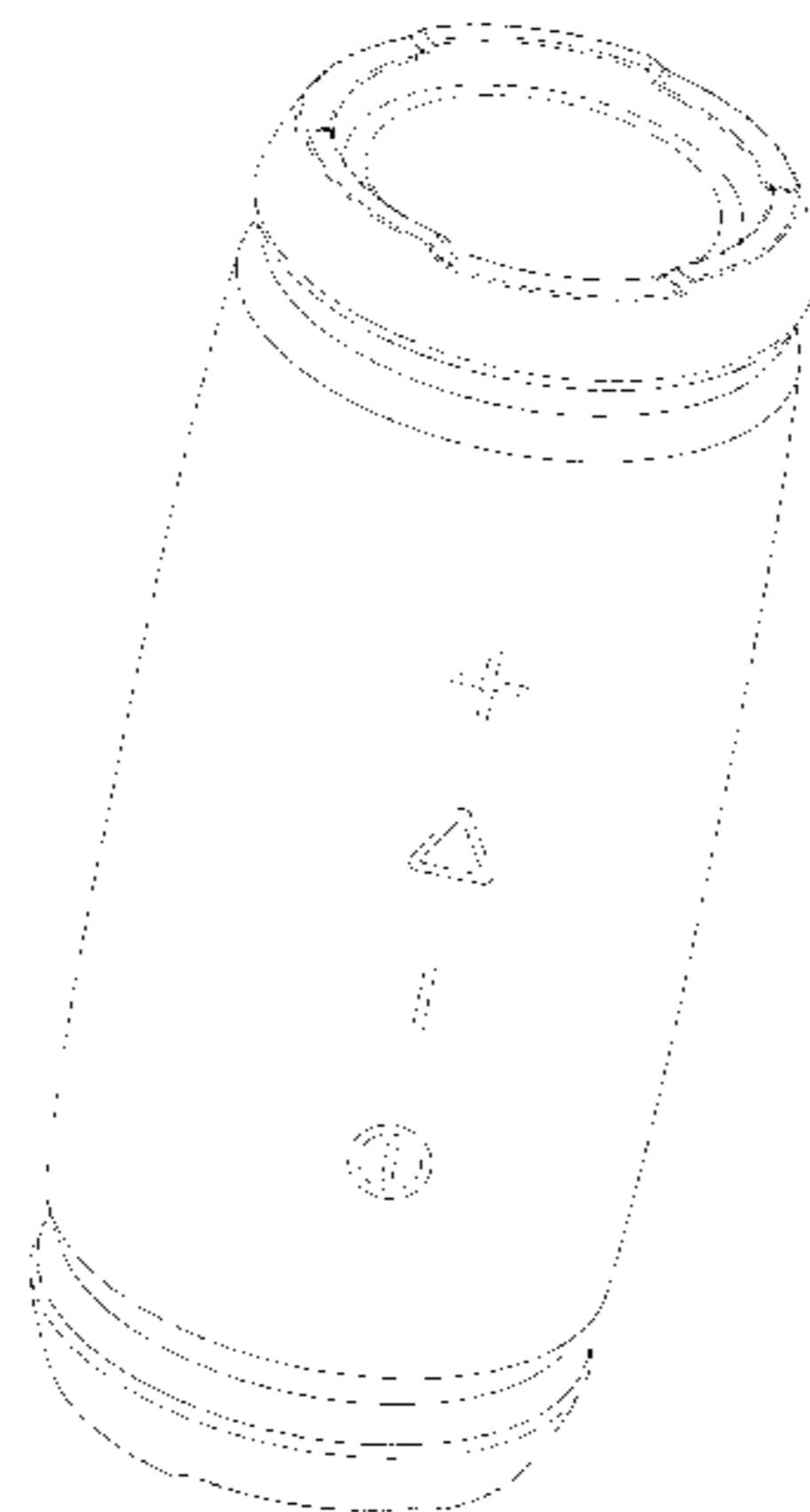
(57) **CLAIM**

The ornamental design for a loudspeaker, as shown and described.

DESCRIPTION

FIG. 1 is a front elevational view of a loudspeaker showing my new design;
FIG. 2 is a rear elevational view thereof;
FIG. 3 is a left side view thereof;
FIG. 4 is a right side view thereof;
FIG. 5 is a top plan view thereof;
FIG. 6 is a bottom plan view thereof;
FIG. 7 is a front perspective view thereof;
FIG. 8 is a rear perspective view thereof; and,
FIG. 9 is a left side perspective view thereof.

1 Claim, 9 Drawing Sheets



(56)

References Cited

U.S. PATENT DOCUMENTS

D759,632	S	*	6/2016	Fischer	D14/204
D760,195	S	*	6/2016	Lukic	D14/216
D765,618	S	*	9/2016	Alves	D14/216
D771,141	S	*	11/2016	Langhammer	D14/496
D780,153	S	*	2/2017	Lukic	D14/204
D788,070	S	*	5/2017	Lukic	D14/204
D793,993	S	*	8/2017	Song	D14/214
D798,268	S	*	9/2017	Fang	D14/216
D800,699	S	*	10/2017	Fischer	D14/216
D801,310	S	*	10/2017	Kachwalla	D14/216
D803,813	S	*	11/2017	Rouffiat	D14/216
D807,320	S	*	1/2018	Wong	D14/204
D811,368	S	*	2/2018	Fischer	D14/216
D816,322	S	*	5/2018	Choe	D3/201
D825,528	S	*	8/2018	Huang	D14/216
D831,002	S	*	10/2018	Distefano	D14/216
D834,001	S	*	11/2018	Jeon	D14/216
D838,255	S	*	1/2019	Wang	D14/204
D839,855	S	*	2/2019	Park	D14/216
D848,397	S	*	5/2019	Alves	D14/216
D849,794	S	*	5/2019	You	D14/497

OTHER PUBLICATIONS

Weiking BT223 large output waterproof surround Bluetooth speaker with fabric speaker grill, Alibaba.com, [online], [site visited Jun. 20, 2019]. URL: https://szweiking.en.alibaba.com/product/60758923414-213868099/Weiking_BT223_large_output_waterproof_surround_sound_Bluetooth_speaker (Year: 2019).*

JBL Xtreme Portable Wireless Bluetooth Speaker (Black), Amazon.com, Date first listed on Amazon: Sep. 1, 2015, [online], [site visited Jun. 20, 2019]. URL: <https://www.amazon.com/JBL-Portable-Wireless-Bluetooth-Speaker/dp/B014QQAM8I> (Year: 2015).*

Havit E30 TWS Bluetooth Speaker, ProHavit.com, [online], [site visited Jun. 20, 2019]. URL: <https://www.prohavit.com/products/havit-e30-tws-bluetooth-speaker/> (Year: 2019).*

JBL Flip 4 Black Wireless Portable Stereo Speaker—JBLFLIP4BLKAM, ABT.com, [online], [site visited Jun. 20, 2019]. URL: <https://www.abt.com/product/108922/JBL-Flip-4-Black-Wireless-Portable-Stereo-Speaker-JBLFLIP4BLKAM.html> (Year: 2019).*

* cited by examiner

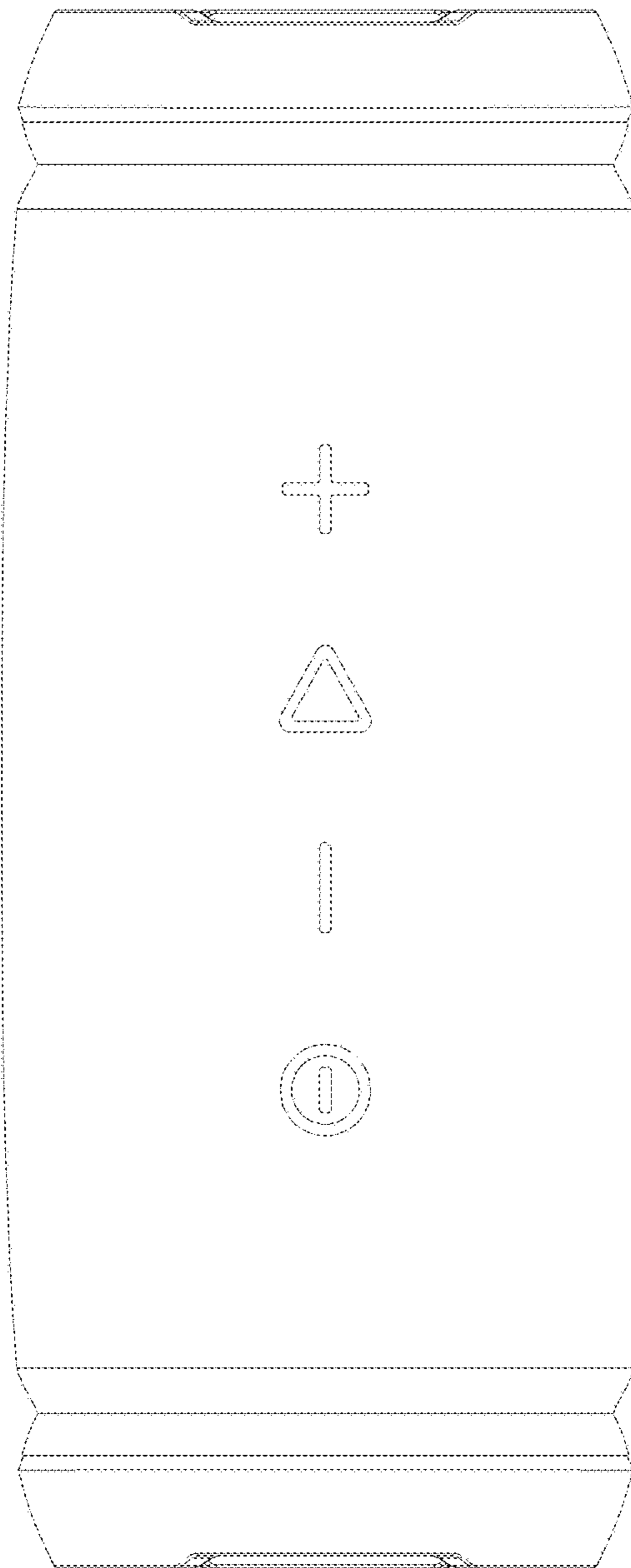


Fig. 1

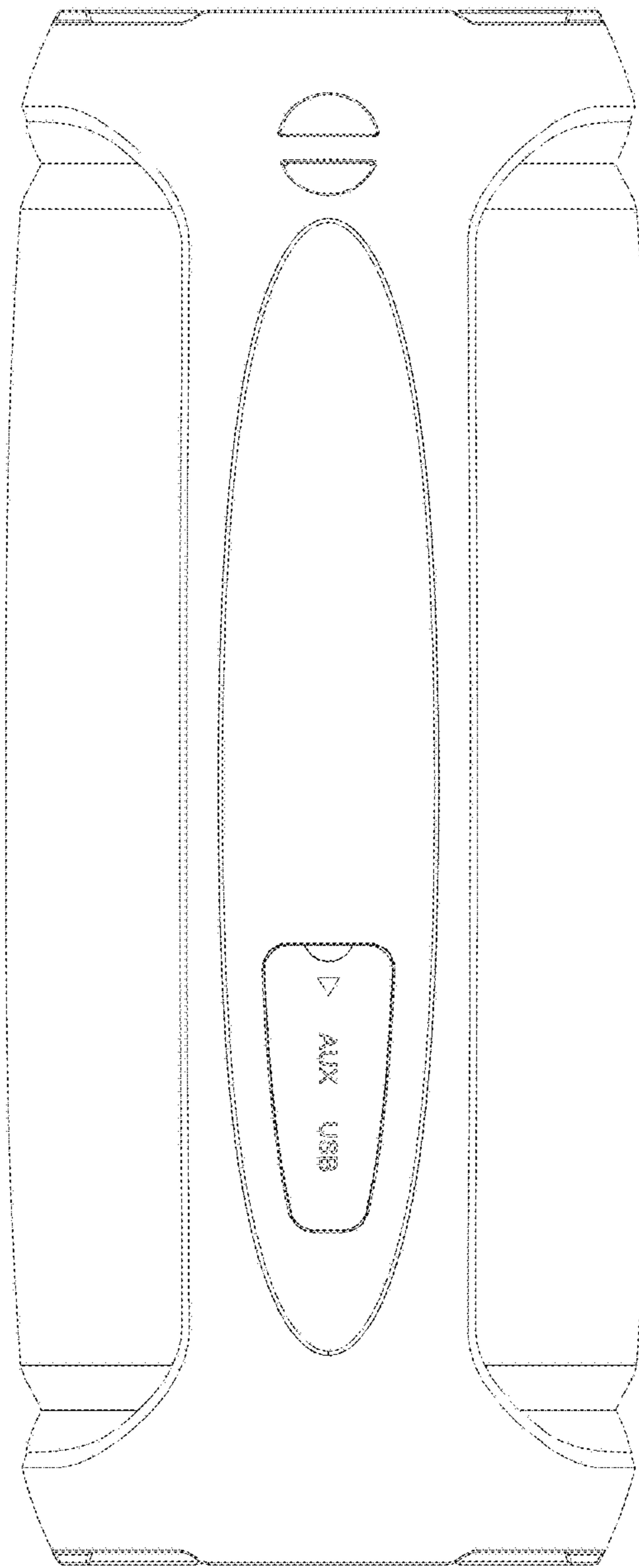


Fig. 2

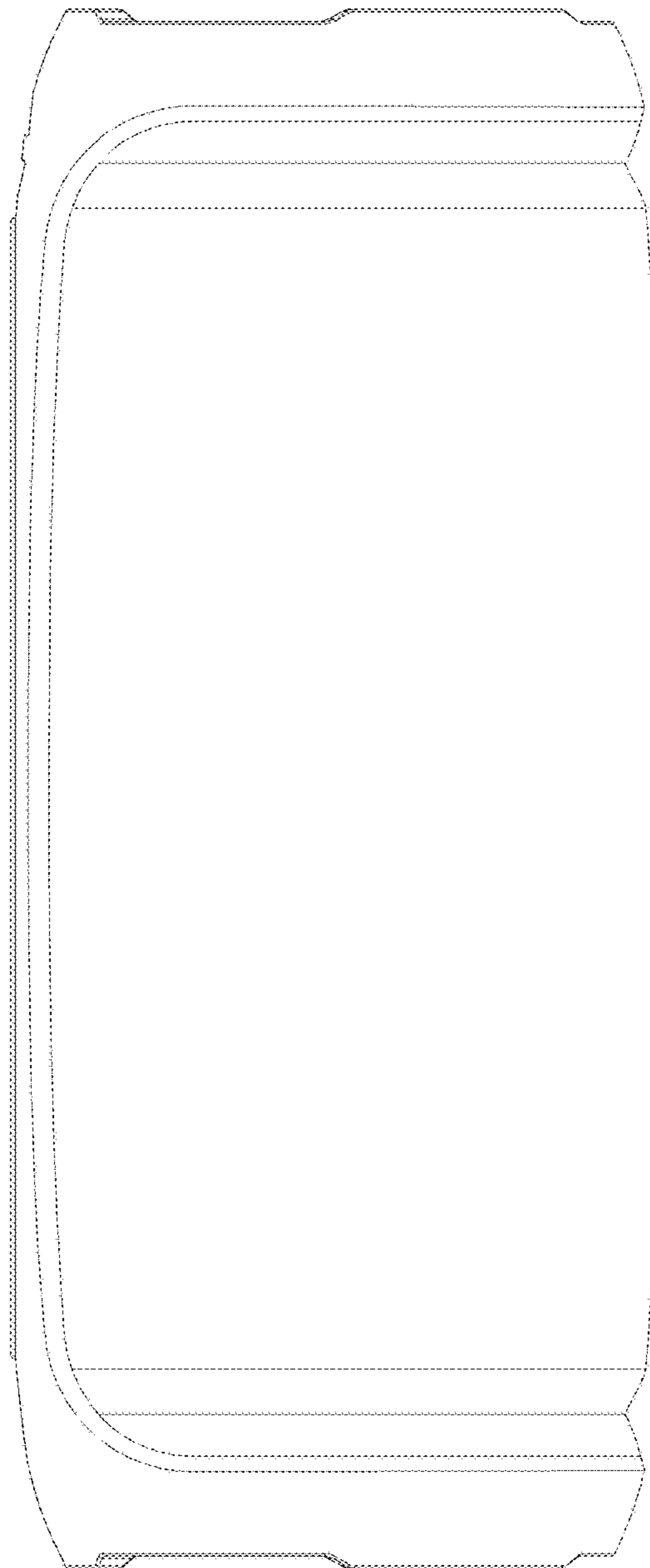


Fig. 3

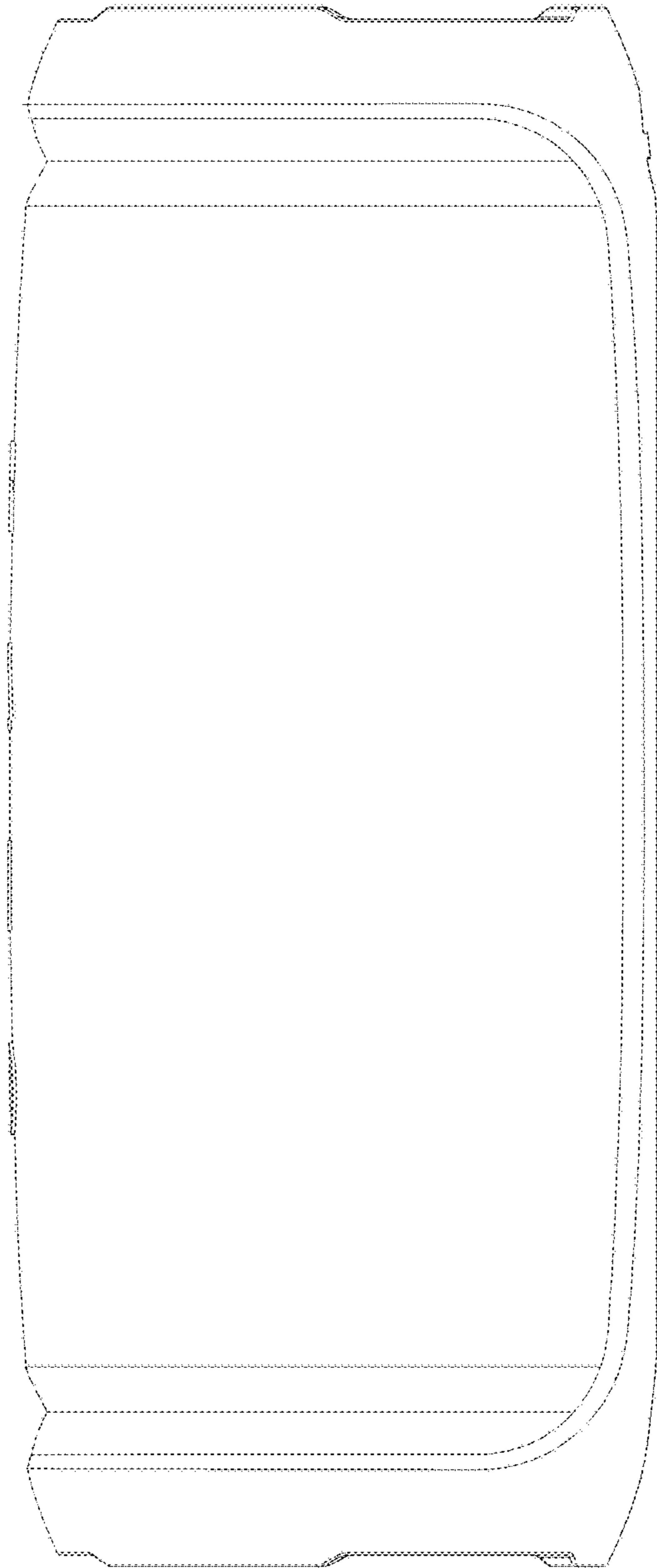


Fig. 4

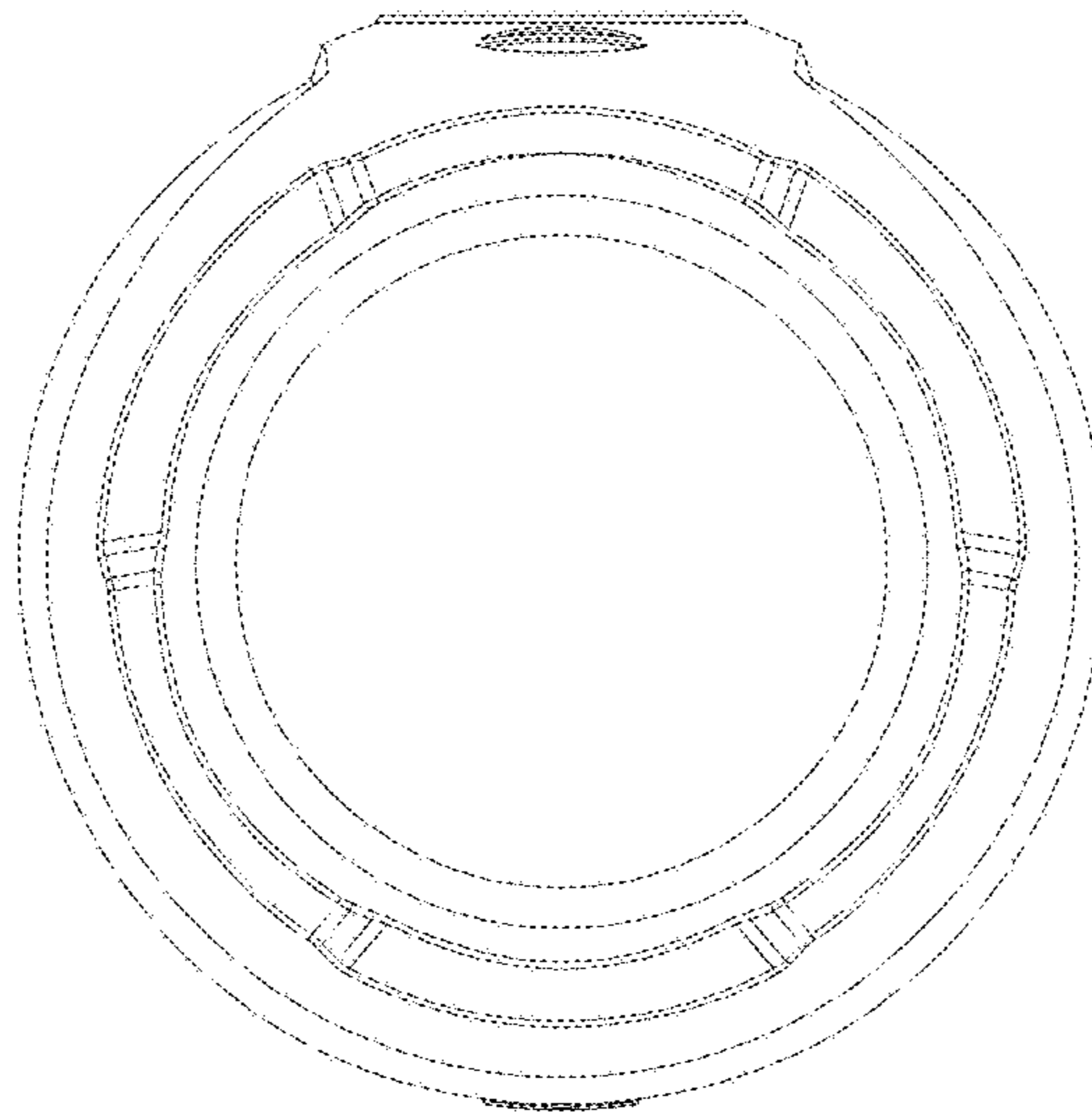


Fig. 5

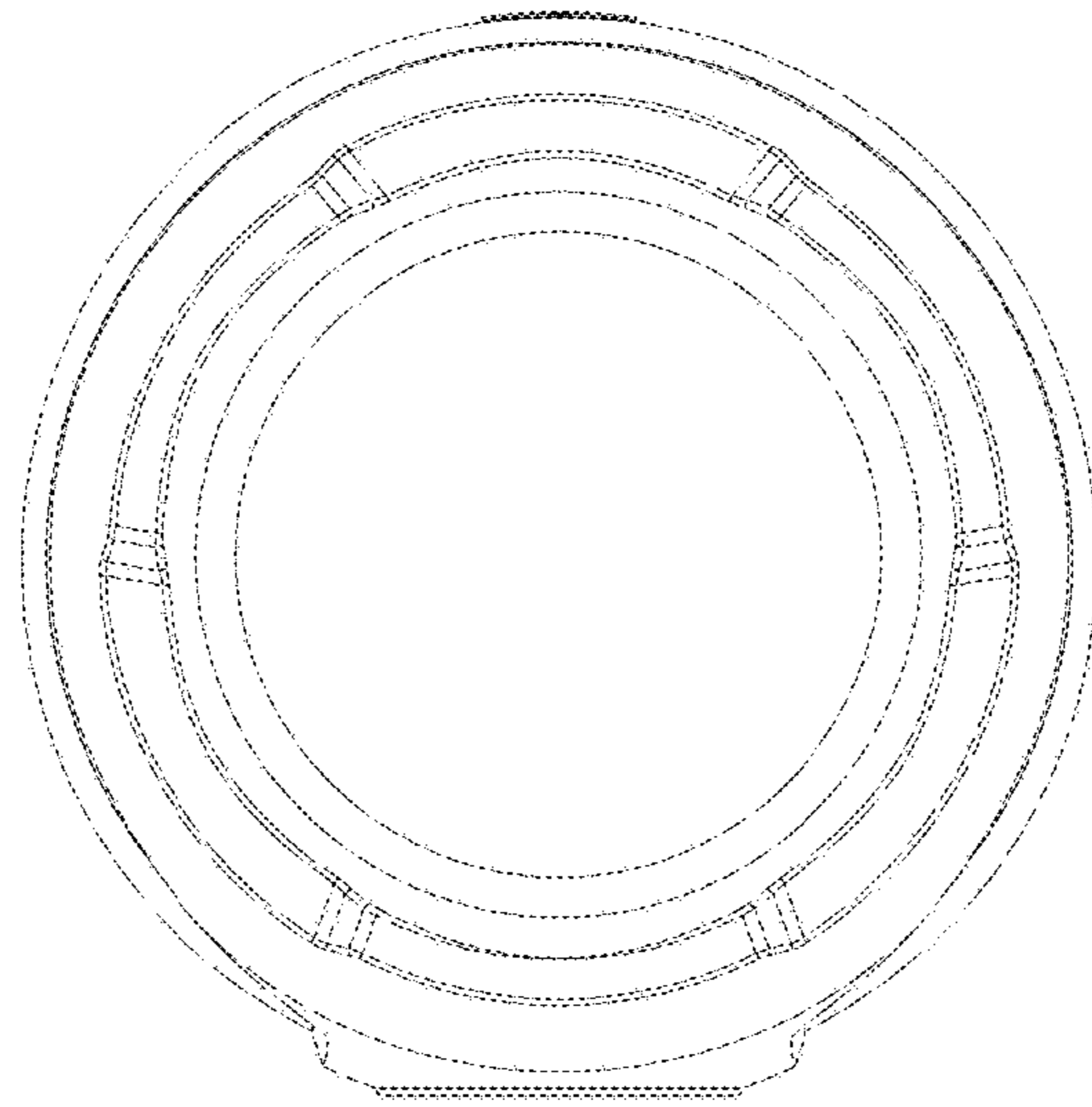


Fig. 6

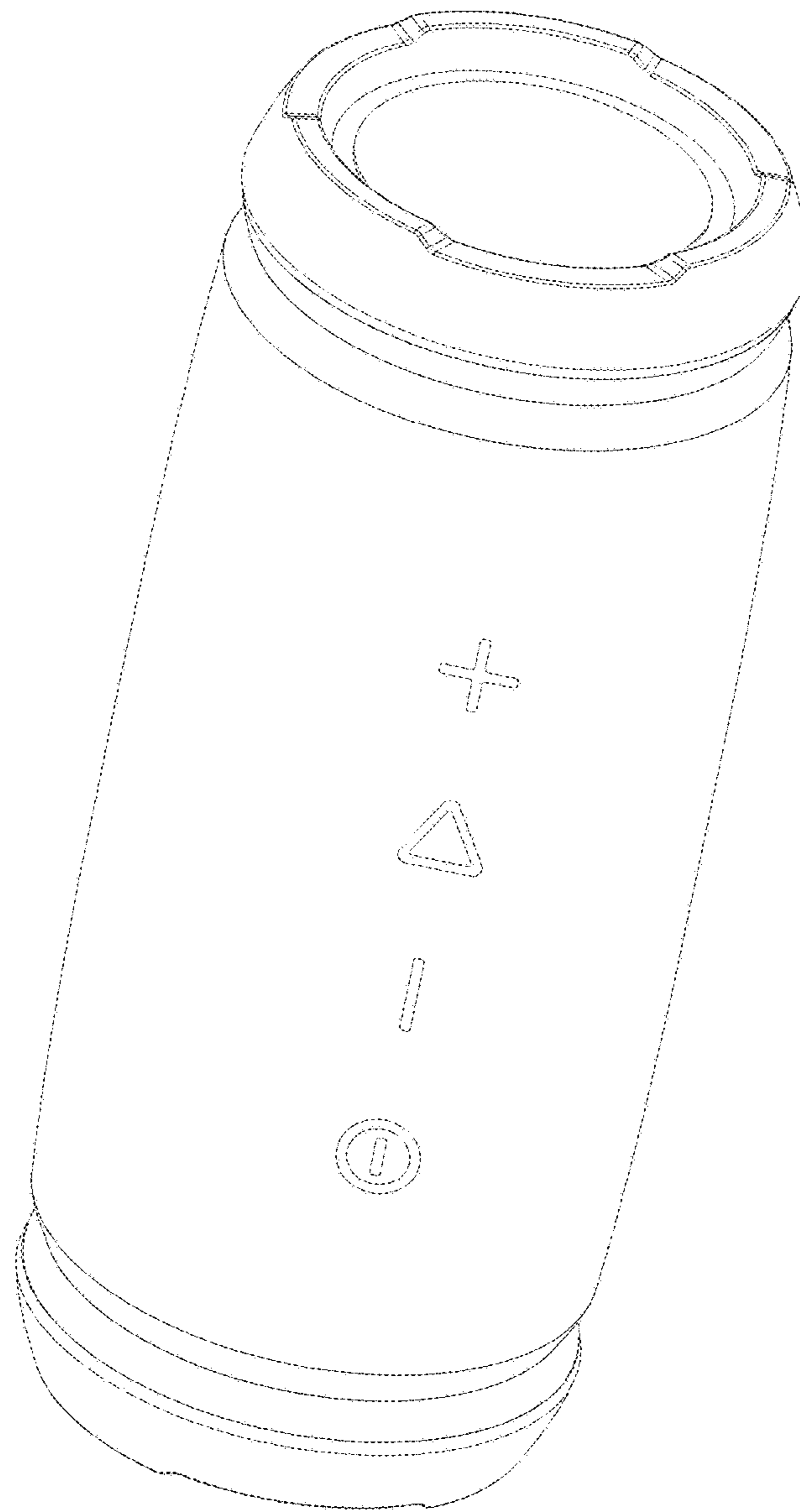


Fig. 7

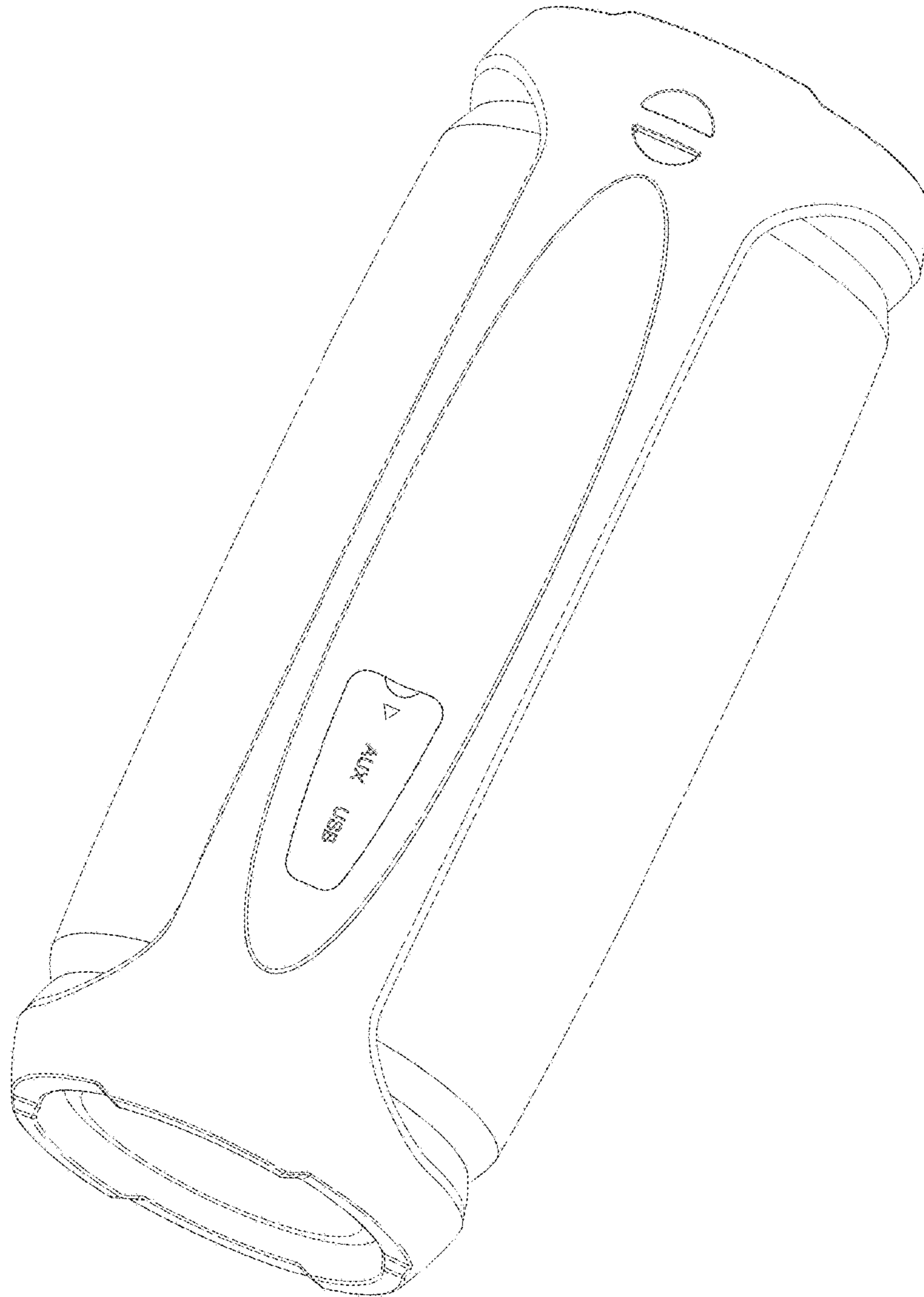


Fig. 8

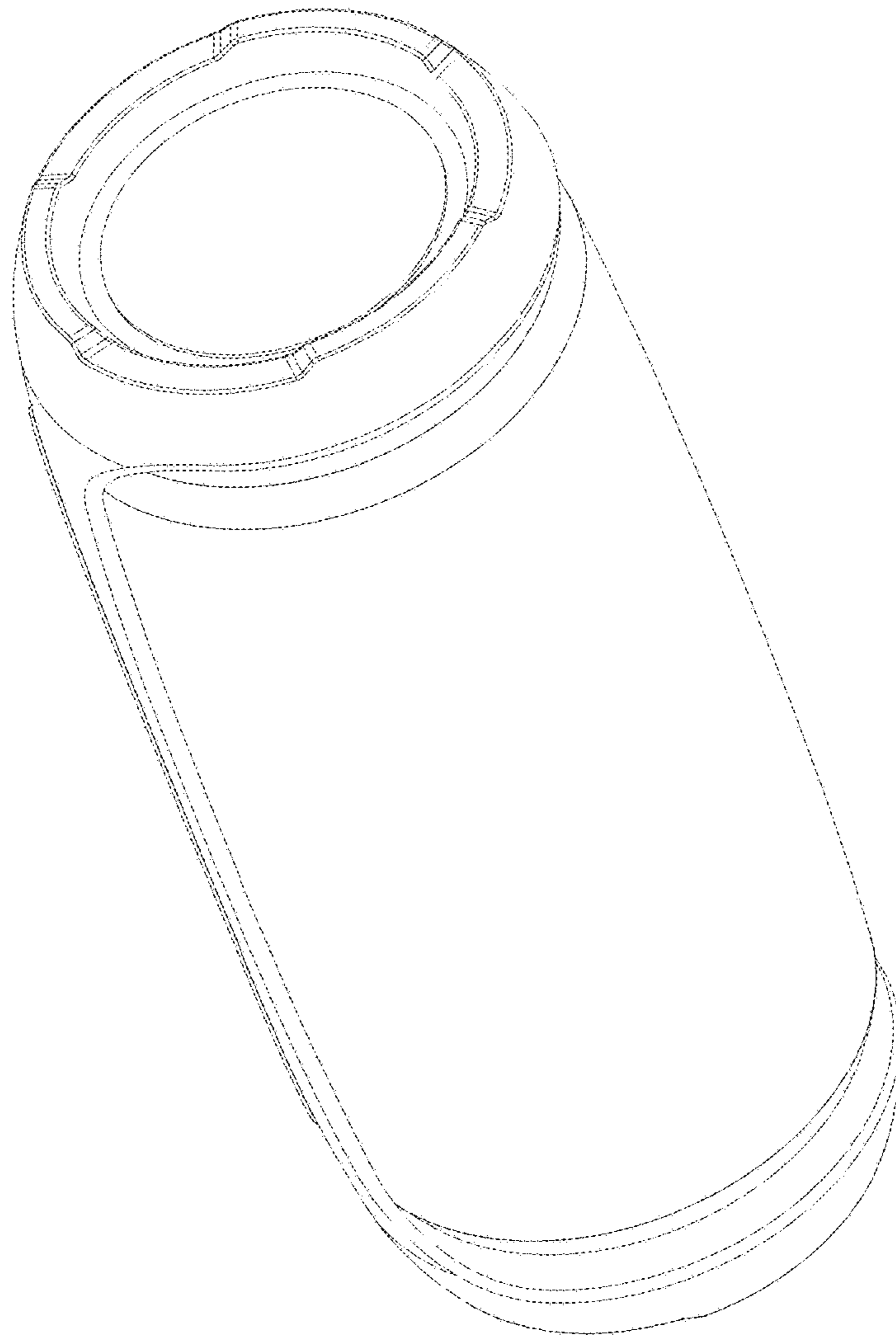


Fig. 9