



US00D868030S

(12) **United States Design Patent**
Chong

(10) **Patent No.:** **US D868,030 S**

(45) **Date of Patent:** **** Nov. 26, 2019**

- (54) **HEADSET**
- (71) Applicant: **RAZER (ASIA-PACIFIC) PTE. LTD.**,
Singapore (SG)
- (72) Inventor: **Boon Sim Chong**, Singapore (SG)
- (73) Assignee: **RAZER (ASIA-PACIFIC) PTE. LTD.**,
Singapore (SG)
- (**) Term: **15 Years**
- (21) Appl. No.: **29/654,703**
- (22) Filed: **Jun. 26, 2018**

- D235,210 S 5/1975 Hill
- D262,019 S * 11/1981 Upshaw D14/205
- D292,205 S 10/1987 Kikutani
- 4,733,748 A * 3/1988 Ponticelli, Jr. H04R 1/025
181/141
- 4,754,484 A * 6/1988 Larkin H04M 1/05
379/419
- 4,783,822 A 11/1988 Toole
- D300,133 S 3/1989 Daidoh
- D317,767 S 6/1991 Banks
- D320,020 S * 9/1991 Iwano D14/216
- 5,555,554 A * 9/1996 Hofer H04R 1/22
381/371
- 5,708,725 A * 1/1998 Ito H04R 5/0335
381/370
- 5,793,878 A * 8/1998 Chang H04R 5/0335
381/370

(Continued)

Related U.S. Application Data

- (62) Division of application No. 29/607,427, filed on Jun. 13, 2017, now Pat. No. Des. 831,000.
- (51) **LOC (12) Cl.** **14-01**
- (52) **U.S. Cl.**
USPC **D14/206; D14/226**
- (58) **Field of Classification Search**
USPC D14/206, 205, 225, 226; D29/112;
2/209; 181/129, 130, 135, 144, 147, 150,
181/387; 379/430, 431; 381/380, 381,
381/375, 371, 183, 174, 151, 326, 160,
381/162; 455/90.3, 575.1, 569.1
CPC H04R 25/00; H04R 19/04; H04R 1/02;
H04R 5/02; H04R 1/1066; H04R 1/1016;
H04R 5/033; H04R 5/0335; H05R 5/00
See application file for complete search history.

(56) **References Cited**

U.S. PATENT DOCUMENTS

- 3,488,457 A * 1/1970 Lahti H04R 1/1008
381/371
- 3,575,370 A * 4/1971 Morris H04R 1/025
248/201
- D222,361 S 10/1971 Hart

FOREIGN PATENT DOCUMENTS

- EM 004542488-0002 * 12/2017
- EM 004542488-0003 * 12/2017

Primary Examiner — Paula Allen Greene

(74) *Attorney, Agent, or Firm* — Polsinelli PC

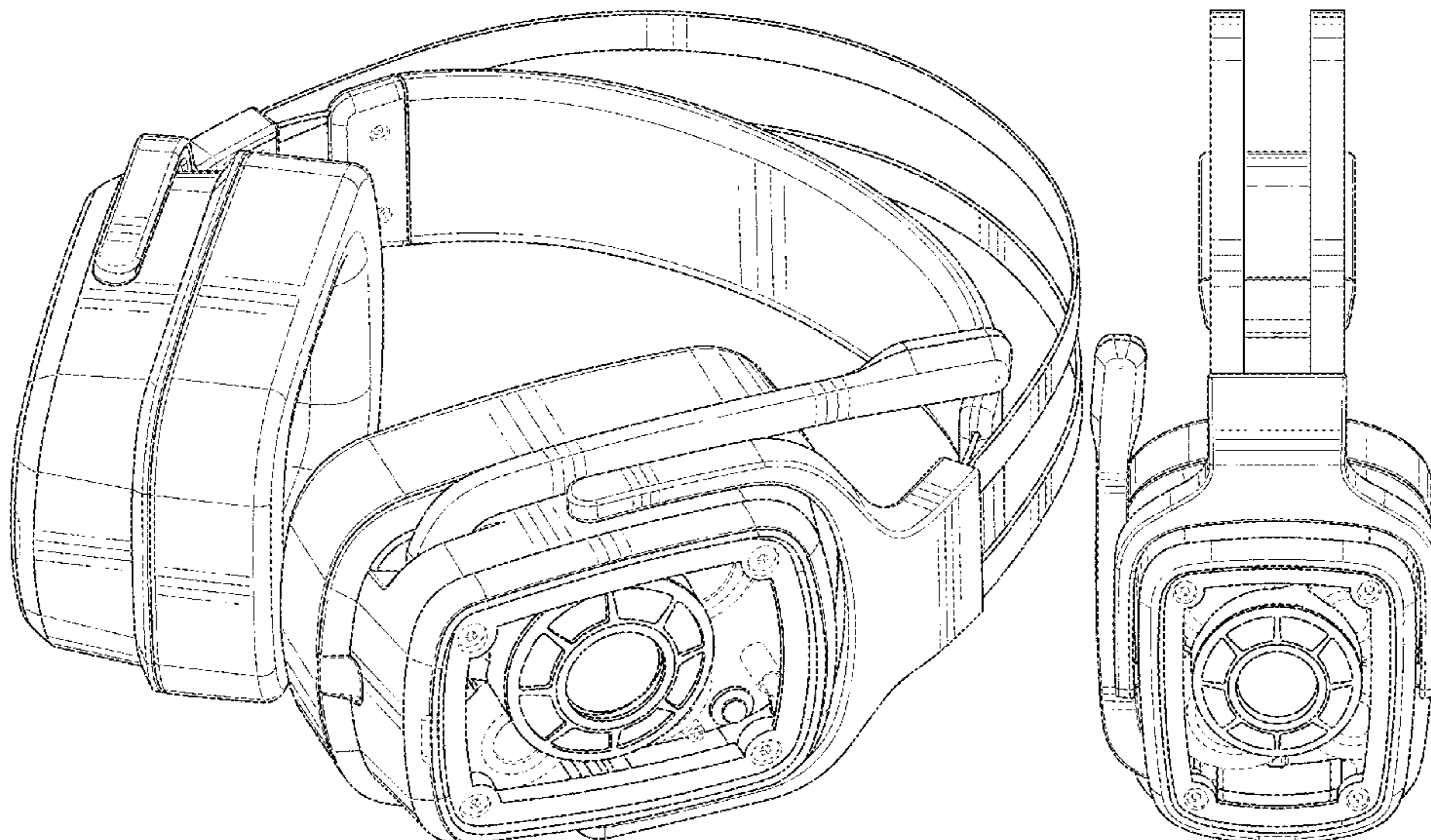
(57) **CLAIM**

I claim the ornamental design for a headset, as shown and described.

DESCRIPTION

FIG. 1 is a perspective view of an embodiment of a headset, having the cover of the ear piece removed;
 FIG. 2 is a front elevational view thereof;
 FIG. 3 is a rear elevational view thereof;
 FIG. 4 is a left side elevational view thereof;
 FIG. 5 is a right side elevational view thereof;
 FIG. 6 is a top plan view thereof; and,
 FIG. 7 is a bottom plan view thereof.
 The broken lines depict environment which forms no part of the claimed design.

1 Claim, 7 Drawing Sheets



(56)

References Cited

U.S. PATENT DOCUMENTS

5,841,858	A *	11/1998	Frierson	H04M 1/0202				
						379/430			
5,960,094	A *	9/1999	Jensen	H04M 1/05				
						381/374			
D420,356	S *	2/2000	Suzuki	D14/205				
6,279,678	B1 *	8/2001	Tracy	H04R 1/02				
						181/144			
6,295,366	B1 *	9/2001	Haller	H04R 5/0335				
						379/430			
6,449,806	B1 *	9/2002	Engelhard	H04M 1/05				
						2/209			
6,724,906	B2	4/2004	Naksen						
D504,419	S *	4/2005	Bey	D14/223				
D531,165	S *	10/2006	Rath	D14/206				
D534,155	S	12/2006	Obata						
D576,604	S *	9/2008	Suzuki	D14/205				
D582,890	S	12/2008	Koza						
7,480,388	B1	1/2009	Crook						
D589,492	S *	3/2009	Mistry	D14/205				
D600,674	S *	9/2009	Brennwald	D14/205				
D603,371	S	11/2009	Boateng						
D604,266	S *	11/2009	Milde	D14/205				
D606,969	S	12/2009	Semcken						
D606,970	S	12/2009	Semcken						
D613,266	S *	4/2010	Barry	D14/205				
D617,769	S	6/2010	Birger						
D625,705	S	10/2010	Ohori						
D628,189	S *	11/2010	Rath	D14/206				
D632,668	S	2/2011	Brunner						
D633,471	S	3/2011	Sugiyama						
D634,298	S	3/2011	Shimizu						
D635,958	S *	4/2011	Ando	D14/205				
D638,000	S *	5/2011	Hoggarth	D14/206				
D641,725	S	7/2011	Chong						
8,014,545	B2 *	9/2011	Grant	H04R 1/025				
						181/150			
D654,472	S	2/2012	Fischer						
8,139,807	B2	3/2012	Reiss						
D657,346	S	4/2012	Park						
D662,080	S	6/2012	Carr						
D664,116	S	7/2012	Hutchieson						
D664,118	S	7/2012	Tappeiner						
8,213,644	B2	7/2012	Choi						
8,223,984	B2	7/2012	Roos						
D666,579	S	9/2012	Hou						
D666,993	S *	9/2012	Kelley	D14/205				
D675,595	S	2/2013	Cho						
8,369,557	B2 *	2/2013	Kuhtz	H04R 1/1058				
						381/370			
D678,860	S	3/2013	Hagelin						
D681,004	S *	4/2013	Kelley	D14/206				
D683,329	S	5/2013	Hagelin						
D684,145	S *	6/2013	Rath	D14/206				
D685,759	S	7/2013	Kelly						
D688,648	S	8/2013	Li						
D690,284	S *	9/2013	Brennwald	D14/205				
D691,111	S	10/2013	Lee						
D697,048	S	1/2014	Pavitsich						
D697,897	S	1/2014	Lee						
D699,216	S *	2/2014	Bonahoom	D14/205				
D699,702	S	2/2014	Chen						
8,649,547	B2	2/2014	Hsu Huang						
D701,193	S	3/2014	Kelly						
D708,163	S	7/2014	Ishikura						
D721,052	S	1/2015	Carr						
D723,508	S *	3/2015	Garland	D14/205				
D724,561	S *	3/2015	Ko	D14/205				
D726,147	S	4/2015	Tran						
9,036,849	B2 *	5/2015	Thompson	H04R 1/083				
						381/122			
D741,286	S *	10/2015	Brennwald	D14/205				
D743,369	S	11/2015	Mackiewicz						
D745,859	S *	12/2015	Kiuchi	D14/205				
D750,043	S	2/2016	Birger						
D763,226	S	8/2016	Petersen						
D769,219	S *	10/2016	Ohmachi	D14/205				
D785,593	S	5/2017	Nakagawa						
D787,469	S	5/2017	Djohar						
D787,470	S	5/2017	Kelly						
D788,071	S *	5/2017	Logan	D14/205				
D794,602	S	8/2017	Riggs						
D796,478	S	9/2017	Minn						
D808,359	S *	1/2018	Meyer	D14/205				
D815,614	S *	4/2018	Tzeng	D14/205				
D820,813	S *	6/2018	Sharp	D14/206				
D824,360	S *	7/2018	Hsieh	D14/205				
D824,362	S *	7/2018	Probst	D14/206				
10,080,076	B2 *	9/2018	Karasawa	H04R 1/1008				
D831,000	S *	10/2018	Chong	D14/206				
D840,977	S *	2/2019	Pu	D14/206				
D843,348	S *	3/2019	Burgess	D14/206				
D843,349	S *	3/2019	Burgess	D14/206				
D845,927	S *	4/2019	Wang	D14/206				
D851,064	S *	6/2019	Wang	D14/206				
D853,988	S *	7/2019	Wang	D14/206				
2005/0238189	A1 *	10/2005	Tsai	H04R 1/1075				
						381/309			
2006/0104456	A1	5/2006	Filo						
2007/0177748	A1	8/2007	Yang						
2010/0040252	A1 *	2/2010	Thompson	H04R 1/083				
						381/375			
2010/0046781	A1	2/2010	Chen						
2011/0194721	A1 *	8/2011	Schmidt	H04R 1/1066				
						381/370			
2014/0268508	A1	9/2014	Czarnecki						

* cited by examiner

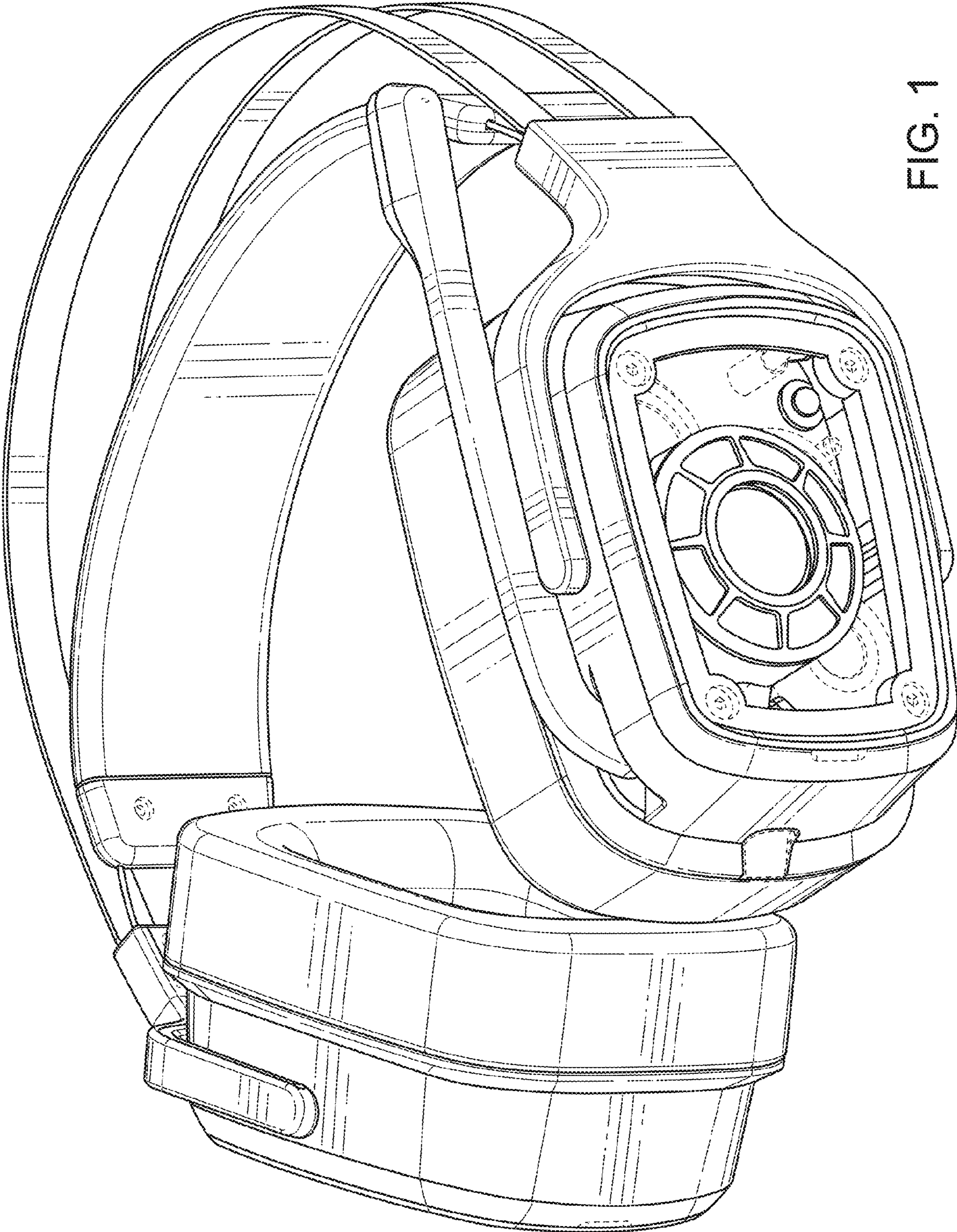


FIG. 1

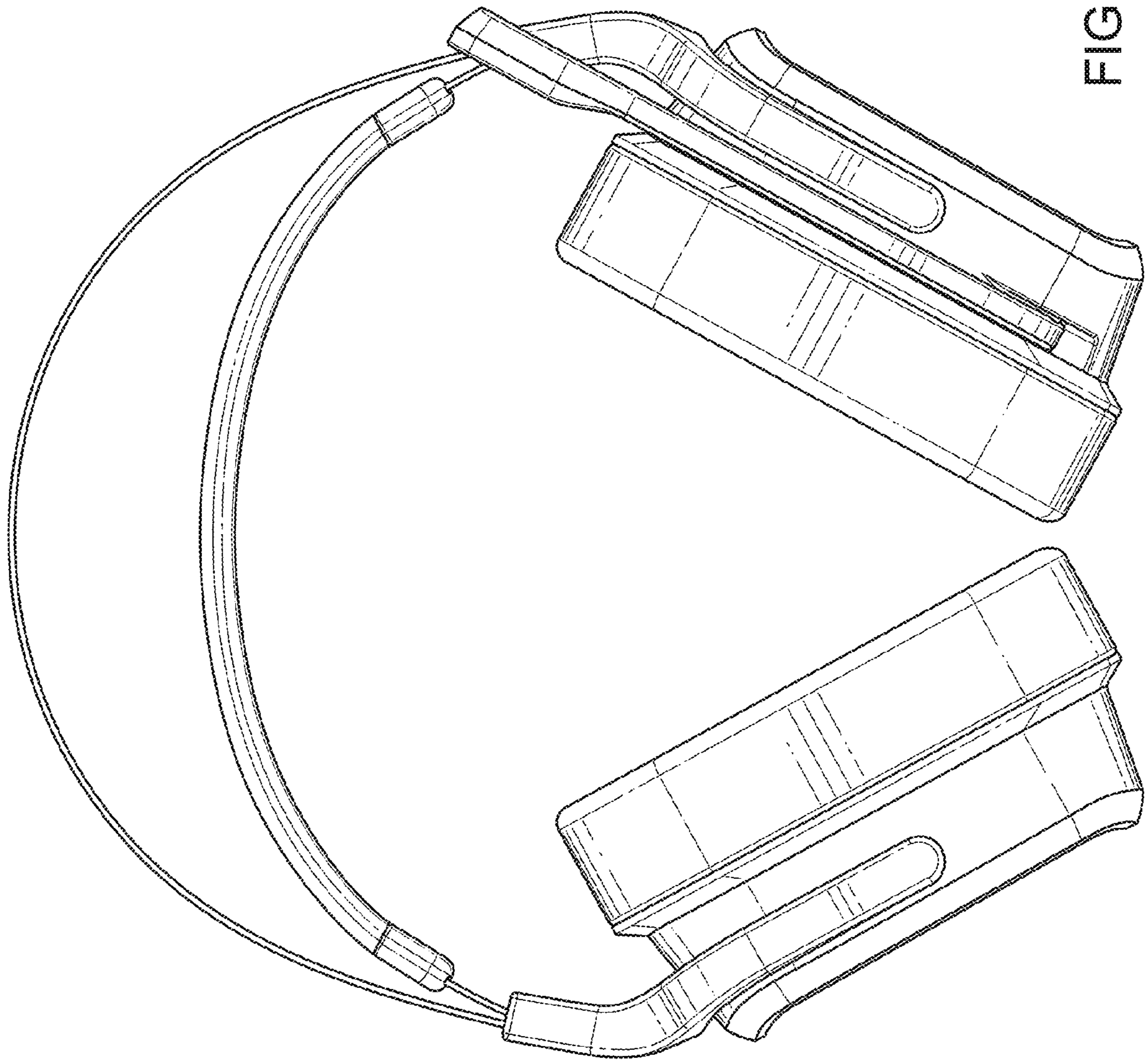


FIG. 2

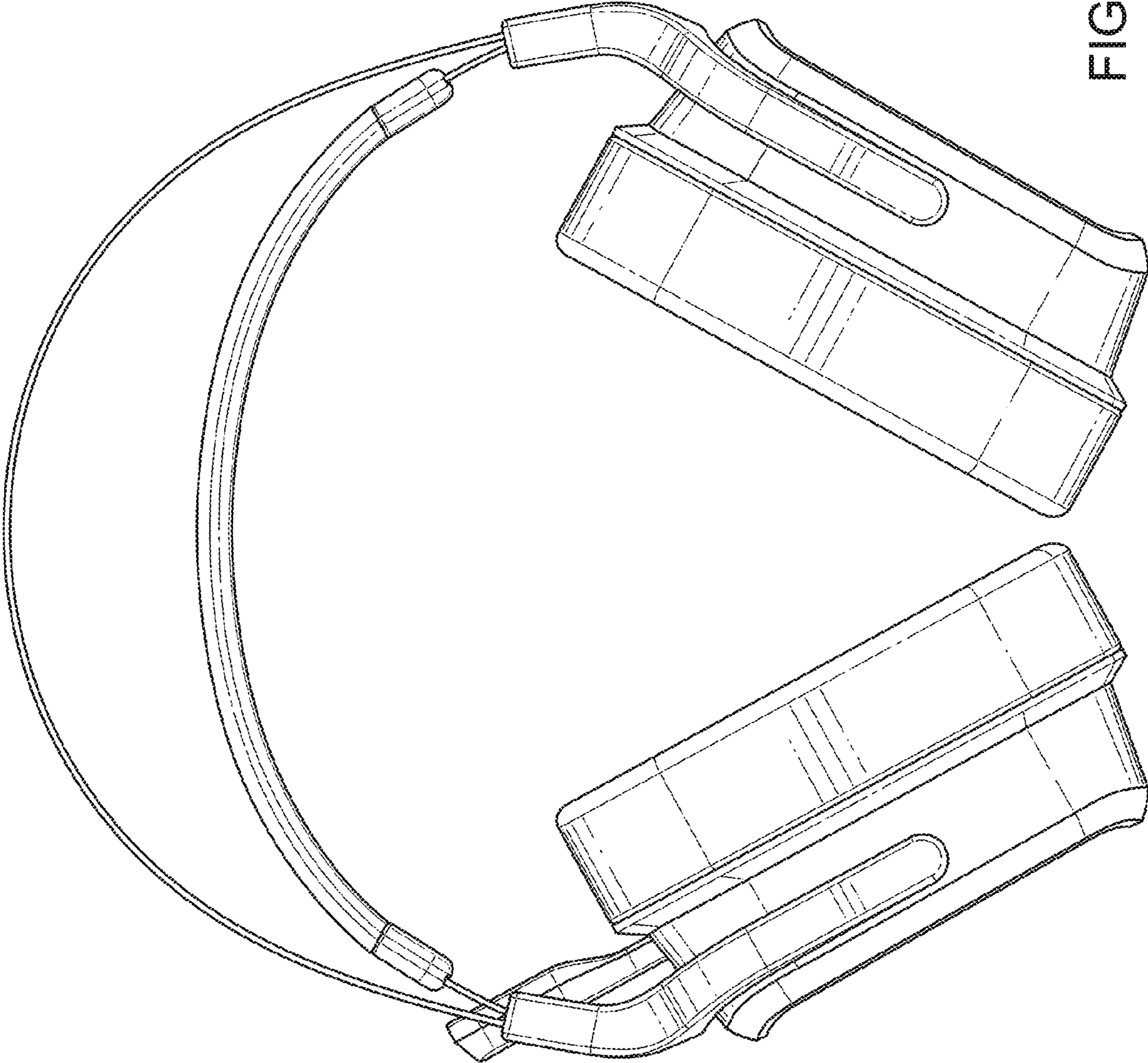


FIG. 3

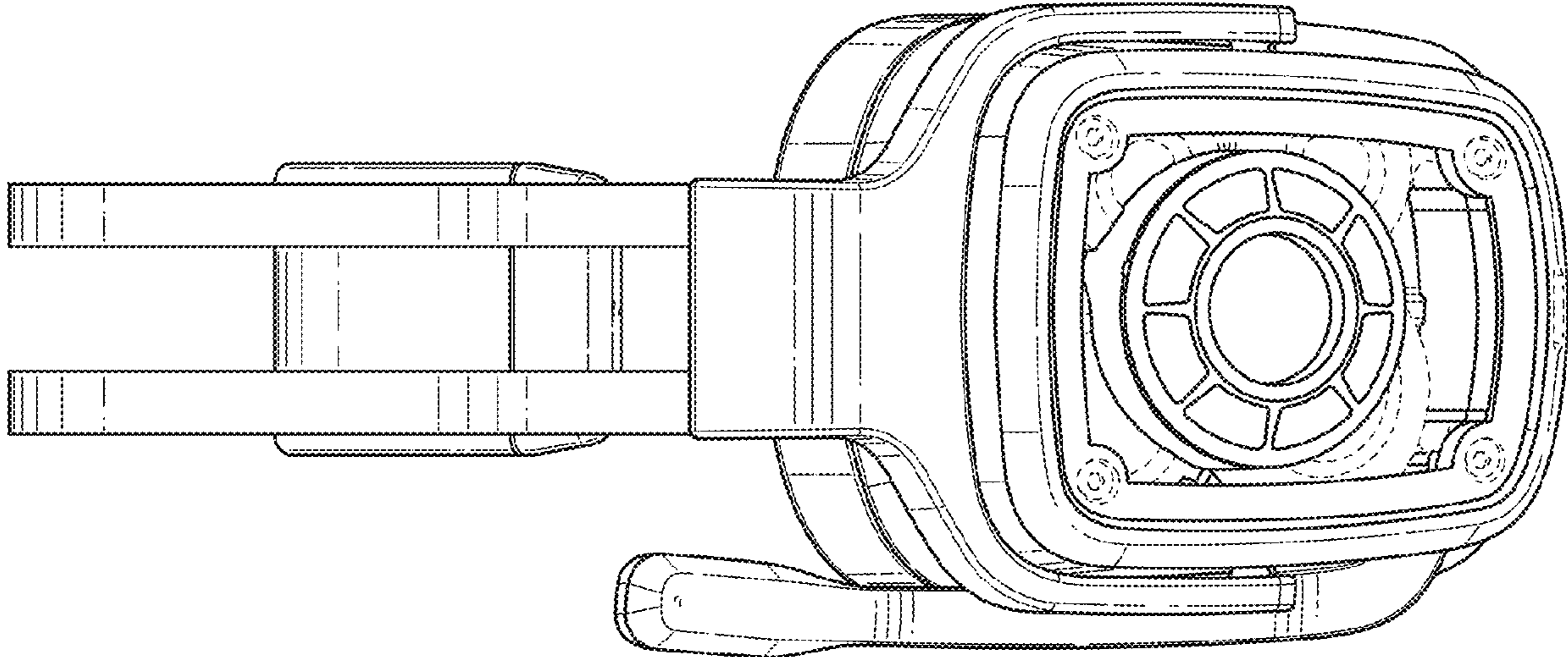


FIG. 4

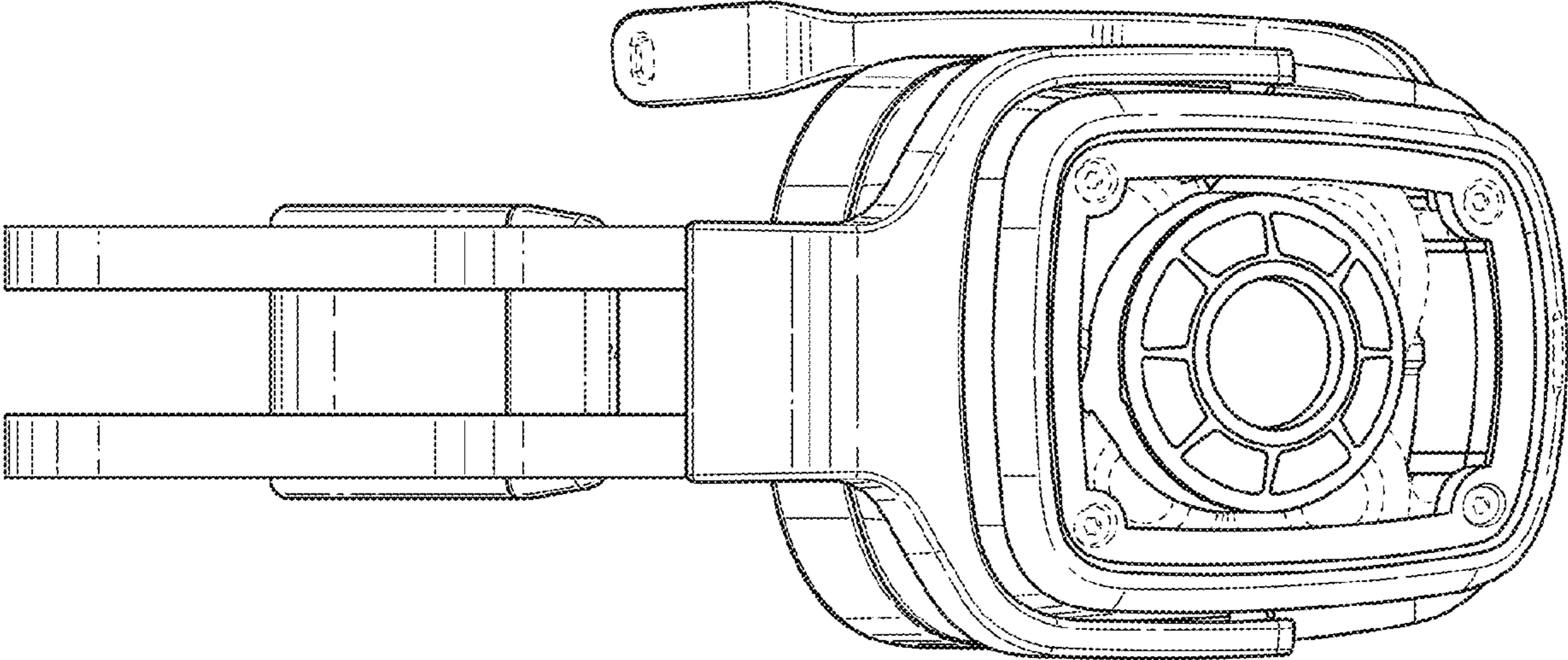


FIG. 5

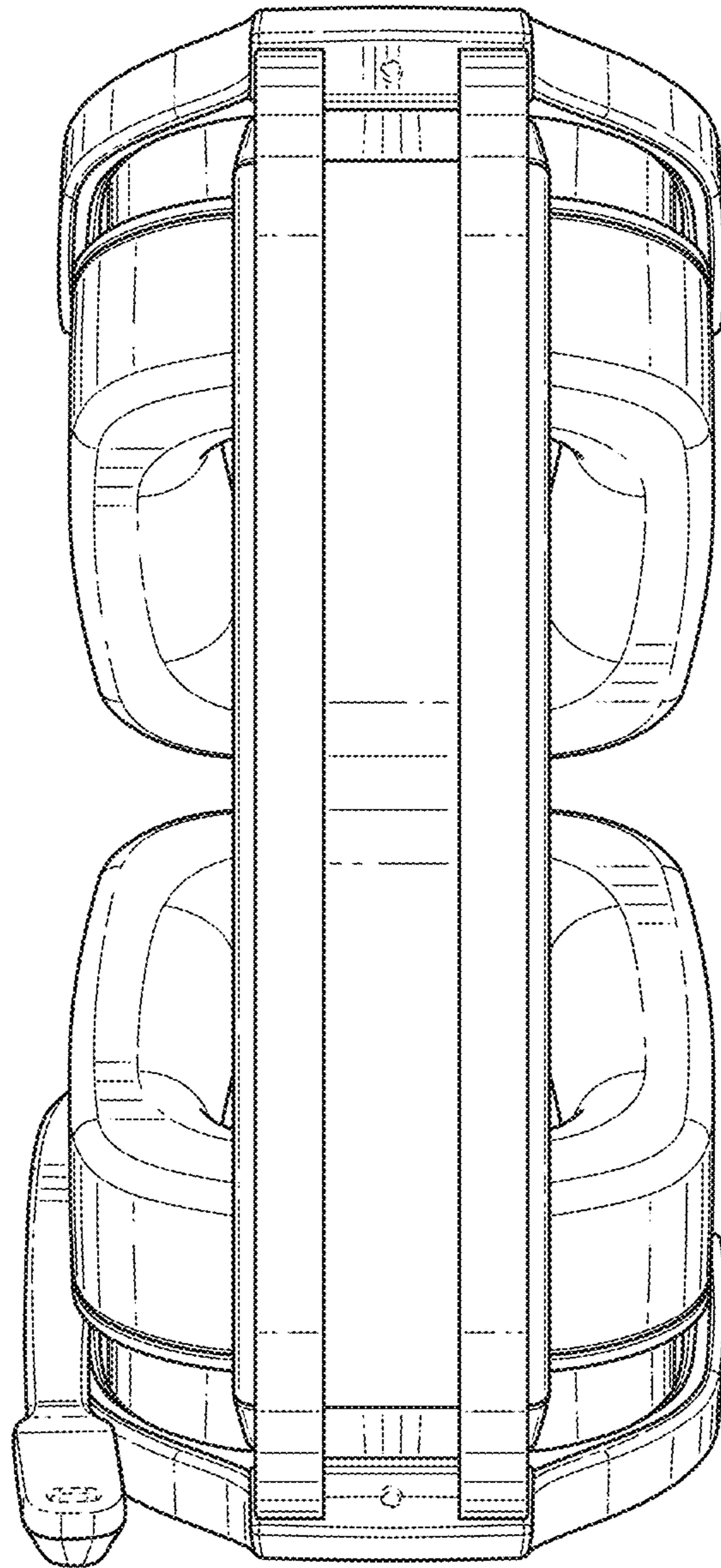


FIG. 6

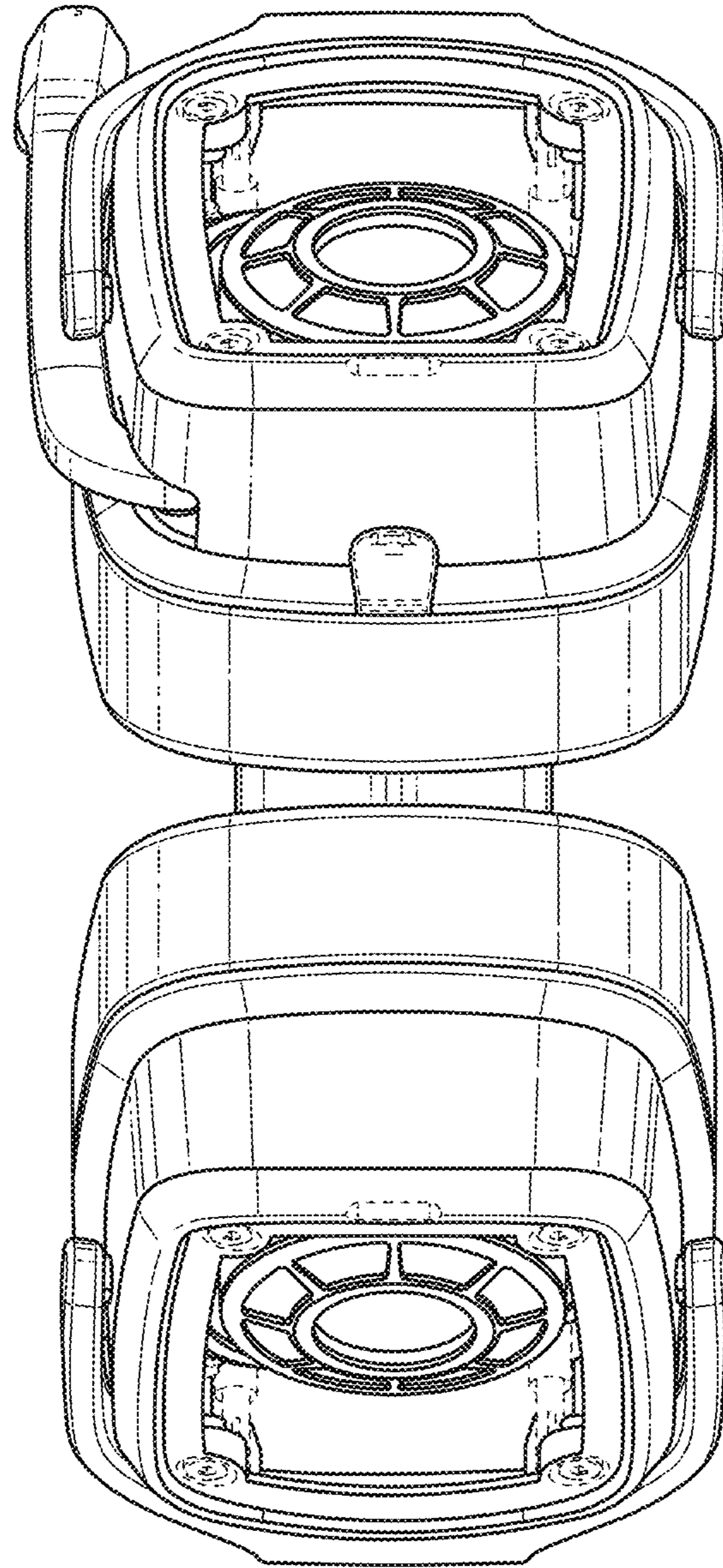


FIG. 7