



US00D868029S

(12) **United States Design Patent**  
**Hänggi et al.**

(10) **Patent No.: US D868,029 S**

(45) **Date of Patent: \*\* Nov. 26, 2019**

(54) **HEADPHONES**

(71) Applicant: **Sennheiser electronic GmbH & Co. KG, Wedemark (DE)**

(72) Inventors: **Iwan Hänggi, Zürich (CH); Niklas Galler, Berlin (DE); Oliver Berger, Zürich (CH)**

(73) Assignee: **Sennheiser electronic GmbH & Co. KG, Wedemark (DE)**

(\*\*) Term: **15 Years**

(21) Appl. No.: **35/501,431**

(22) Filed: **Feb. 26, 2016**

(80) **Hague Agreement Data**

Int. Filing Date: **Feb. 26, 2016**  
Int. Reg. No.: **DM/090028**  
Int. Reg. Date: **Feb. 26, 2016**  
Int. Reg. Pub. Date: **Aug. 26, 2016**

(30) **Foreign Application Priority Data**

Aug. 26, 2015 (DE) ..... 40 2015 100 807

(51) **LOC (12) Cl.** ..... **14-01**

(52) **U.S. Cl.**  
USPC ..... **D14/205**

(58) **Field of Classification Search**  
USPC ..... D14/188, 192, 205, 496, 206  
CPC ..... H04R 1/1066; H04R 25/00; H04R 1/10;  
H04R 1/105; H04R 1/1016

See application file for complete search history.

(56) **References Cited**

U.S. PATENT DOCUMENTS

D734,297	S	*	7/2015	Sasaki	.....	D14/205
D771,012	S	*	11/2016	Wagner	.....	D14/205
D791,102	S	*	7/2017	Katsuno	.....	D14/205
D792,376	S	*	7/2017	Morimoto	.....	D14/205
D793,356	S	*	8/2017	Hardi	.....	D14/205
2014/0254854	A1	*	9/2014	Blonder	.....	H04R 1/1066 381/371

\* cited by examiner

*Primary Examiner* — Melanie H Tung

*Assistant Examiner* — Bao-Yen T Nguyen

(74) *Attorney, Agent, or Firm* — Haug Partners LLP

(57) **CLAIM**

The ornamental design for headphones, as shown and described.

**DESCRIPTION**

- 2. Headphones
- 2.1 : Perspective
- 2.2 : Perspective
- 2.3 : Perspective
- 2.4 : Perspective
- 2.5 : Front
- 2.6 : Right
- 2.7 : Left
- 2.8 : Front
- 2.9 : Bottom
- 2.10 : Top

**1 Claim, 10 Drawing Sheets**

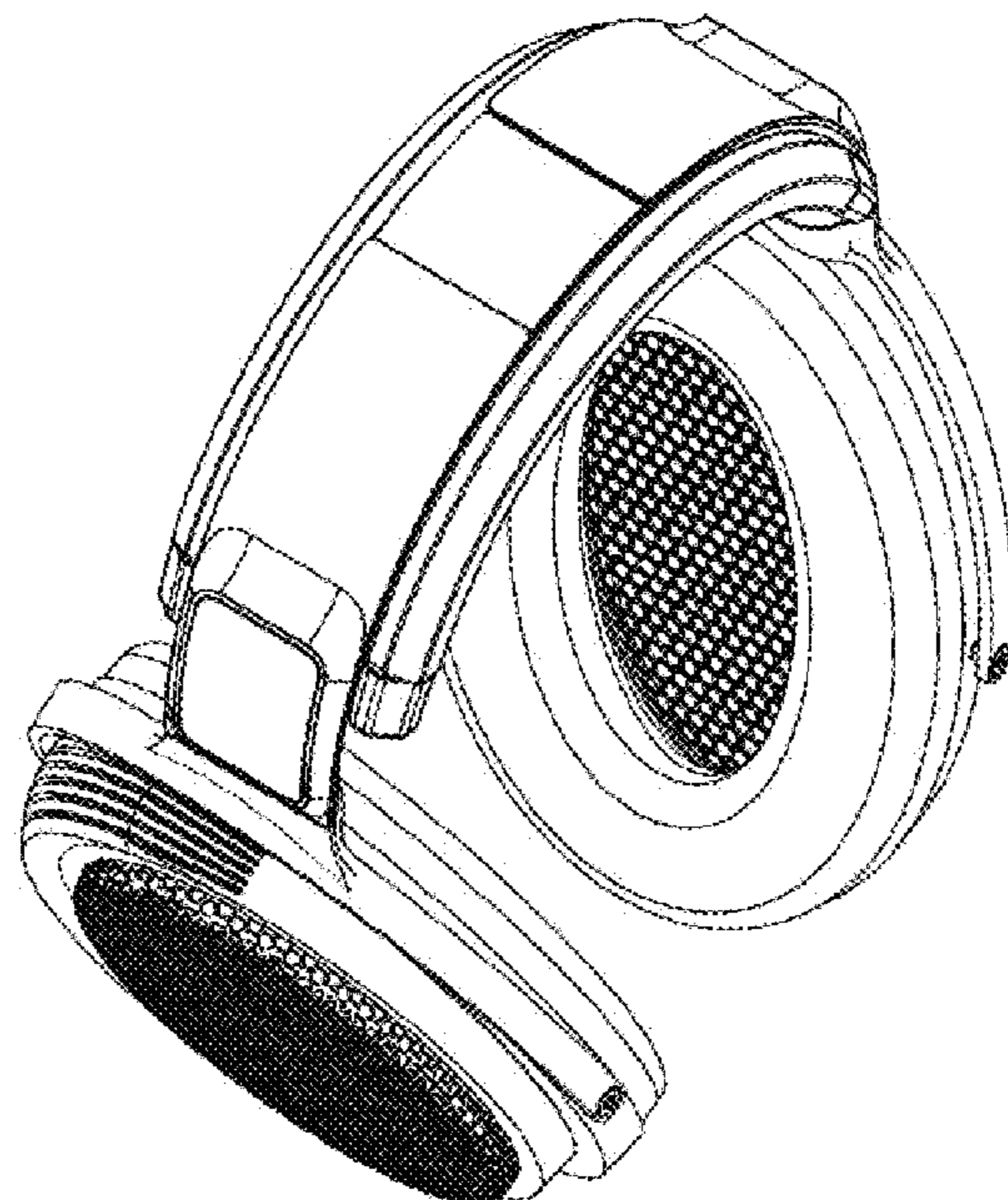




Fig. 2.1



Fig. 2.2

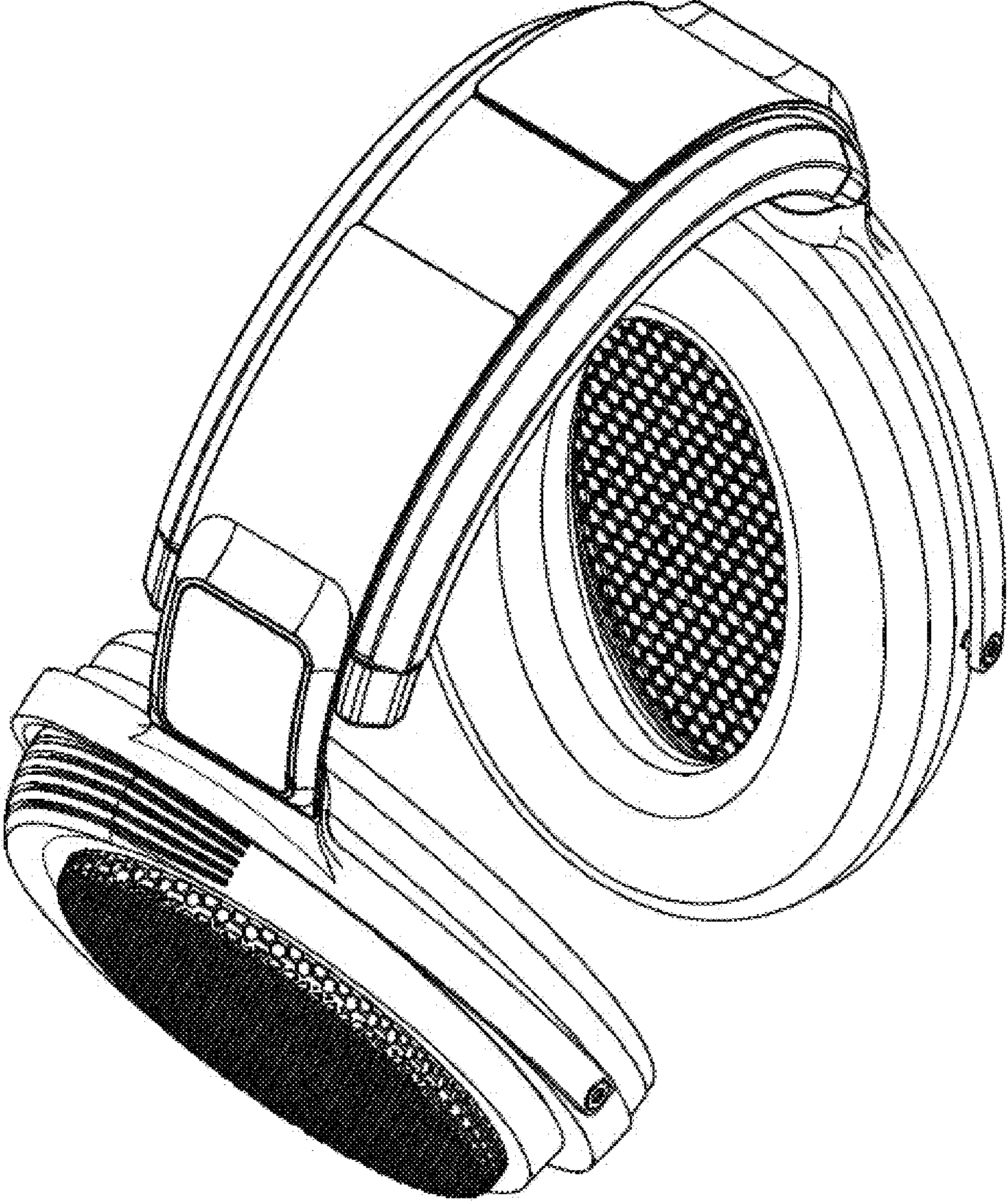


Fig. 2.3



Fig. 2.4

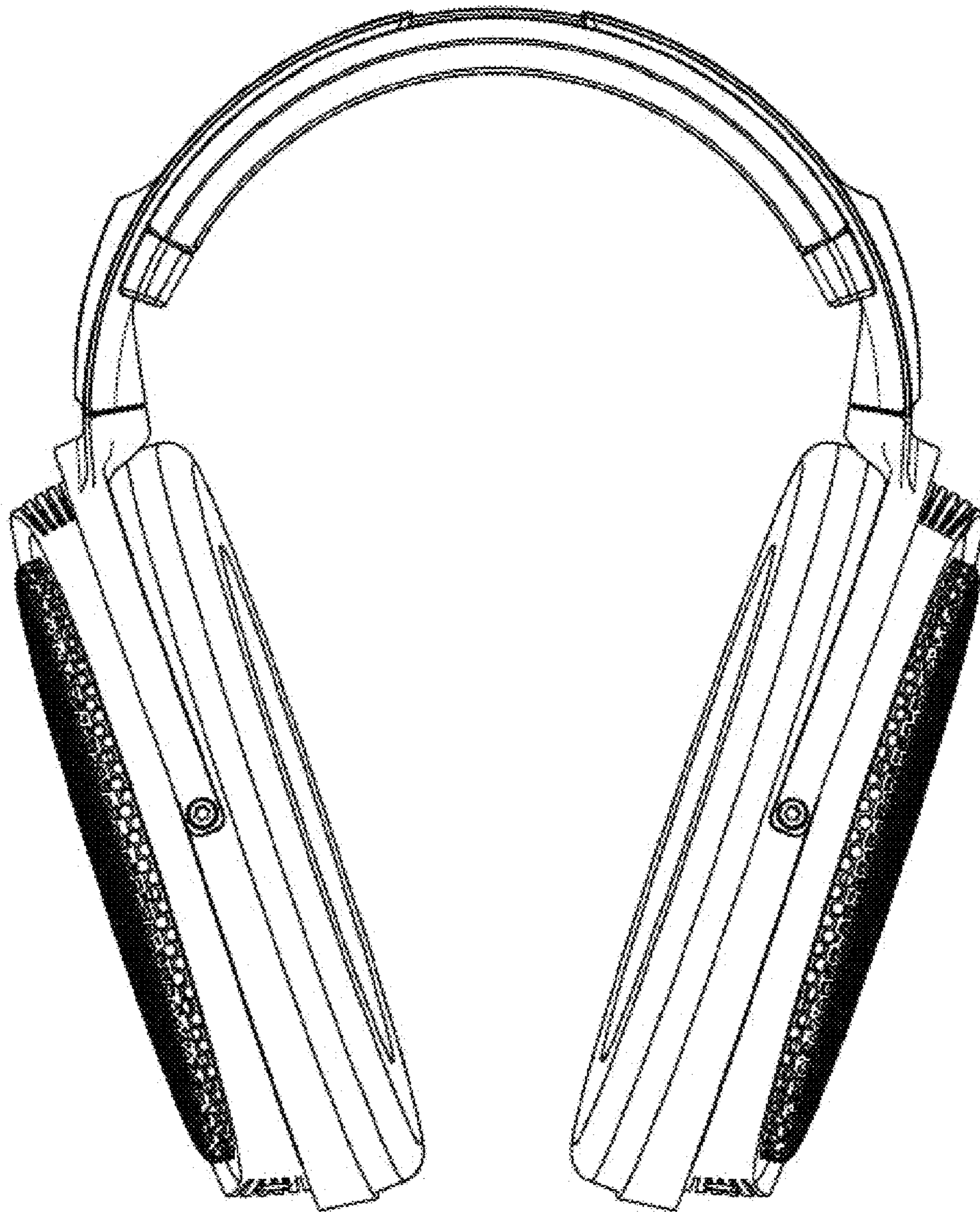


Fig. 2.5

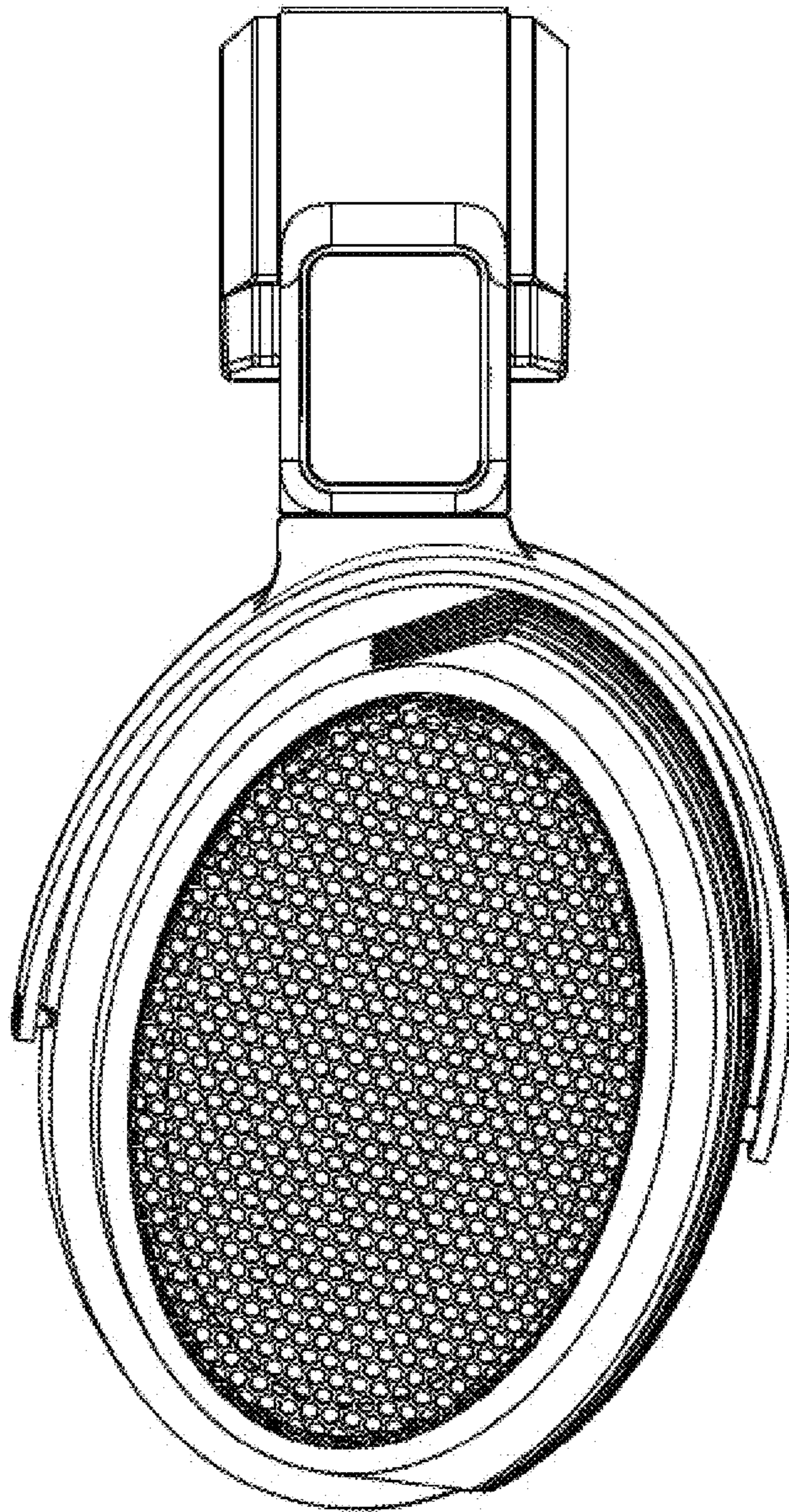


Fig. 2.6

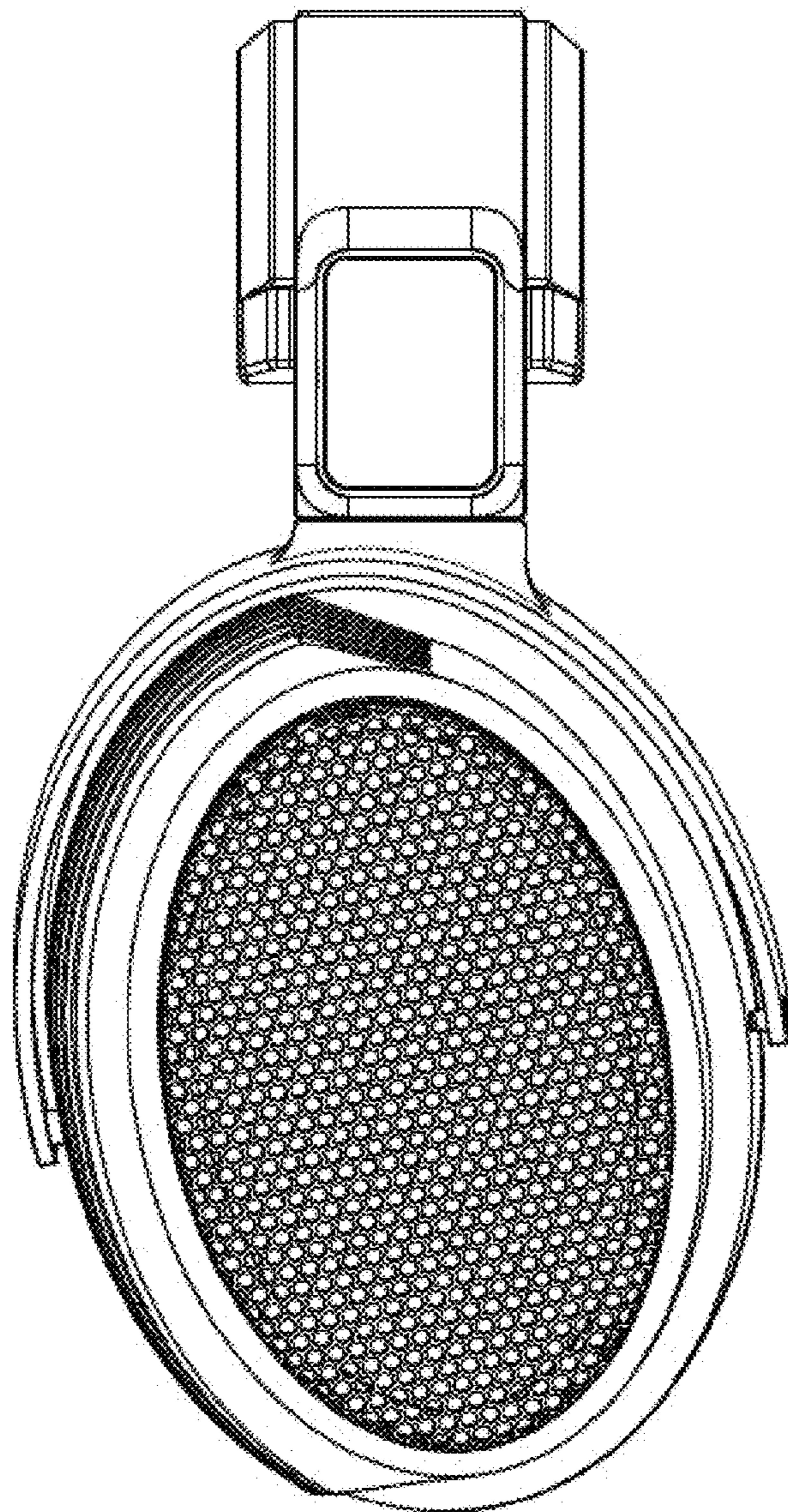


Fig. 2.7





Fig. 2.8

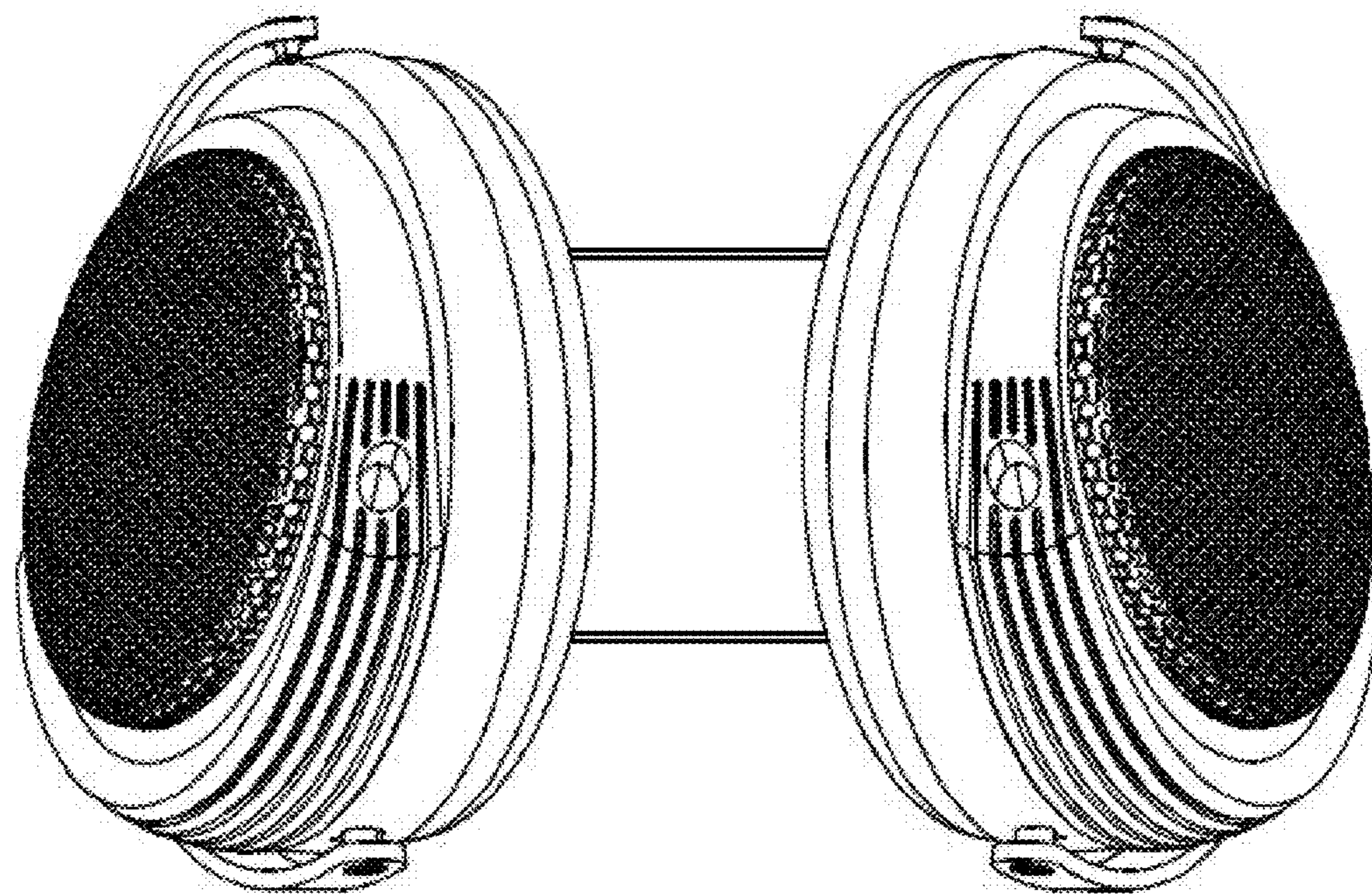


Fig. 2.9

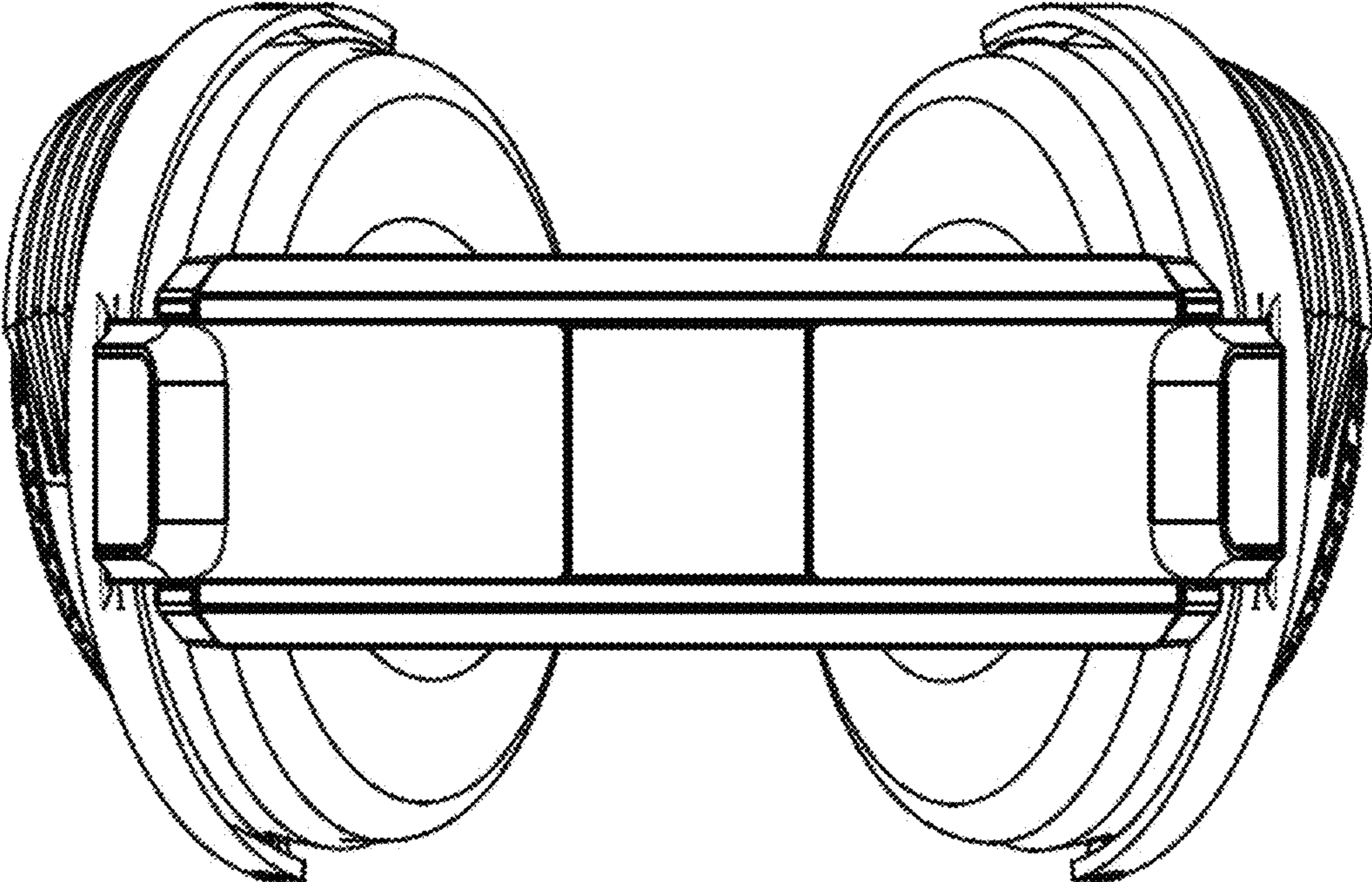


Fig. 2.10