



US00D868028S

(12) **United States Design Patent**  
**Paterson**

(10) **Patent No.:** **US D868,028 S**

(45) **Date of Patent:** **\*\* Nov. 26, 2019**

(54) **COMMUNICATIONS HEADSET OR HEADPHONE**

(71) Applicant: **Plantronics, Inc.**, Santa Cruz, CA (US)

(72) Inventor: **Nicholas W Paterson**, Santa Cruz, CA (US)

(73) Assignee: **Plantronics, Inc.**, Santa Cruz, CA (US)

(\*\*) Term: **15 Years**

(21) Appl. No.: **29/653,427**

(22) Filed: **Jun. 14, 2018**

(51) **LOC (12) Cl.** ..... **14-01**

(52) **U.S. Cl.**

USPC ..... **D14/205**; D14/206; D14/226

(58) **Field of Classification Search**

USPC ..... D14/205, 206, 372, 226; D28/41;  
132/273, 275; D29/112; 2/209;  
181/129, 130, 135; 379/430, 431;  
381/380, 381, 374, 370, 74; 455/90.3,  
455/575.1, 569.1, 575.2

CPC ..... H04R 25/00; H04R 25/02; H04R 1/1066;  
H04R 1/1016; H04R 5/033; H04R  
5/0335; H04R 1/10; H04R 1/1091; H04R  
1/1058

See application file for complete search history.

(56) **References Cited**

**U.S. PATENT DOCUMENTS**

- 1,483,315 A \* 2/1924 Saal ..... H04R 1/1066  
381/374
- 2,360,027 A \* 10/1944 Werner ..... H04M 1/05  
379/430
- D254,183 S \* 2/1980 Doodson ..... D14/205
- D262,019 S \* 11/1981 Upshaw ..... D14/205
- D291,198 S \* 8/1987 Bellini ..... D14/205
- 4,796,307 A \* 1/1989 Vantine ..... A63B 71/10  
2/13
- D302,429 S \* 7/1989 Leer ..... D14/137

- D315,561 S \* 3/1991 Miller ..... D14/192
- 5,117,465 A \* 5/1992 MacDonald ..... H04R 1/10  
381/150
- D358,391 S \* 5/1995 Isono ..... D14/205
- 6,016,347 A \* 1/2000 Magnasco ..... H04R 1/1041  
379/430
- D423,012 S \* 4/2000 Yasutomi ..... D14/205
- 6,496,589 B1 \* 12/2002 Pham ..... H04R 1/08  
381/370

(Continued)

**FOREIGN PATENT DOCUMENTS**

- EM 002814079-0001 \* 10/2015
- EM 002814079-0002 \* 10/2015

(Continued)

**OTHER PUBLICATIONS**

Paterson et al., "Communications Headset or Headphone," Design U.S. Appl. No. 29/606,288, filed Jun. 2, 2017 (12 pages).

*Primary Examiner* — Paula Allen Greene

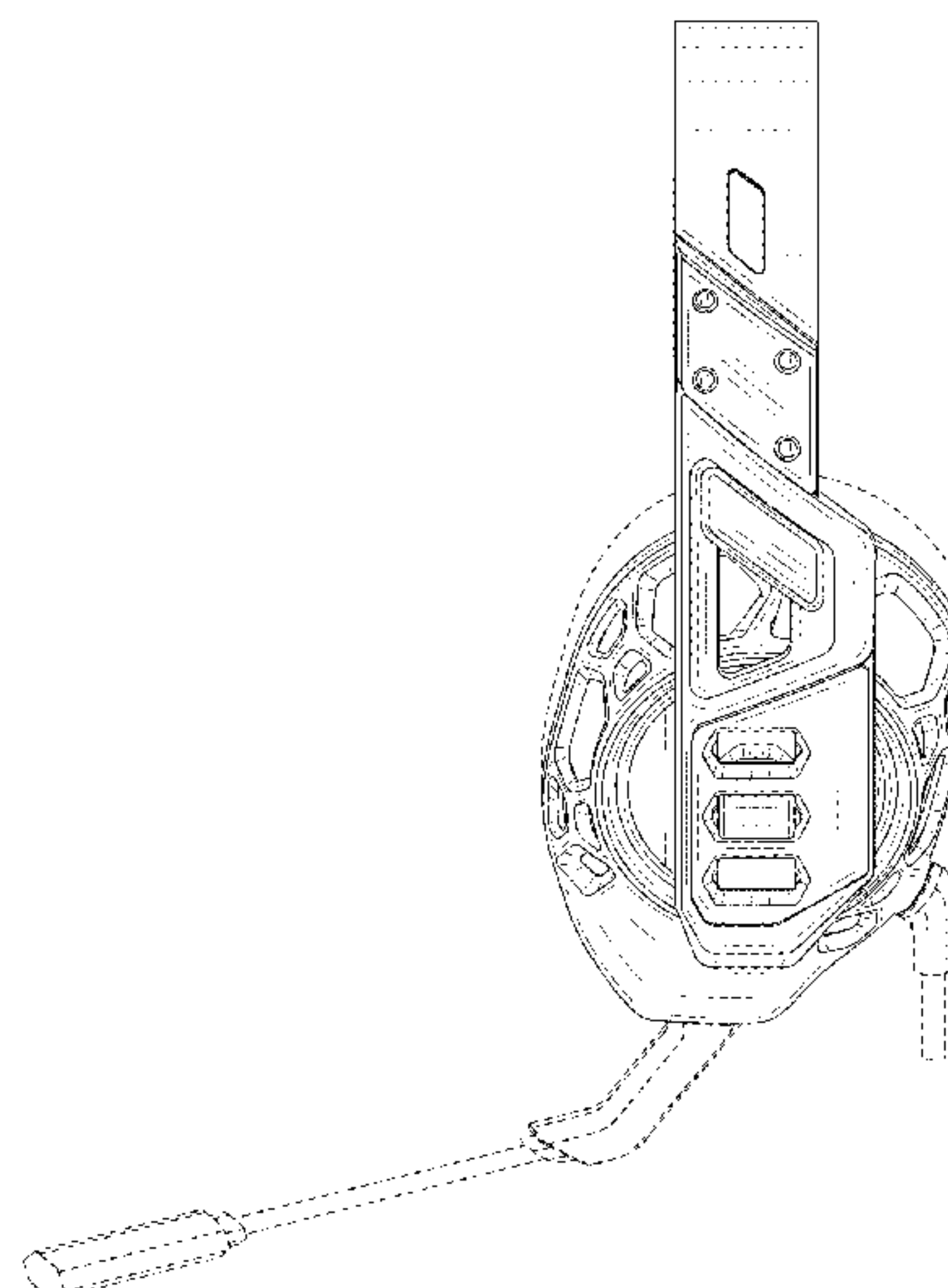
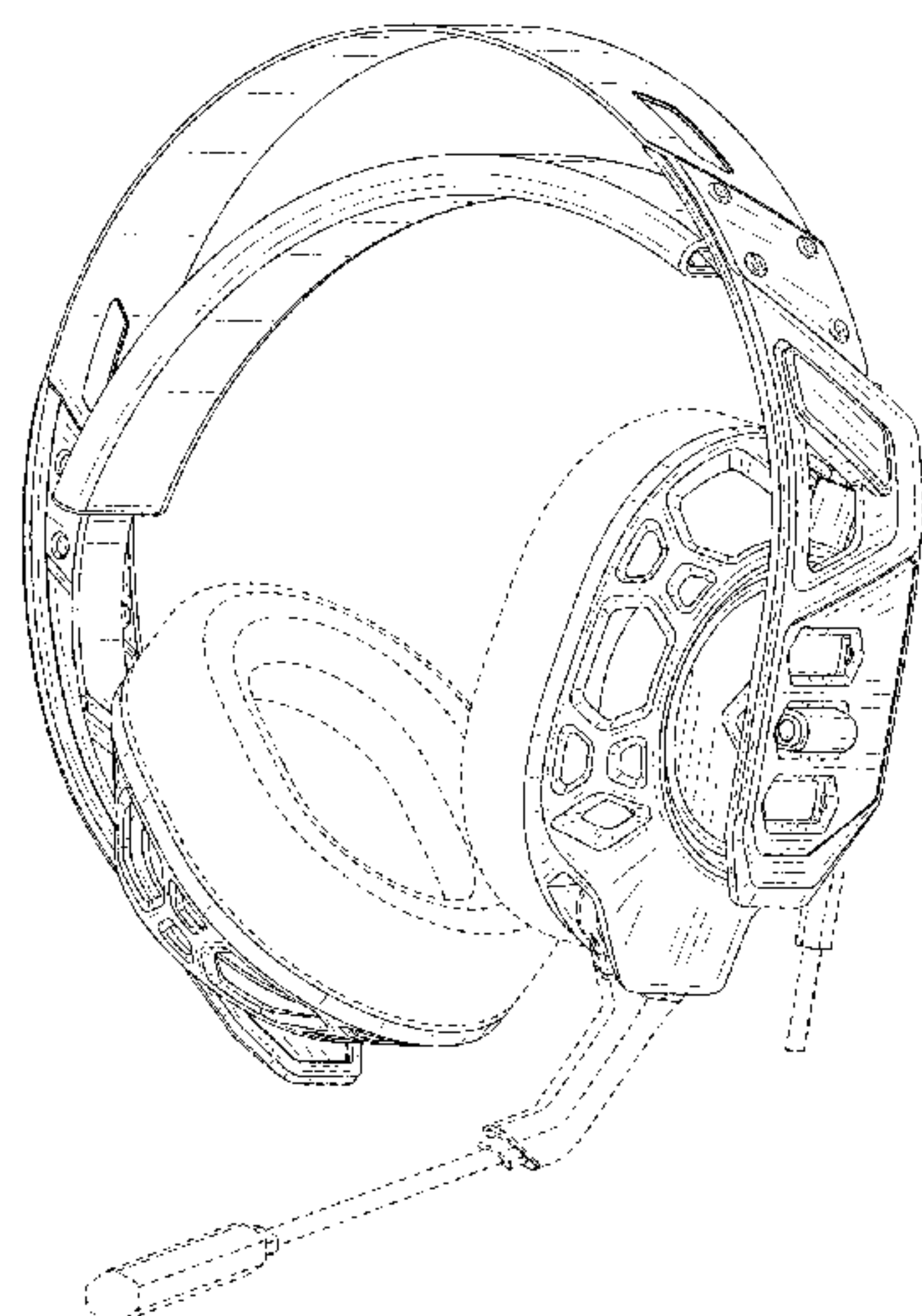
(57) **CLAIM**

The ornamental design for a communications headset or headphone, as shown and described.

**DESCRIPTION**

FIG. 1 is a front-right perspective view of a communications headset or headphone showing my new design; FIG. 2 is a back-left perspective view thereof; FIG. 3 is a front view thereof; FIG. 4 is a back view thereof; FIG. 5 is a left-side view thereof; FIG. 6 is a right-side view thereof; FIG. 7 is a top view thereof; and, FIG. 8 is a bottom view thereof. The broken lines showing the unclaimed features form no part of the claimed design.

**1 Claim, 8 Drawing Sheets**



(56)

References Cited

U.S. PATENT DOCUMENTS

D484,485 S \* 12/2003 Matsuoka ..... D14/205  
 6,678,897 B2 \* 1/2004 Lindgren ..... A61F 11/14  
 181/129  
 6,724,906 B2 \* 4/2004 Naksen ..... H04R 1/1066  
 381/370  
 6,772,853 B2 \* 8/2004 Yang ..... H04R 1/1066  
 181/129  
 D502,939 S \* 3/2005 Dayan ..... D14/216  
 D517,527 S \* 3/2006 Suzuki ..... D14/205  
 D549,688 S \* 8/2007 Suzuki ..... D14/205  
 D566,689 S \* 4/2008 Wang ..... D14/206  
 7,457,649 B1 \* 11/2008 Wilson ..... H04R 1/1025  
 379/428.02  
 D604,266 S \* 11/2009 Milde ..... D14/205  
 7,735,154 B2 \* 6/2010 Gellis ..... A61F 11/14  
 2/209  
 D620,474 S \* 7/2010 Komiyama ..... D14/205  
 D634,732 S \* 3/2011 Kondo ..... D14/205  
 D635,958 S \* 4/2011 Ando ..... D14/205  
 D641,727 S \* 7/2011 Krauss ..... D14/206  
 D645,023 S \* 9/2011 Brandis ..... D14/206  
 8,050,444 B2 \* 11/2011 Smith ..... H04R 1/1066  
 381/370  
 8,213,667 B2 \* 7/2012 Nelson ..... F16C 11/06  
 381/370  
 8,443,467 B2 \* 5/2013 Chiang ..... A61F 11/06  
 2/209  
 D690,284 S \* 9/2013 Brennwald ..... D14/205  
 D696,229 S \* 12/2013 LoRusso ..... D14/206  
 8,732,864 B2 \* 5/2014 Fountain ..... A61F 11/14  
 2/209  
 D713,375 S \* 9/2014 Dedinas ..... D14/206  
 D713,376 S \* 9/2014 Dedinas ..... D14/206  
 D723,509 S \* 3/2015 Garland ..... D14/205  
 D725,636 S \* 3/2015 McNamara ..... D14/205

D732,001 S \* 6/2015 Licht ..... D14/205  
 D745,860 S \* 12/2015 Logan ..... D14/206  
 D746,793 S \* 1/2016 Logan ..... D14/206  
 D766,206 S \* 9/2016 Paterson ..... D14/205  
 D766,207 S \* 9/2016 Paterson ..... D14/205  
 D766,208 S \* 9/2016 Paterson ..... D14/205  
 D788,071 S \* 5/2017 Logan ..... D14/205  
 D800,091 S \* 10/2017 Paterson ..... D14/206  
 D800,092 S \* 10/2017 Paterson ..... D14/206  
 9,788,100 B2 \* 10/2017 Essabar ..... H04R 1/1033  
 D805,257 S \* 12/2017 Maansson ..... D29/122  
 D807,585 S \* 1/2018 Fletcher ..... D29/112  
 9,866,946 B2 \* 1/2018 Chen ..... H04B 1/385  
 D843,343 S \* 3/2019 Paterson ..... D14/205  
 10,231,055 B2 \* 3/2019 Nyegaard ..... H04R 1/1058  
 D848,973 S \* 5/2019 Karacal ..... D14/205  
 2001/0017925 A1 \* 8/2001 Ceravolo ..... H04M 1/05  
 381/370  
 2003/0037366 A1 \* 2/2003 Lindgren ..... A61F 11/14  
 2/209  
 2003/0210801 A1 \* 11/2003 Naksen ..... H04R 1/1066  
 381/370  
 2006/0104471 A1 \* 5/2006 Tsunoda ..... H04R 1/1041  
 381/374  
 2011/0194721 A1 \* 8/2011 Schmidt ..... H04R 1/1066  
 381/370  
 2014/0177884 A1 \* 6/2014 Minarik ..... H04R 1/1066  
 381/309  
 2015/0195640 A1 \* 7/2015 Essabar ..... H04R 1/1033  
 381/378  
 2016/0277826 A1 \* 9/2016 Hsieh ..... H04R 5/04  
 2017/0347194 A1 \* 11/2017 Nyegaard ..... H04R 1/1058

FOREIGN PATENT DOCUMENTS

EM 002814079-0003 \* 10/2015  
 EM 003494863-0001 \* 12/2016  
 EM 003494897-0001 \* 12/2016

\* cited by examiner

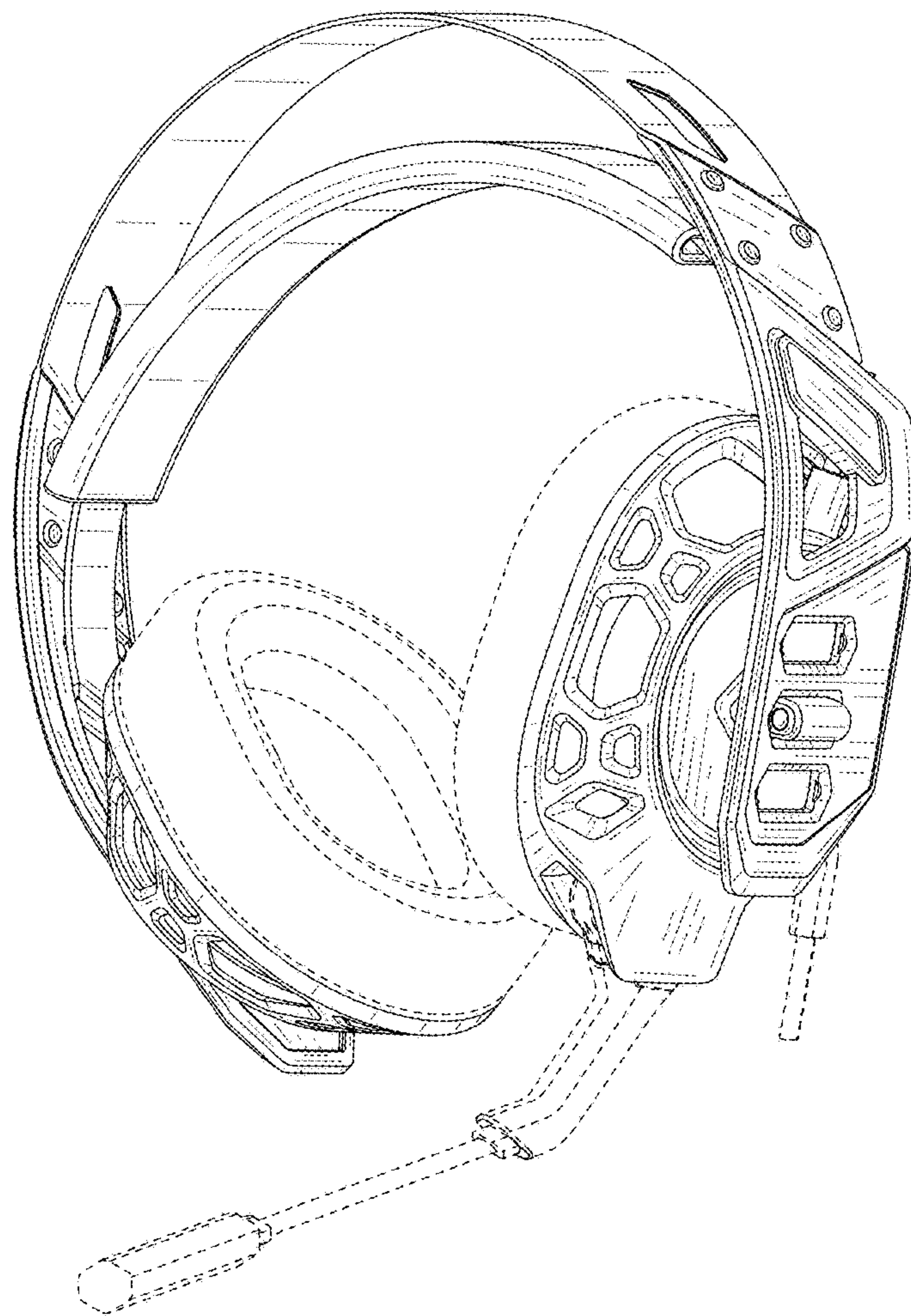


FIG. 1



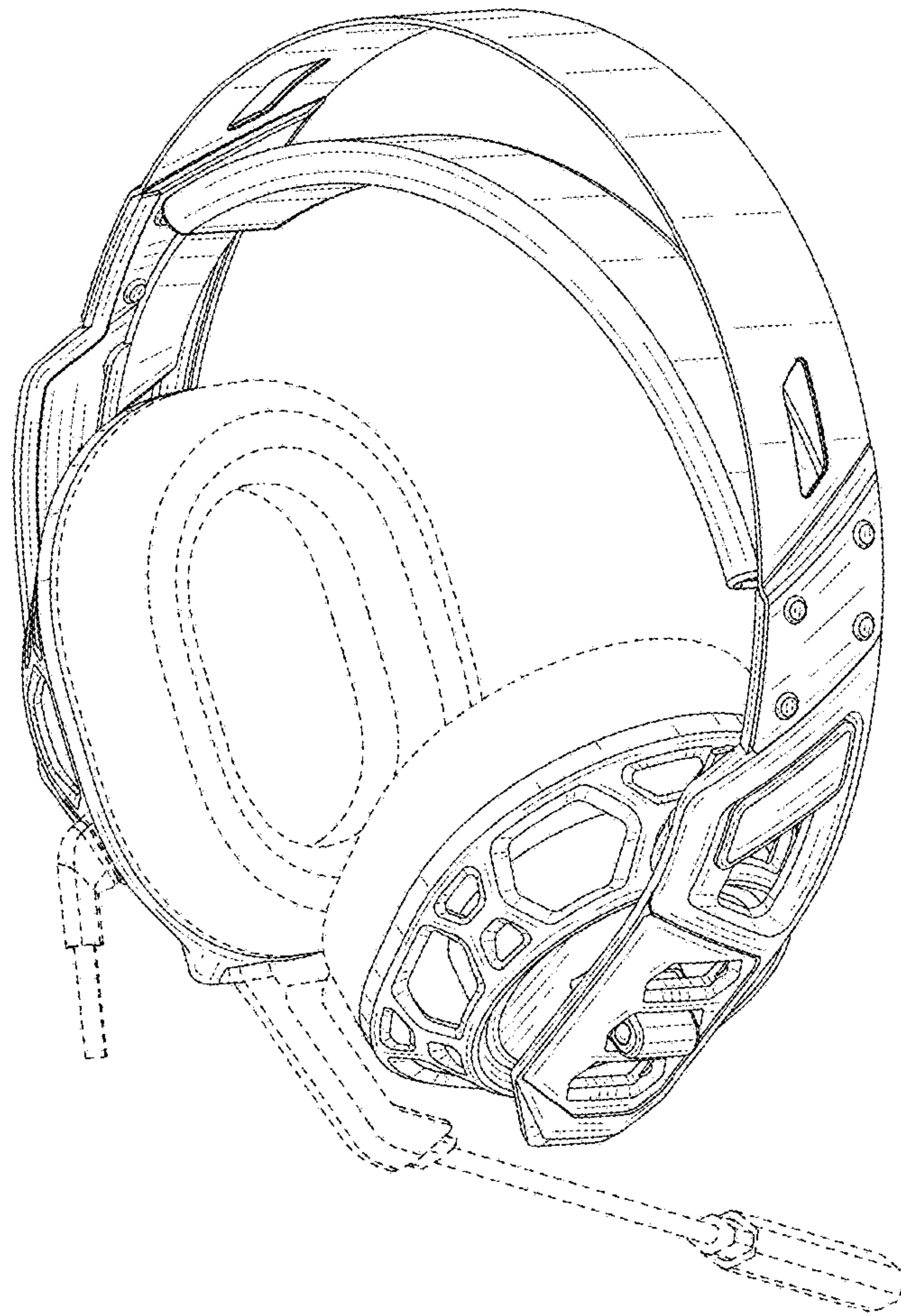


FIG. 2

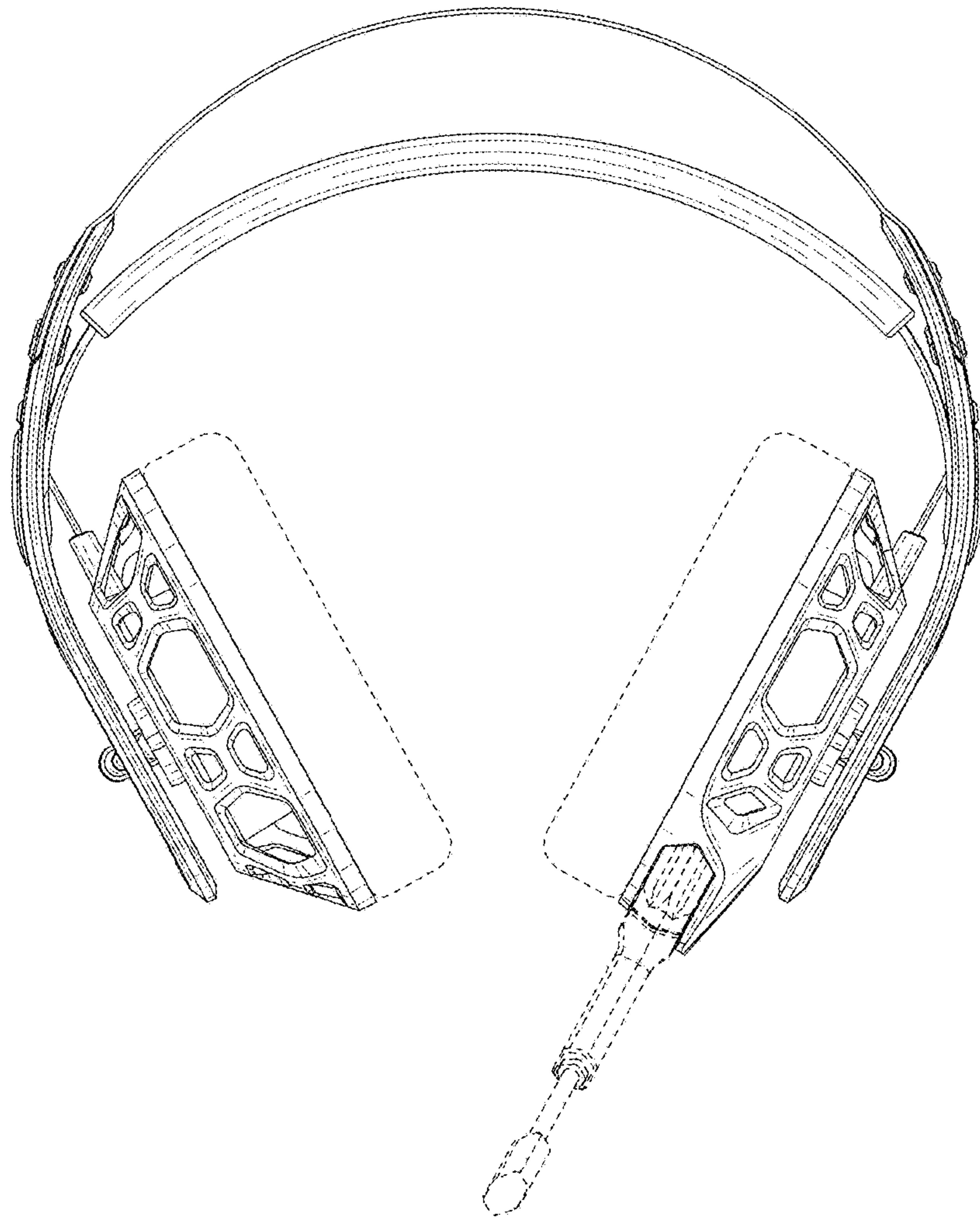


FIG. 3



FIG. 4

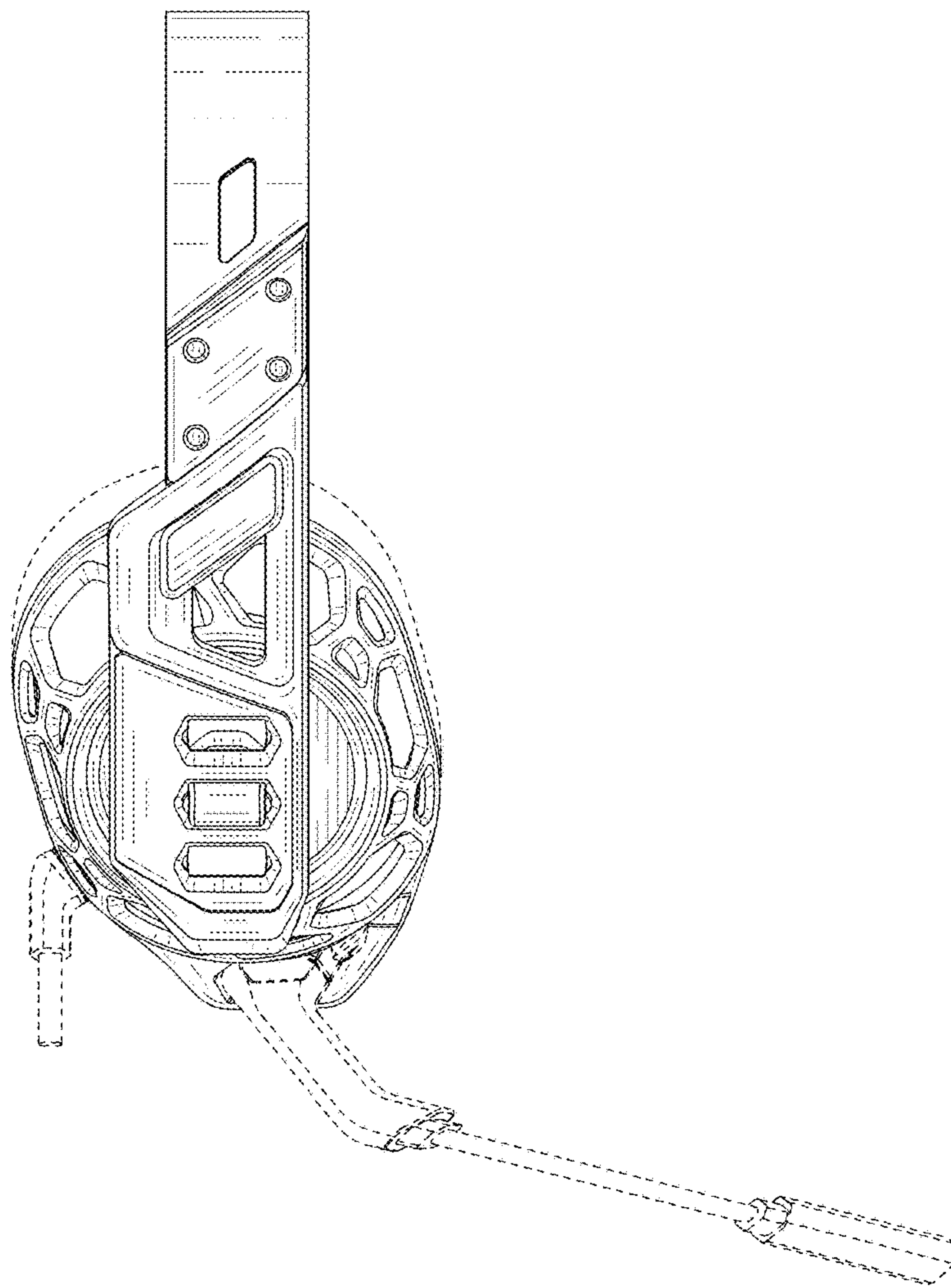


FIG. 5

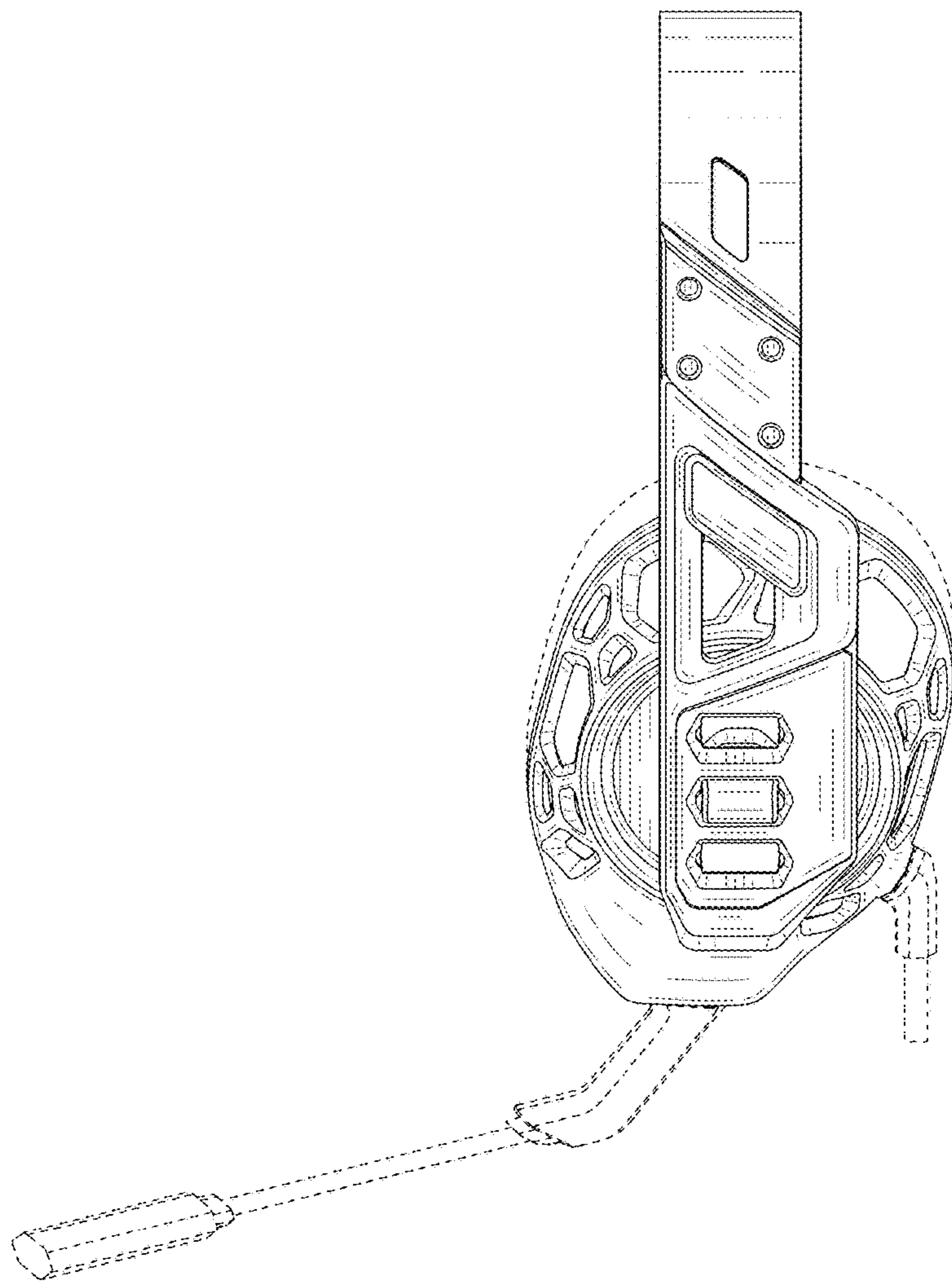


FIG. 6



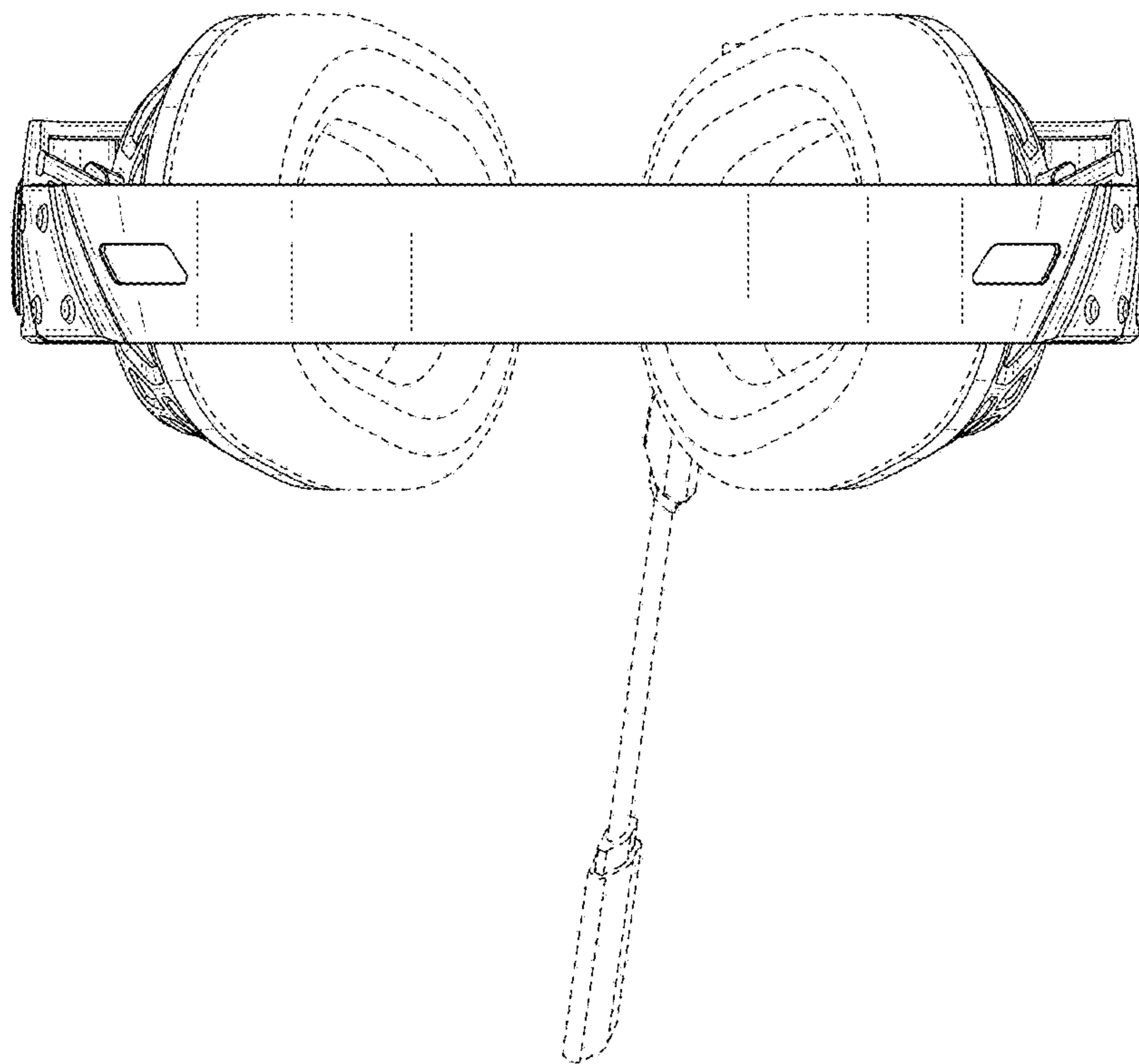


FIG. 7

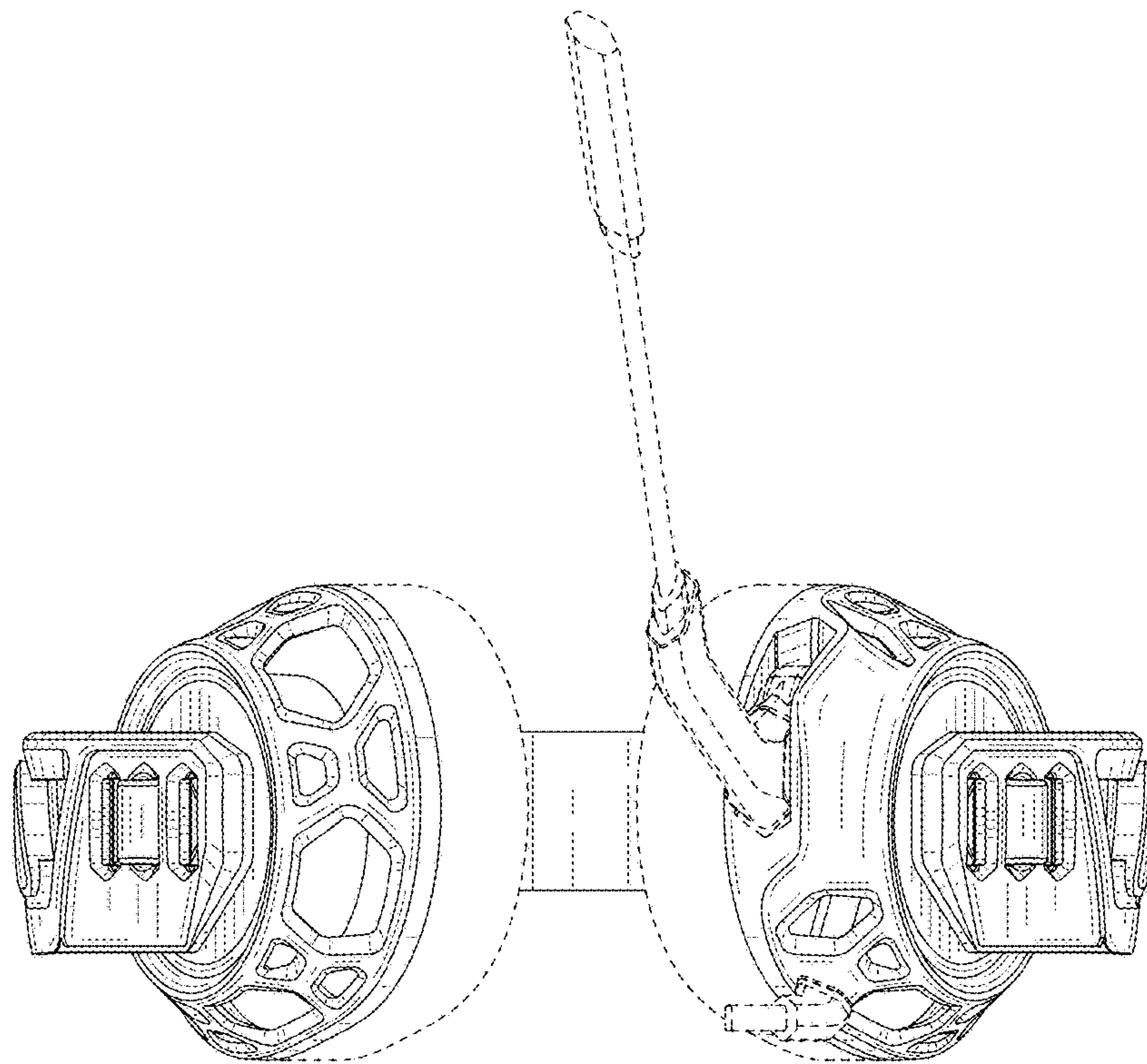


FIG. 8