



US00D868027S

(12) **United States Design Patent**
Paterson

(10) **Patent No.:** **US D868,027 S**

(45) **Date of Patent:** **** Nov. 26, 2019**

(54) **COMMUNICATIONS HEADSET OR HEADPHONE**

(71) Applicant: **Plantronics, Inc.**, Santa Cruz, CA (US)

(72) Inventor: **Nicholas W Paterson**, Santa Cruz, CA (US)

(73) Assignee: **Plantronics, Inc.**, Santa Cruz, CA (US)

(**) Term: **15 Years**

(21) Appl. No.: **29/653,425**

(22) Filed: **Jun. 14, 2018**

(51) **LOC (12) Cl.** **14-01**

(52) **U.S. Cl.**

USPC **D14/205**; D14/206; D14/226

(58) **Field of Classification Search**

USPC D14/205, 206, 372; D28/41; 132/275;
D29/112; 2/209; 181/129, 130, 135;
379/430, 431; 381/380, 381, 374, 370,
381/74; 455/90.3, 575.1, 569.1, 575.2
CPC H04R 25/00; H04R 25/02; H04R 1/1066;
H04R 1/1016; H04R 5/033; H04R
5/0335; H04R 1/10; H04R 1/1091; H04R
1/1058

See application file for complete search history.

(56) **References Cited**

U.S. PATENT DOCUMENTS

1,483,315 A * 2/1924 Saal H04R 1/1066
381/374
2,360,027 A * 10/1944 Werner H04M 1/05
379/430
D254,183 S * 2/1980 Doodson D14/205
D262,019 S * 11/1981 Upshaw D14/205
D291,198 S * 8/1987 Bellini D14/205
4,796,307 A * 1/1989 Vantine A63B 71/10
2/13
D302,429 S * 7/1989 Leer D14/137
D315,561 S * 3/1991 Miller D14/192

5,117,465 A * 5/1992 MacDonald H04R 1/10
381/150
D358,391 S * 5/1995 Isono D14/205
6,016,347 A * 1/2000 Magnasco H04R 1/1041
379/430
D423,012 S * 4/2000 Yasutomi D14/205
6,496,589 B1 * 12/2002 Pham H04R 1/08
381/370
D484,485 S * 12/2003 Matsuoka D14/205

(Continued)

FOREIGN PATENT DOCUMENTS

EM 002814079-0001 * 10/2015
EM 002814079-0002 * 10/2015

(Continued)

OTHER PUBLICATIONS

Paterson et al., "Communications Headset or Headphone," Design U.S. Appl. No. 29/606,288, filed Jun. 2, 2017 (12 pages).

Primary Examiner — Paula Allen Greene

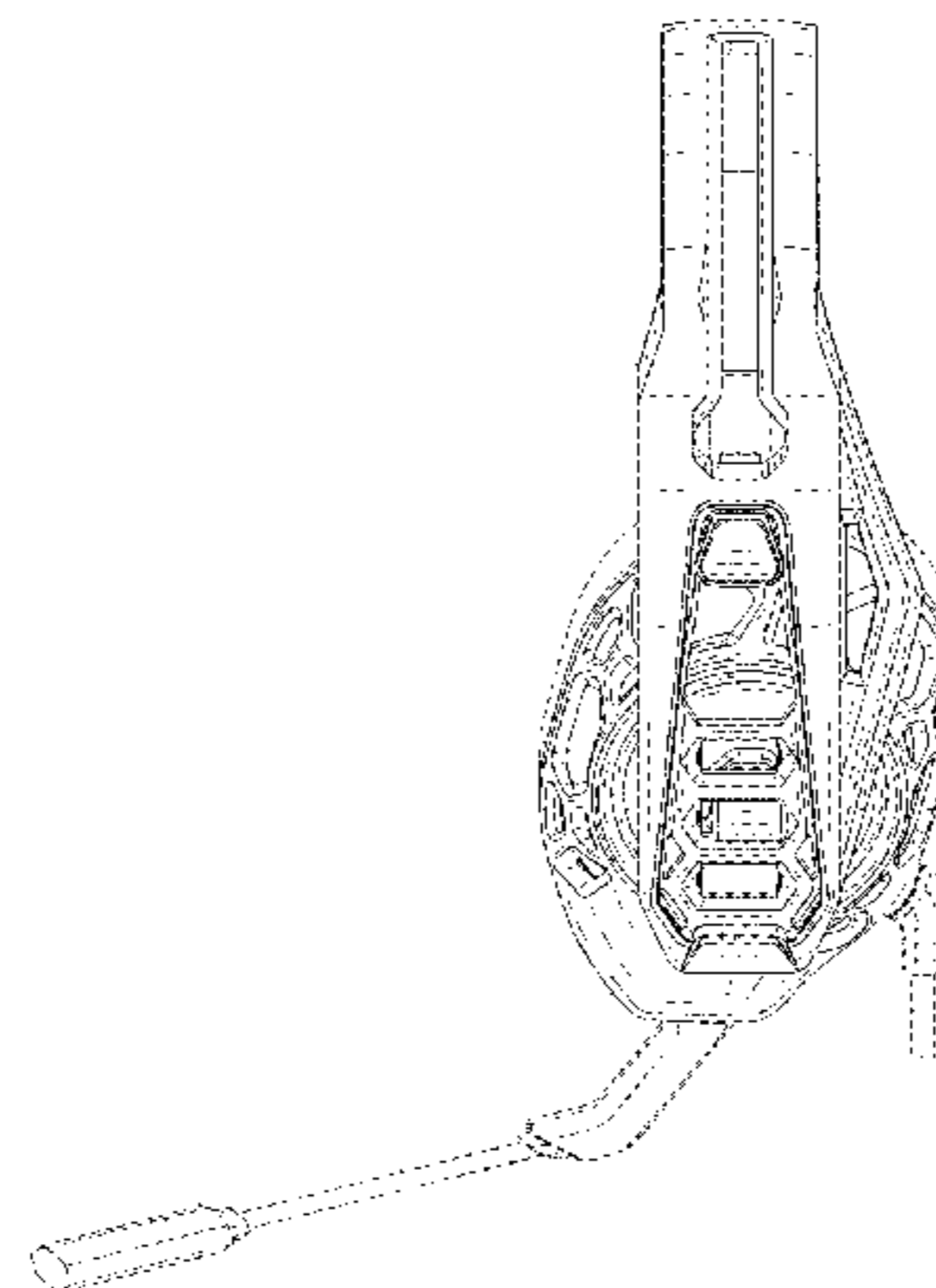
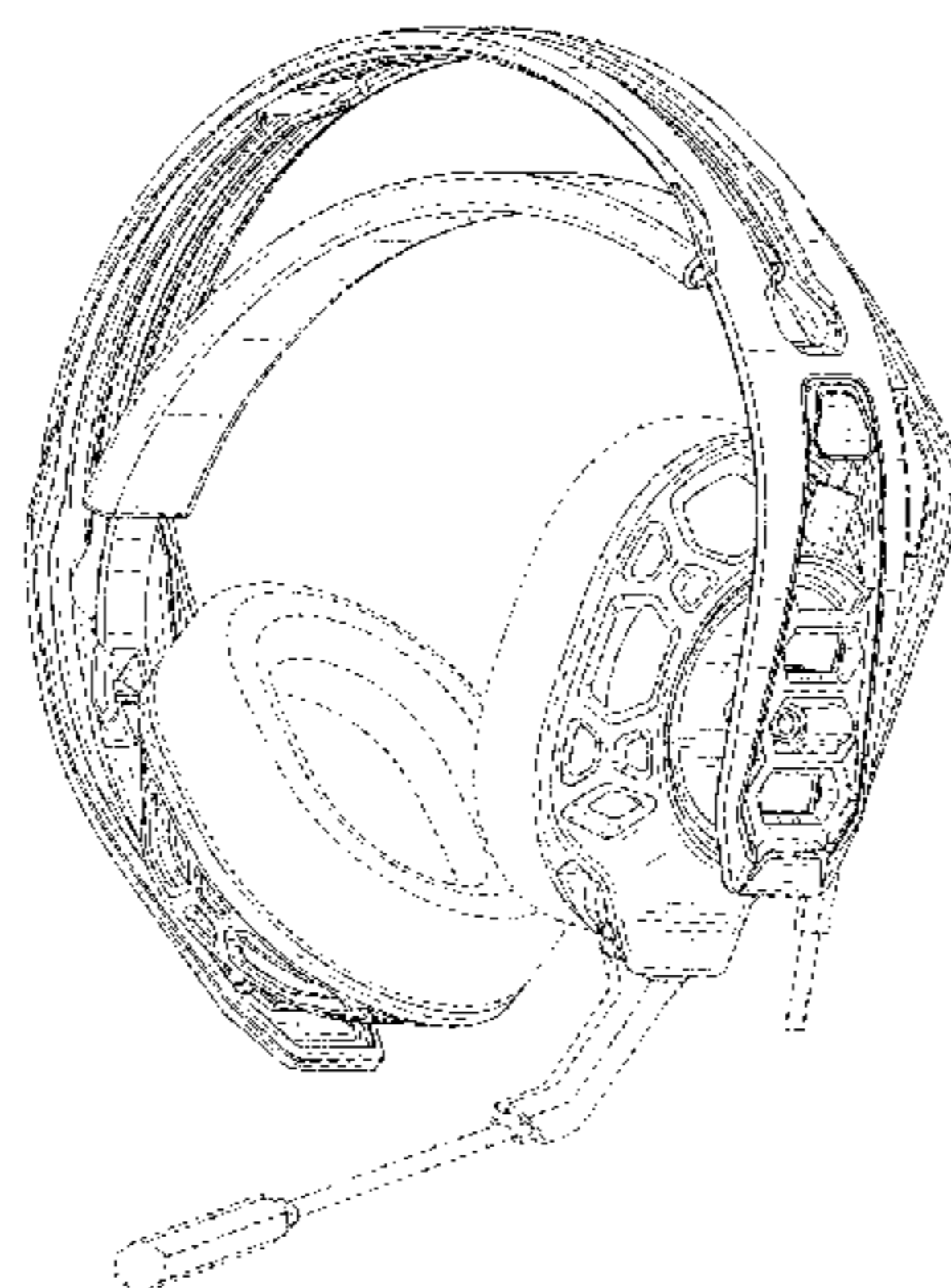
(57) **CLAIM**

The ornamental design for a communications headset or headphone, as shown and described.

DESCRIPTION

FIG. 1 is a front-right perspective view of a communications headset or headphone showing my new design; FIG. 2 is a back-left perspective view thereof; FIG. 3 is a front view thereof; FIG. 4 is a back view thereof; FIG. 5 is a left-side view thereof; FIG. 6 is a right-side view thereof; FIG. 7 is a top view thereof; and, FIG. 8 is a bottom view thereof. The broken lines showing the unclaimed features form no part of the claimed design.

1 Claim, 8 Drawing Sheets



(56)

References Cited

U.S. PATENT DOCUMENTS

6,678,897 B2 * 1/2004 Lindgren A61F 11/14
181/129
6,724,906 B2 * 4/2004 Naksen H04R 1/1066
381/370
6,772,853 B2 * 8/2004 Yang H04R 1/1066
181/129
D502,939 S * 3/2005 Dayan D14/216
D517,527 S * 3/2006 Suzuki D14/205
D549,688 S * 8/2007 Suzuki D14/205
D566,689 S * 4/2008 Wang D14/206
7,457,649 B1 * 11/2008 Wilson H04R 1/1025
379/428.02
D604,266 S * 11/2009 Milde D14/205
7,735,154 B2 * 6/2010 Gellis A61F 11/14
2/209
D620,474 S * 7/2010 Komiyama D14/205
D622,490 S * 8/2010 McClaskie D2/951
D634,732 S * 3/2011 Kondo D14/205
D635,958 S * 4/2011 Ando D14/205
D641,727 S * 7/2011 Krauss D14/206
D645,023 S * 9/2011 Brandis D14/206
8,050,444 B2 * 11/2011 Smith H04R 1/1066
381/370
8,213,667 B2 * 7/2012 Nelson F16C 11/06
381/370
8,443,467 B2 * 5/2013 Chiang A61F 11/06
2/209
D690,284 S * 9/2013 Brennwald D14/205
D696,229 S * 12/2013 LoRusso D14/206
8,732,864 B2 * 5/2014 Fountain A61F 11/14
2/209
D713,375 S * 9/2014 Dedinas D14/206
D713,376 S * 9/2014 Dedinas D14/206
D723,509 S * 3/2015 Garland D14/205
D725,636 S * 3/2015 McNamara D14/205

D732,001 S * 6/2015 Licht D14/205
D745,860 S * 12/2015 Logan D14/206
D746,793 S * 1/2016 Logan D14/206
D766,206 S * 9/2016 Paterson D14/205
D766,207 S * 9/2016 Paterson D14/205
D766,208 S * 9/2016 Paterson D14/205
D788,071 S * 5/2017 Logan D14/205
D800,091 S * 10/2017 Paterson D14/206
D800,092 S * 10/2017 Paterson D14/206
9,788,100 B2 * 10/2017 Essabar H04R 1/1033
D805,257 S * 12/2017 Maansson D29/122
D807,585 S * 1/2018 Fletcher D29/112
9,866,946 B2 * 1/2018 Chen H04B 1/385
D843,343 S * 3/2019 Paterson D14/205
10,231,055 B2 * 3/2019 Nyegaard H04R 1/1058
D848,973 S * 5/2019 Karacal D14/205
2001/0017925 A1 * 8/2001 Ceravolo H04M 1/05
381/370
2003/0037366 A1 * 2/2003 Lindgren A61F 11/14
2/209
2003/0210801 A1 * 11/2003 Naksen H04R 1/1066
381/370
2006/0104471 A1 * 5/2006 Tsunoda H04R 1/1041
381/374
2011/0194721 A1 * 8/2011 Schmidt H04R 1/1066
381/370
2014/0177884 A1 * 6/2014 Minarik H04R 1/1066
381/309
2015/0195640 A1 * 7/2015 Essabar H04R 1/1033
381/378
2016/0277828 A1 * 9/2016 Oh H04R 1/105
2017/0347194 A1 * 11/2017 Nyegaard H04R 1/1058

FOREIGN PATENT DOCUMENTS

EM 002814079-0003 * 10/2015
EM 003494863-0001 * 12/2016
EM 003494897-0001 * 12/2016

* cited by examiner

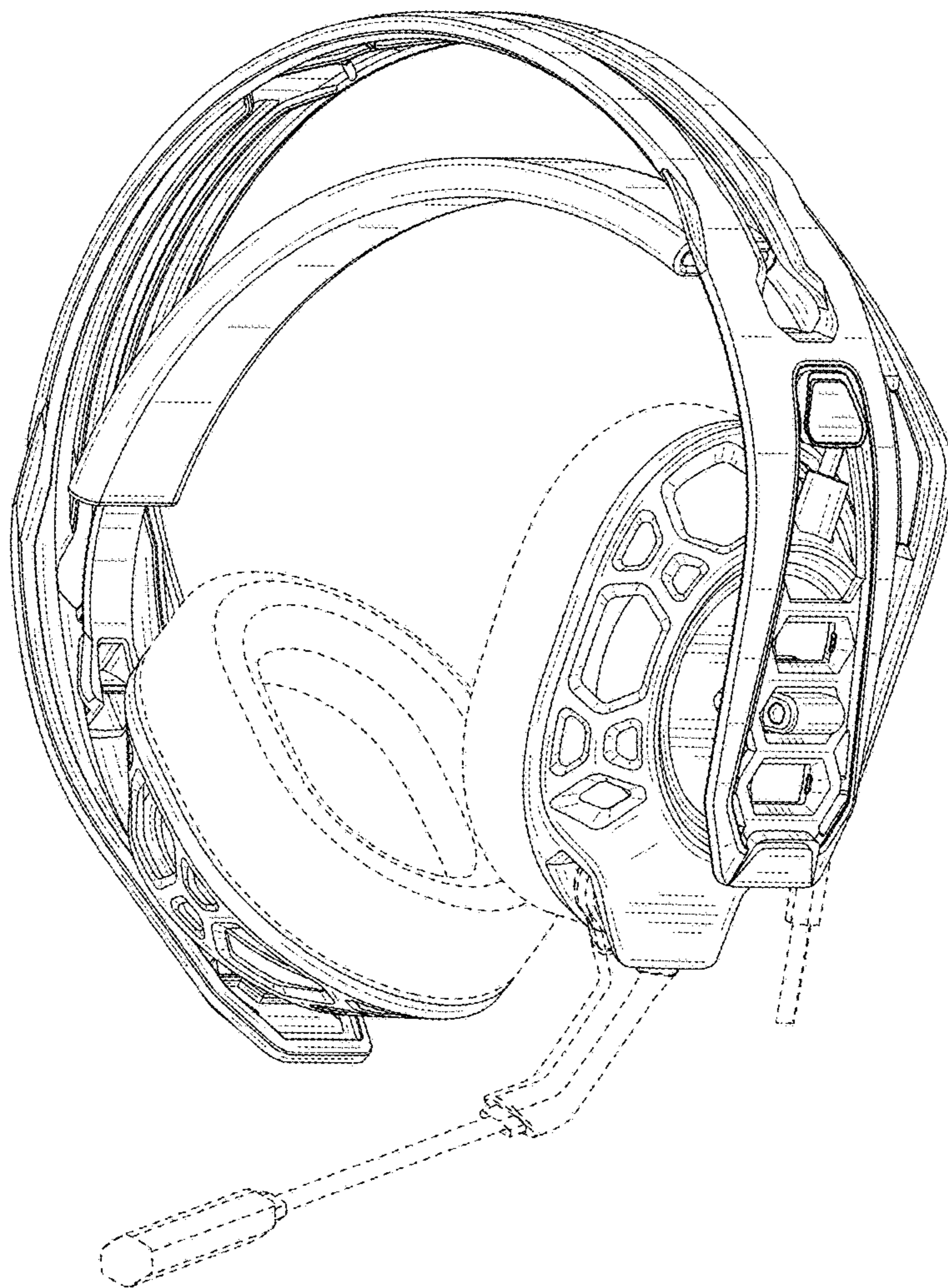


FIG. 1

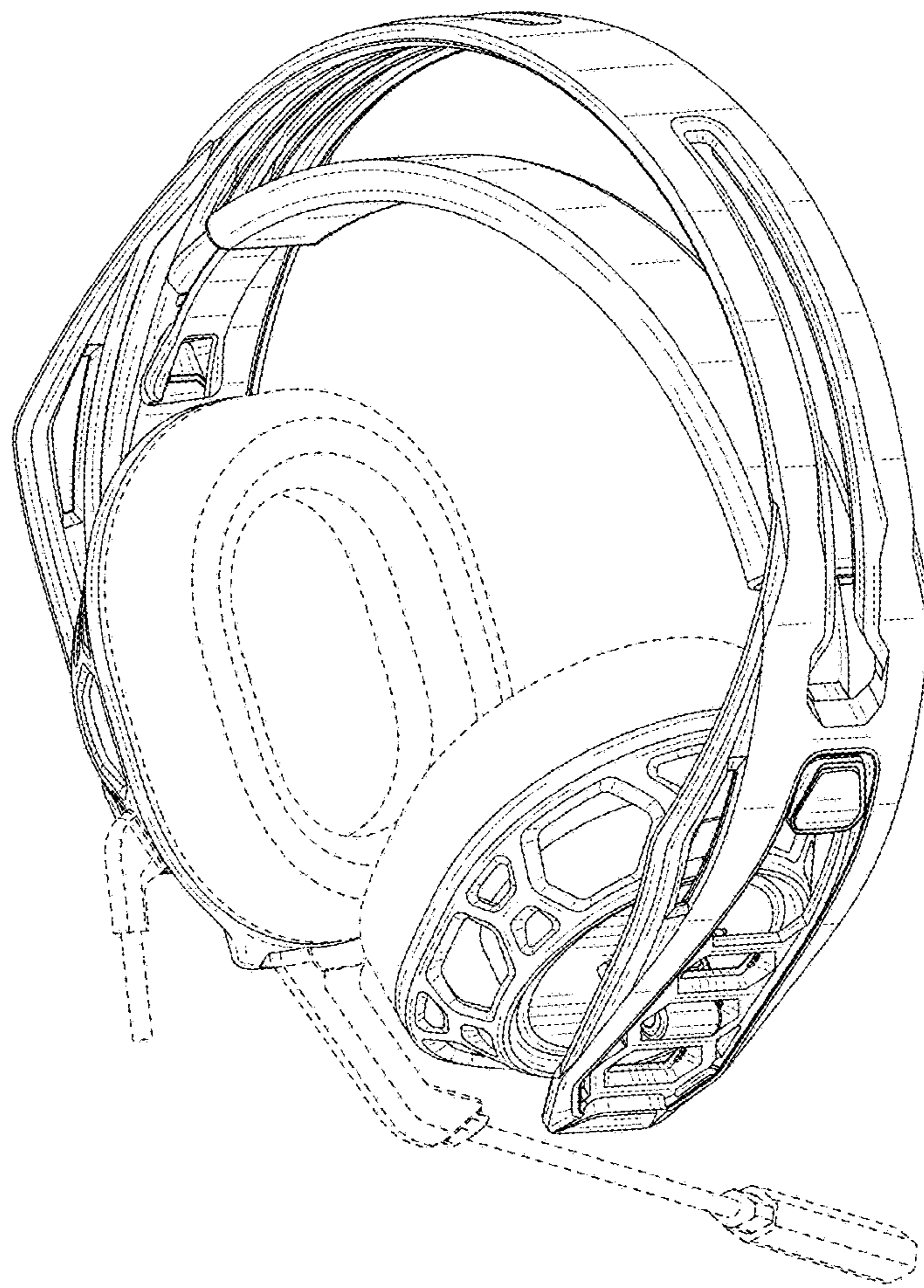


FIG. 2

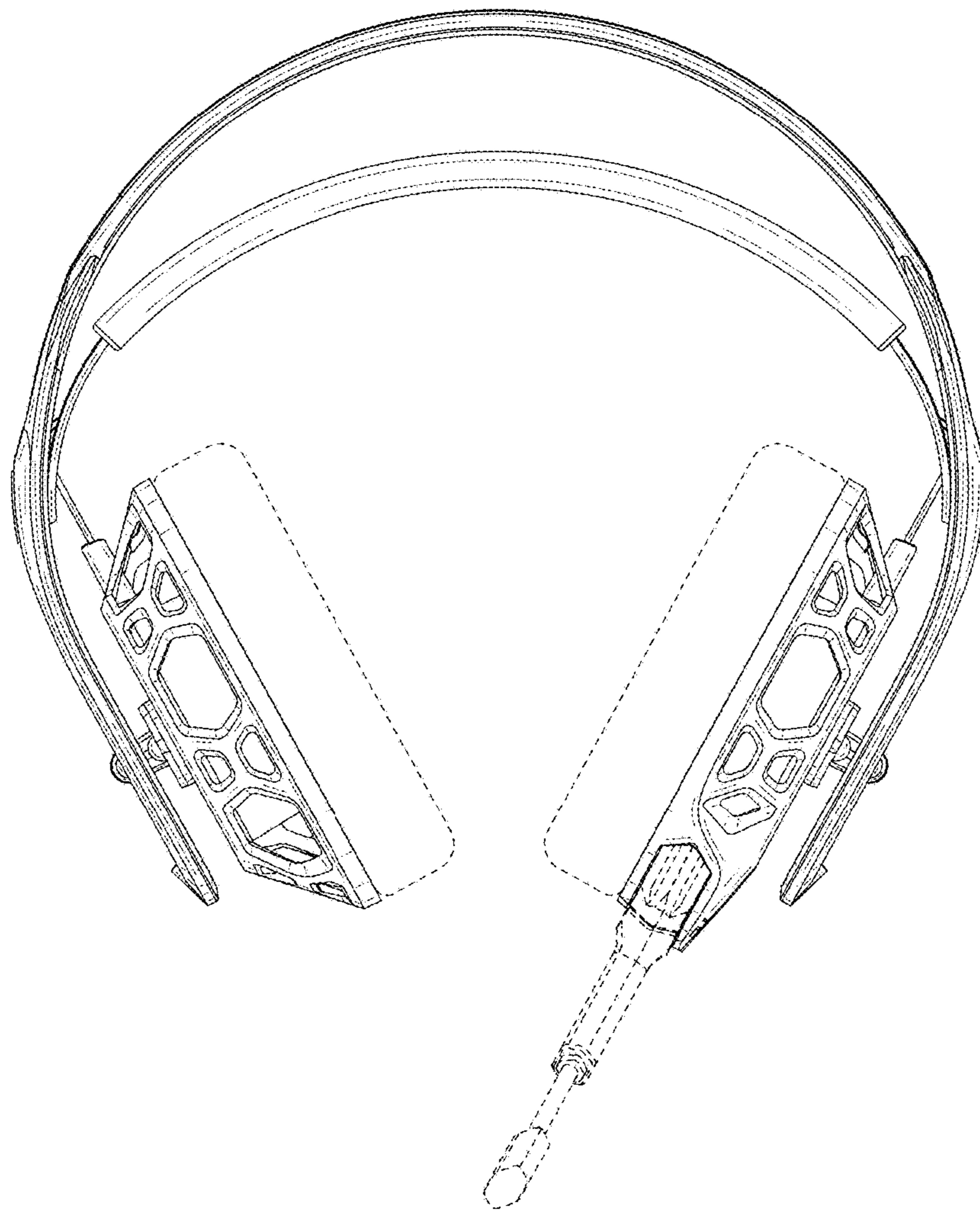


FIG. 3

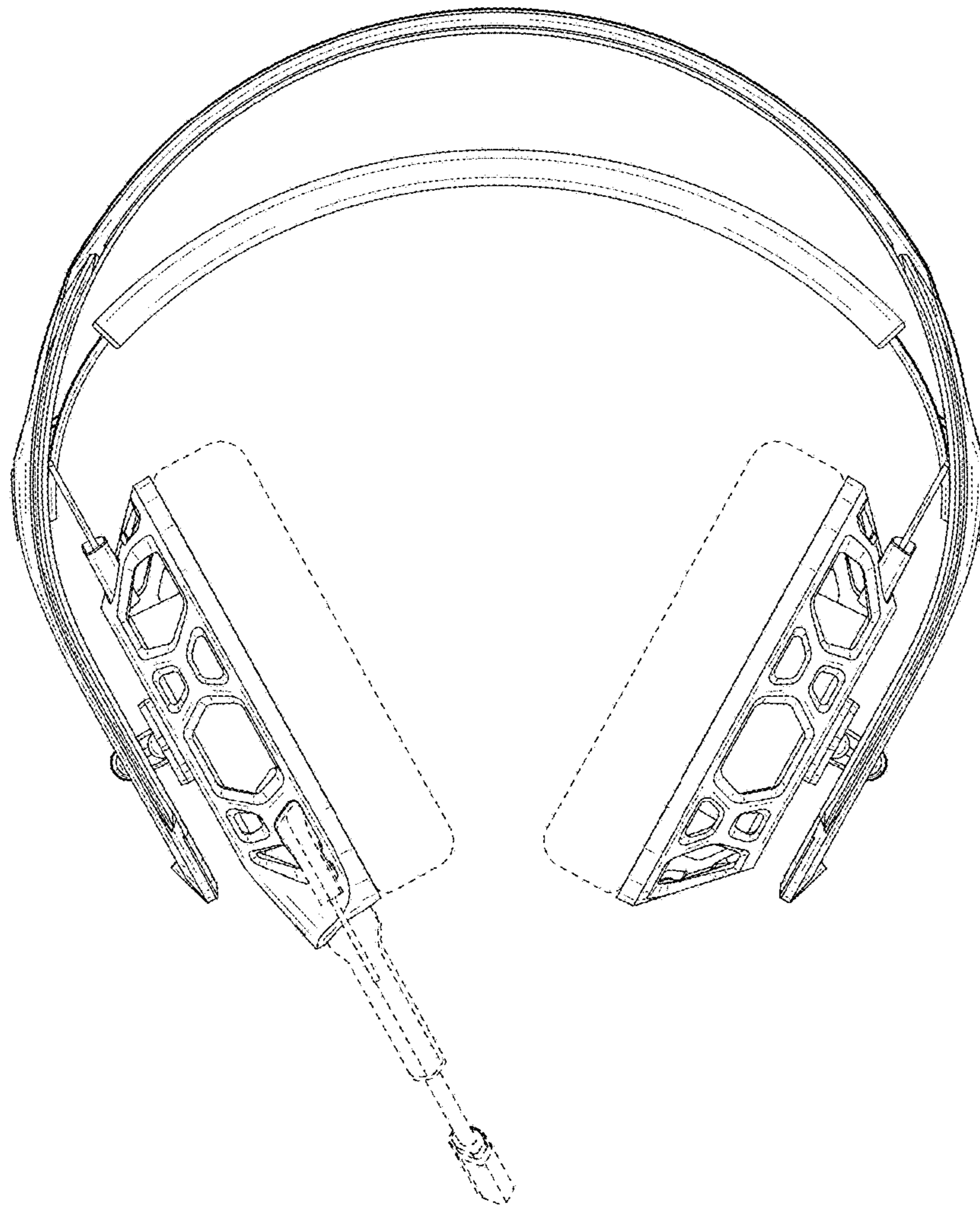


FIG. 4

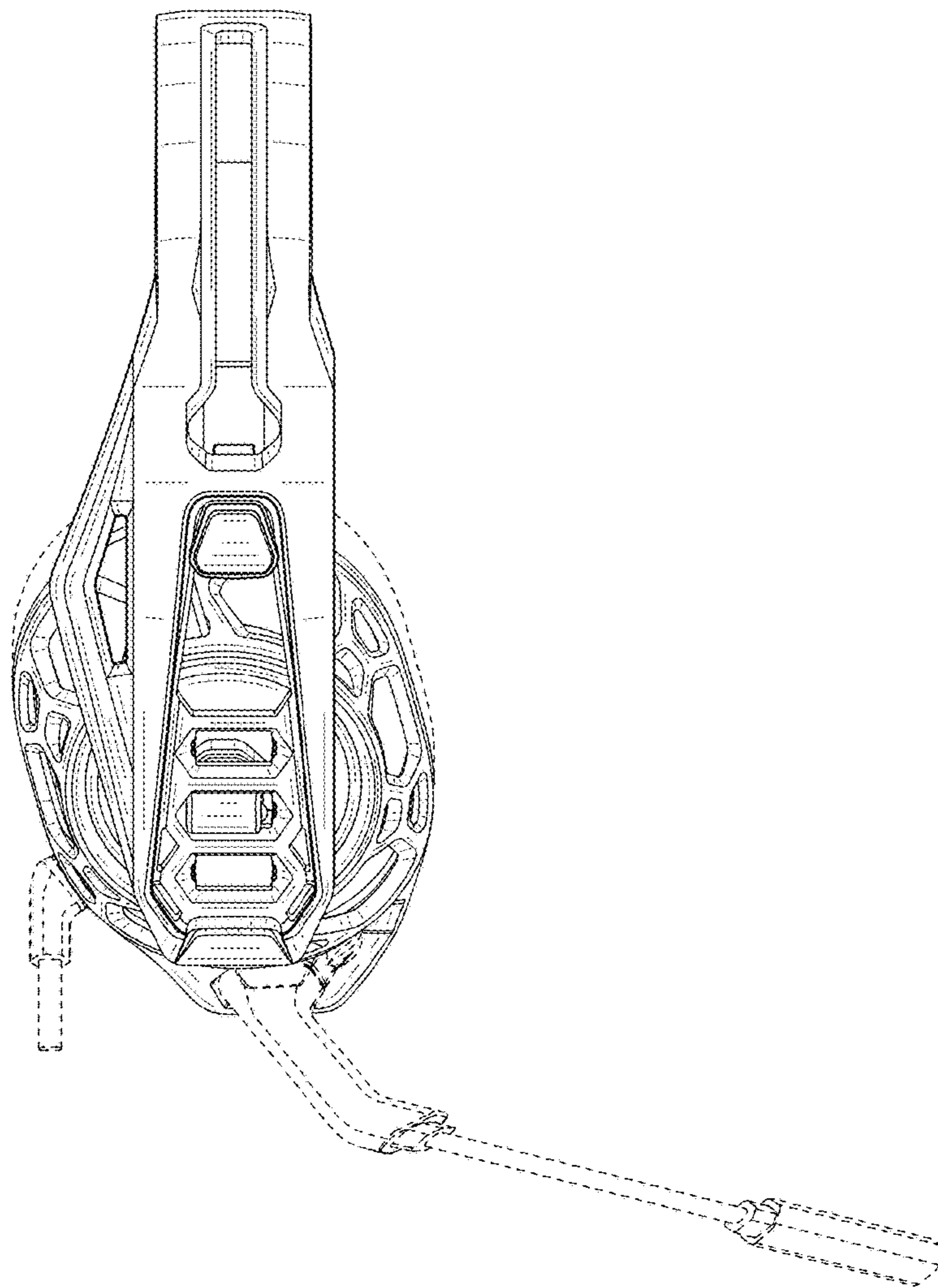


FIG. 5

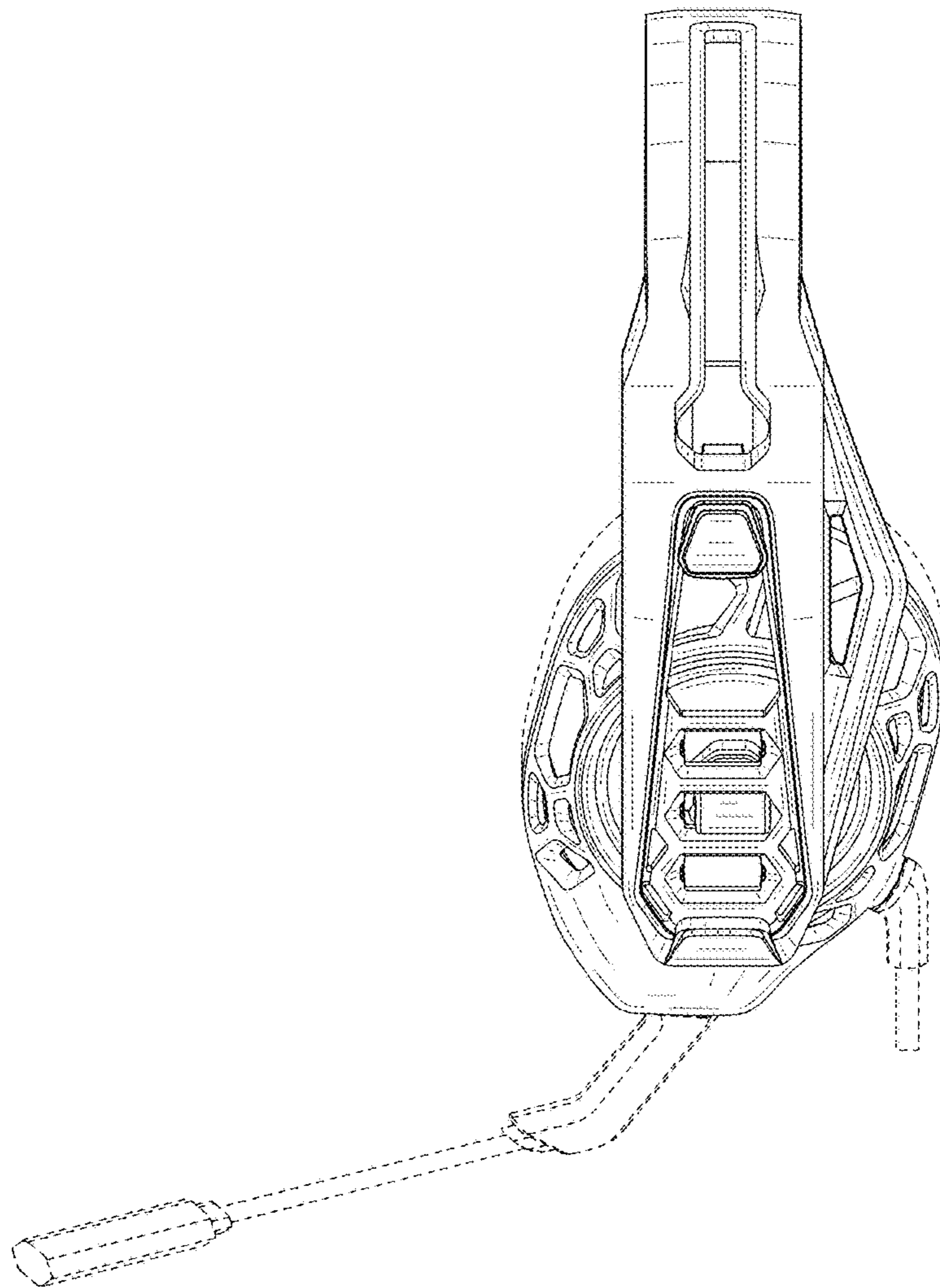


FIG. 6

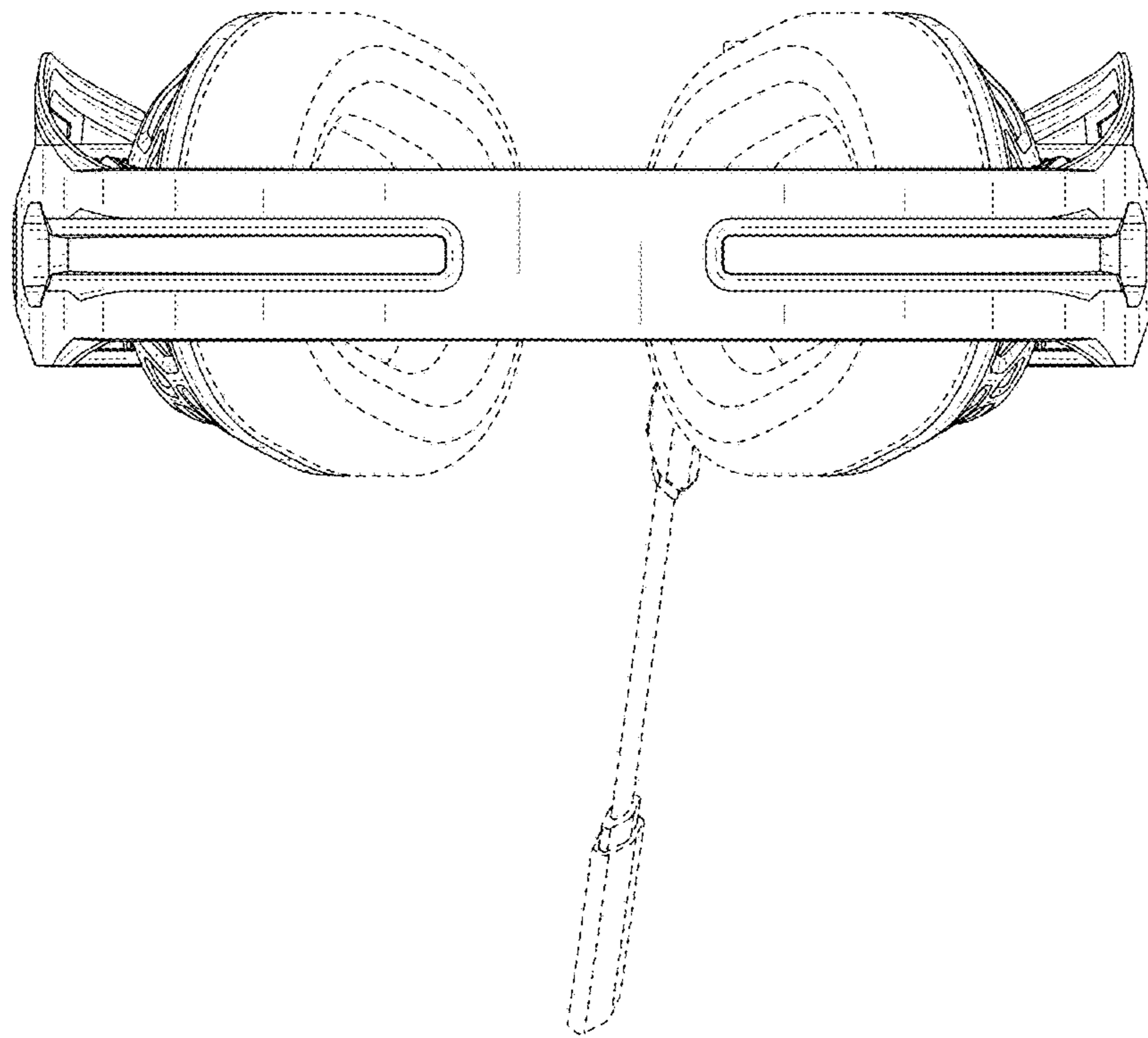


FIG. 7

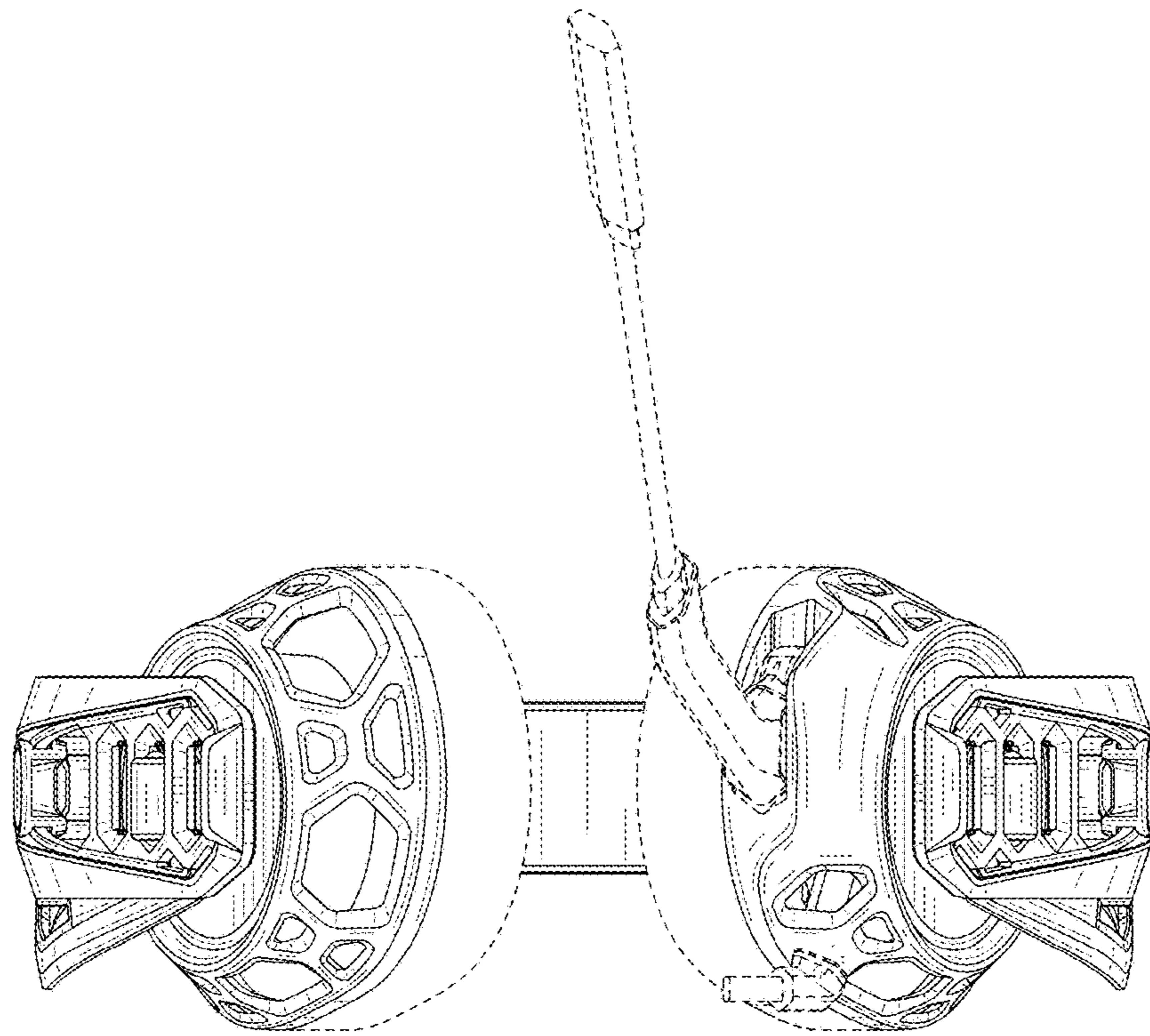


FIG. 8