



US00D868026S

(12) **United States Design Patent**
Hardi et al.

(10) **Patent No.:** **US D868,026 S**

(45) **Date of Patent:** **** Nov. 26, 2019**

(54) **HEADPHONES WITH CONICAL EARPIECES**

(71) Applicants: **Muzik Inc.**, West Hollywood, CA (US);
Guccio Gucci s.P.a., Florence (IT)

(72) Inventors: **Jason Hardi**, Beverly Hills, CA (US);
Alessandro Michele, Rome (IT)

(73) Assignees: **Muzik Inc.**, West Hollywood, CA (US);
Guccio Gucci s.P.a., Florence (IT)

(**) Term: **15 Years**

(21) Appl. No.: **29/646,227**

(22) Filed: **May 2, 2018**

(51) **LOC (12) Cl.** **14-01**

(52) **U.S. Cl.**
USPC **D14/205**

(58) **Field of Classification Search**
USPC D14/205, 207, 223; D29/112; 2/209;
181/129, 130, 135; 379/430, 431;
381/380, 381, 374, 74; 455/90.3, 469.1,
455/575.1

CPC H04R 25/00; H04R 1/1066; H04R 1/1016;
H04R 5/033; H04R 5/0335

See application file for complete search history.

(56) **References Cited**

U.S. PATENT DOCUMENTS

- D155,702 S * 10/1949 Hudson D21/617
- D180,052 S * 4/1957 Young D2/869
- 3,454,964 A * 7/1969 Brinkhoff A61F 11/14
2/209
- 3,506,981 A * 4/1970 Stewart A61F 11/14
2/209
- D228,352 S * 9/1973 Itagaki D14/205
- D348,349 S * 7/1994 Blackwell D2/872
- D380,023 S * 6/1997 Sisler D21/617
- D382,562 S * 8/1997 Leifer D14/207

- D383,136 S * 9/1997 Leifer D14/205
- D386,182 S * 11/1997 Leifer D14/172
- D390,588 S * 2/1998 Wang D16/310
- D394,340 S * 5/1998 Kennard D2/869
- D400,554 S * 11/1998 Wang D16/310
- D430,386 S * 9/2000 Necatera D2/869
- D431,550 S * 10/2000 Yoneda D14/205
- D455,801 S * 4/2002 Chang D21/617
- D458,759 S * 6/2002 Landauer D21/659
- D482,393 S * 11/2003 Hui D19/116

(Continued)

FOREIGN PATENT DOCUMENTS

- CN 304044461 S 2/2017
- EM 005809357 * 10/2018

(Continued)

Primary Examiner — Paula Allen Greene

(74) *Attorney, Agent, or Firm* — Stanek Lemon Crouse & Meeks PA

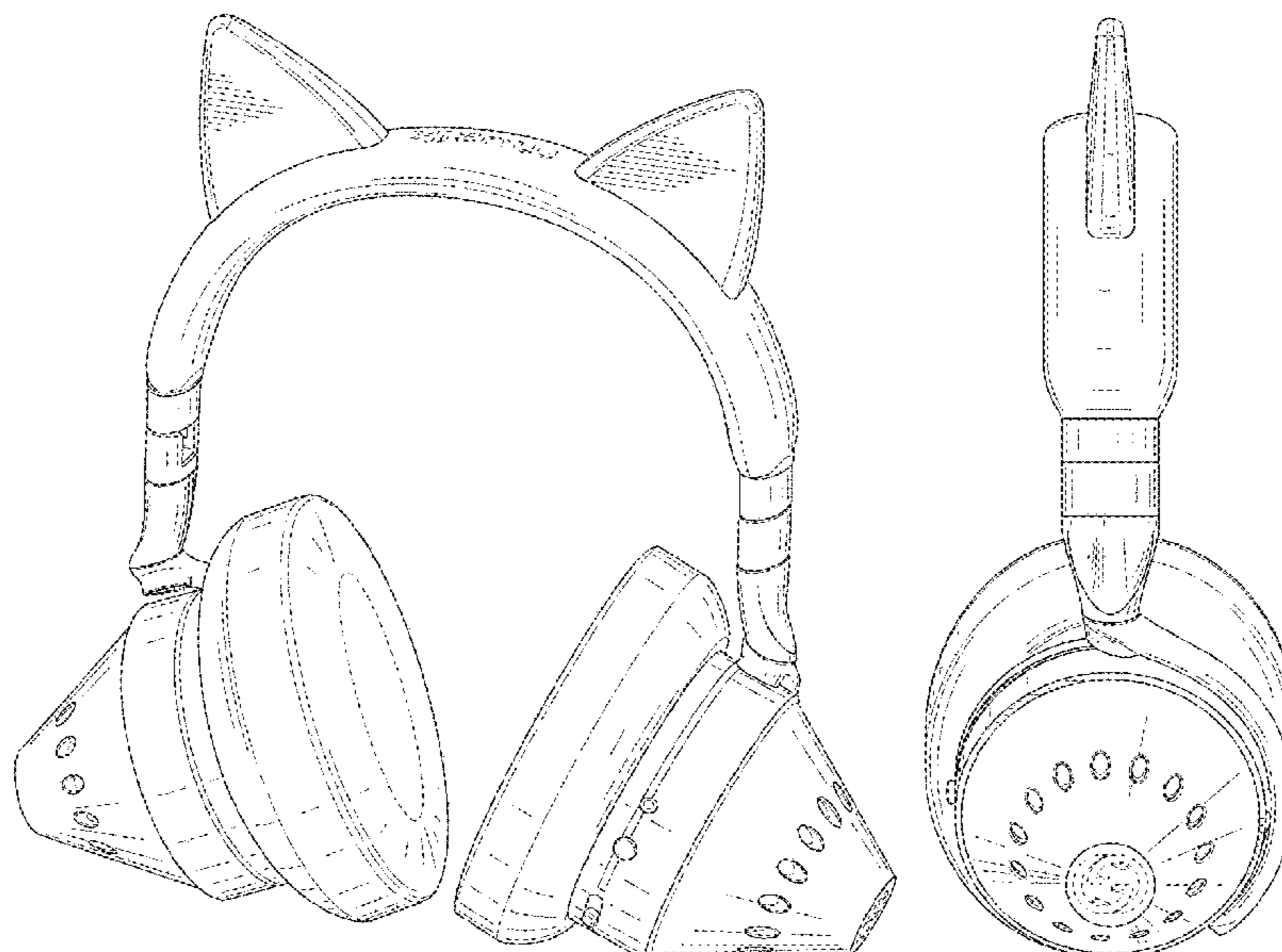
(57) **CLAIM**

The ornamental design for headphones with conical earpieces, as shown and described.

DESCRIPTION

FIG. 1 is a front perspective view of the headphones with conical earpieces showing the design;
 FIG. 2 is a front view thereof;
 FIG. 3 is a rear view thereof;
 FIG. 4 is a side view thereof;
 FIG. 5 is a side view opposite that shown in FIG. 4;
 FIG. 6 is a top view thereof;
 FIG. 7 is a bottom view thereof; and,
 FIG. 8 is a cross-section taken from the view of FIG. 2.
 The broken lines shown in the drawing views are included for the purpose of illustrating portions of the headphones with conical earpieces that form no part of the claimed design.

1 Claim, 6 Drawing Sheets



(56)

References Cited

U.S. PATENT DOCUMENTS

D512,708	S	*	12/2005	Harris, Jr.	D14/205
D514,087	S	*	1/2006	Wilson	D14/206
D530,308	S	*	10/2006	Topping	D14/207
D538,261	S	*	3/2007	Taylor	D14/205
D541,257	S	*	4/2007	Thursfield	D14/205
D573,581	S	*	7/2008	Gondo	D14/205
D585,871	S	*	2/2009	Lee	D14/205
D589,682	S	*	4/2009	Knab	D2/869
D589,684	S	*	4/2009	Knab	D2/869
D631,034	S	*	1/2011	Yeo	D14/205
D665,775	S	*	8/2012	Katsumata	D14/205
D685,283	S	*	7/2013	Katoh	D11/1
D690,282	S	*	9/2013	Lee	D14/205
D711,347	S	*	8/2014	Gan	H04R 1/1066
						D14/205
D719,136	S	*	12/2014	Schaal	D14/205
D721,351	S	*	1/2015	Liu	D14/205
D722,041	S	*	2/2015	Sparks	D14/206
D731,458	S		6/2015	Goransson		
D735,161	S	*	7/2015	Sparks	D14/205
D735,691	S	*	8/2015	Sparks	D14/205
D745,493	S	*	12/2015	Nader	D14/205
D813,195	S		3/2018	Huang		
10,362,400	B2	*	7/2019	Yan	H04R 5/0335

FOREIGN PATENT DOCUMENTS

JP			221457			9/1963
JP			361298			3/1973
JP			D1636375	*		6/2019

* cited by examiner

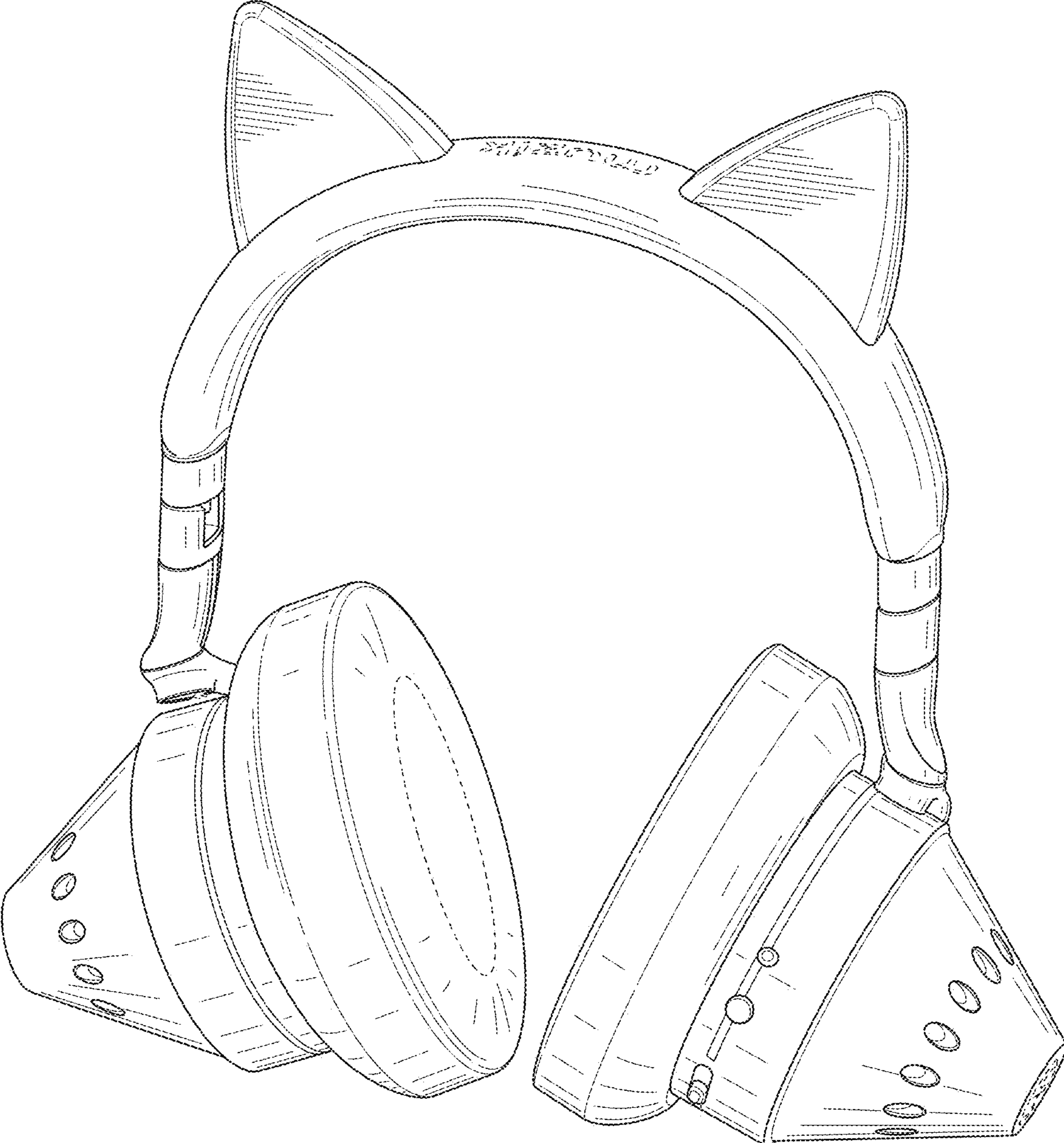


FIG. 1

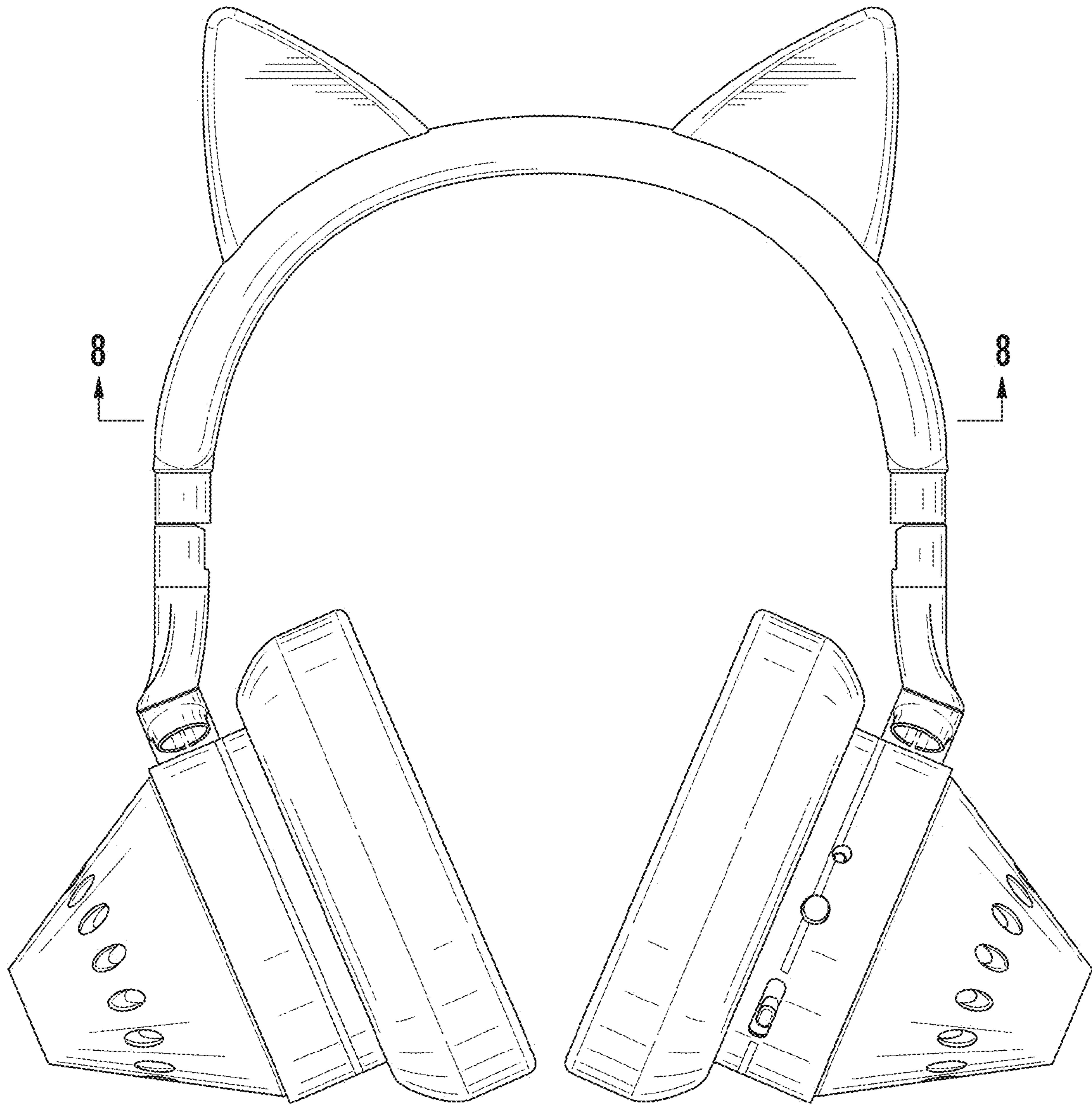


FIG. 2



FIG. 3

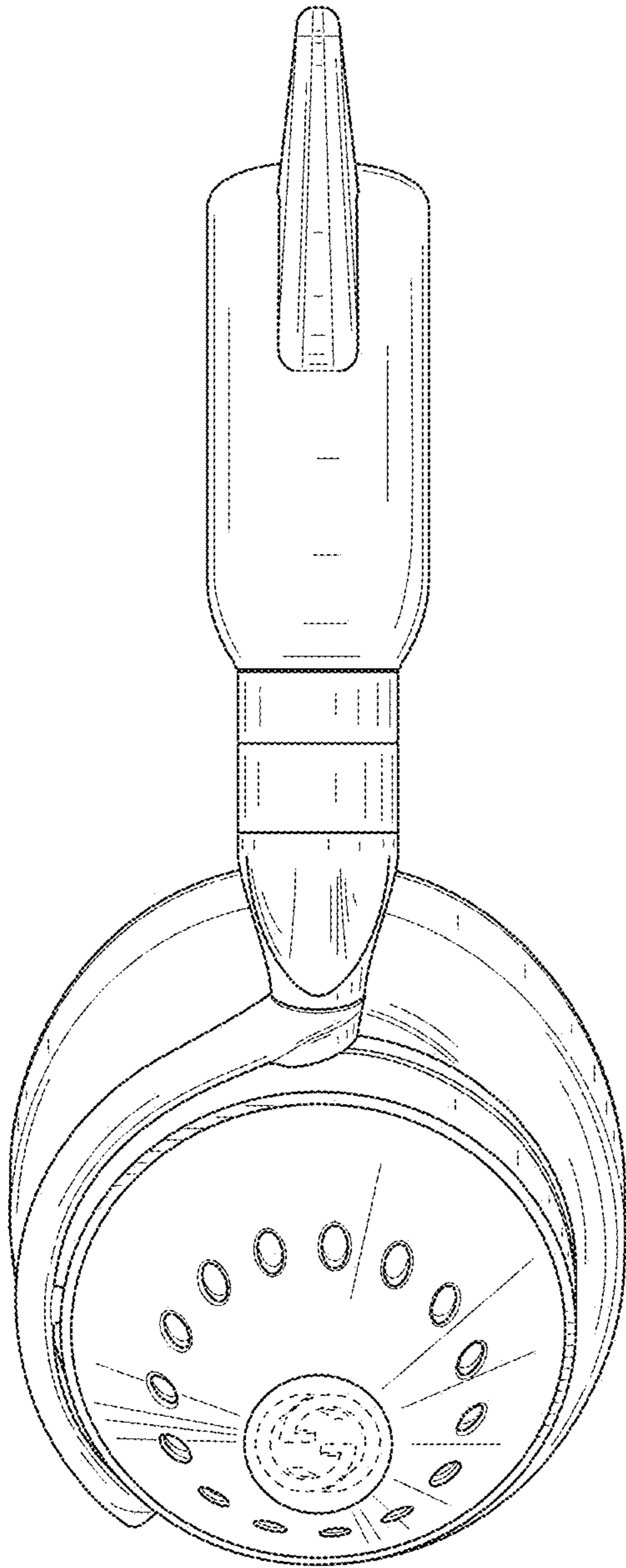


FIG. 4

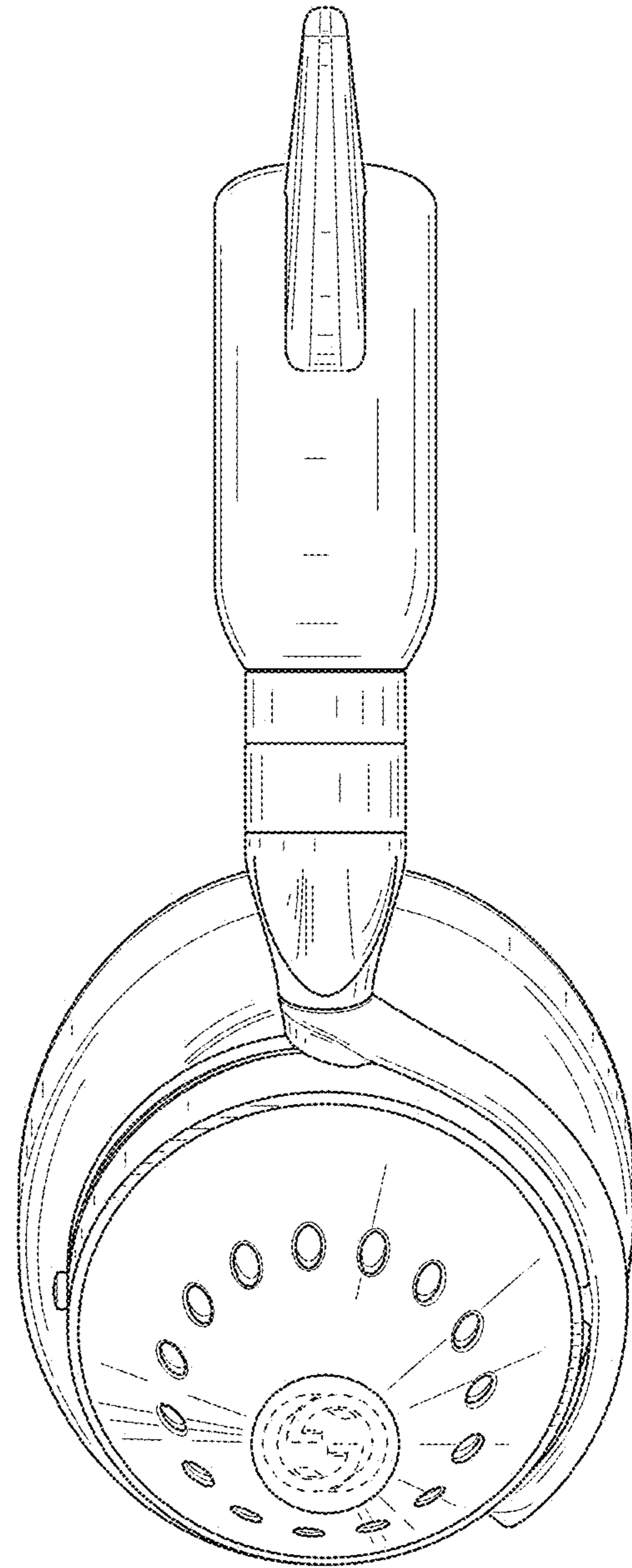


FIG. 5

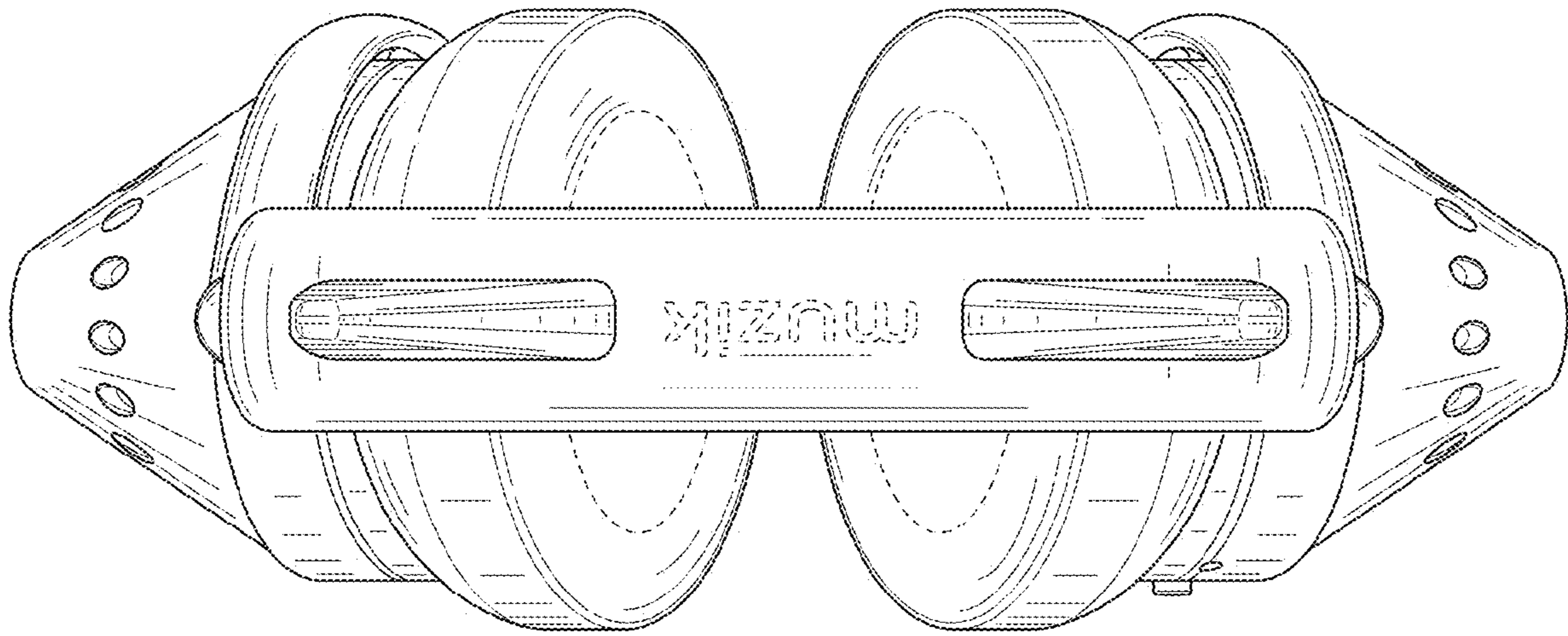


FIG. 6

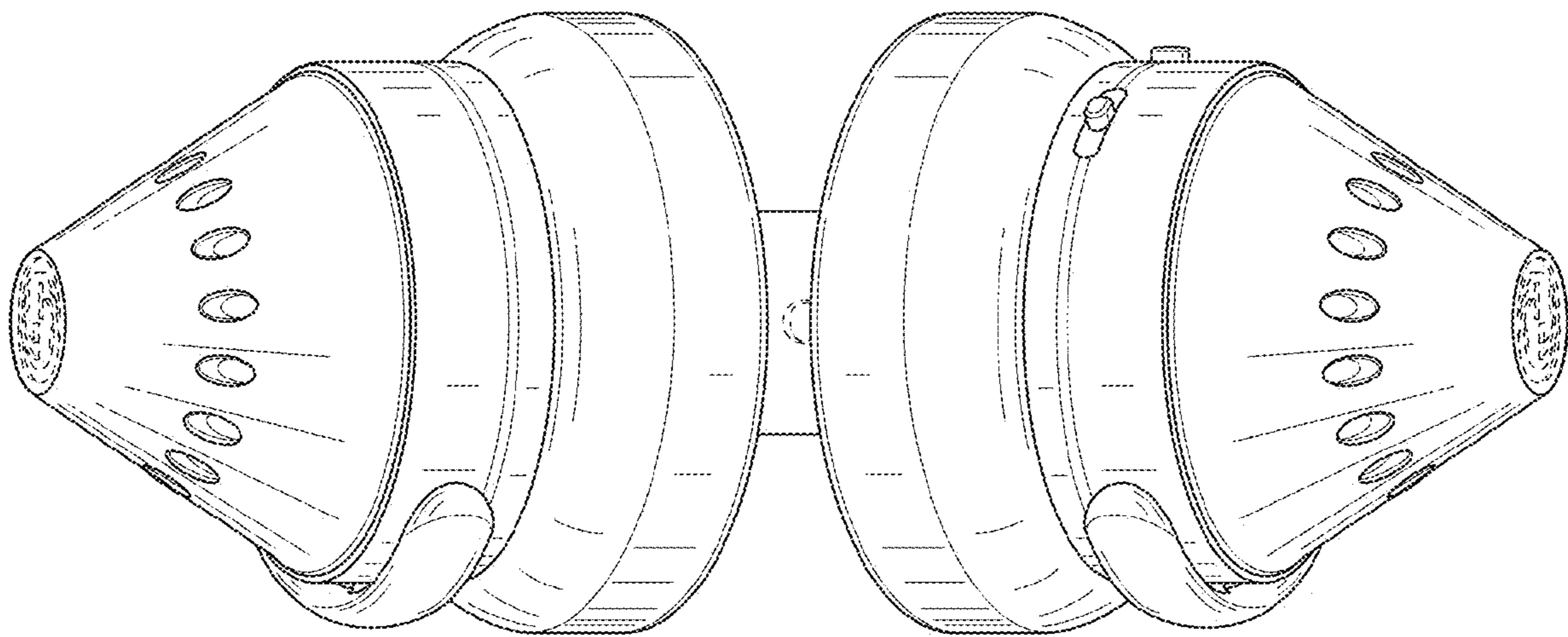


FIG. 7

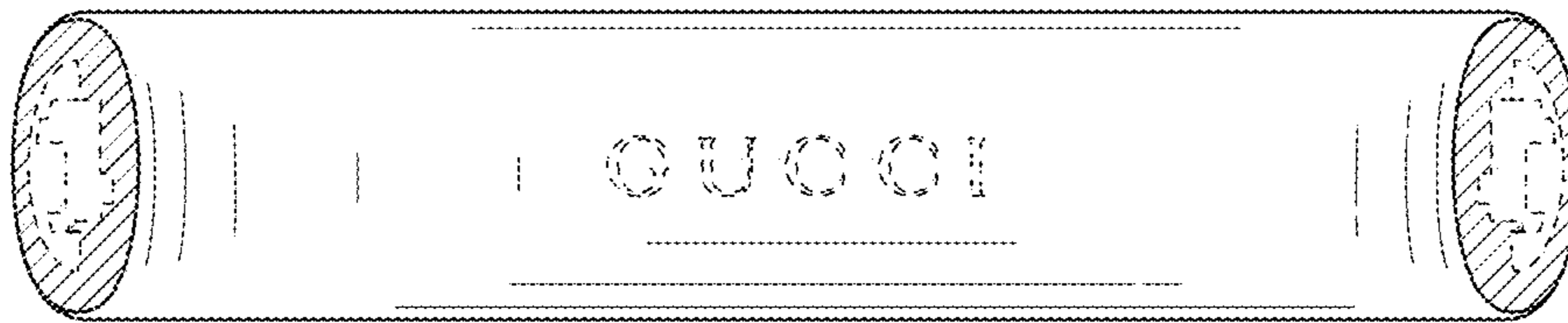


FIG. 8