



US00D868023S

(12) **United States Design Patent**
Dryden et al.

(10) **Patent No.:** **US D868,023 S**

(45) **Date of Patent:** **** Nov. 26, 2019**

(54) **SET OF HEADPHONES**

(71) Applicant: **Bose Corporation**, Framingham, MA (US)

(72) Inventors: **Joshua Kevin Dryden**, Marlborough, MA (US); **Julie E. Tierney**, Shrewsbury, MA (US); **Nathan David Schaal**, Cambridge, MA (US); **Adam A. Carr**, Southborough, MA (US); **Mitchell Joseph Silva**, Groton, MA (US); **Sabrina Garcia**, Brighton, MA (US); **Joel H. Miller**, Westborough, MA (US); **Gustavo Fontana**, Framingham, MA (US); **Stephen D. Boyle**, Newton, MA (US)

(73) Assignee: **Bose Corporation**, Framingham, MA (US)

(**) Term: **15 Years**

(21) Appl. No.: **29/635,960**

(22) Filed: **Feb. 5, 2018**

Related U.S. Application Data

(63) Continuation-in-part of application No. 29/559,968, filed on Apr. 1, 2016, now Pat. No. Des. 809,475.

(51) **LOC (12) Cl.** **14-01**

(52) **U.S. Cl.**
USPC **D14/205**

(58) **Field of Classification Search**
USPC D14/205, 188, 192; D29/112; 2/209; 181/129, 130, 135; 379/430, 431; 381/380, 381, 370, 374; 455/90.3, 575.1, 455/569.1
CPC H04R 25/00; H04R 1/1066; H04R 1/1016; H04R 5/033; H04R 5/0335

See application file for complete search history.

(56) **References Cited**

U.S. PATENT DOCUMENTS

2,437,049	A *	3/1948	Salisbury	A61F 11/14 128/866
2,615,169	A *	10/1952	Maxant	A61F 11/06 2/209
2,812,517	A *	11/1957	Bogart	A61F 11/06 2/174
3,098,307	A *	7/1963	Caldwell, Jr.	G09B 5/04 181/20
3,119,119	A *	1/1964	Millinger	A61F 11/06 2/209
3,211,160	A *	10/1965	Miller	A45D 8/00 132/275
D246,259	S *	11/1977	Nishimura	D14/205
4,571,746	A *	2/1986	Gorike	H04R 5/0335 2/209

(Continued)

Primary Examiner — Paula Allen Greene

(57) **CLAIM**

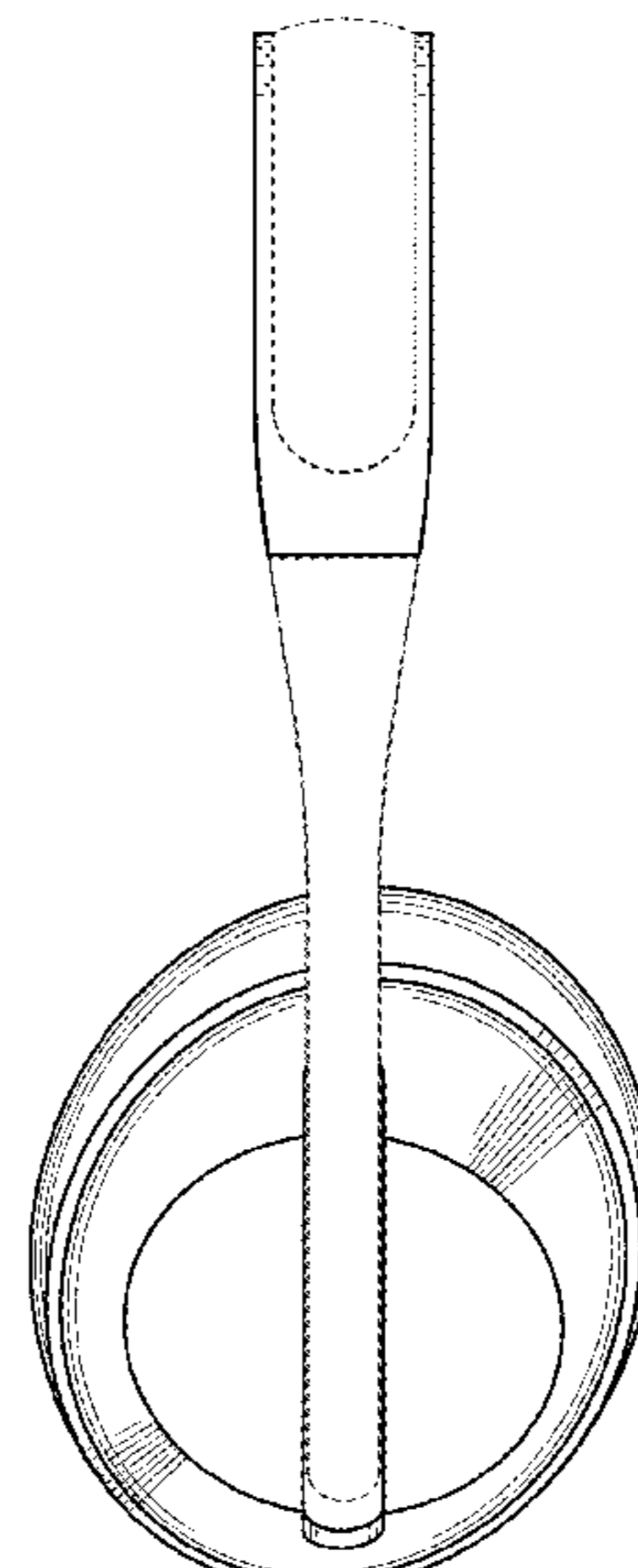
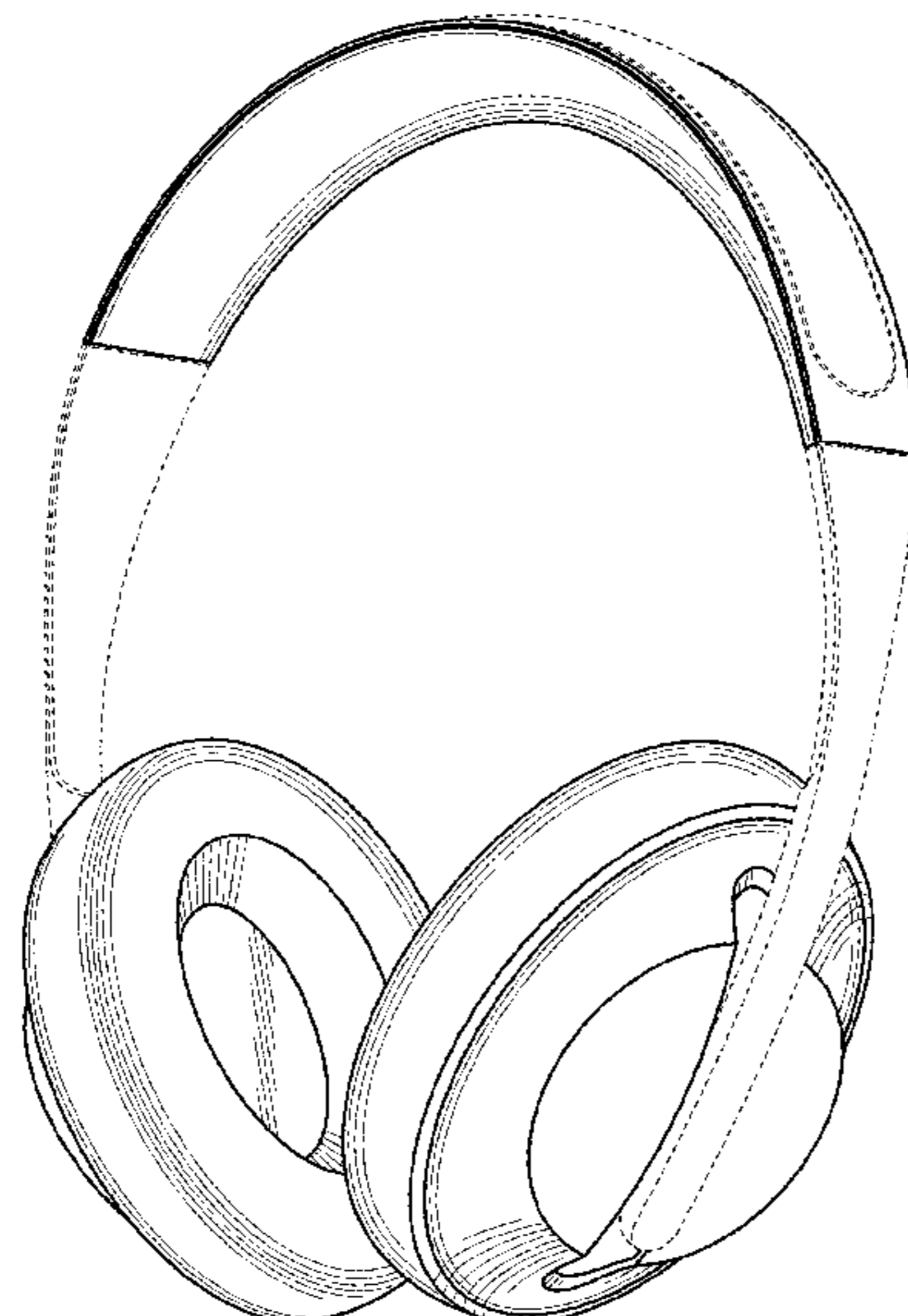
The ornamental design for set of headphones, substantially as shown and described.

DESCRIPTION

FIG. 1 is a perspective view of a set of headphones as seen from the front and left side;
FIG. 2 is a front view thereof;
FIG. 3 is a back view thereof;
FIG. 4 is a top view thereof;
FIG. 5 is a bottom view thereof;
FIG. 6 is a right side view thereof; and,
FIG. 7 is a left side view thereof.

The dotted lines on the upper sides of the headband immediately adjacent the solid lines represent the bounds of the design while all other dotted lines represent environmental structure only and do not form part of the claimed design.

1 Claim, 5 Drawing Sheets



(56)

References Cited

U.S. PATENT DOCUMENTS

4,597,469 A * 7/1986 Nagashima H04R 5/0335
 181/129
 D292,205 S * 10/1987 Kikutani 381/378
 D297,324 S * 8/1988 Kohno D14/205
 D300,133 S * 3/1989 Daidoh D14/205
 D328,074 S * 7/1992 Yamazaki D14/205
 D376,598 S * 12/1996 Hayashi D14/205
 5,809,573 A * 9/1998 Bary A61F 7/03
 128/866
 5,987,647 A * 11/1999 Ouellette A41D 23/00
 132/273
 6,016,574 A * 1/2000 Chen A45D 8/36
 128/866
 6,093,202 A * 7/2000 Dyken A61F 7/02
 607/108
 D435,537 S * 12/2000 Yuyama D14/205
 D471,176 S * 3/2003 Suzuki D14/205
 D534,156 S * 12/2006 Obata D14/205
 D540,777 S * 4/2007 Rausch D14/205
 D541,256 S * 4/2007 Rausch D14/205
 D544,464 S * 6/2007 Lee D14/205
 D571,354 S * 6/2008 Ng D14/205
 D588,100 S * 3/2009 Densho D14/205
 D604,269 S * 11/2009 Choe D14/205
 D633,471 S * 3/2011 Sugiyama D14/205
 D633,895 S * 3/2011 Morimoto D14/205
 D634,732 S * 3/2011 Kondo D14/205
 D637,295 S * 5/2011 McCartney D24/174
 D641,725 S * 7/2011 Chong D14/205
 D654,472 S * 2/2012 Fischer D14/206
 D657,346 S * 4/2012 Park D14/205
 D662,080 S * 6/2012 Carr D14/205
 D663,717 S * 7/2012 Hutchieson D14/206
 D664,114 S * 7/2012 Tsuchiya D14/205

D666,992 S * 9/2012 Lee D14/205
 8,295,529 B2 * 10/2012 Petersen H04R 1/083
 381/371
 D678,859 S * 3/2013 Lee D14/205
 D684,558 S * 6/2013 Hansson D14/205
 D686,593 S * 7/2013 Larsen D14/205
 D697,495 S * 1/2014 Lian D14/205
 8,646,466 B2 * 2/2014 Howard A45D 8/36
 132/275
 D706,744 S * 6/2014 Yang H04R 1/10
 D14/205
 8,755,555 B2 * 6/2014 Dougherty H04R 1/1066
 381/370
 D713,374 S * 9/2014 Farrage D14/205
 D715,252 S * 10/2014 Sparks D14/205
 D721,052 S * 1/2015 Carr D14/205
 D724,561 S * 3/2015 Ko D14/205
 D737,799 S * 9/2015 Carr D14/205
 D809,475 S * 2/2018 Dryden D14/205
 D809,476 S * 2/2018 Summerson D14/205
 D812,037 S * 3/2018 Petersen D14/205
 D813,194 S * 3/2018 Loh D14/205
 D833,071 S * 11/2018 Pennington D28/41
 D840,969 S * 2/2019 Dryden D14/205
 D840,970 S * 2/2019 Dryden D14/205
 D840,971 S * 2/2019 Summerson D14/205
 D840,973 S * 2/2019 Dryden D14/205
 2006/0027245 A1 * 2/2006 Spector A45D 8/36
 132/273
 2010/0177907 A1 * 7/2010 Morisawa H04R 1/1066
 381/74
 2011/0051976 A1 * 3/2011 Tsai H04R 1/1066
 381/378
 2013/0087404 A1 * 4/2013 Peskar G10K 11/168
 181/129

* cited by examiner

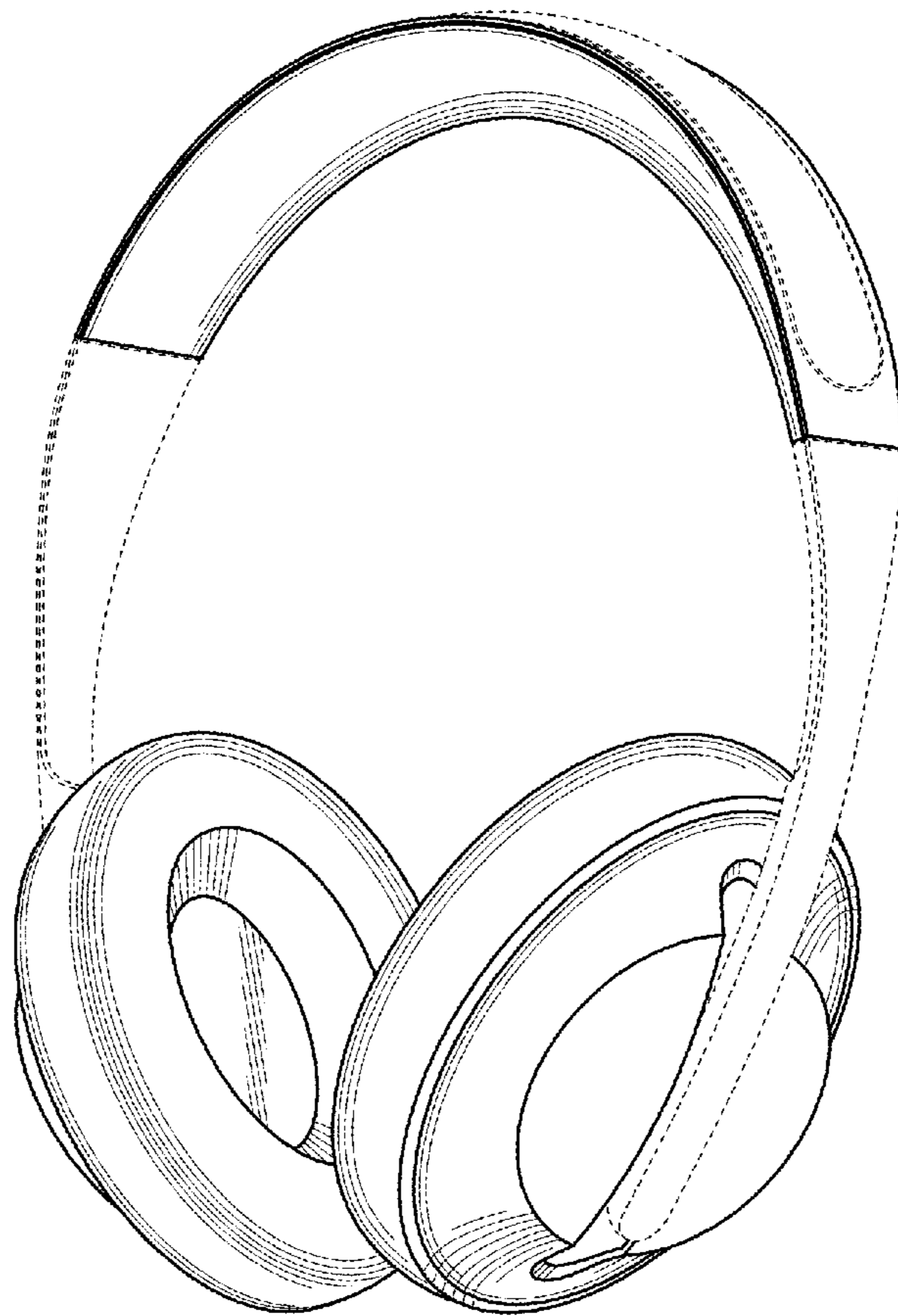


FIG. 1

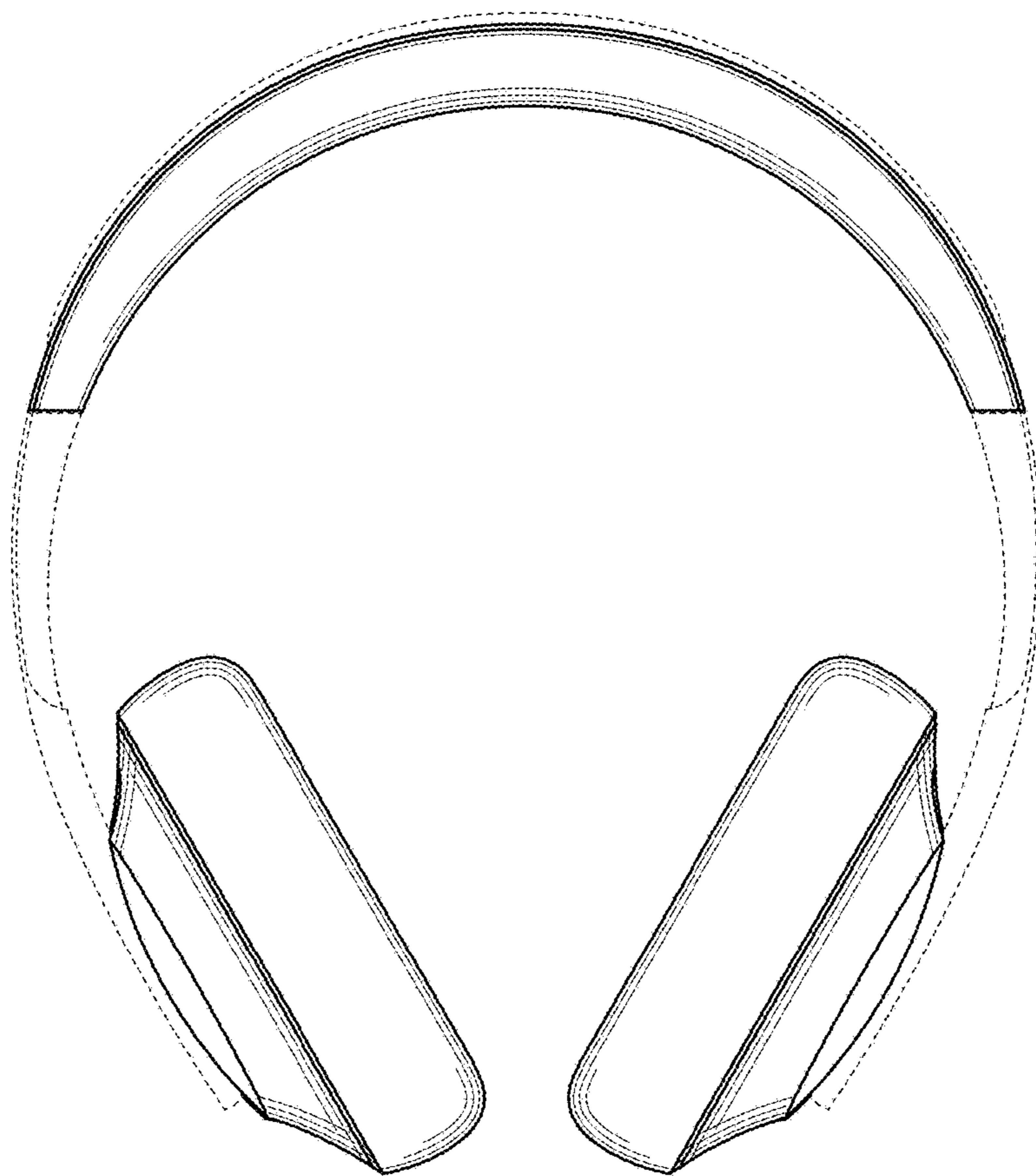


FIG. 2

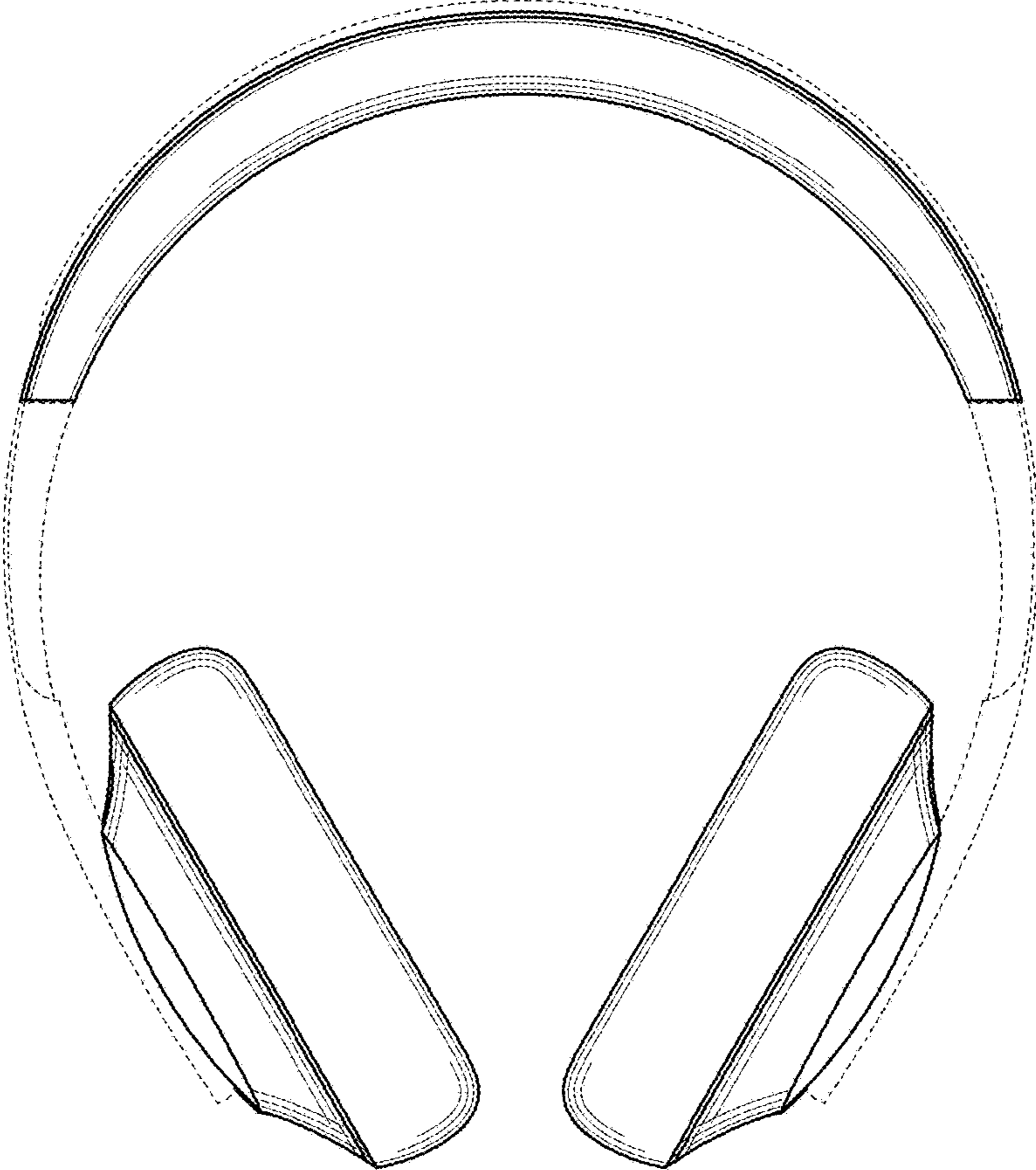


FIG. 3

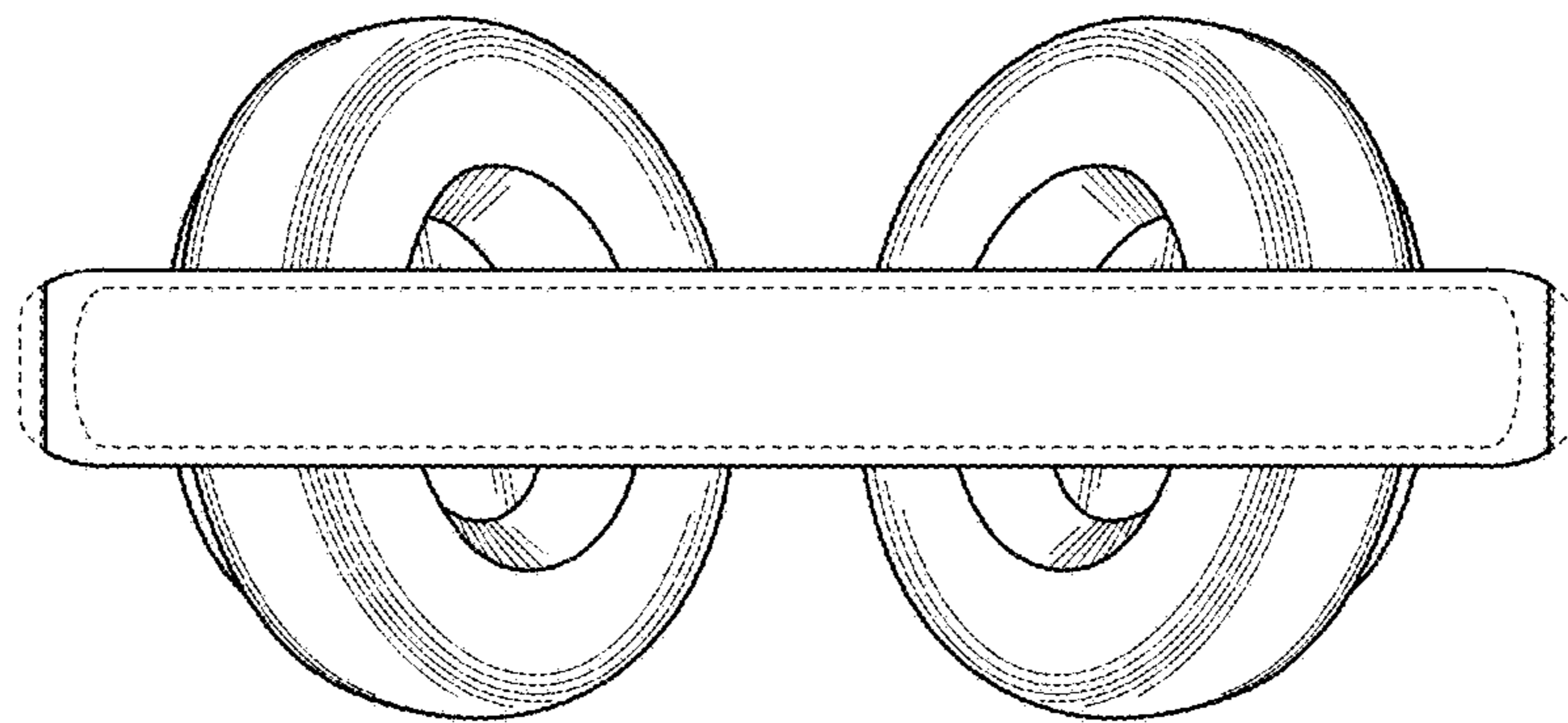


FIG. 4

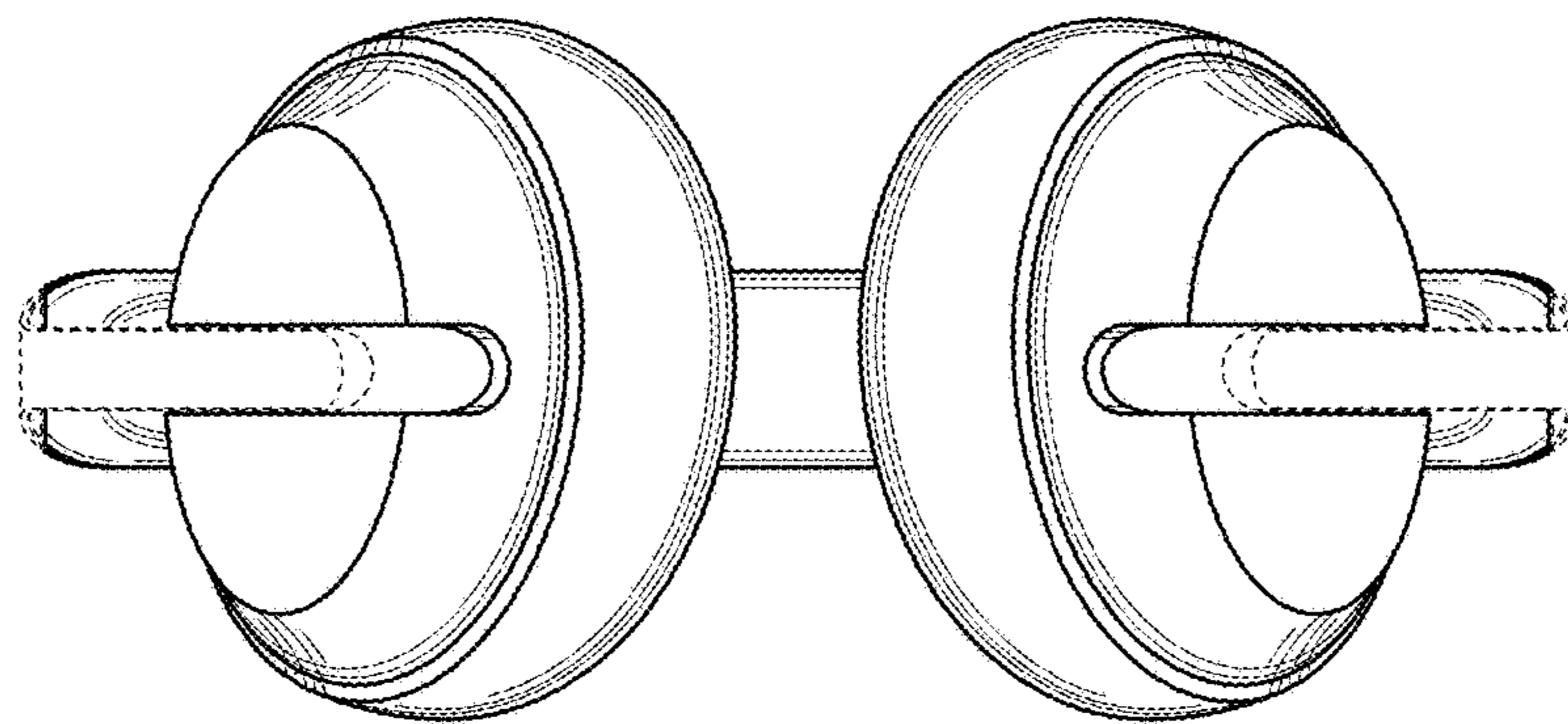


FIG. 5

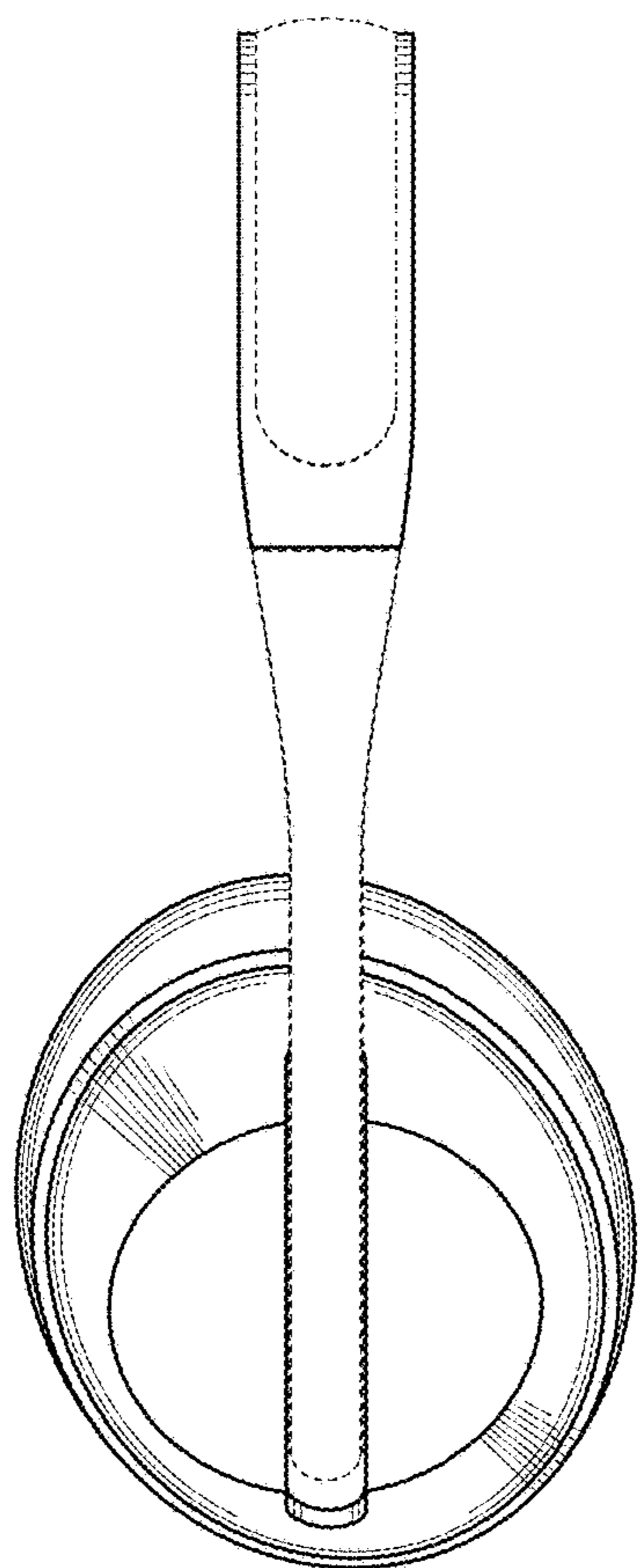


FIG. 6

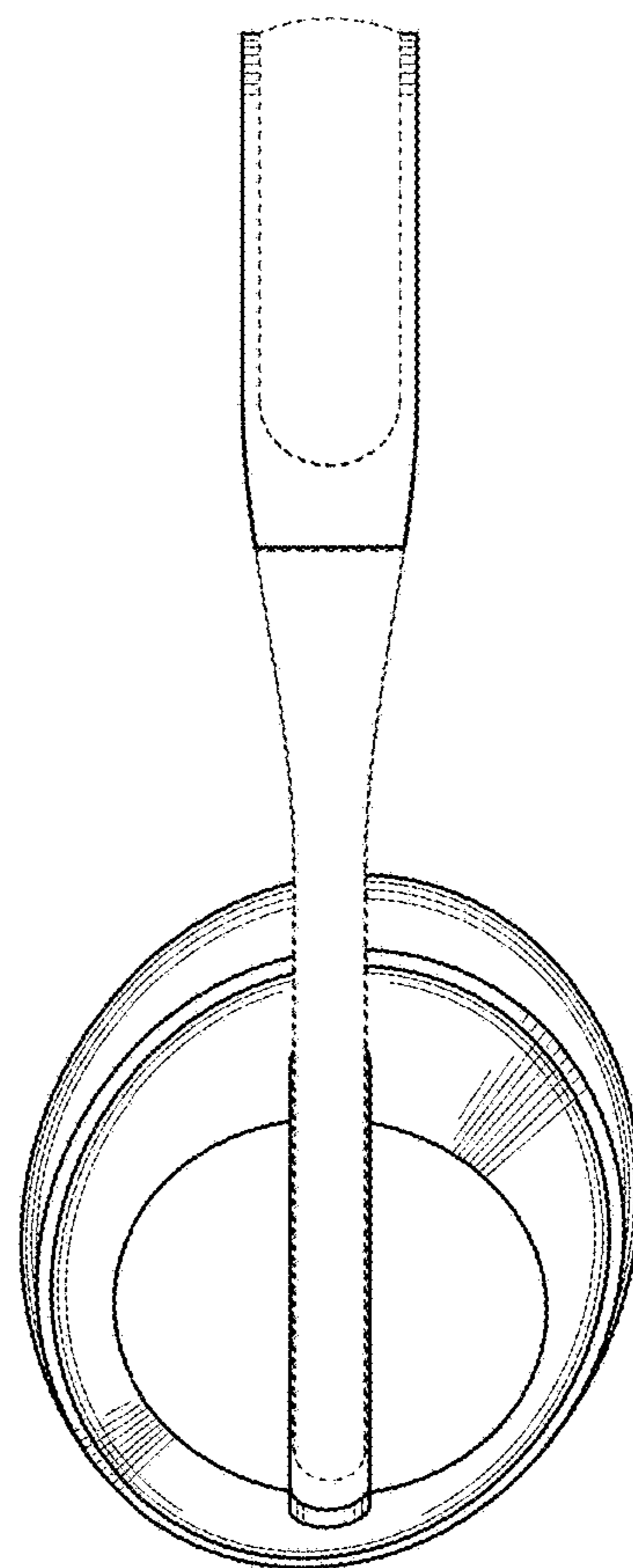


FIG. 7