



US00D868021S

(12) **United States Design Patent**
Kittmann

(10) **Patent No.:** **US D868,021 S**

(45) **Date of Patent:** **** Nov. 26, 2019**

(54) **SOUND AMPLIFIER**
(71) Applicant: **SENNHEISER ELECTRONIC GMBH & CO. KG**, Wedemark (DE)
(72) Inventor: **Ralf Kittmann**, Zurich (CH)
(73) Assignee: **Sennheiser electronic GmbH & Co. KG**, Wedemark (DE)
(**) Term: **15 Years**

D722,588 S * 2/2015 Boyd D14/188
D761,231 S * 7/2016 Kim D14/214
D763,229 S * 8/2016 Yagi D14/214
D768,603 S * 10/2016 Kim D14/214
D774,491 S * 12/2016 Kim D14/214
D778,259 S * 2/2017 Bouroullec D14/214
D785,596 S * 5/2017 Lewis D14/214
D805,498 S * 12/2017 Jeon D14/204
D808,352 S * 1/2018 Won D14/125
D816,062 S * 4/2018 Park D14/214
D817,308 S * 5/2018 Sugiura D14/214
D817,926 S * 5/2018 Warden D14/214

* cited by examiner

(21) Appl. No.: **35/503,292**

(22) Filed: **Jan. 2, 2017**

Primary Examiner — Melanie H Tung

Assistant Examiner — Bao-Yen T Nguyen

(80) **Hague Agreement Data**

Int. Filing Date: **Jan. 2, 2017**

Int. Reg. No.: **DM/095765**

Int. Reg. Date: **Jan. 2, 2017**

Int. Reg. Pub. Date: **Jul. 7, 2017**

(74) *Attorney, Agent, or Firm* — Haug Partners LLP

(51) **LOC (12) Cl.** **14-03**

(52) **U.S. Cl.**
USPC **D14/188**

(57) **CLAIM**

The ornamental design for a sound amplifier, as shown and described.

(58) **Field of Classification Search**
USPC D14/188, 162, 167–169, 125, 126,
D14/194–198, 214, 217, 257, 265, 299,
D14/496
CPC . H03F 1/26; H03F 1/3247; H03F 3/24; H03F
3/181; H03F 3/189; H03F 3/45197; H03F
2200/03; H03F 2200/324; H03F 2200/336
See application file for complete search history.

DESCRIPTION

1. Sound amplifier

1.1 : Perspective

1.2 : Front

1.3 : Top

1.4 : Back

1.5 : Left

1.6 : Right

1.7 : Bottom

1.8 : Perspective

The broken lines represent environmental structure and form no part of the claimed design.

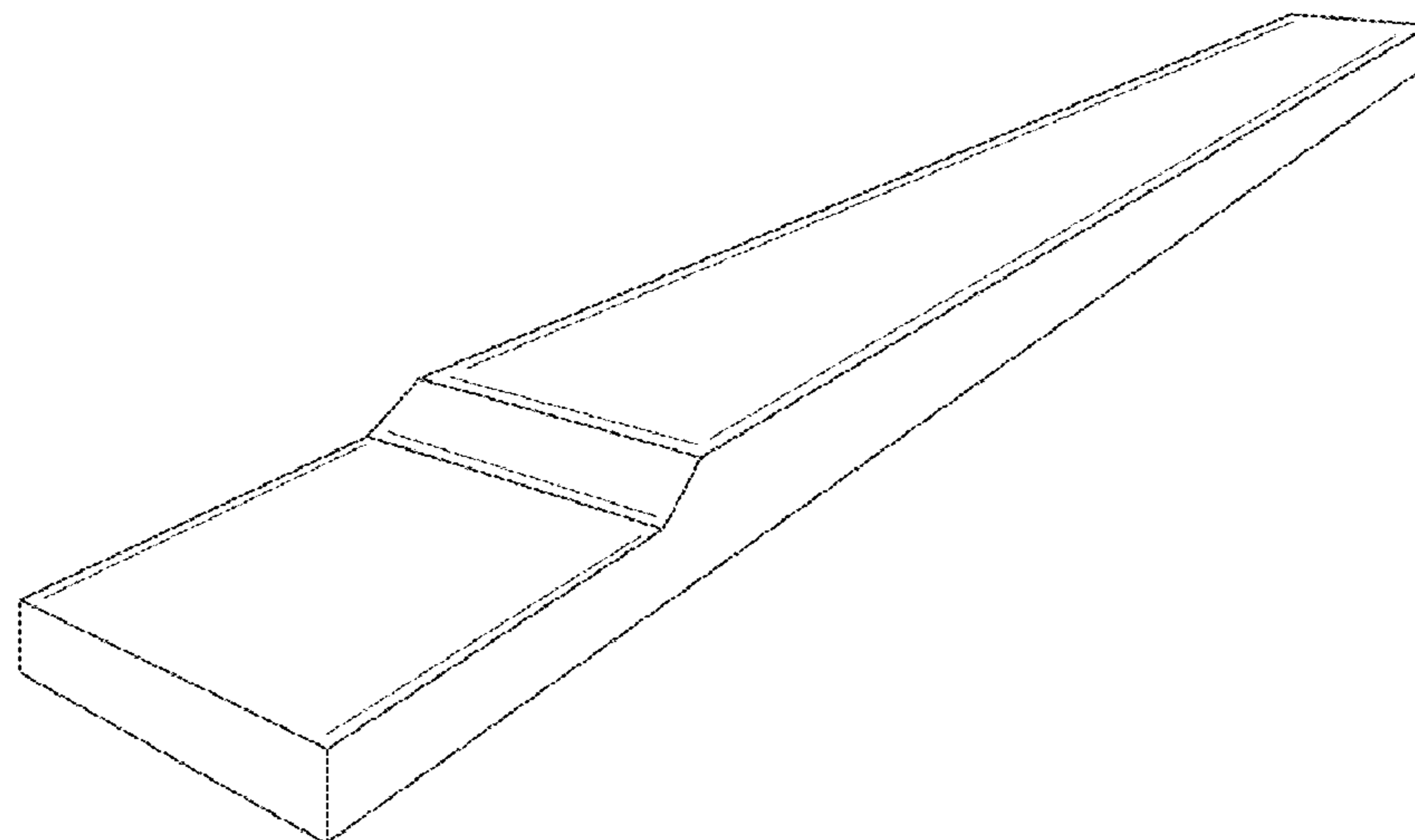
(56) **References Cited**

U.S. PATENT DOCUMENTS

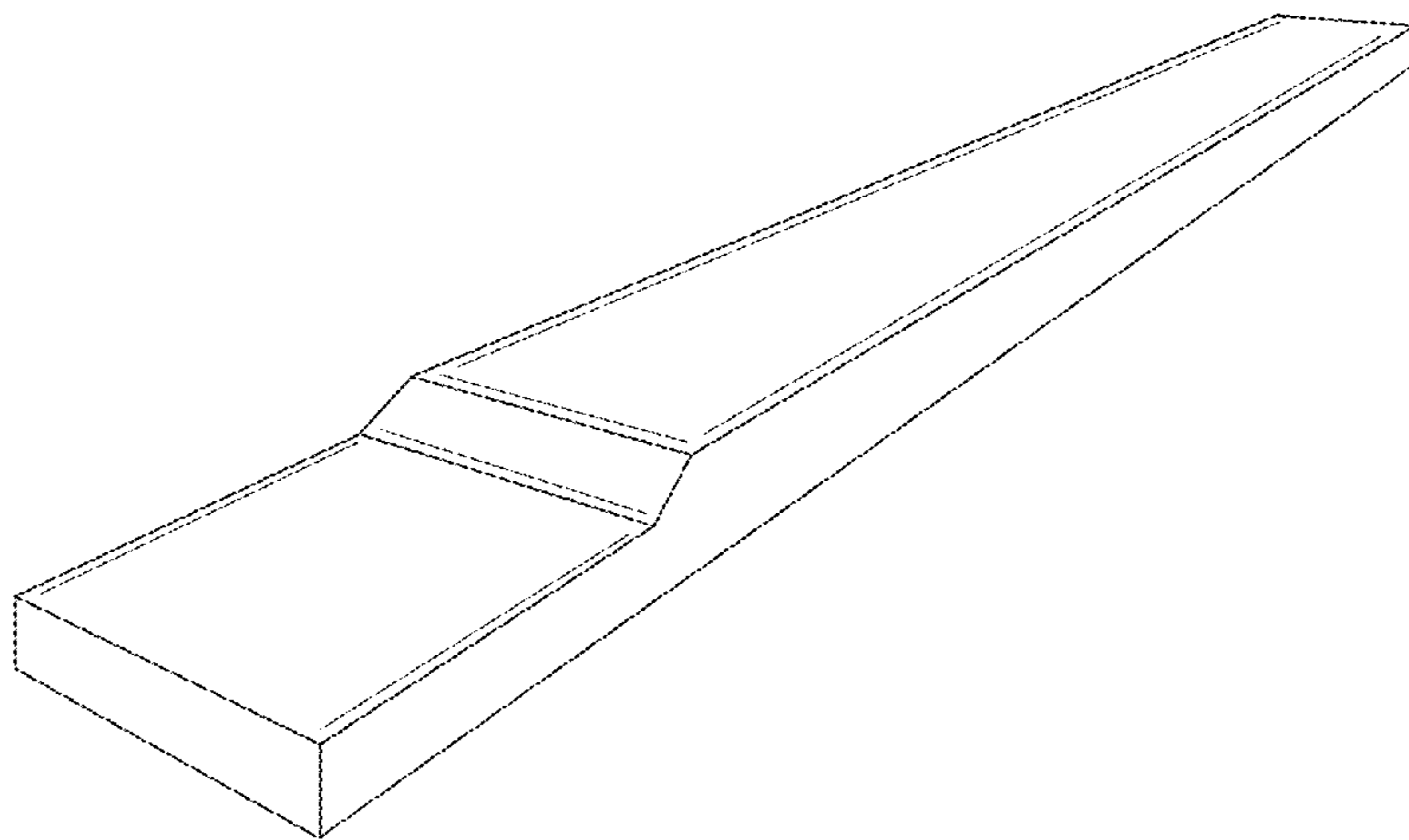
D681,606 S * 5/2013 Nishii D14/214

D710,821 S * 8/2014 Marklund D14/188

1 Claim, 8 Drawing Sheets



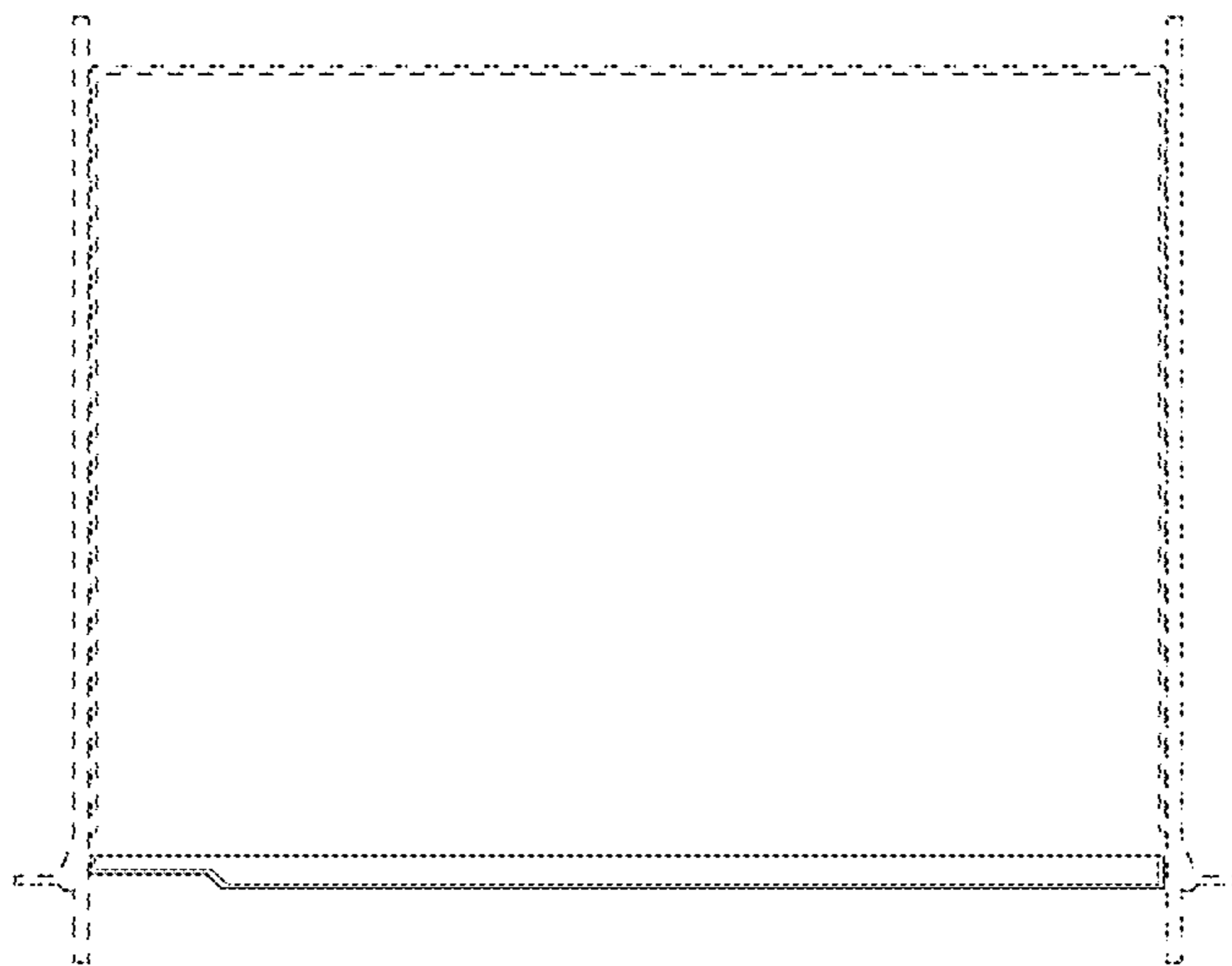
1.1



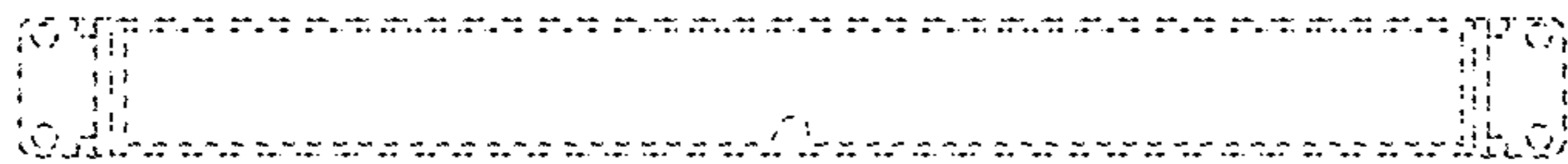
1.2



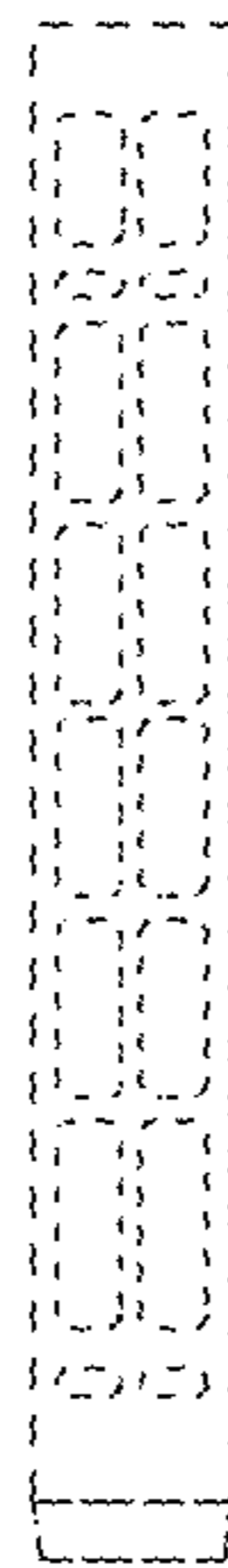
1.3



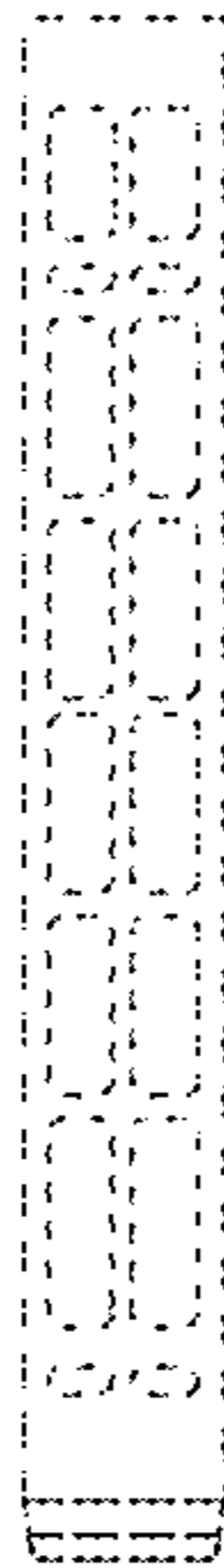
1.4



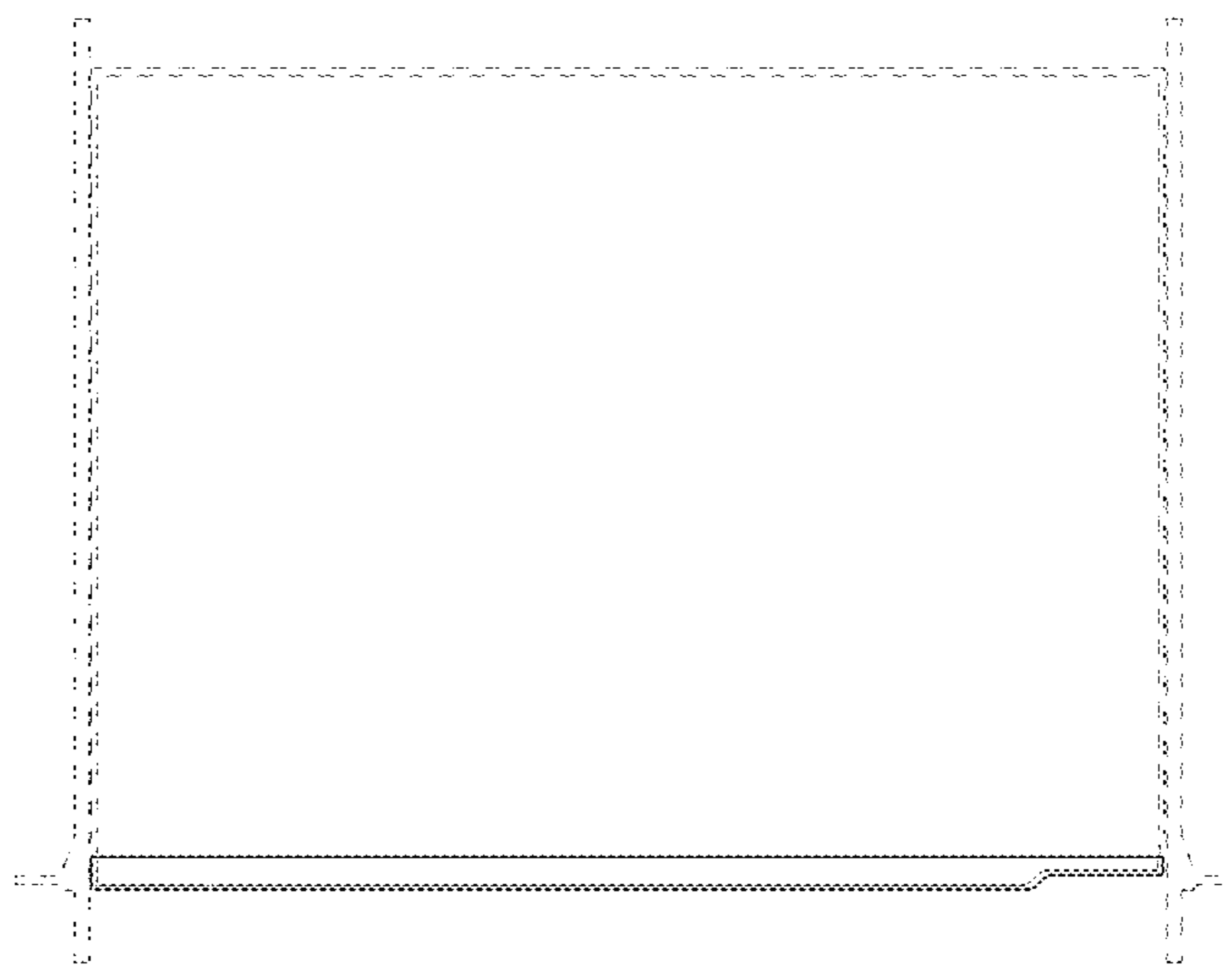
1.5



1.6



1.7



1.8

