

US00D868020S

(12) **United States Design Patent**
Deng et al.

(10) **Patent No.:** **US D868,020 S**

(45) **Date of Patent:** **** Nov. 26, 2019**

(54) **BABY MONITOR RECEIVING DEVICE**

(71) Applicants: **Zhubing Deng**, Hunan (CN); **Dunming Shuai**, Jiangxi (CN)

(72) Inventors: **Zhubing Deng**, Hunan (CN); **Dunming Shuai**, Jiangxi (CN)

(73) Assignee: **Shenzhen Mingchuang Intelligence Technology Co., Ltd.**, Shenzhen, Guangdong (CN)

(**) Term: **15 Years**

(21) Appl. No.: **29/625,518**

(22) Filed: **Nov. 10, 2017**

(51) **LOC (12) Cl.** **14-03**

(52) **U.S. Cl.**
USPC **D14/159**

(58) **Field of Classification Search**
USPC D14/167, 154, 168, 188, 496, 156, 160, D14/161, 162, 163, 164, 165, 158, 253, D14/192, 159, 155, 138 AB, 137, 104.1; 455/351, 350, 353; D10/104, 106, 65, D10/78; 340/573.4, 573.1
CPC . G06F 3/16; G08B 3/00; H04M 11/00; H04N 7/14; H04N 7/26
See application file for complete search history.

(56) **References Cited**

U.S. PATENT DOCUMENTS

D579,913 S * 11/2008 Lamason D14/159
D637,174 S * 5/2011 Elkerbout D14/159

D649,135 S * 11/2011 Hocherman D14/159
D656,478 S * 3/2012 Barley D14/159
D666,576 S * 9/2012 Marsh D14/159
D675,584 S * 2/2013 Sharp D14/126
D689,037 S * 9/2013 Sumi D14/159
D740,781 S * 10/2015 Thomas D14/159
D740,782 S * 10/2015 Thomas D14/159
D745,167 S * 12/2015 Canas D10/78
D763,220 S * 8/2016 Deng D14/159
D763,817 S * 8/2016 Deng D14/159
D823,277 S * 7/2018 Hagenauer D14/159

* cited by examiner

Primary Examiner — Austin Murphy

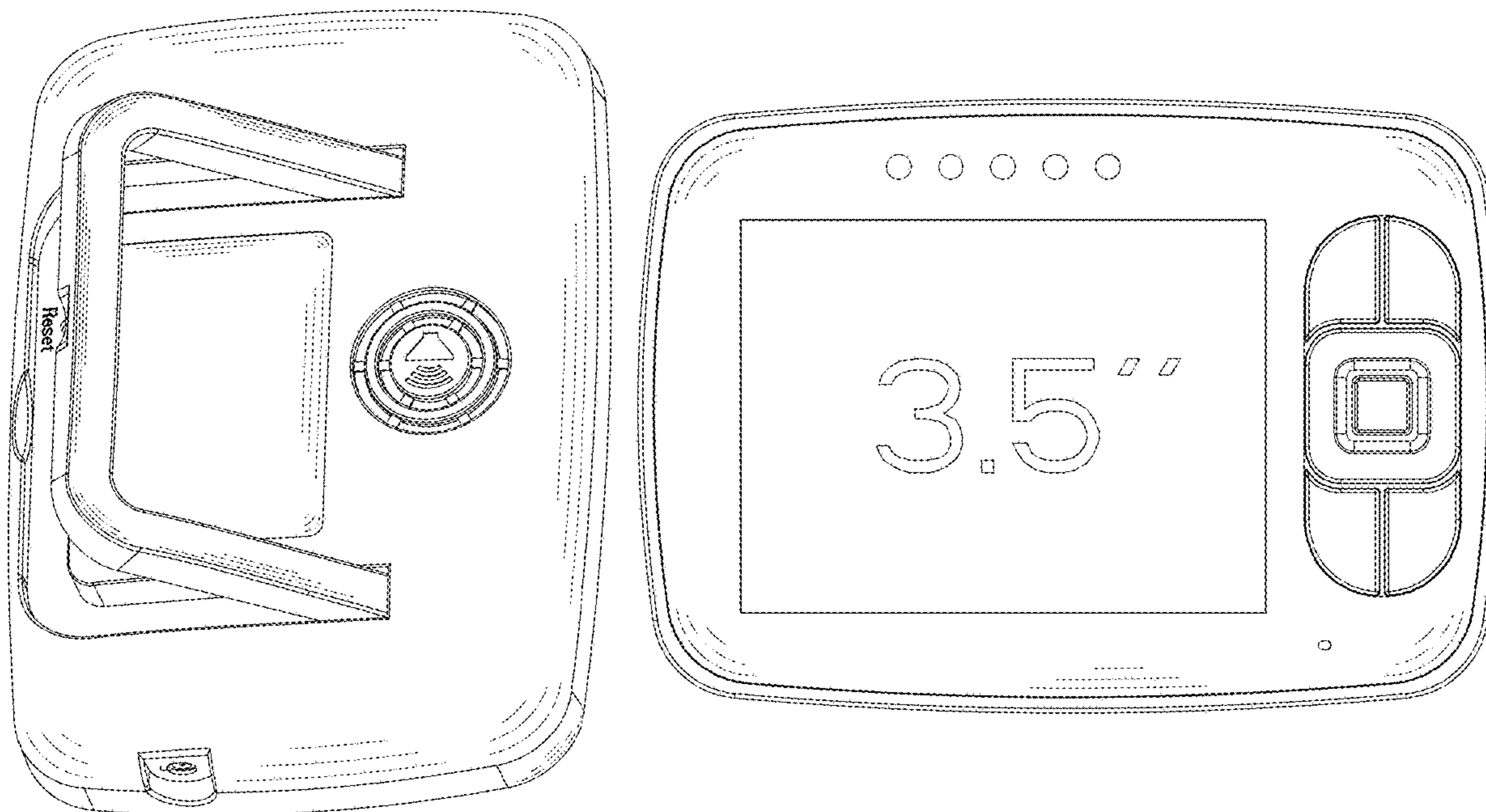
(57) **CLAIM**

We claim the ornamental design for a baby monitor receiving device, as shown and described.

DESCRIPTION

FIG. 1 is a perspective view of a baby monitor receiving device showing our new design;
FIG. 2 is a front elevational view thereof;
FIG. 3 is a rear elevational view thereof;
FIG. 4 is a left side elevational view thereof;
FIG. 5 is a right side elevational view thereof;
FIG. 6 is a top plan view thereof; and,
FIG. 7 is a bottom plan view thereof.

1 Claim, 7 Drawing Sheets



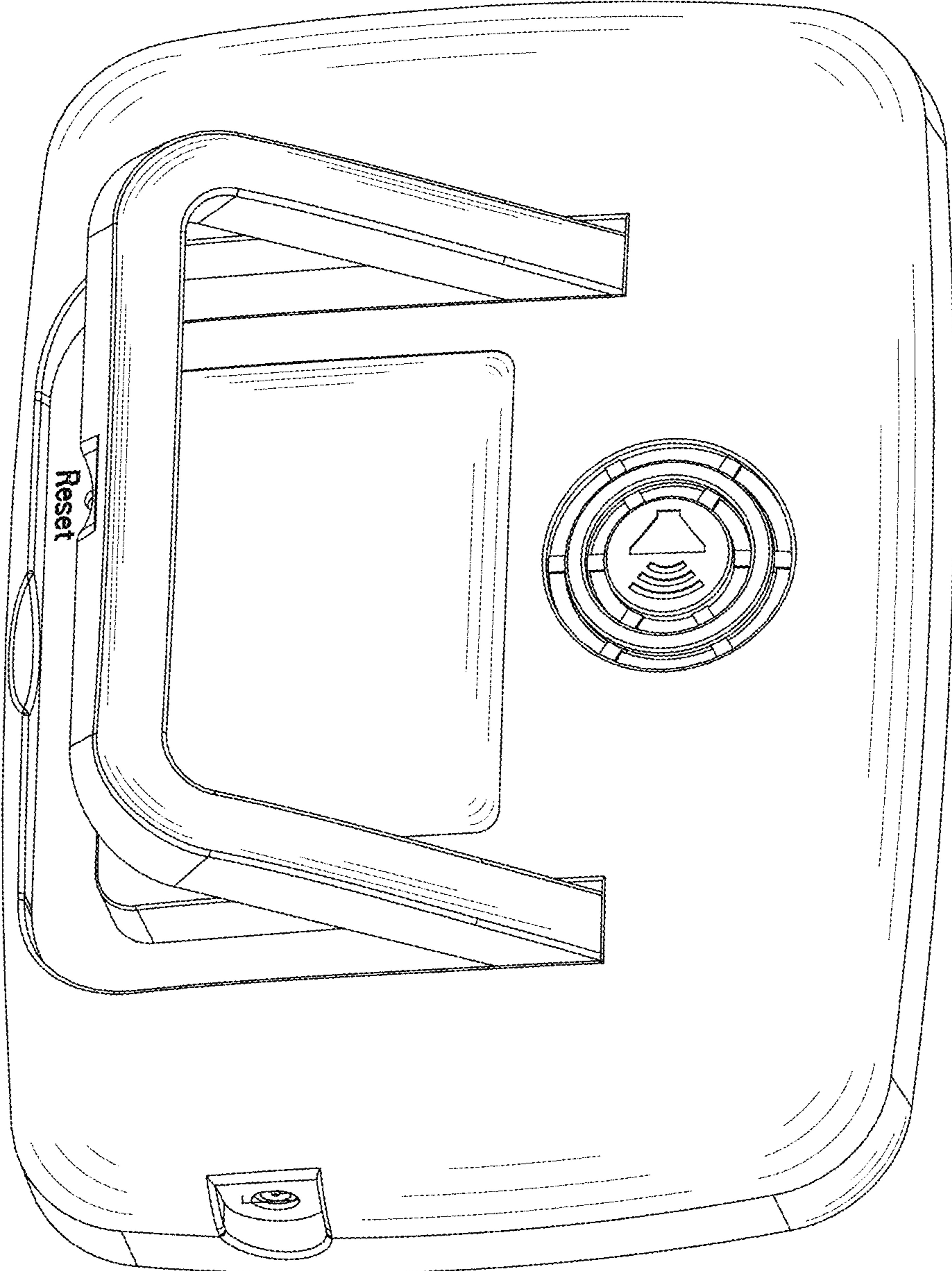


FIG.1

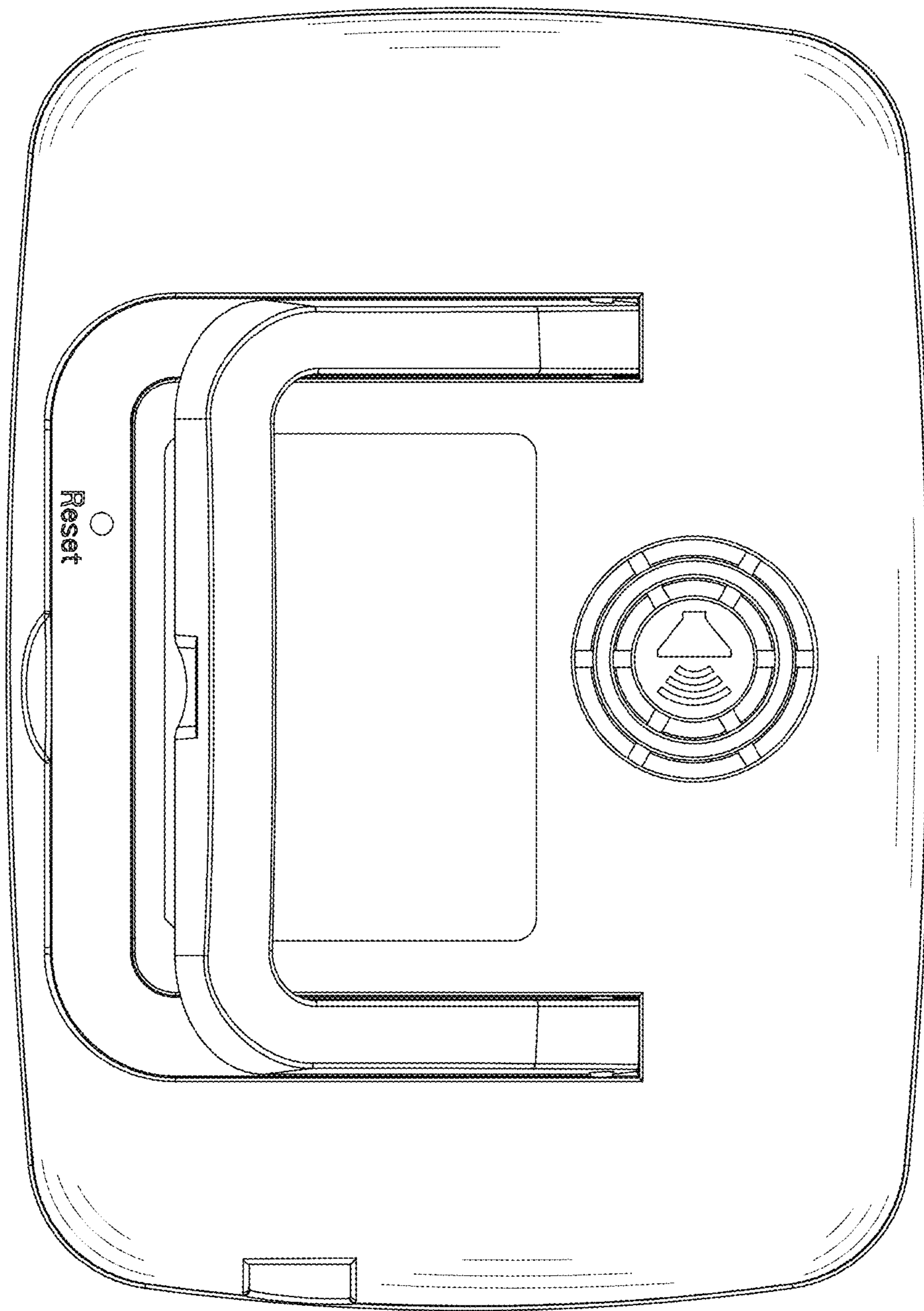


FIG.2

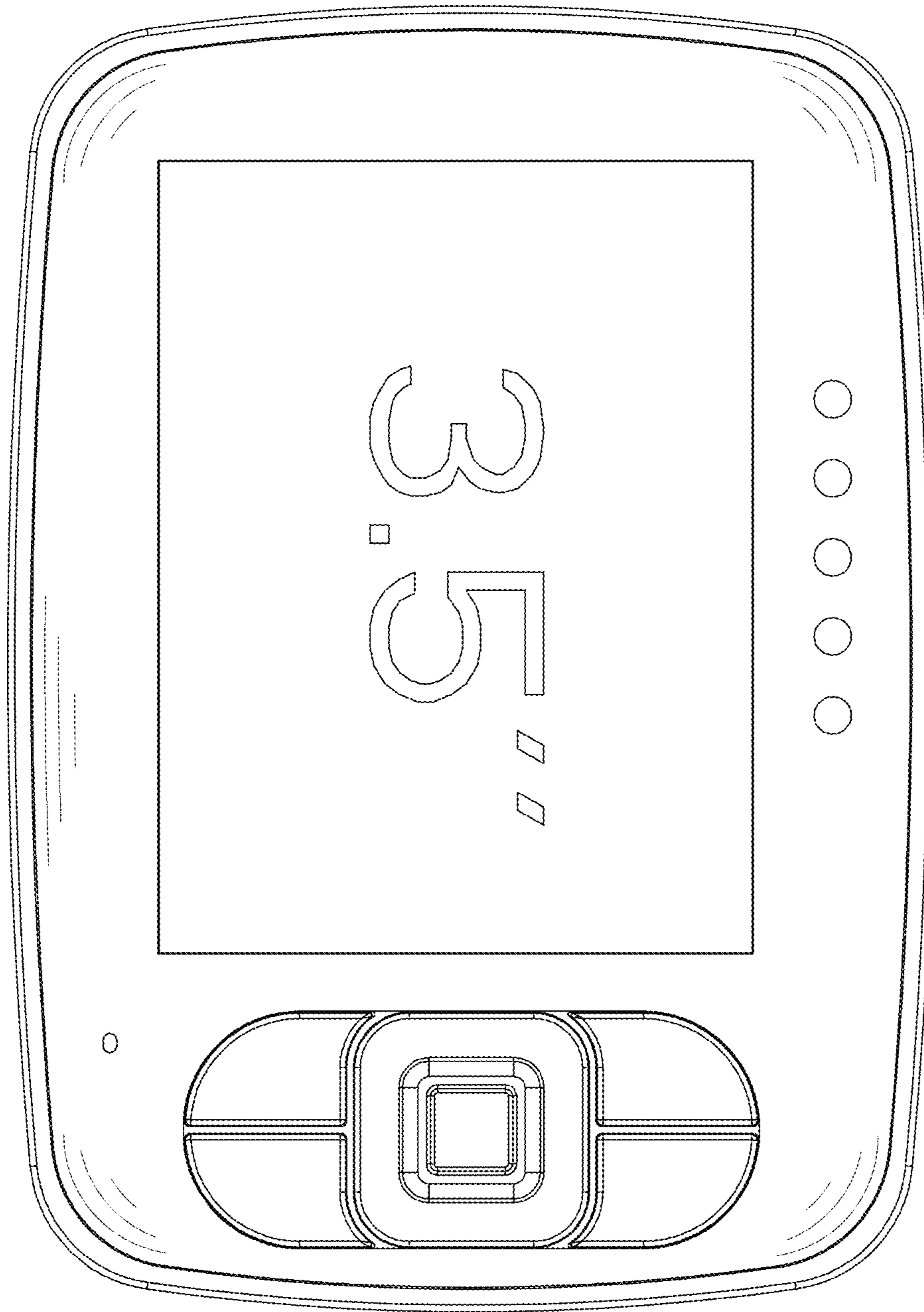


FIG.3

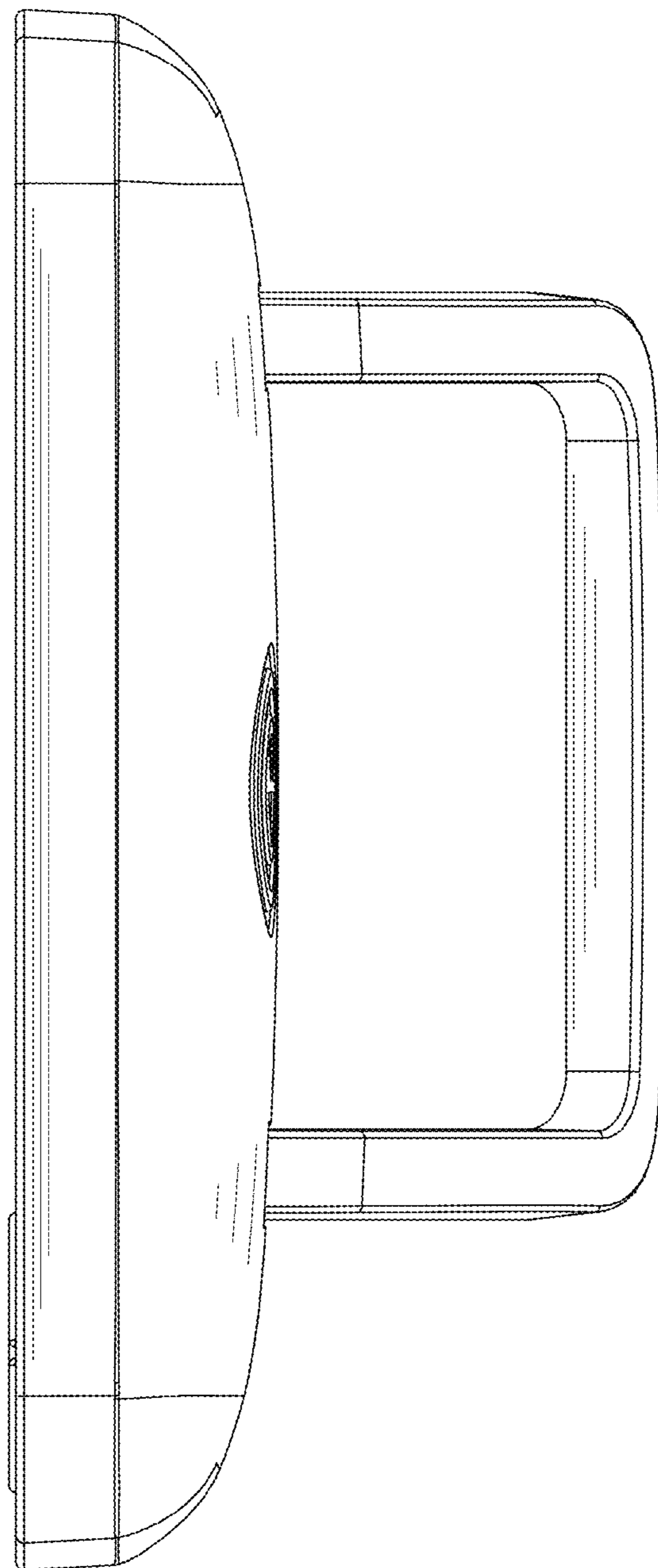


FIG.4

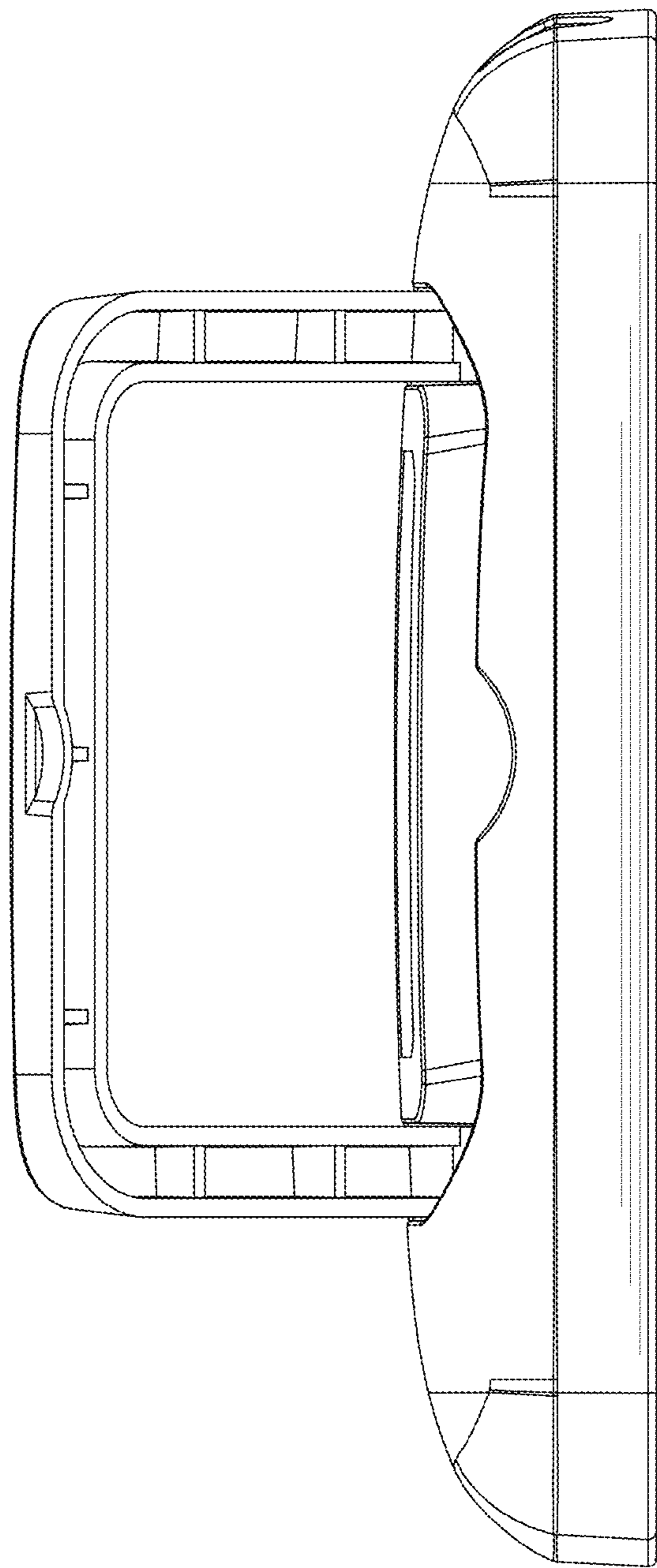


FIG.5

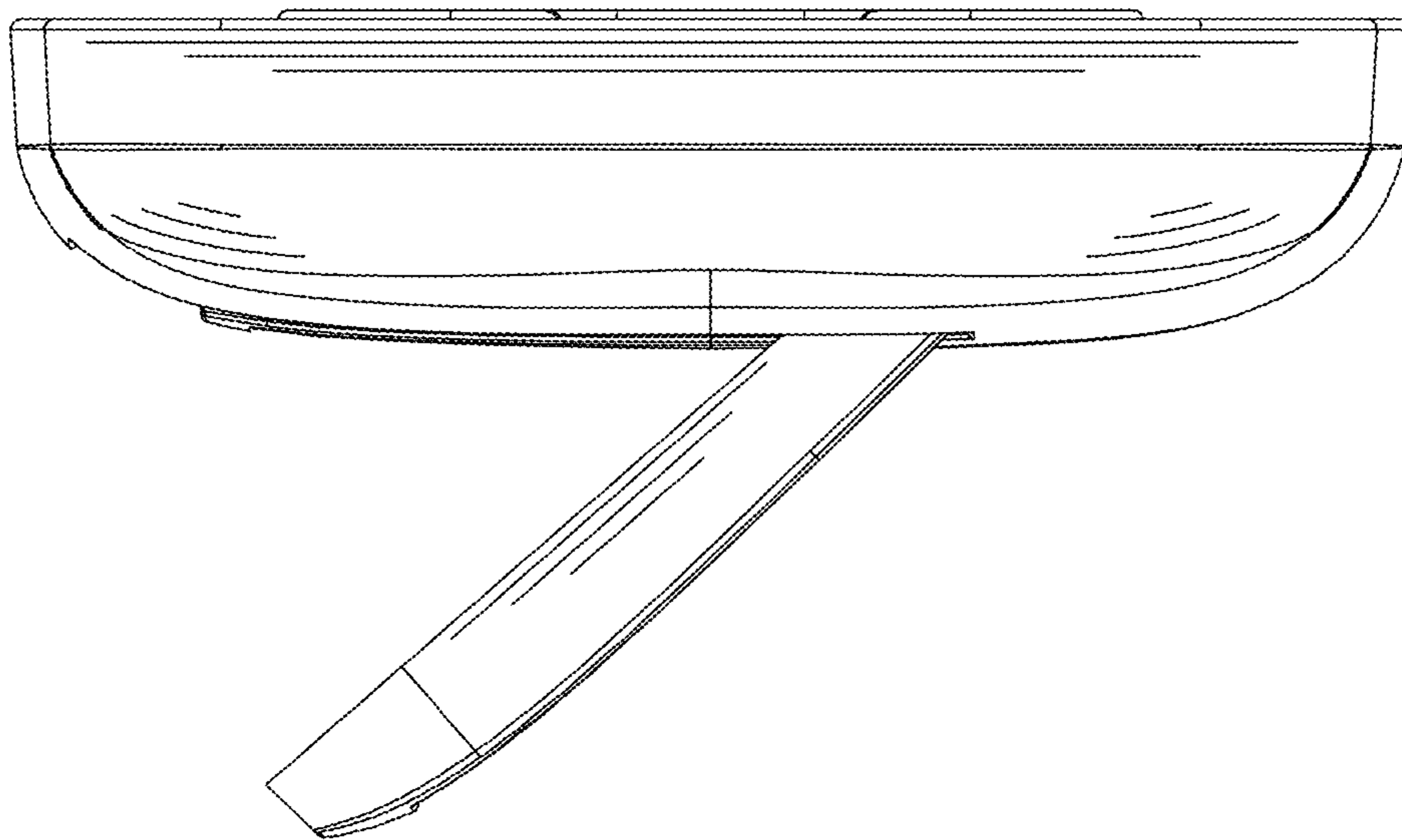


FIG. 6

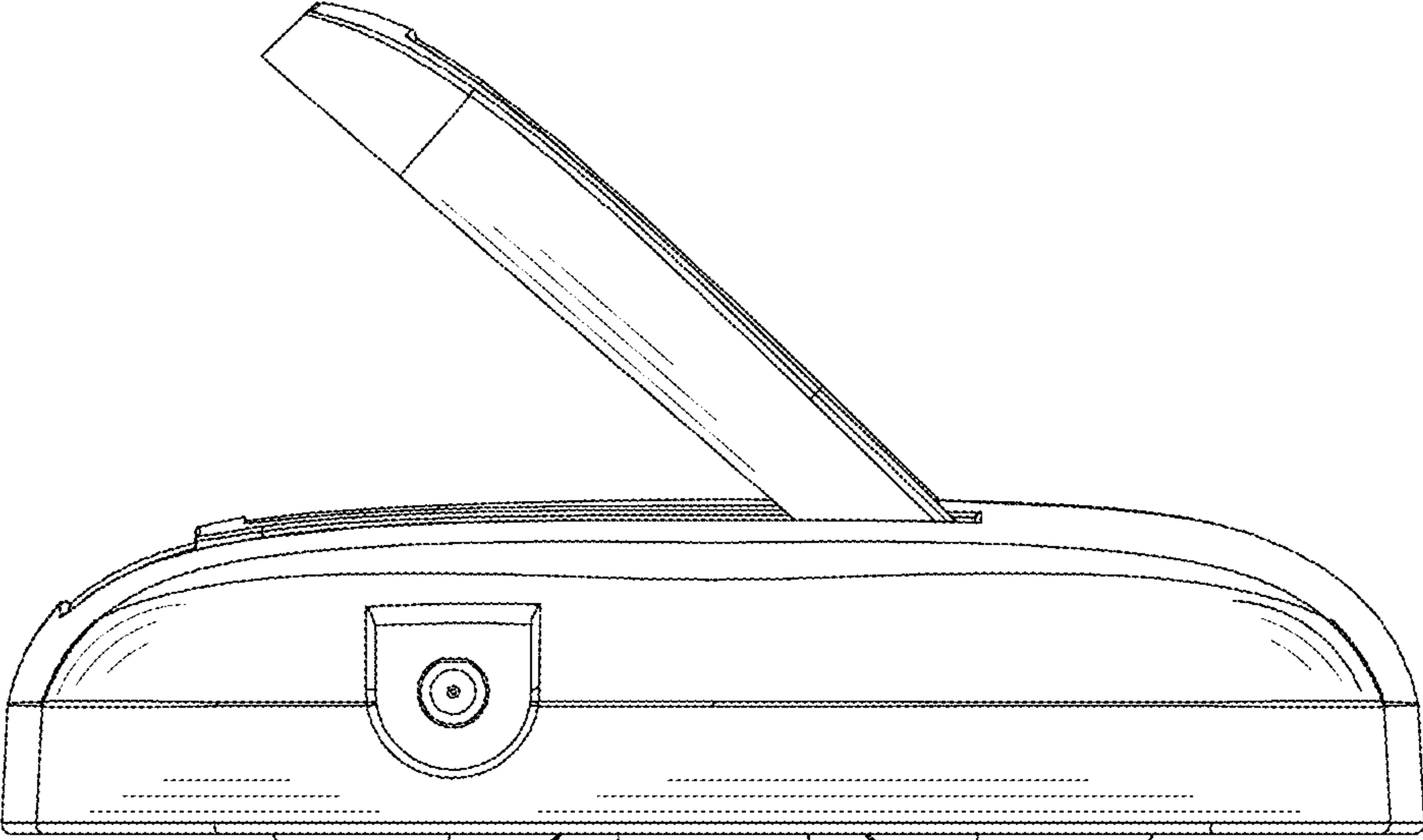


FIG.7